

US00D971876S

(12) **United States Design Patent** (10) **Patent No.:** **US D971,876 S**  
**Levine et al.** (45) **Date of Patent:** **\*\* Dec. 6, 2022**

(54) **HEADSET** 3,797,045 A \* 3/1974 Aho ..... A61F 11/14  
2/209  
(71) Applicant: **New Audio, LLC**, New York, NY (US) 3,922,725 A 12/1975 Csiki et al.  
D250,761 S 1/1979 Vong  
(72) Inventors: **Jonathan E. Levine**, New York, NY D262,019 S \* 11/1981 Upshaw ..... D14/205  
(US); **Thomas C. Wilson**, Brooklyn, 4,439,645 A 3/1984 Scalzo  
NY (US); **Marten Wallby**, Malmo (SE) 5,035,005 A 7/1991 Hung  
D328,461 S \* 8/1992 Daido ..... D14/205  
D345,163 S 3/1994 Yamatogi  
(73) Assignee: **NEW AUDIO LLC**, New York, NY 5,438,626 A 8/1995 Neuman et al.  
(US) D410,466 S 6/1999 Mouri  
D420,356 S 2/2000 Suzuki  
6,081,604 A 6/2000 Hikichi et al.  
D435,249 S 12/2000 Yasutomi

(\*\*) Term: **15 Years**  
(21) Appl. No.: **29/830,948**

(22) Filed: **Mar. 16, 2022**

**Related U.S. Application Data**

(62) Division of application No. 29/812,611, filed on Oct. 22, 2021, now Pat. No. Des. 949,825, which is a division of application No. 29/781,979, filed on May 3, 2021, now Pat. No. Des. 937,242, which is a division of application No. 29/694,702, filed on Jun. 12, 2019, now Pat. No. Des. 920,956.

(51) **LOC (13) Cl.** ..... **14-01**

(52) **U.S. Cl.**  
USPC ..... **D14/205**

(58) **Field of Classification Search**  
USPC ..... D14/205, 188, 192, 206; D29/112;  
2/209; 381/380-381, 374; 455/90.3,  
455/575.1, 569.1  
CPC ..... H04R 25/00; H04R 25/02; H04R 1/1066;  
H04R 1/1016; H04R 5/033; H04R  
5/0335; H04R 1/1041; H04R 1/1075;  
A61F 11/14  
See application file for complete search history.

(56) **References Cited**

**U.S. PATENT DOCUMENTS**

1,988,880 A \* 1/1935 Strouse ..... A61F 11/14  
2/209  
3,454,964 A 7/1969 Brinkhoff

(Continued)

**FOREIGN PATENT DOCUMENTS**

EM 004136489-0004 8/2017  
EM 008023345-0002 6/2020

(Continued)

*Primary Examiner* — Paula Allen Greene

(74) *Attorney, Agent, or Firm* — Holzer Patel Drennan

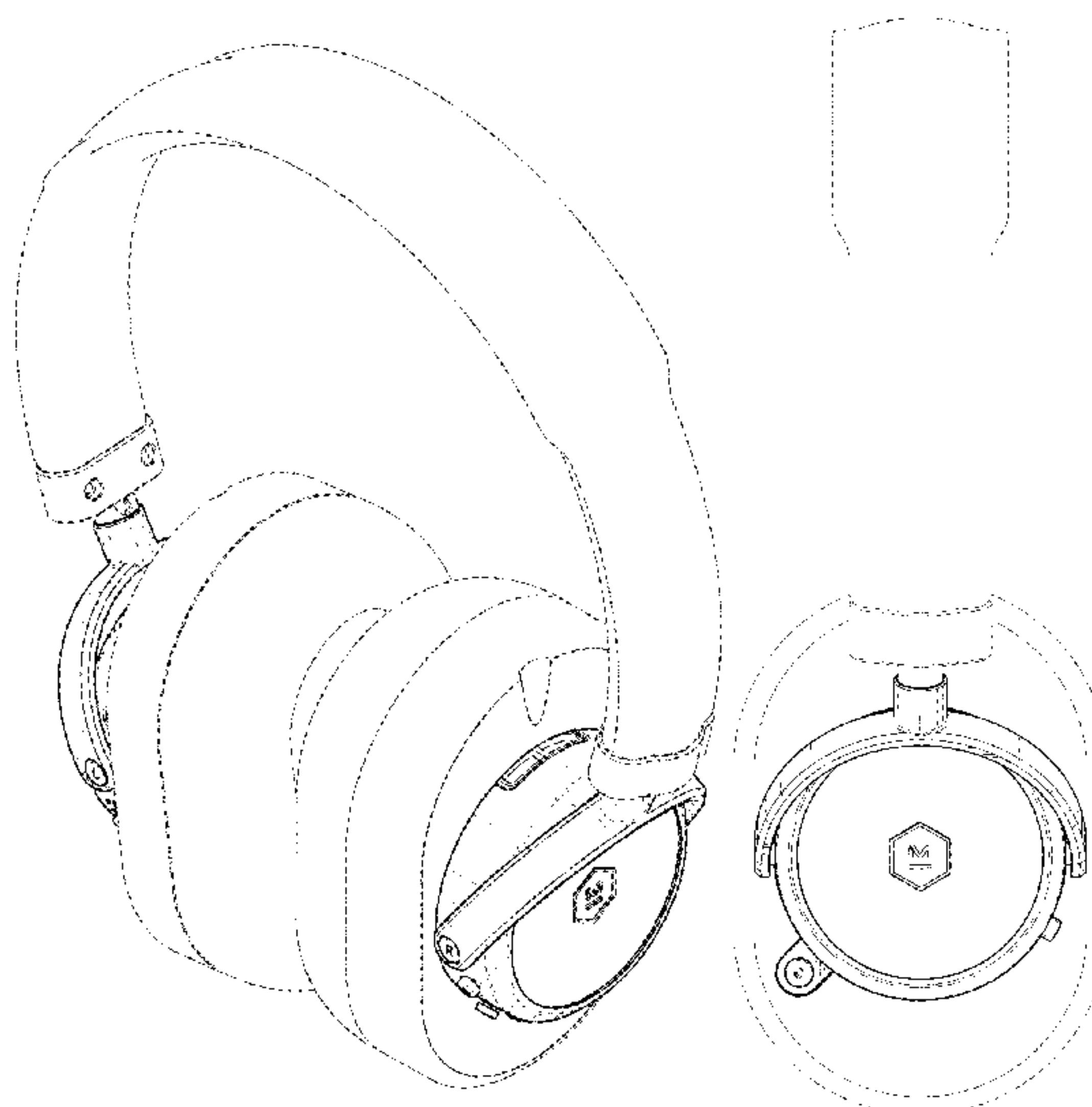
(57) **CLAIM**

The ornamental design for a headset, as shown and described.

**DESCRIPTION**

FIG. 1 is a perspective view of a headset showing our new design, as viewed from the top and front. FIG. 2 is a front elevational view thereof. FIG. 3 is a back elevational view thereof. FIG. 4 is a first side elevational view thereof. FIG. 5 is a second side elevational view thereof. FIG. 6 is a top plan view thereof; and, FIG. 7 is a bottom plan view thereof. The broken lines depict portions of the headset that forms no part of the claimed design.

**1 Claim, 5 Drawing Sheets**



(56)

References Cited

U.S. PATENT DOCUMENTS

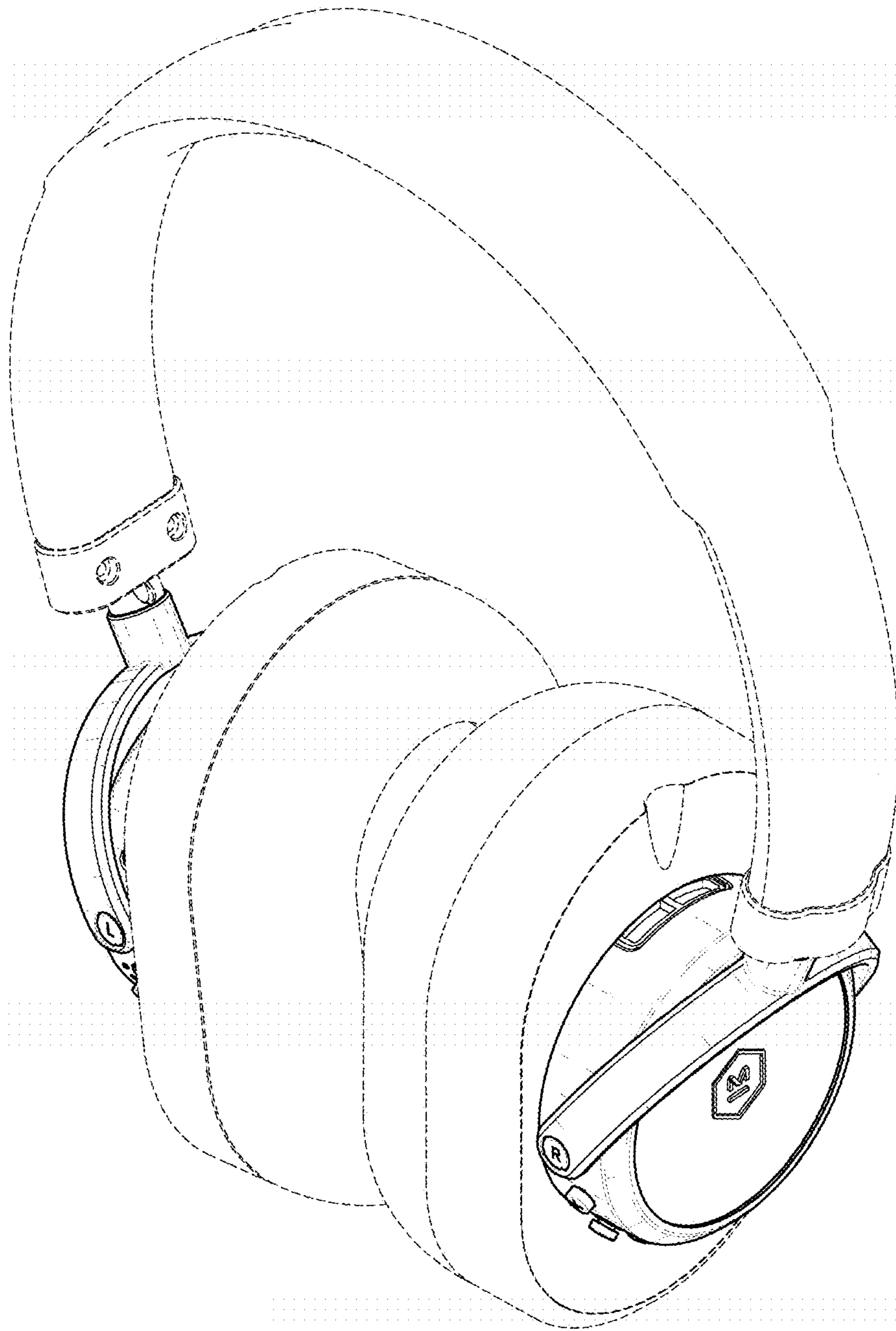
6,263,085 B1 7/2001 Weffer  
 D482,675 S \* 11/2003 Carbone ..... D14/214  
 D484,485 S \* 12/2003 Matsuoka ..... D14/205  
 6,980,165 B2 12/2005 Yuasa et al.  
 D514,087 S \* 1/2006 Wilson ..... D14/206  
 D567,215 S \* 4/2008 Lee ..... D14/205  
 7,388,960 B2 6/2008 Kuo et al.  
 D604,266 S \* 11/2009 Milde ..... D14/205  
 D639,776 S \* 6/2011 Arimoto ..... D14/205  
 D642,554 S \* 8/2011 Schaal ..... D14/205  
 D650,356 S \* 12/2011 Alden ..... D14/205  
 D662,080 S \* 6/2012 Carr ..... D14/205  
 8,325,962 B2 \* 12/2012 Ishida ..... H04R 5/0335  
 381/384  
 8,737,668 B1 \* 5/2014 Blair ..... H04R 1/1066  
 381/378  
 D713,384 S \* 9/2014 McNamara ..... D14/223  
 D727,280 S \* 4/2015 Levine ..... D14/205  
 D727,281 S \* 4/2015 Levine ..... D14/205  
 D727,289 S \* 4/2015 Czaniecki ..... D14/205  
 D728,512 S \* 5/2015 Nakagawa ..... D14/205  
 9,036,849 B2 \* 5/2015 Thompson ..... H04R 1/083  
 381/370  
 D736,174 S \* 8/2015 Levine ..... D14/205  
 D736,175 S \* 8/2015 Levine ..... D14/205  
 D746,790 S \* 1/2016 Strasberg ..... D14/205  
 D762,190 S \* 7/2016 Levine ..... D14/205  
 D762,191 S \* 7/2016 Levine ..... D14/205  
 D768,110 S \* 10/2016 Suzuki ..... D14/205  
 D772,841 S \* 11/2016 Levine ..... D14/205  
 D776,081 S \* 1/2017 Willman ..... D14/205  
 D781,265 S \* 3/2017 Levine ..... D14/205  
 D781,814 S \* 3/2017 Levine ..... D14/205  
 D781,979 S 3/2017 Lin  
 D789,327 S \* 6/2017 Miyake ..... D14/205  
 9,729,954 B2 \* 8/2017 Levine ..... H04R 1/1033  
 D800,691 S \* 10/2017 Ando ..... D14/205  
 D805,056 S \* 12/2017 Levine ..... D14/205  
 D811,365 S \* 2/2018 Czaniecki ..... D14/205  
 D812,588 S \* 3/2018 Levine ..... D14/225  
 D813,194 S \* 3/2018 Loh ..... D14/205  
 D826,895 S \* 8/2018 Sharp ..... D14/205  
 D832,811 S \* 11/2018 Levine ..... D14/205  
 D832,813 S \* 11/2018 Levine ..... D14/205  
 D851,627 S \* 6/2019 ter Laag ..... D14/205  
 D852,163 S \* 6/2019 Nagamine ..... D14/205  
 D852,166 S \* 6/2019 Levine ..... D14/205

10,327,057 B2 \* 6/2019 Levine ..... H04R 1/105  
 D857,654 S \* 8/2019 Levine ..... D14/205  
 D859,354 S \* 9/2019 Xia ..... D14/205  
 D865,706 S \* 11/2019 Li ..... D14/205  
 D877,714 S \* 3/2020 Dhondt ..... D14/205  
 D878,327 S \* 3/2020 Dhondt ..... D14/205  
 D878,329 S \* 3/2020 Levine ..... D14/205  
 D893,453 S \* 8/2020 Levine ..... D14/205  
 D900,783 S \* 11/2020 Levine ..... D14/205  
 D905,003 S \* 12/2020 Ohmachi ..... D14/205  
 D905,005 S 12/2020 Liu  
 D905,658 S \* 12/2020 Levine ..... D14/205  
 D920,283 S \* 5/2021 Levine ..... D14/205  
 D920,956 S \* 6/2021 Levine ..... D14/206  
 D928,117 S \* 8/2021 Levine ..... D14/206  
 D937,242 S \* 11/2021 Levine ..... D14/205  
 D949,825 S \* 4/2022 Levine ..... D14/205  
 2003/0210801 A1 11/2003 Naksen et al.  
 2004/0216946 A1 11/2004 Lenhard-Backhaus  
 2005/0053255 A1 3/2005 Harris et al.  
 2005/0238189 A1 10/2005 Tsai  
 2005/0266875 A1 12/2005 Yegin et al.  
 2008/0056525 A1 3/2008 Fujiwara et al.  
 2008/0175406 A1 7/2008 Smith  
 2009/0003616 A1 1/2009 Kleinschmidt et al.  
 2010/0177907 A1 7/2010 Morisawa  
 2012/0093334 A1 4/2012 Schreuder et al.  
 2014/0105414 A1 4/2014 Rois et al.  
 2016/0079660 A1 \* 3/2016 Bevelacqua ..... H01Q 9/065  
 343/702  
 2016/0205461 A1 \* 7/2016 Fernandez-Medina .....  
 H01Q 1/243  
 381/74  
 2017/0041697 A1 \* 2/2017 Levine ..... H04R 1/1066  
 2017/0295420 A1 10/2017 Yeung et al.  
 2018/0020277 A1 \* 1/2018 Briggs ..... H04R 1/105  
 2019/0156814 A1 \* 5/2019 Eguchi ..... G10K 11/17881

FOREIGN PATENT DOCUMENTS

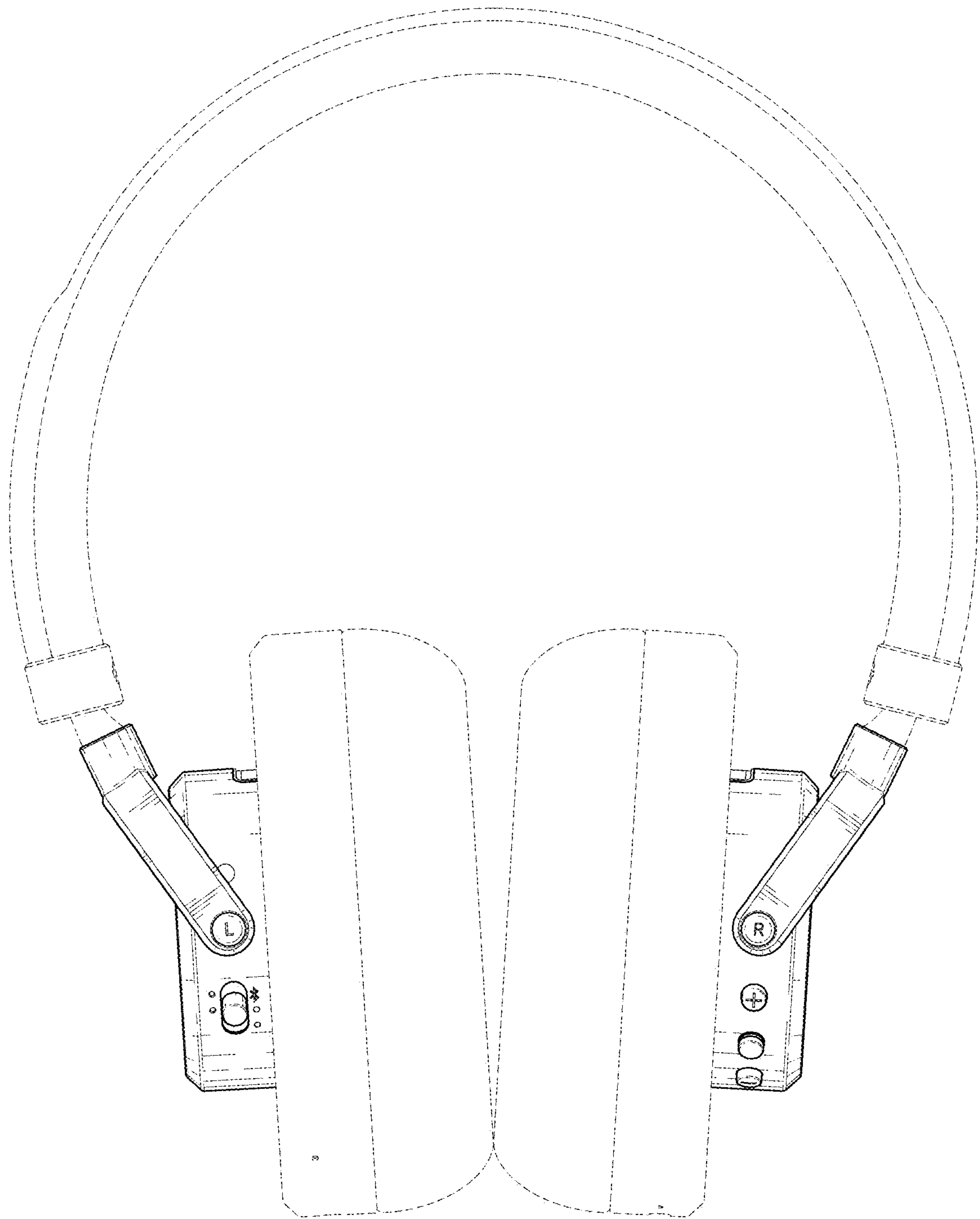
GB 8008028526-0002 7/2020  
 HK 1600209-0001 \* 2/2016  
 JP 2013078014 A 4/2013  
 JP 2015026948 A 2/2015  
 JP D1666731 \* 8/2020  
 JP D1666731 S 8/2020  
 JP D1668810 \* 9/2020  
 JP D1668811 \* 9/2020  
 JP D1683717 \* 3/2021

\* cited by examiner

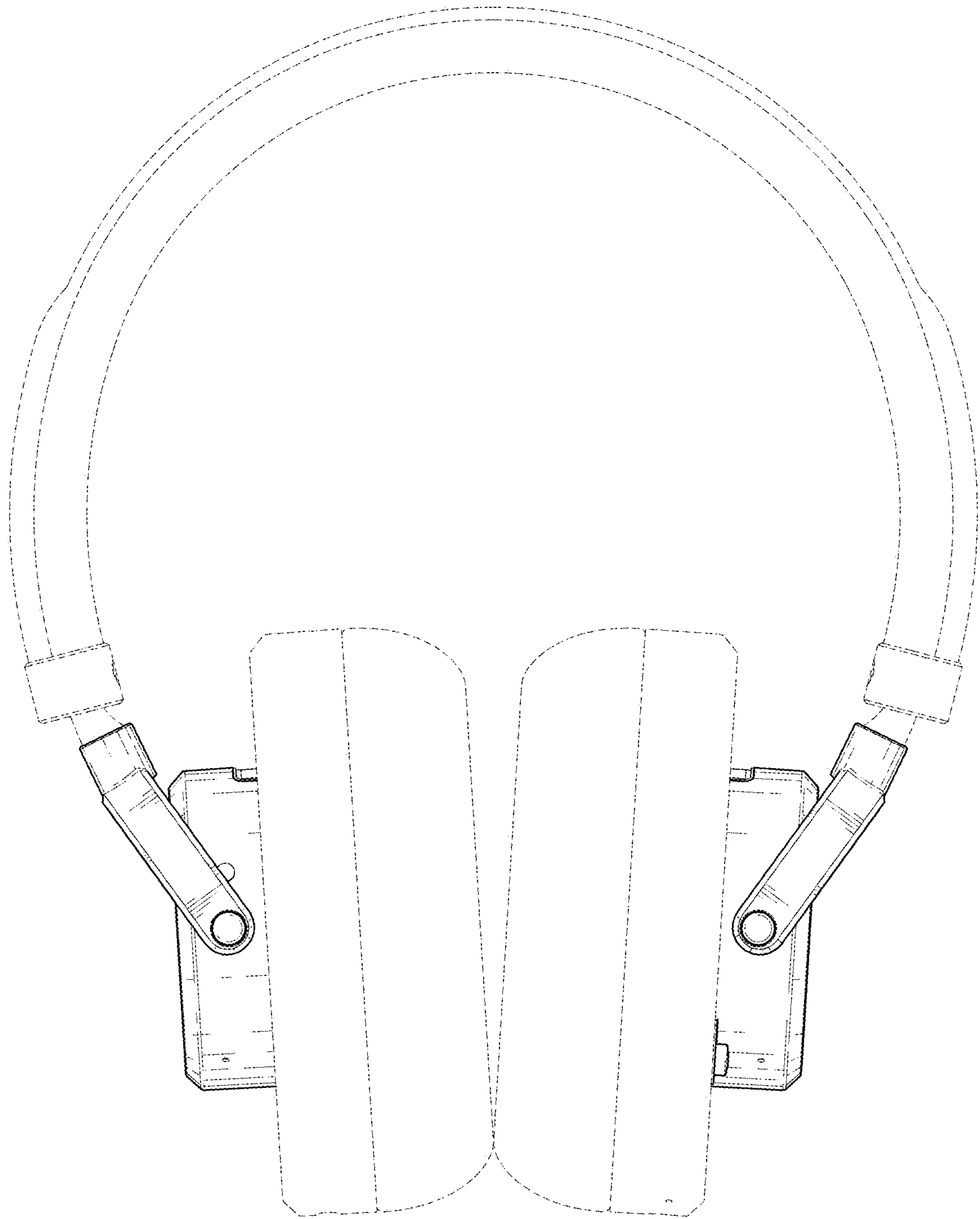


*Fig. 1*

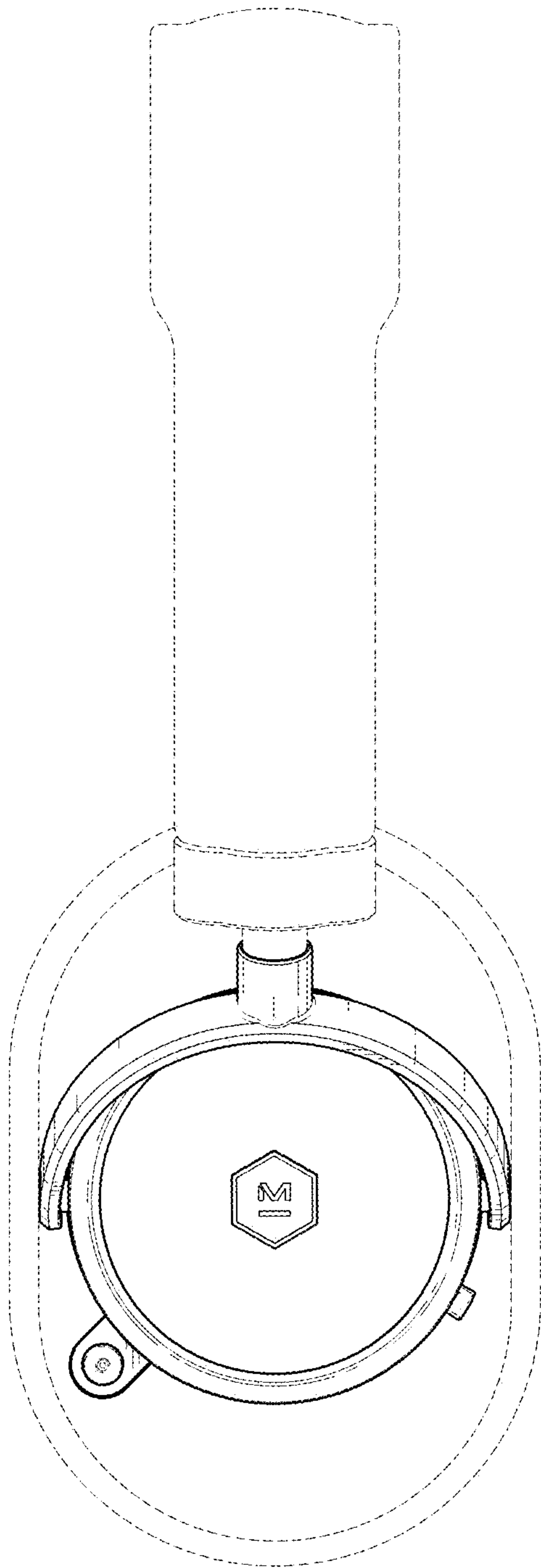




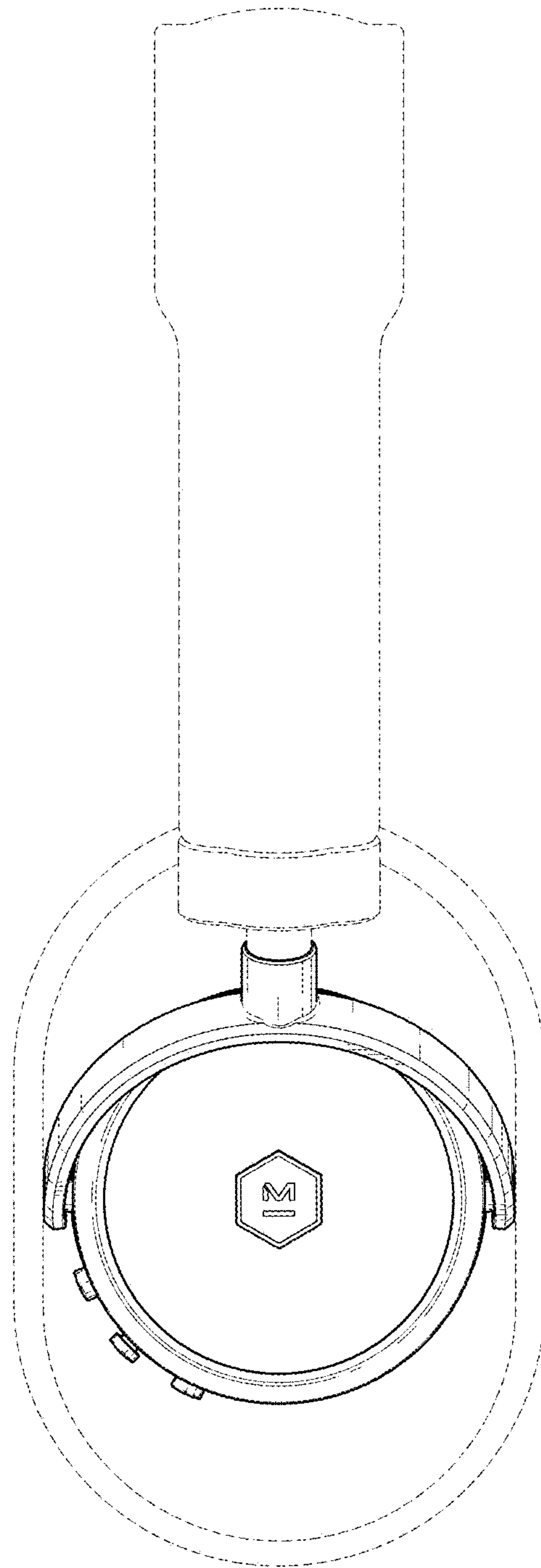
*Fig. 2*



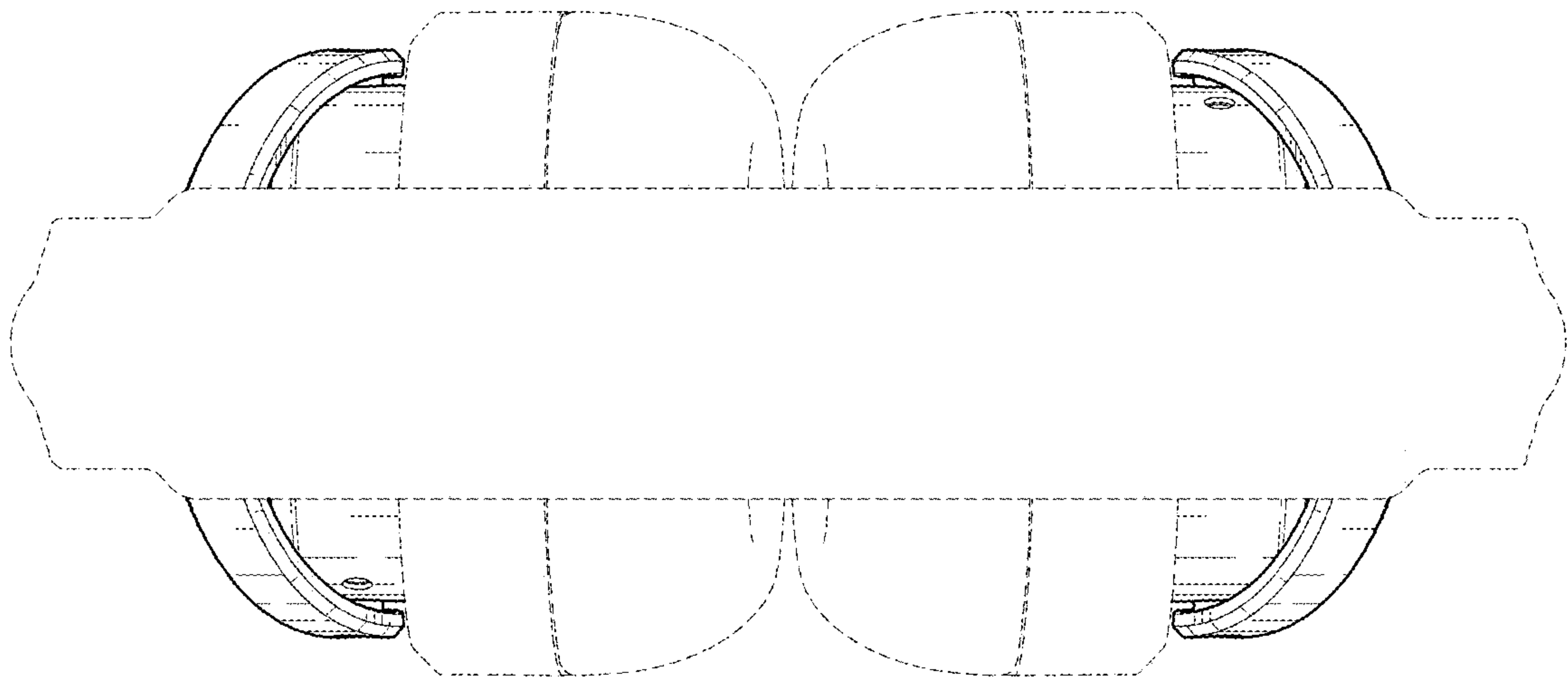
*Fig. 3*



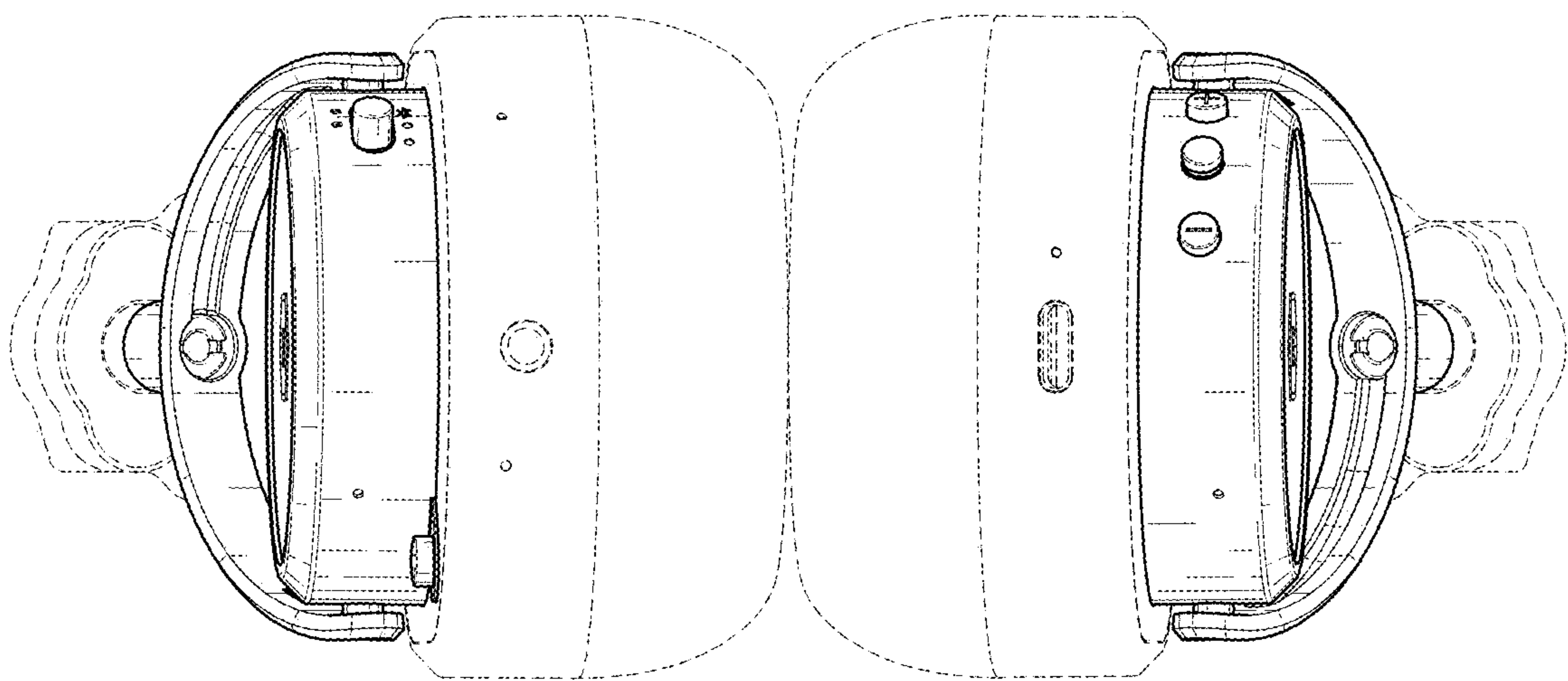
*Fig. 4*



*Fig. 5*



*Fig. 6*



*Fig. 7*