



US00D971874S

(12) **United States Design Patent**
Yoshimura

(10) **Patent No.:** **US D971,874 S**
(45) **Date of Patent:** **** Dec. 6, 2022**

(54) **HEADPHONE**

(71) Applicant: **JVCKENWOOD Corporation,**
Yokohama (JP)

(72) Inventor: **Satoshi Yoshimura,** Yokohama (JP)

(73) Assignee: **JVCKENWOOD Corporation,**
Yokohama (JP)

(**) Term: **15 Years**

(21) Appl. No.: **29/761,566**

(22) Filed: **Dec. 10, 2020**

(30) **Foreign Application Priority Data**

Sep. 17, 2020 (JP) 2020-019856 D

(51) **LOC (13) Cl.** **14-01**

(52) **U.S. Cl.**
USPC **D14/205**

(58) **Field of Classification Search**
USPC D14/205, 188, 192; D29/112; 2/209;
D13/103; 429/162; 381/380, 381, 370
CPC H04R 25/00; H04R 25/02; H04R 1/10;
H04R 1/1066; H04R 1/1016; H04R
5/033; H04R 5/0335; H04R 1/1008; H02J
7/0044; H01T 23/00
See application file for complete search history.

(56) **References Cited**

U.S. PATENT DOCUMENTS

- 3,457,117 A * 7/1969 Angelovich H01M 50/167
429/177
- 4,121,020 A * 10/1978 Epstein H01M 6/14
429/185
- D328,074 S * 7/1992 Yamazaki D14/205
- 5,576,117 A * 11/1996 Morita H01M 50/166
429/162
- D427,144 S * 6/2000 Buckle D13/103

- D575,734 S * 8/2008 Groh D13/119
- D582,890 S * 12/2008 Koza D14/205
- D585,871 S * 2/2009 Lee D14/205
- D591,263 S * 4/2009 Shimizu D14/205
- 7,717,226 B2 * 5/2010 Purcell A61F 11/14
381/372
- D634,298 S * 3/2011 Shimizu D14/205
- D634,732 S * 3/2011 Kondo D14/205
- D639,775 S * 6/2011 Horibe D14/205
- D639,776 S * 6/2011 Arimoto D14/205
- 8,098,872 B2 * 1/2012 Chang H04R 1/1075
381/370

(Continued)

FOREIGN PATENT DOCUMENTS

- CN 305509821 * 12/2019
- EM 008277826-0002 * 11/2020

(Continued)

Primary Examiner — Paula Allen Greene

(74) *Attorney, Agent, or Firm* — Amin, Turocy & Watson,
LLP

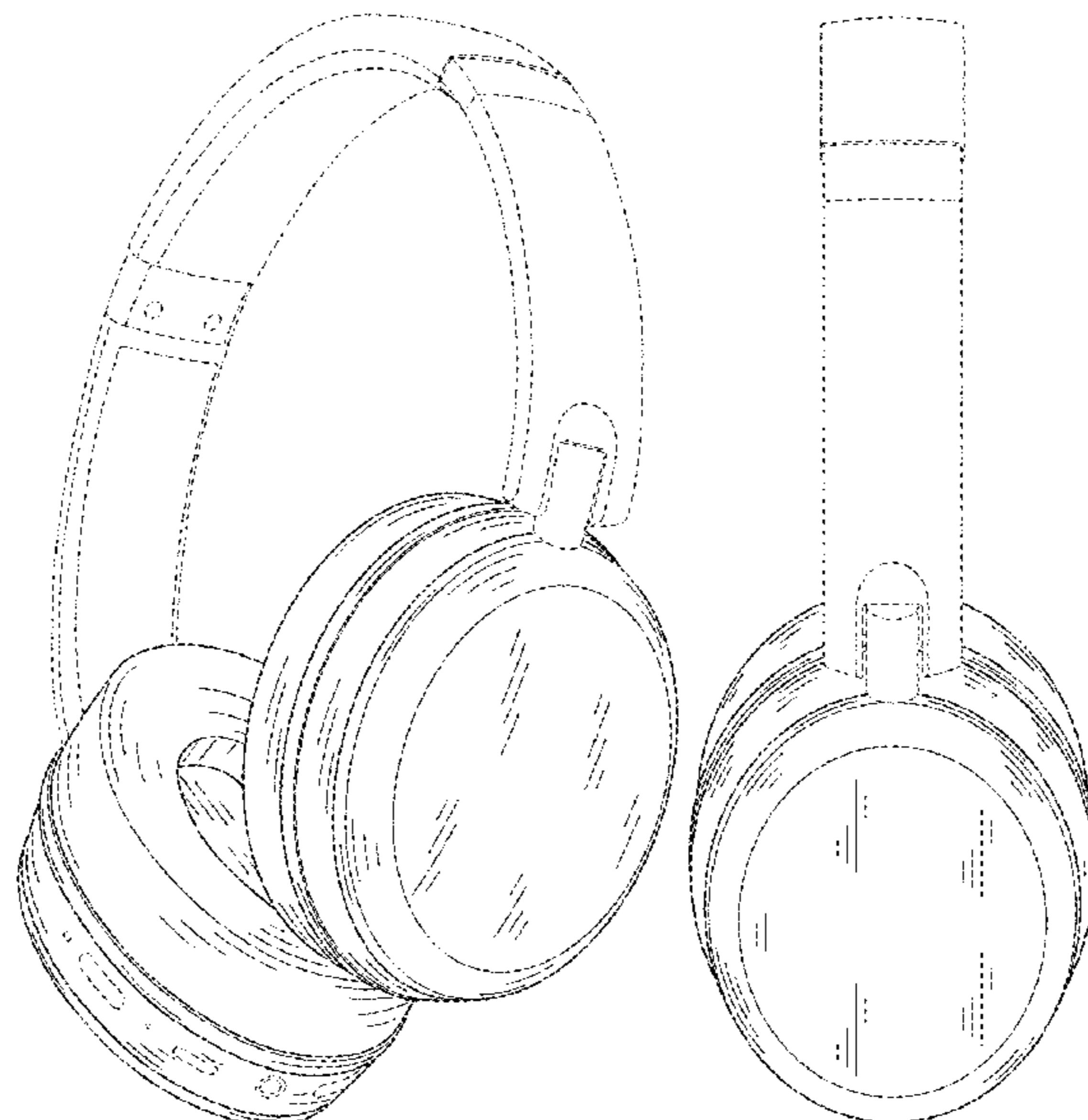
(57) **CLAIM**

The ornamental design for a headphone, as shown and described.

DESCRIPTION

FIG. 1 is a right, front, and bottom perspective view of a headphone;
 FIG. 2 is a left, rear, and bottom perspective view thereof;
 FIG. 3 is a front elevational view thereof;
 FIG. 4 is a rear elevational view thereof;
 FIG. 5 is a top plan view thereof;
 FIG. 6 is a bottom plan view thereof;
 FIG. 7 is a left side elevational view thereof; and,
 FIG. 8 is a right side elevational view thereof.
 The broken lines shown in the drawings illustrate portions of the headphone that form no part of the claimed design.

1 Claim, 8 Drawing Sheets



(56)

References Cited

U.S. PATENT DOCUMENTS

D657,776 S * 4/2012 Lee D14/205
 D658,156 S * 4/2012 Olodort D14/205
 D662,080 S * 6/2012 Carr D14/205
 D678,860 S * 3/2013 Hagelin D14/205
 D683,329 S * 5/2013 Hagelin D14/205
 D684,140 S * 6/2013 Enquist D14/205
 D691,109 S * 10/2013 Hardi D14/205
 D695,262 S * 12/2013 Starck D14/205
 D708,163 S * 7/2014 Ishikura D14/205
 8,767,996 B1 * 7/2014 Lin H04R 1/1091
 381/370
 8,923,525 B2 * 12/2014 Saideh H04R 1/1041
 381/384
 D725,630 S * 3/2015 Nakagawa D14/205
 D727,289 S * 4/2015 Czaniecki D14/205
 D728,512 S * 5/2015 Nakagawa D14/205
 D733,090 S * 6/2015 Petersen D14/205
 D794,601 S * 8/2017 Riggs D14/205
 D794,602 S * 8/2017 Riggs D14/205
 D794,603 S * 8/2017 Riggs D14/205
 D837,764 S * 1/2019 Xiao D14/205
 D847,778 S * 5/2019 Hardi D14/205

D856,303 S * 8/2019 Ando D14/205
 D858,483 S * 9/2019 Hu D14/205
 D859,353 S * 9/2019 Wagner D14/205
 D864,155 S * 10/2019 Liu D14/206
 D888,008 S * 6/2020 Yook D14/205
 D890,123 S * 7/2020 Yoshimura D14/205
 D927,452 S * 8/2021 Paterson D14/205
 D927,454 S * 8/2021 Treski D14/205
 D933,041 S * 10/2021 Rois D14/205
 D945,981 S * 3/2022 Rois D14/205
 D949,822 S * 4/2022 Yoshimura D14/205
 2008/0180874 A1 * 7/2008 Gauger H02J 7/0044
 361/235
 2017/0230746 A1 * 8/2017 Silvestri G10K 11/162
 2019/0222916 A1 * 7/2019 Kim H04R 1/105
 2019/0373353 A1 * 12/2019 Yuen H02J 50/10
 2022/0085628 A1 * 3/2022 Stephan A61H 23/02

FOREIGN PATENT DOCUMENTS

EM 008781702-0001 * 12/2021
 GB 9005652120-0001 * 9/2018
 GB 9008277826-0002 * 11/2020

* cited by examiner

Fig. 1

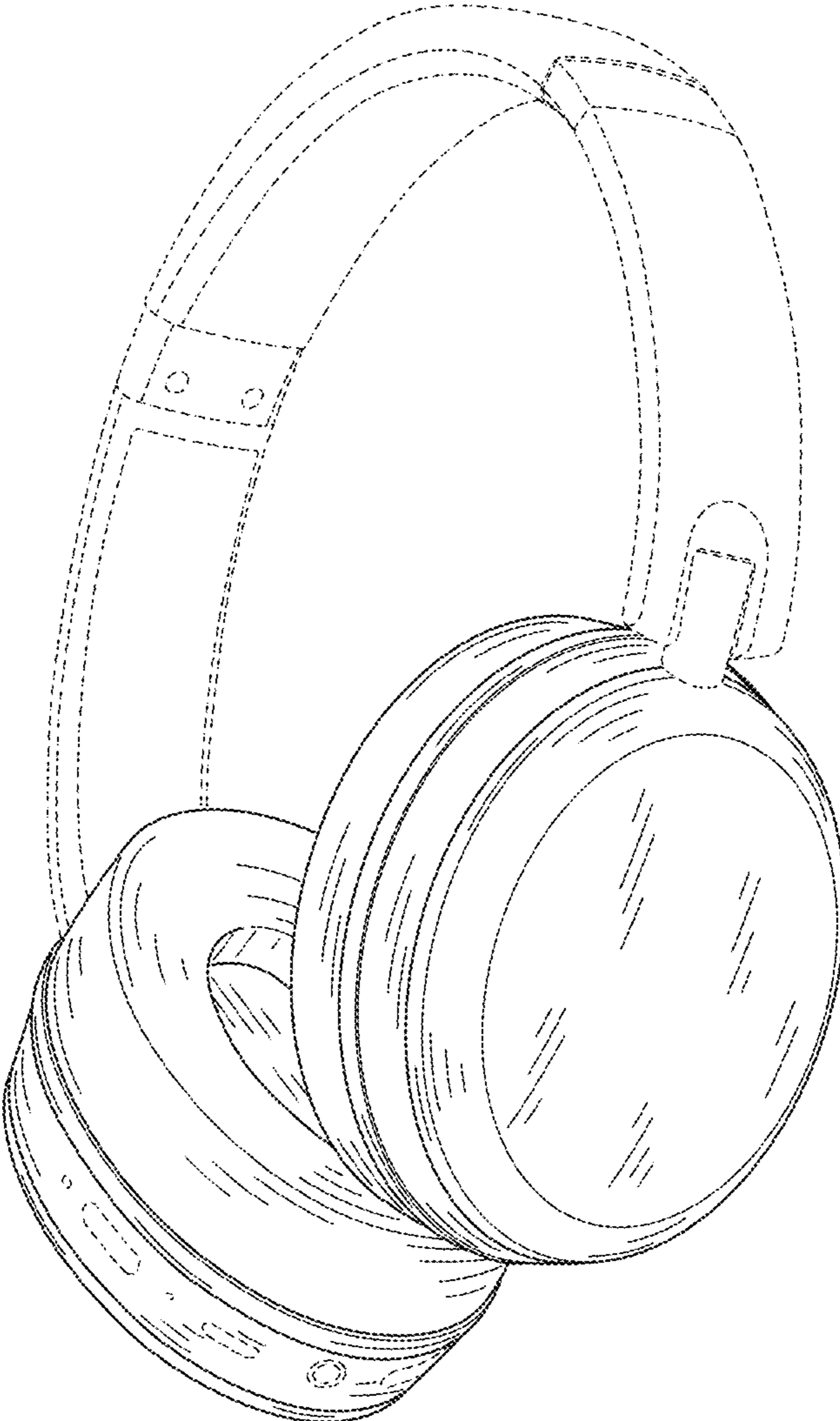


Fig.2

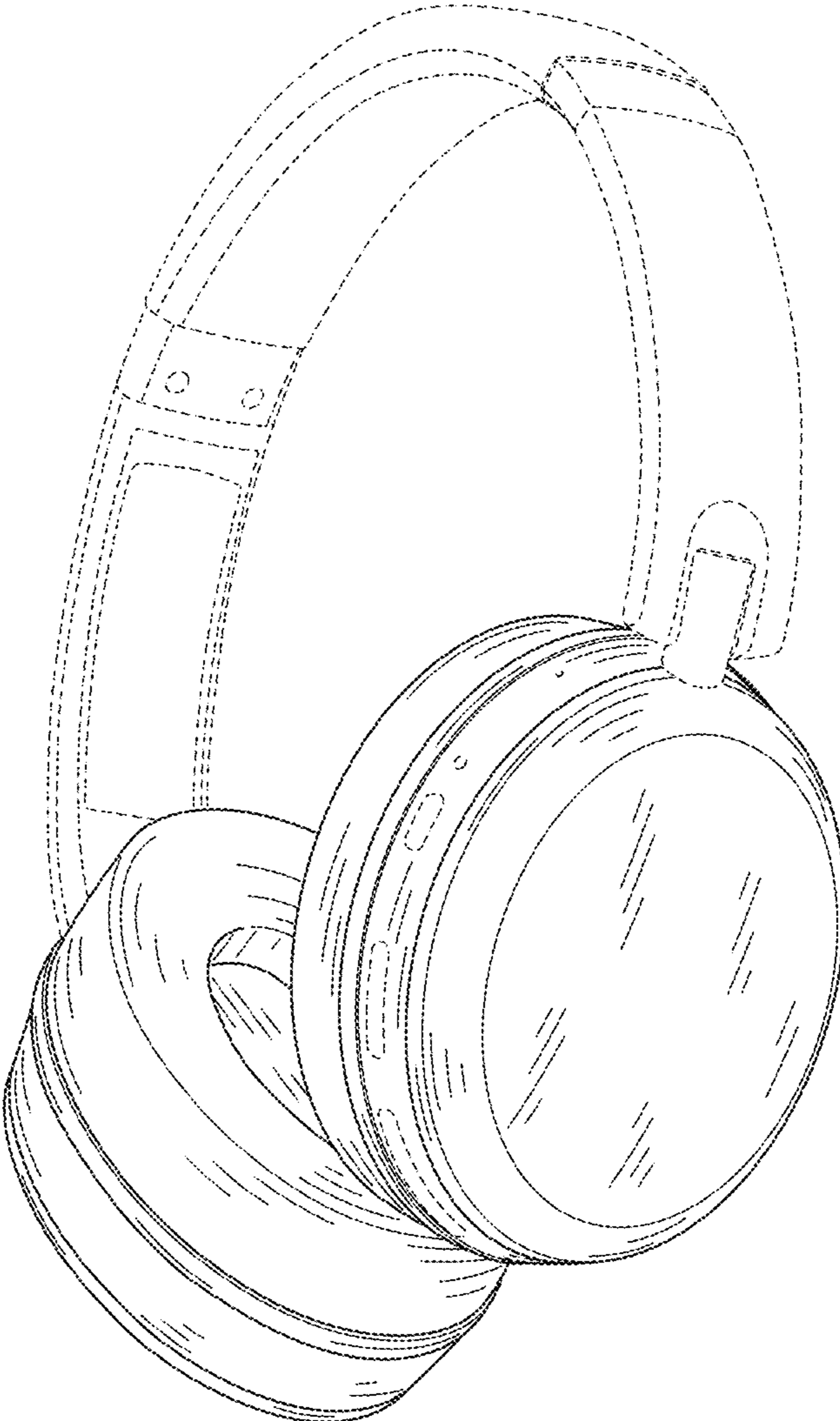


Fig.3



Fig.4



Fig.5

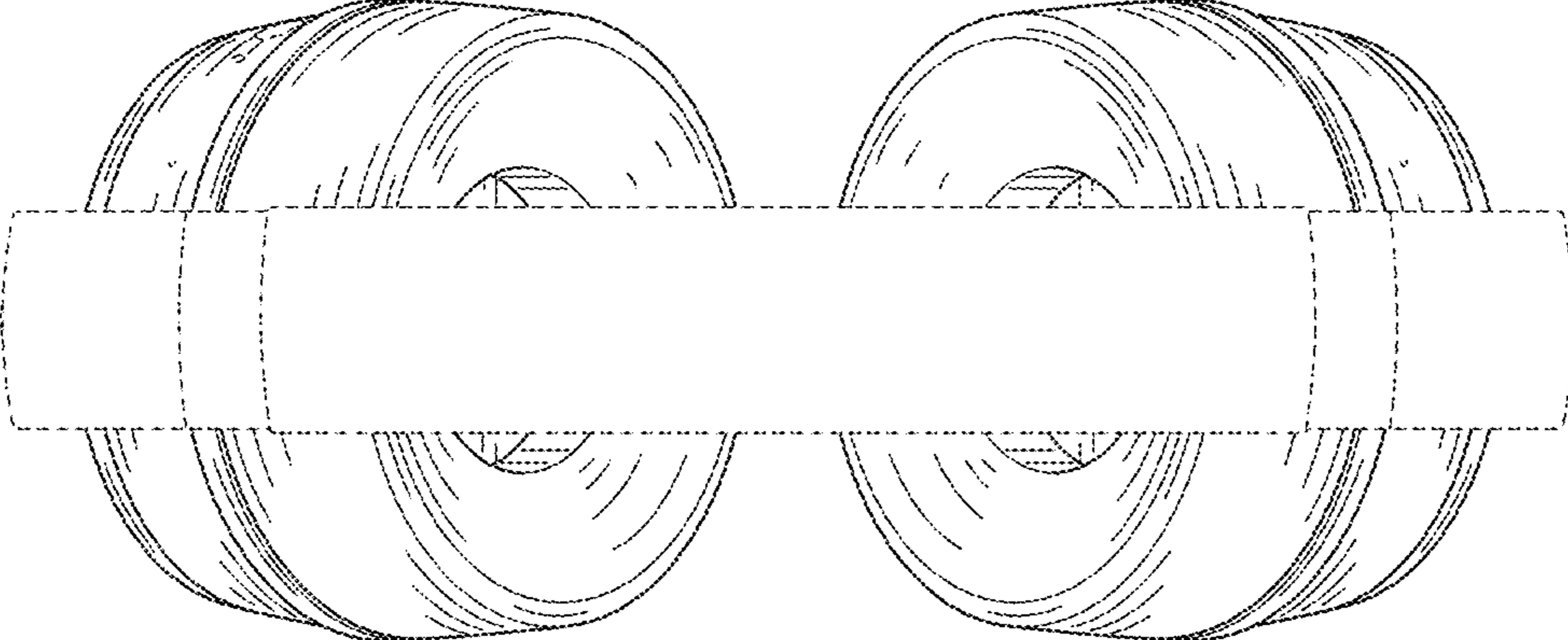


Fig.6

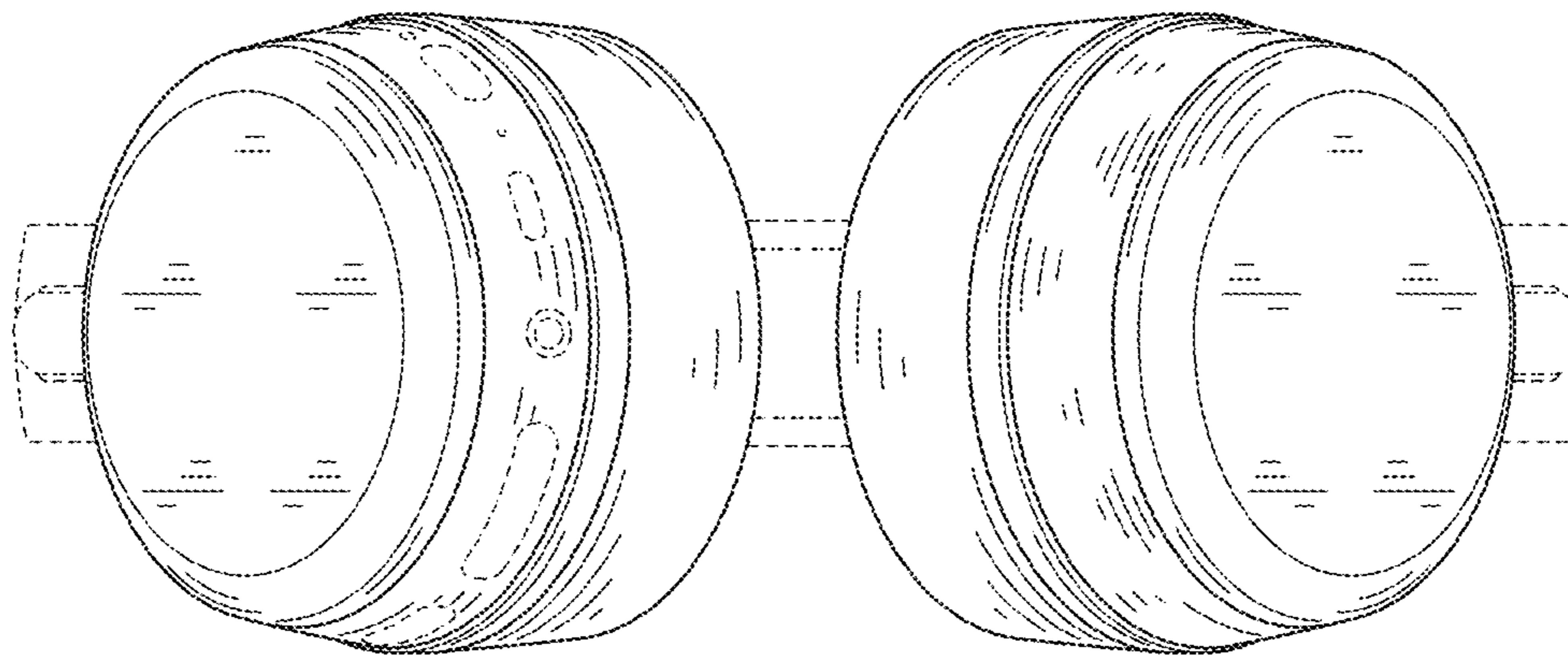


Fig.7

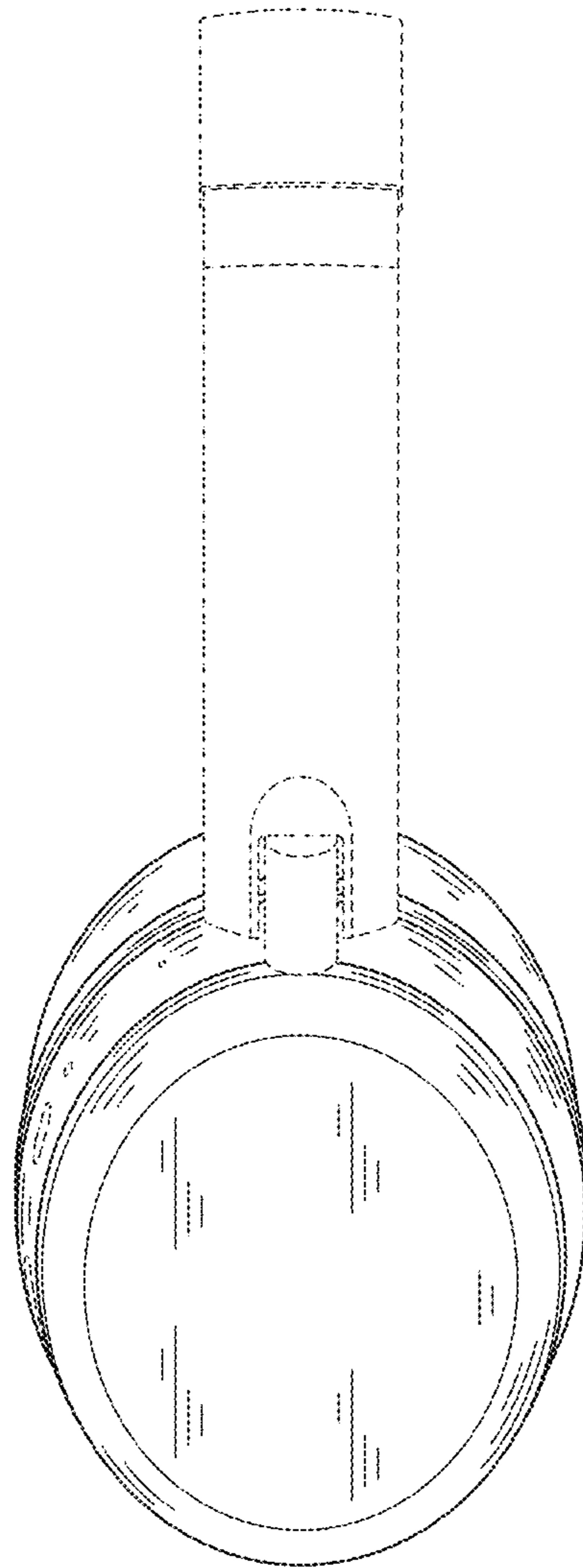


Fig.8

