



US00D971870S

(12) **United States Design Patent** (10) **Patent No.:** **US D971,870 S**  
**Li** (45) **Date of Patent:** **\*\* Dec. 6, 2022**

(54) **HEAD COVER**

(71) Applicant: **Shenzhen ZhuoSiJia Trading Co., Ltd., Shenzhen (CN)**

(72) Inventor: **Nengwen Li, Hunan Province (CN)**

(\*\*) Term: **15 Years**

(21) Appl. No.: **29/835,235**

(22) Filed: **Apr. 18, 2022**

(51) **LOC (13) Cl.** ..... **14-03**

(52) **U.S. Cl.**

USPC ..... **D14/192; D2/866; D24/191**

(58) **Field of Classification Search**

USPC ..... **D2/865, 866, 875; D14/174, 192, 203.5, D14/205; D16/301; D24/189, 190, 191; D5/1, 3, 47, 60**

See application file for complete search history.

(56) **References Cited**

**U.S. PATENT DOCUMENTS**

D131,308 S *	2/1942	Selver	.....	D5/47
D284,080 S *	6/1986	Swezey	.....	D2/866
D315,812 S *	3/1991	Cionni	.....	D29/112
D410,051 S *	5/1999	Sassak	.....	D21/698
D661,104 S *	6/2012	Wall	.....	D5/47
D685,915 S *	7/2013	Reams	.....	A61F 5/3707
				D24/191
D734,950 S *	7/2015	Ju	.....	D5/47
D787,163 S *	5/2017	Yates		
D828,569 S *	9/2018	Mercuro	.....	D24/191
D829,416 S *	10/2018	Lin	.....	D2/865
D832,558 S *	11/2018	Hawes	.....	D2/875
D844,301 S *	4/2019	Greenblat	.....	D29/108
D861,772 S *	10/2019	Lian	.....	D16/301
D870,062 S *	12/2019	Peng	.....	D2/866
D872,975 S *	1/2020	Mistry	.....	D2/828
D907,220 S *	1/2021	Brown	.....	D24/191
D907,688 S *	1/2021	Du	.....	D16/301
D913,984 S *	3/2021	Li	.....	D14/192

D918,991 S *	5/2021	Du	.....	D16/301
D919,243 S *	5/2021	Guo	.....	D2/878
D932,459 S *	10/2021	Liu	.....	D14/205
D938,381 S *	12/2021	Li	.....	D16/301
D946,549 S *	3/2022	Wang	.....	D14/205
D950,077 S *	4/2022	Wang	.....	D24/191
D952,594 S *	5/2022	Guo	.....	D14/172
D959,403 S *	8/2022	Li	.....	D14/205
D959,404 S *	8/2022	Li	.....	D14/205

(Continued)

**OTHER PUBLICATIONS**

Double Chin Reduce Headphone Headband | amazon.com; date first available Apr. 20, 2022 [online]. © 1996-2022, Amazon.com, Inc [retrieved Sep. 6, 2022] from Internet: <<https://www.amazon.com/Headphone-Headband-Sleepbeauty-Reusable-Headphones/dp/B09YDCP5KJ>> (Year: 2022).\*

(Continued)

*Primary Examiner* — Katherine Glennon

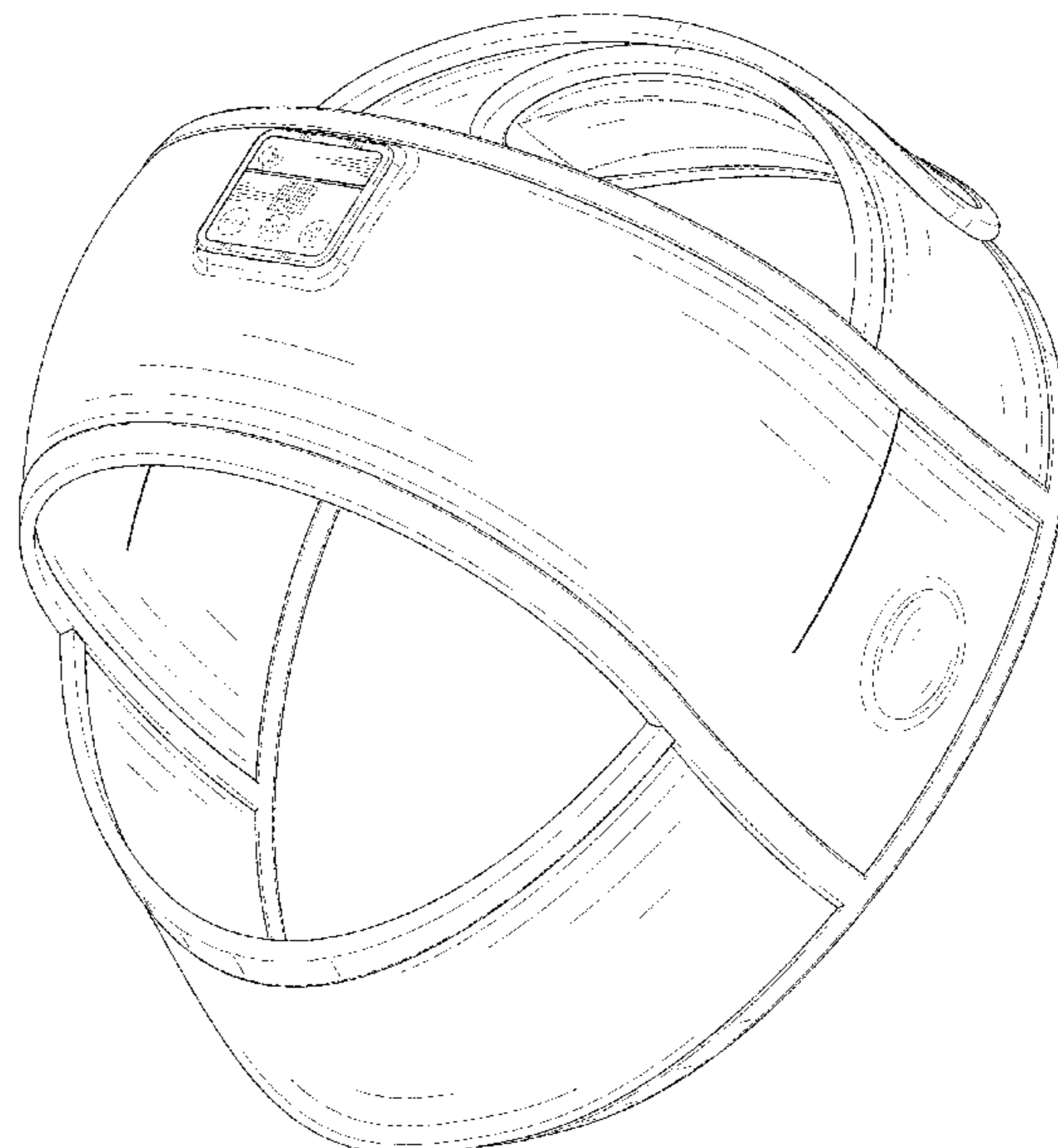
(57) **CLAIM**

The ornamental design for a head cover, as shown and described.

**DESCRIPTION**

FIG. 1 is a front and top perspective view of a head cover, showing my new design; FIG. 2 is a rear and bottom perspective view thereof; FIG. 3 is a front elevation view thereof; FIG. 4 is a rear elevation view thereof; FIG. 5 is a left side elevation view thereof; FIG. 6 is a right side elevation view thereof; FIG. 7 is a top plan view thereof; and, FIG. 8 is a bottom plan view thereof. The broken lines in the figures illustrate portions of the head cover that form no part of the claimed design.

**1 Claim, 8 Drawing Sheets**



(56)

**References Cited**

U.S. PATENT DOCUMENTS

D965,550 S \* 10/2022 Liu ..... D14/192  
D965,552 S \* 10/2022 Wang ..... D14/192  
2017/0251741 A1 \* 9/2017 Wang ..... H04R 5/0335

OTHER PUBLICATIONS

Sleepbeauty Double Chin Reduce Headband with Headphones | amazon.com; date not available [online]. © 1996-2022, Amazon.com, Inc [retrieved Oct. 6, 2022] from Internet: <<https://www.amazon.com/Headband-Headphones-Sleepbeauty-Reusable-Headphone/dp/B09YDB9MYH>> (Year: 2022).\*

\* cited by examiner



FIG. 1

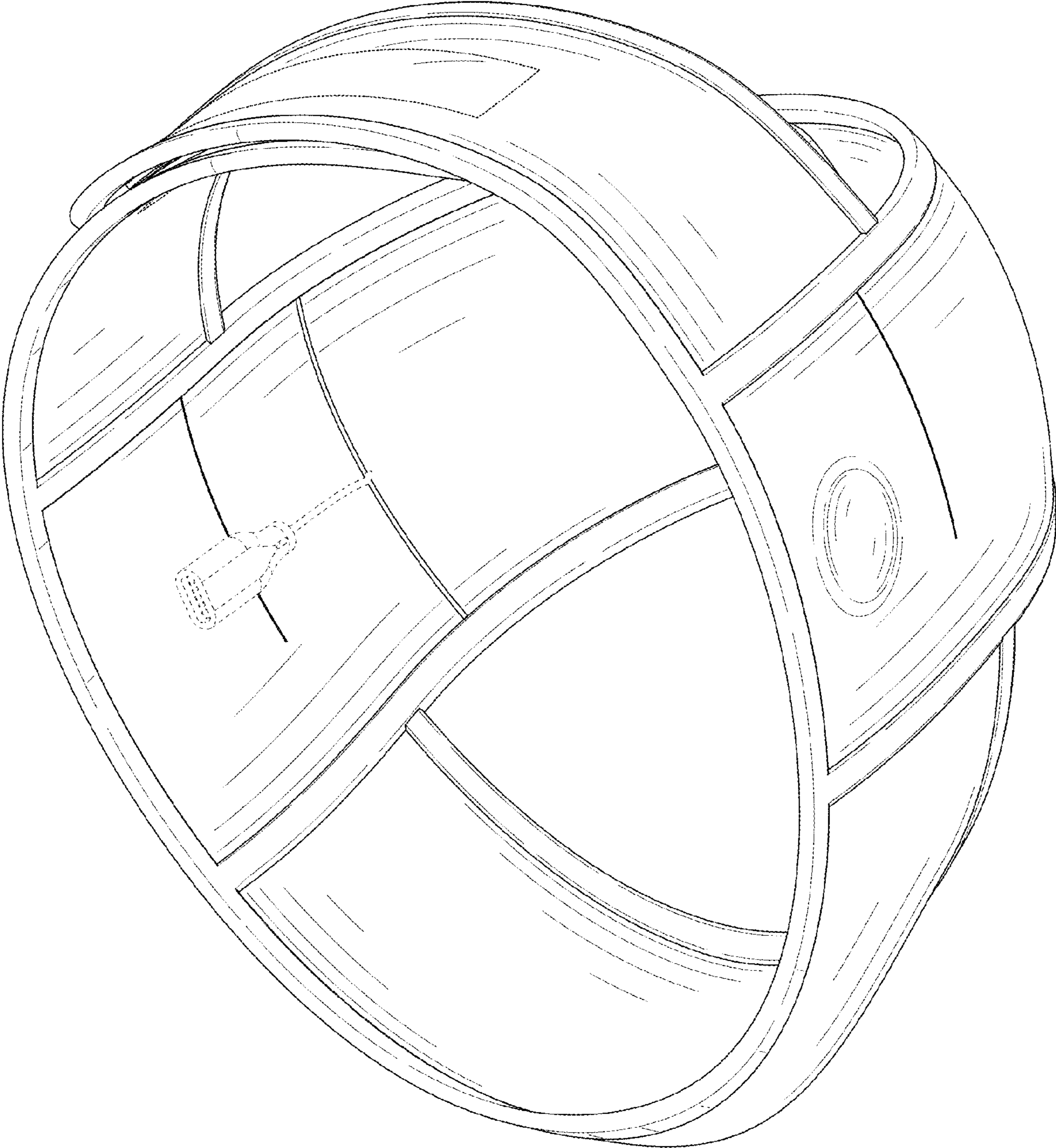


FIG. 2

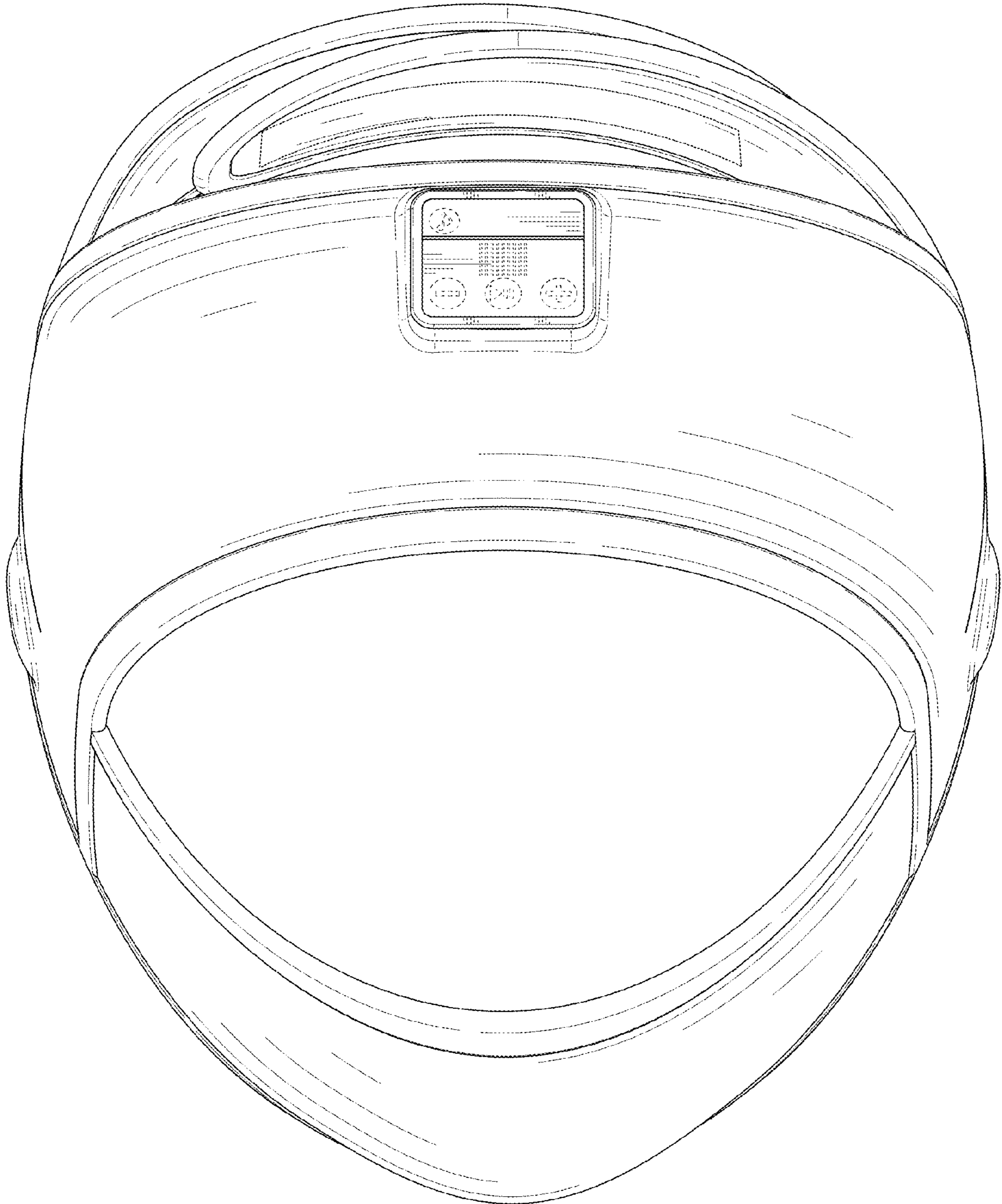


FIG. 3

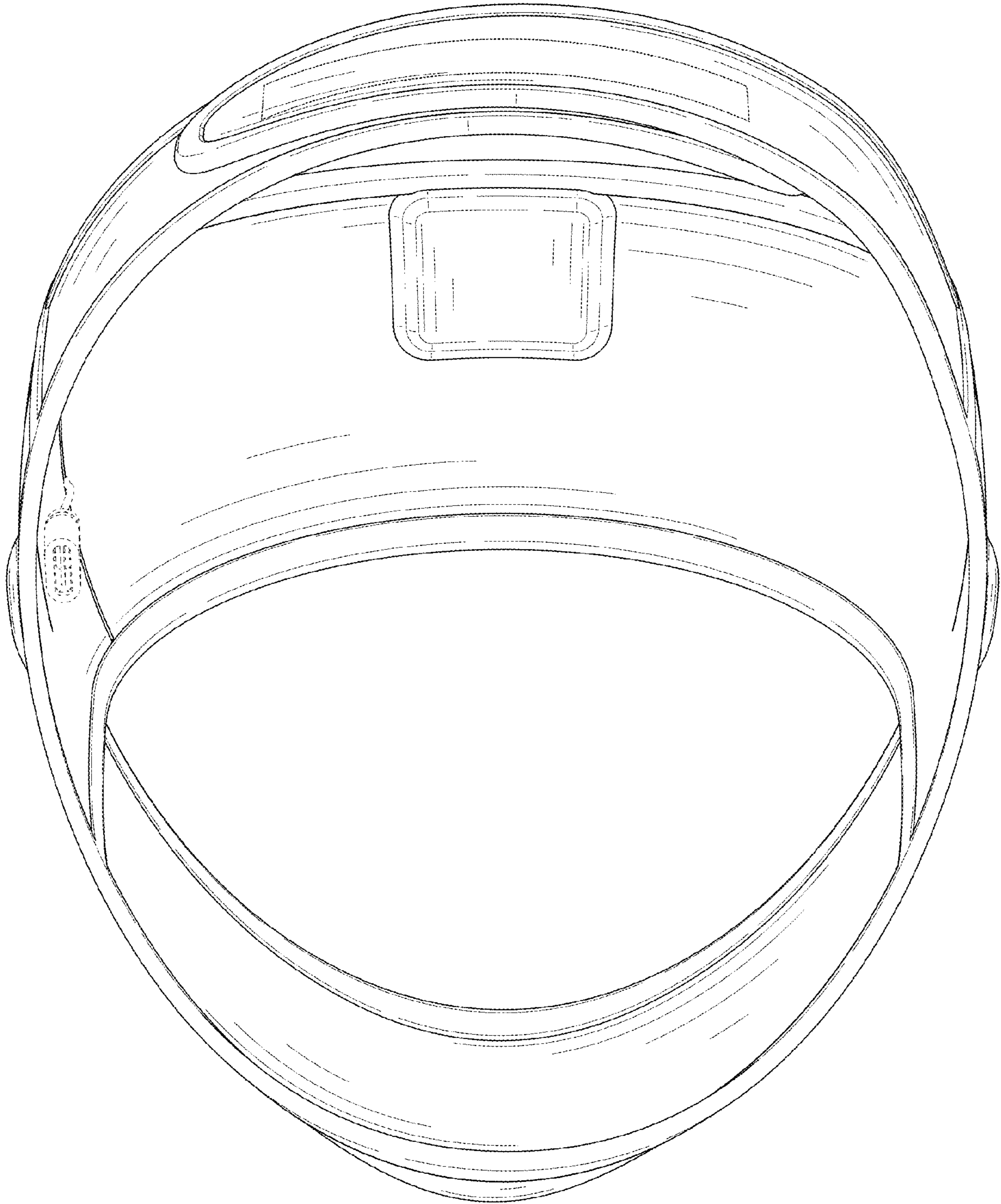


FIG. 4

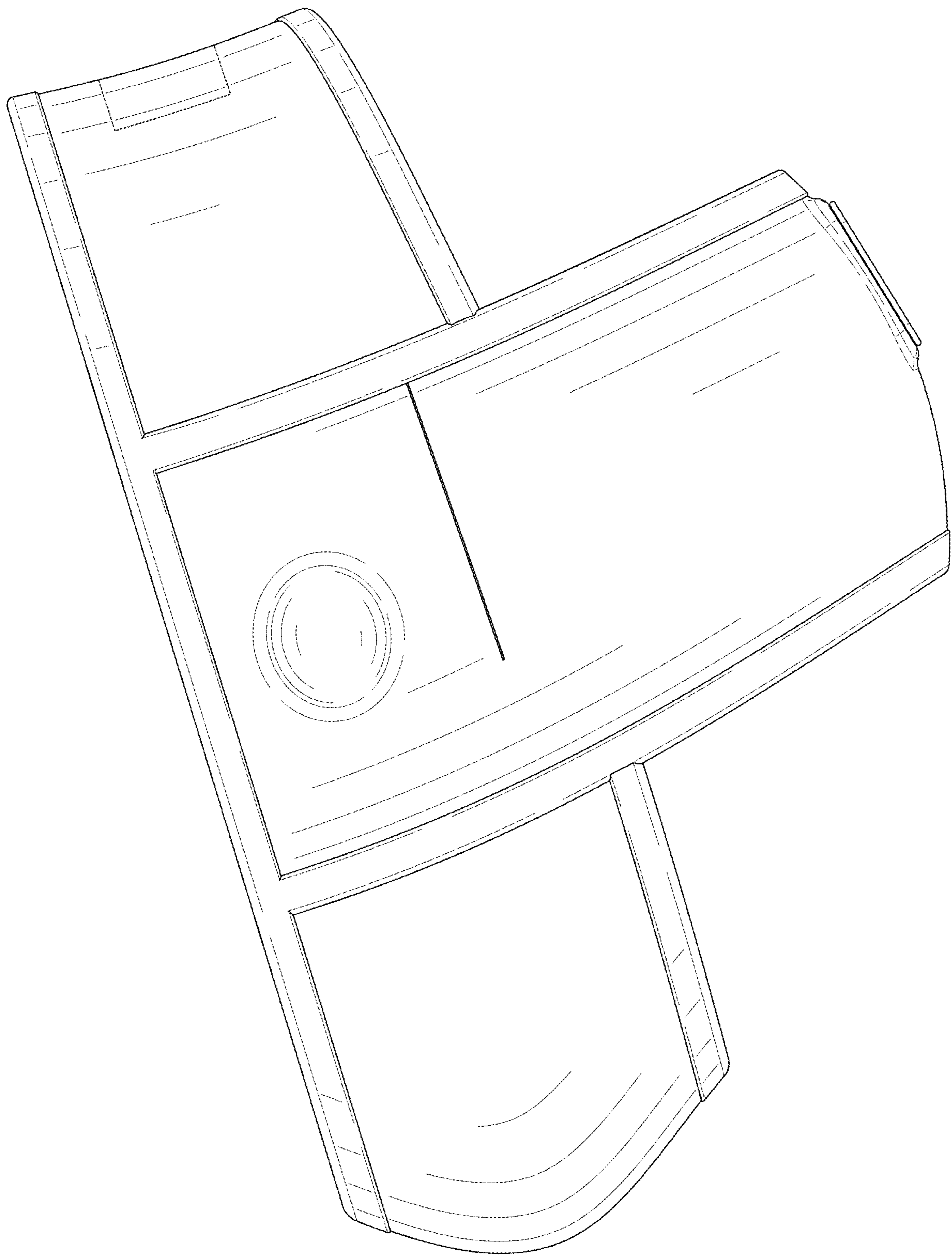


FIG. 5

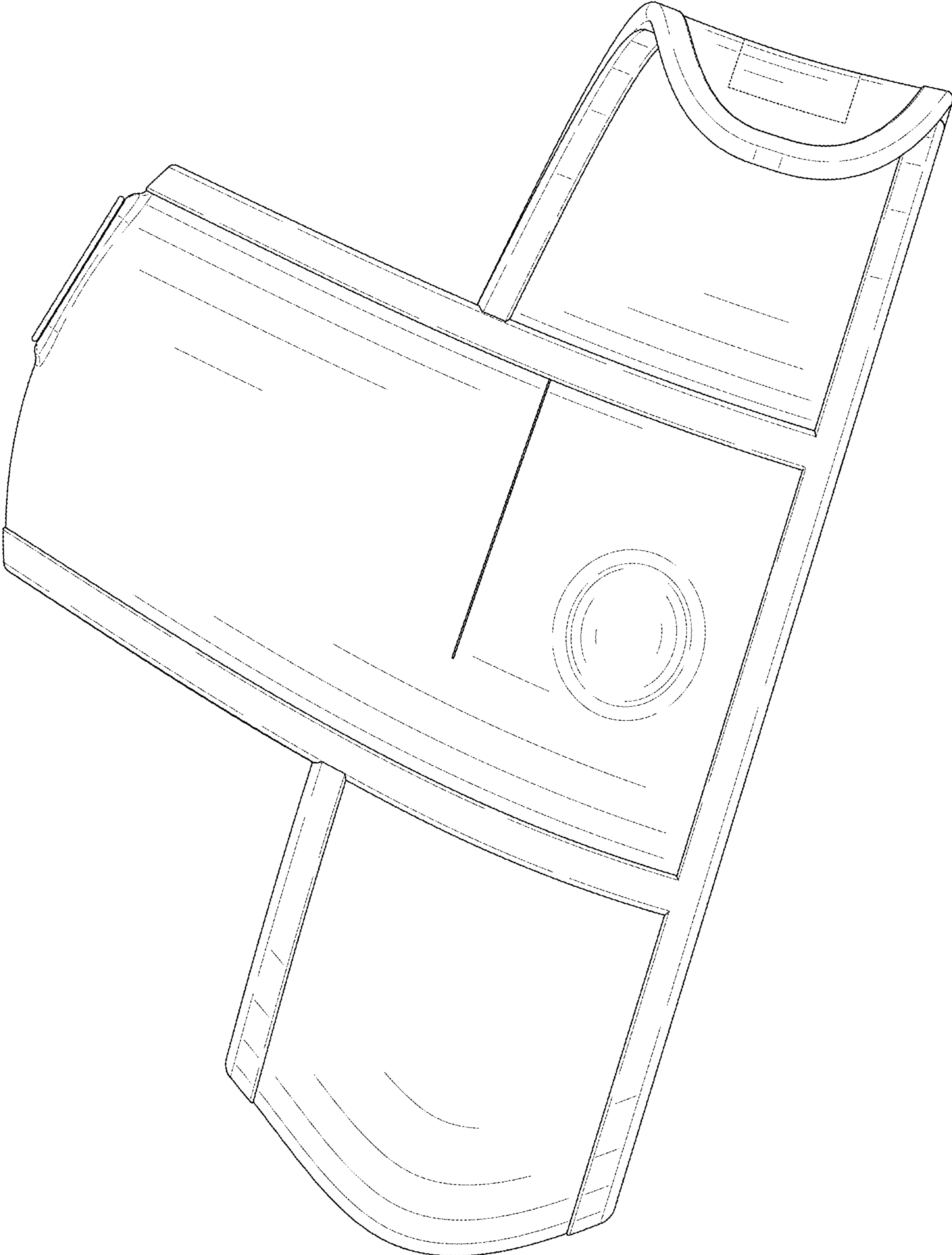


FIG. 6



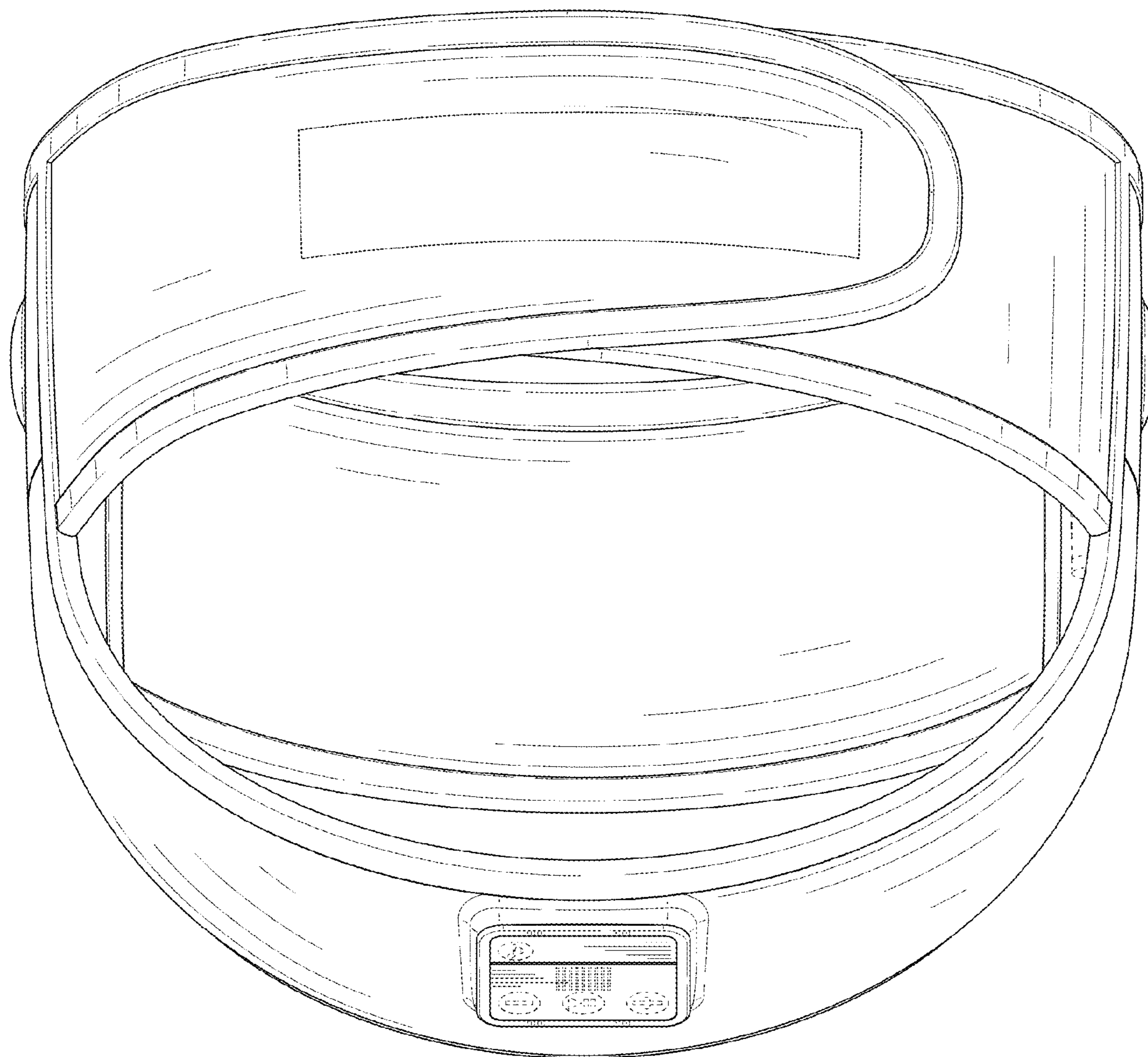


FIG. 7

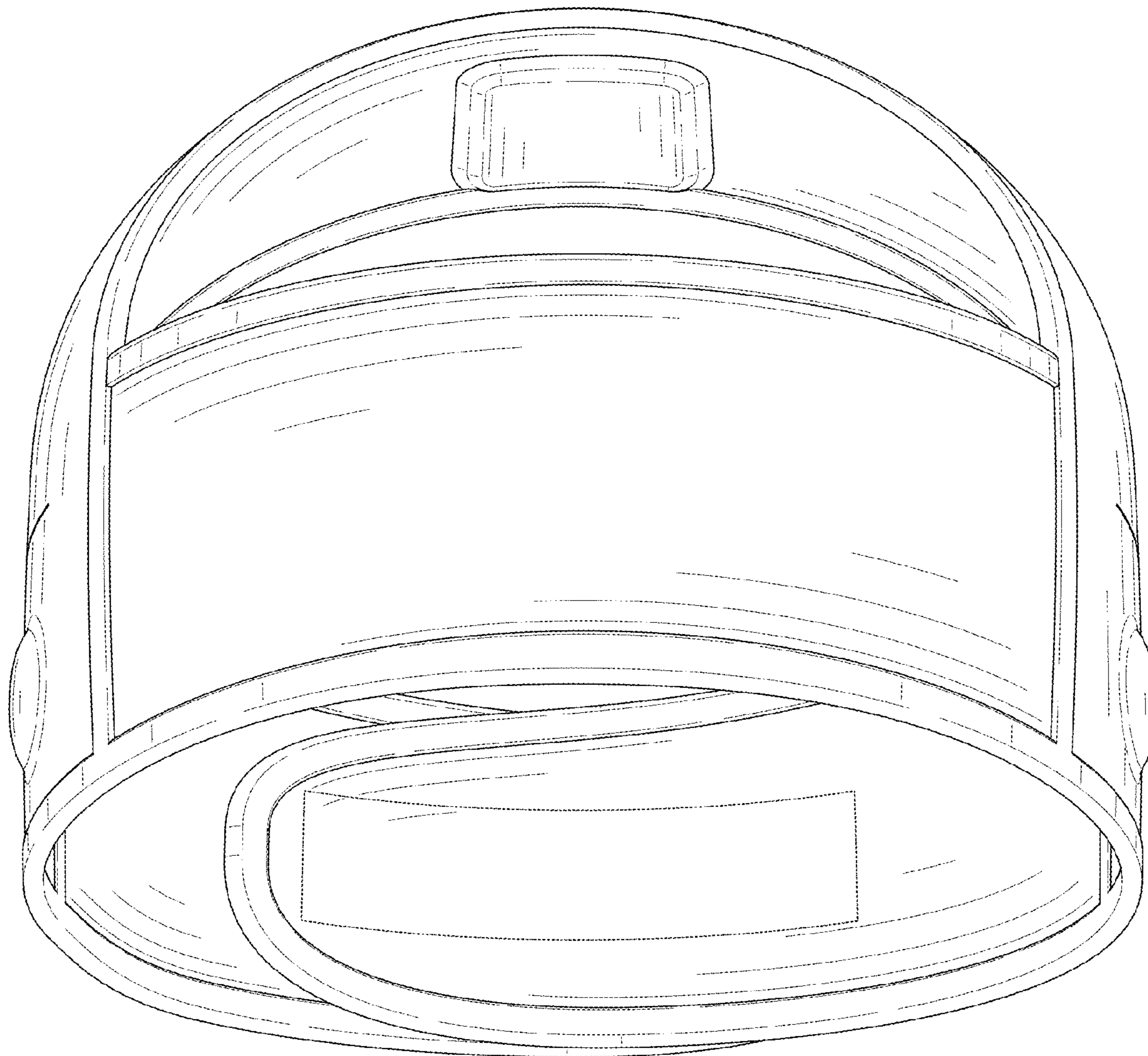


FIG. 8