

US00D971868S

(12) **United States Design Patent**
Hong

(10) **Patent No.:** **US D971,868 S**
(45) **Date of Patent:** **** Dec. 6, 2022**

(54) **WALKIE TALKIE**
(71) Applicant: **Yongqing Hong**, Fujian (CN)
(72) Inventor: **Yongqing Hong**, Fujian (CN)
(**) Term: **15 Years**
(21) Appl. No.: **29/744,178**

D540,765 S * 4/2007 Pritchard D14/137
D564,999 S * 3/2008 Richards D14/137
D569,358 S * 5/2008 Devenish, III D14/137
D598,876 S * 8/2009 Leng D14/137
D600,225 S * 9/2009 Woon D14/137
7,605,686 B2 * 10/2009 Serfaty H04M 1/03
381/162
D605,616 S * 12/2009 Scott D14/137
D616,844 S * 6/2010 Xia D14/137
D652,400 S * 1/2012 Oikawa D14/137

(Continued)

(22) Filed: **Jul. 28, 2020**
(51) **LOC (13) Cl.** **14-03**
(52) **U.S. Cl.**
USPC **D14/137**

FOREIGN PATENT DOCUMENTS

CN 202030416154.5 * 7/2020

(58) **Field of Classification Search**
USPC D14/137, 138 AA, 138 AD, 138 G,
D14/138 R, 142, 144, 147, 148, 155,
D14/157-159, 163-165, 168, 171, 172,
D14/188, 191, 192, 194-198, 203.1,
D14/203.3, 203.5, 203.7, 204, 210-216,
D14/218, 219, 221, 225, 226, 341, 342,
D14/345, 346; D21/324, 329, 331, 517,
D21/566; D10/65, 78, 104.1, 104.2,
D10/106.1; D13/168; D30/199
CPC H04B 1/3833; H04B 1/3827; H04B
2001/3861; H04B 1/385; H04B 1/3883;
H04B 2001/3855; H04B 2001/3872;
H04M 1/23; H04M 1/233; H04M 1/7246;
H04M 1/72427; G08B 21/0202; H04R
2410/00; H04R 1/00; H04R 2410/01;
H04R 2410/03; H04R 2410/05; H04R
2410/07; H04R 27/00; H04R 27/02;
H04R 27/04

OTHER PUBLICATIONS

“Baofeng UV-5R Dual Band Two Way Radio (Black)”, first avail-
able Jan. 1, 2012, amazon.com, [online], [site visited Jan. 25, 2022,
Available from internet URL: <https://www.amazon.com/BaoFeng-UV-5R-Dual-Radio-Black/dp/B007H4VT7A> (Year: 2012).*

Primary Examiner — Christian P. McLean
Assistant Examiner — Kourosh Taie-Tehrani

See application file for complete search history.

(57) **CLAIM**

The ornamental design for a walkie talkie, as shown and described.

(56) **References Cited**

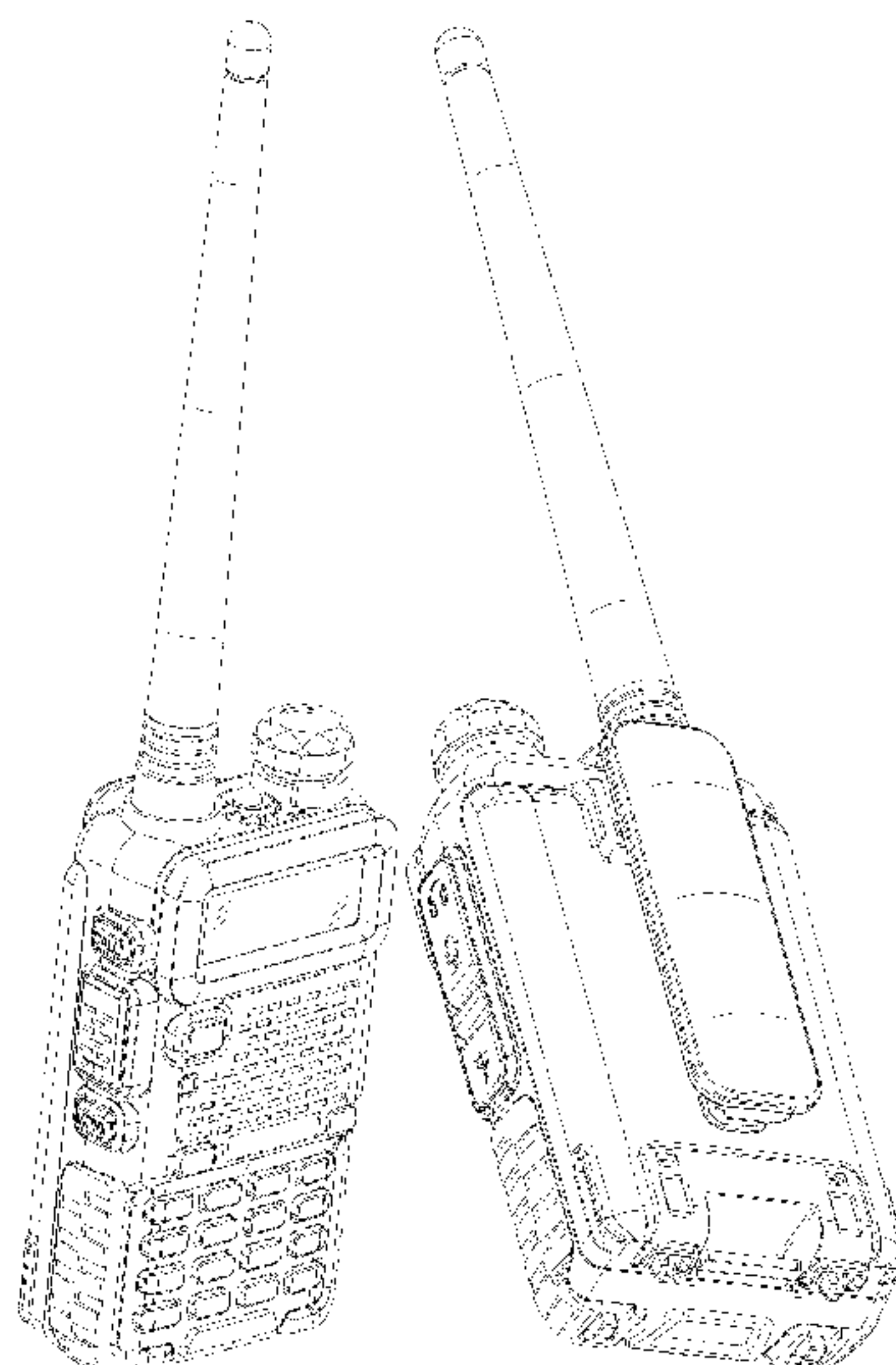
U.S. PATENT DOCUMENTS

5,487,181 A * 1/1996 Dailey H04B 1/40
455/574
D382,870 S * 8/1997 Siddoway D14/137
D384,060 S * 9/1997 Kelley D14/138 AA
D526,993 S * 8/2006 Richards D14/188

DESCRIPTION

FIG. 1 is a front elevational view of a walkie talkie showing my new design;
FIG. 2 is a rear elevational view thereof;
FIG. 3 is a left side view thereof;
FIG. 4 is a right side view thereof;
FIG. 5 is a top plan view thereof;
FIG. 6 is a bottom plan view thereof;
FIG. 7 is a perspective view thereof; and,
FIG. 8 is another perspective view thereof.
The broken lines shown in walkie talkie form no part of the claimed design.

1 Claim, 8 Drawing Sheets



(56)

References Cited

U.S. PATENT DOCUMENTS

| | | | | | |
|--------------|------|---------|-----------|-------|-------------------------|
| D653,225 | S * | 1/2012 | Yong | | D14/137 |
| D654,035 | S * | 2/2012 | Ismail | | D14/137 |
| D662,482 | S * | 6/2012 | Kaner | | D14/137 |
| D670,258 | S * | 11/2012 | Yamamoto | | D14/137 |
| D702,666 | S * | 4/2014 | Foster | | D14/137 |
| D754,089 | S * | 4/2016 | Yong | | D14/137 |
| D761,223 | S * | 7/2016 | Oikawa | | D14/137 |
| D784,942 | S * | 4/2017 | Duran | | D14/137 |
| D796,467 | S * | 9/2017 | Oikawa | | D14/137 |
| D805,494 | S * | 12/2017 | Richards | | D14/137 |
| D816,639 | S * | 5/2018 | Abe | | D14/137 |
| D818,451 | S * | 5/2018 | Takahashi | | D14/137 |
| D876,379 | S * | 2/2020 | Aihsan | | D14/137 |
| D890,711 | S * | 7/2020 | Lee | | D14/137 |
| D896,197 | S * | 9/2020 | Lee | | D14/137 |
| D927,442 | S * | 8/2021 | Hong | | D14/137 |
| 2011/0281533 | A1 * | 11/2011 | Deleus | | H01H 25/008 341/20 |
| 2015/0222311 | A1 * | 8/2015 | Teoh | | H04B 1/3888 455/90.3 |
| 2015/0381333 | A1 * | 12/2015 | Tennant | | H04L 5/1461 370/278 |

* cited by examiner

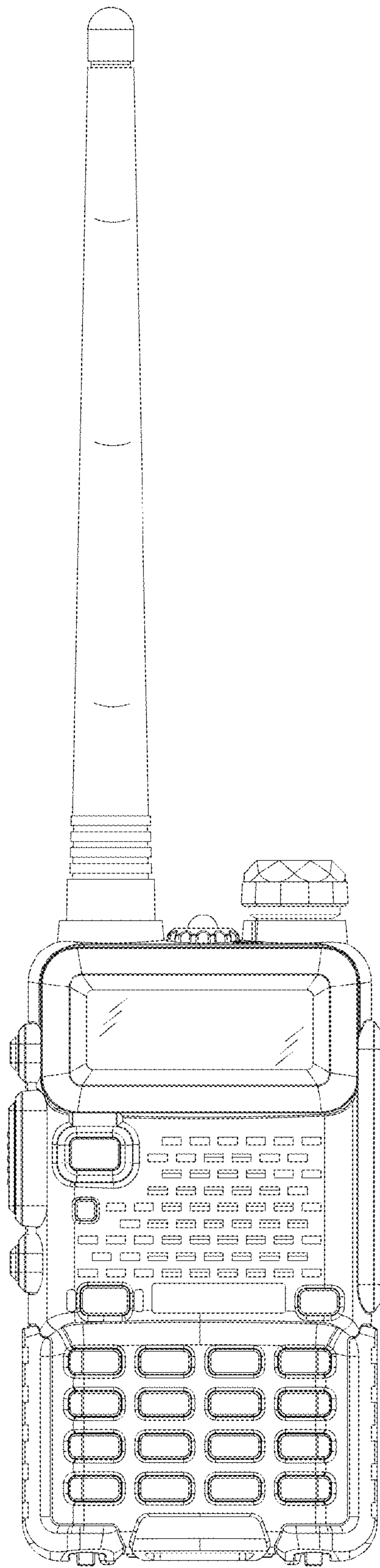


FIG. 1

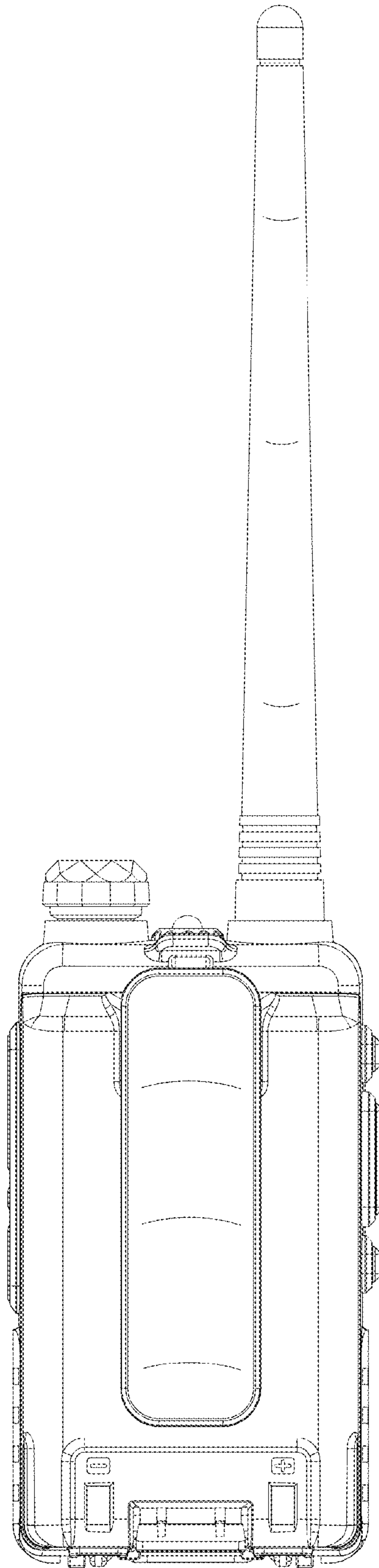


FIG. 2

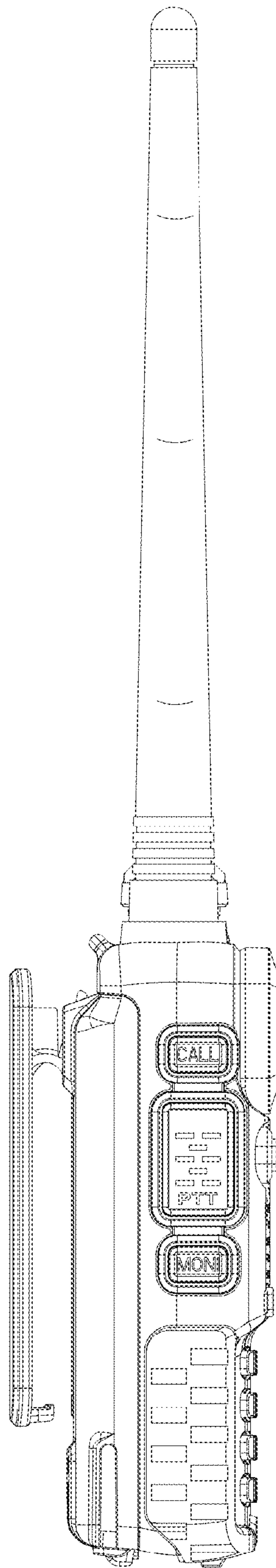


FIG. 3

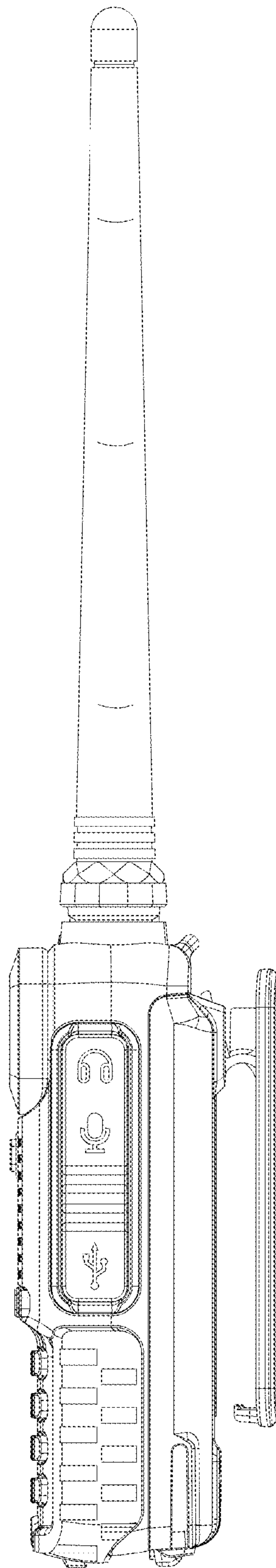


FIG. 4

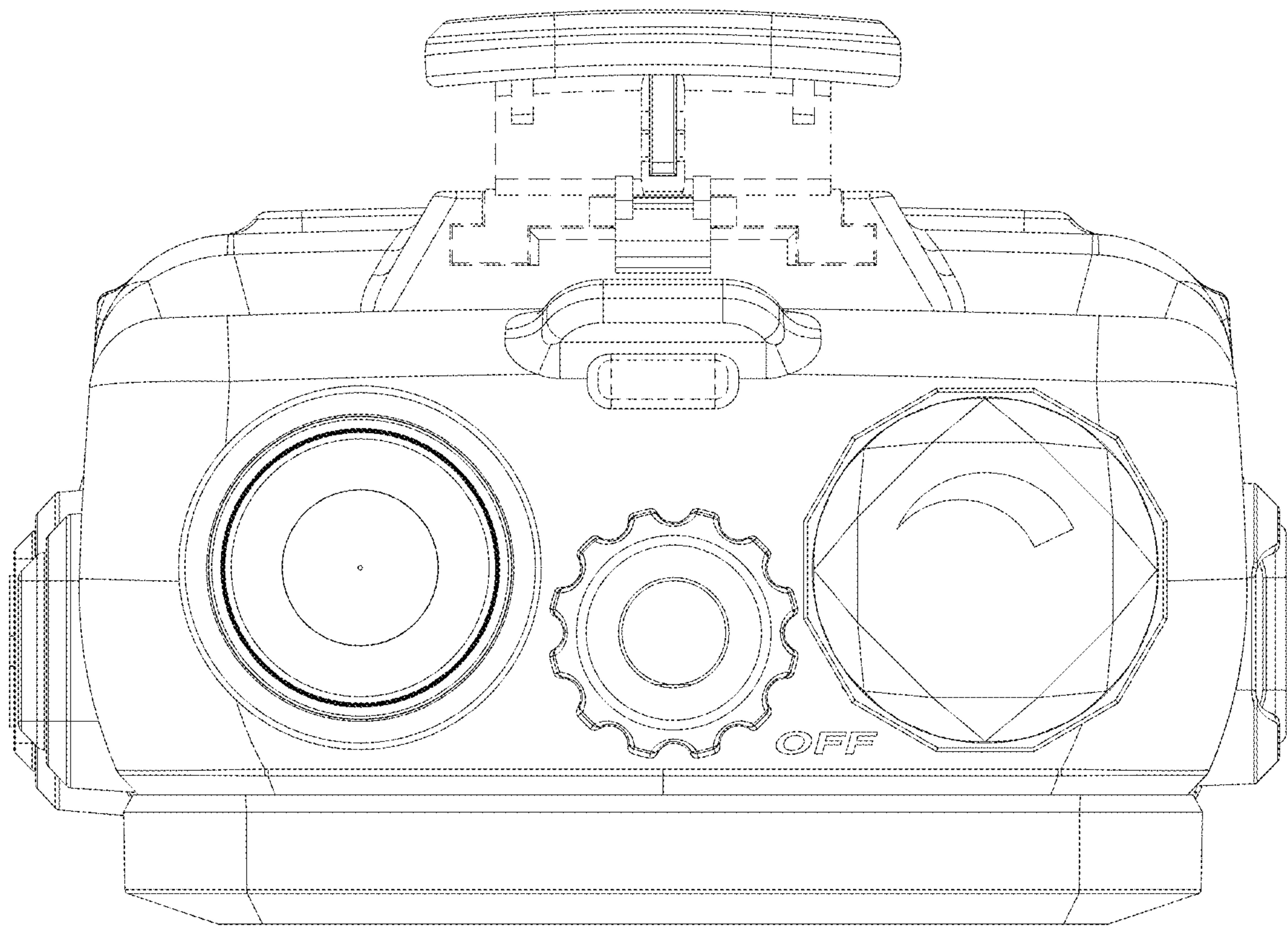


FIG. 5

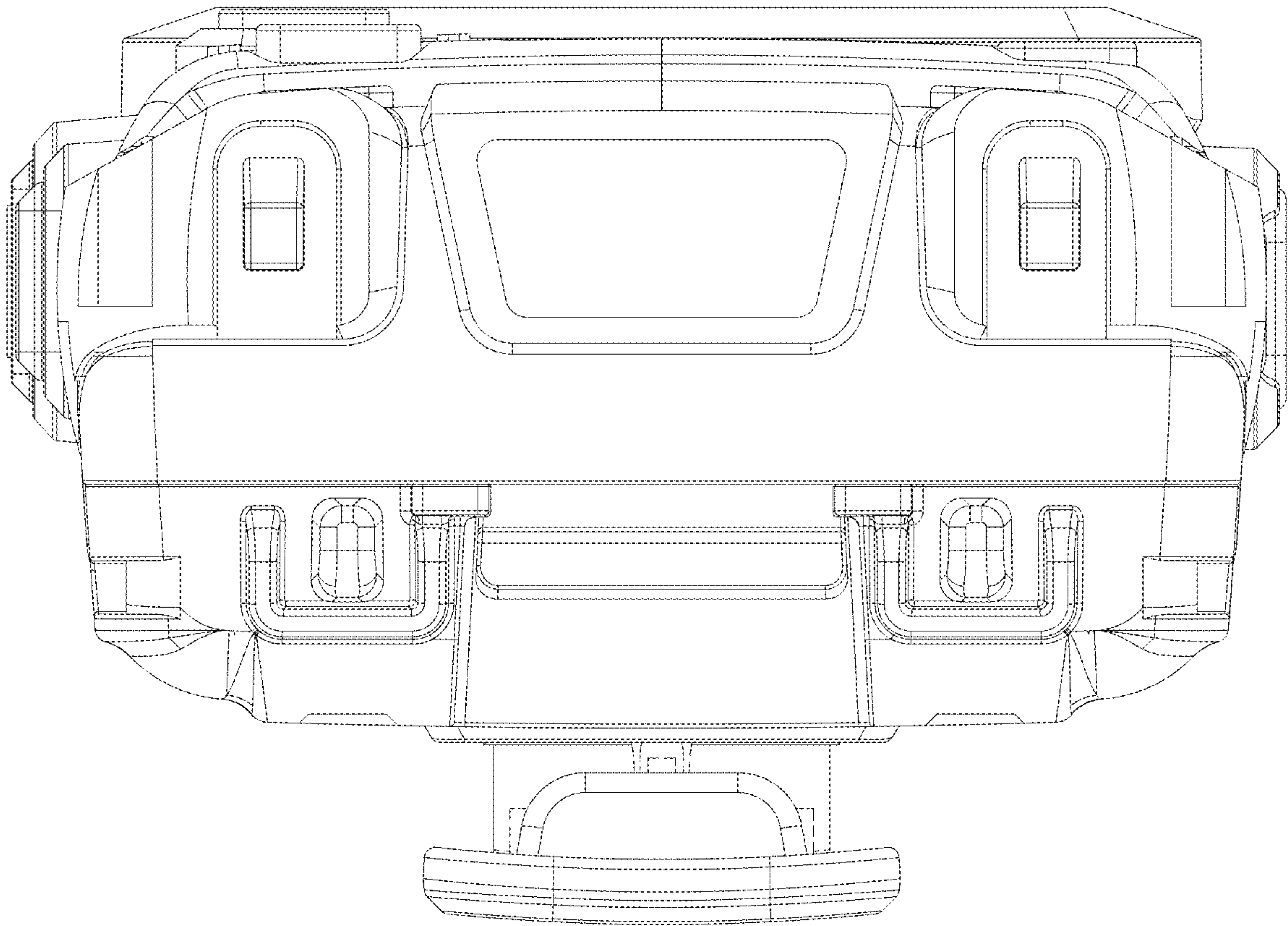


FIG. 6

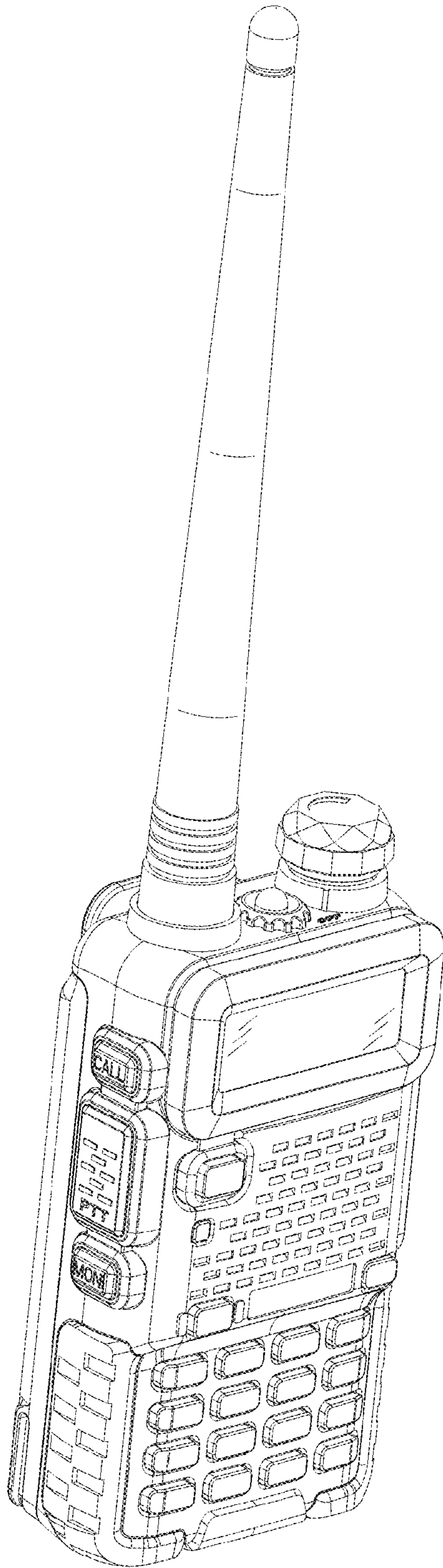


FIG. 7

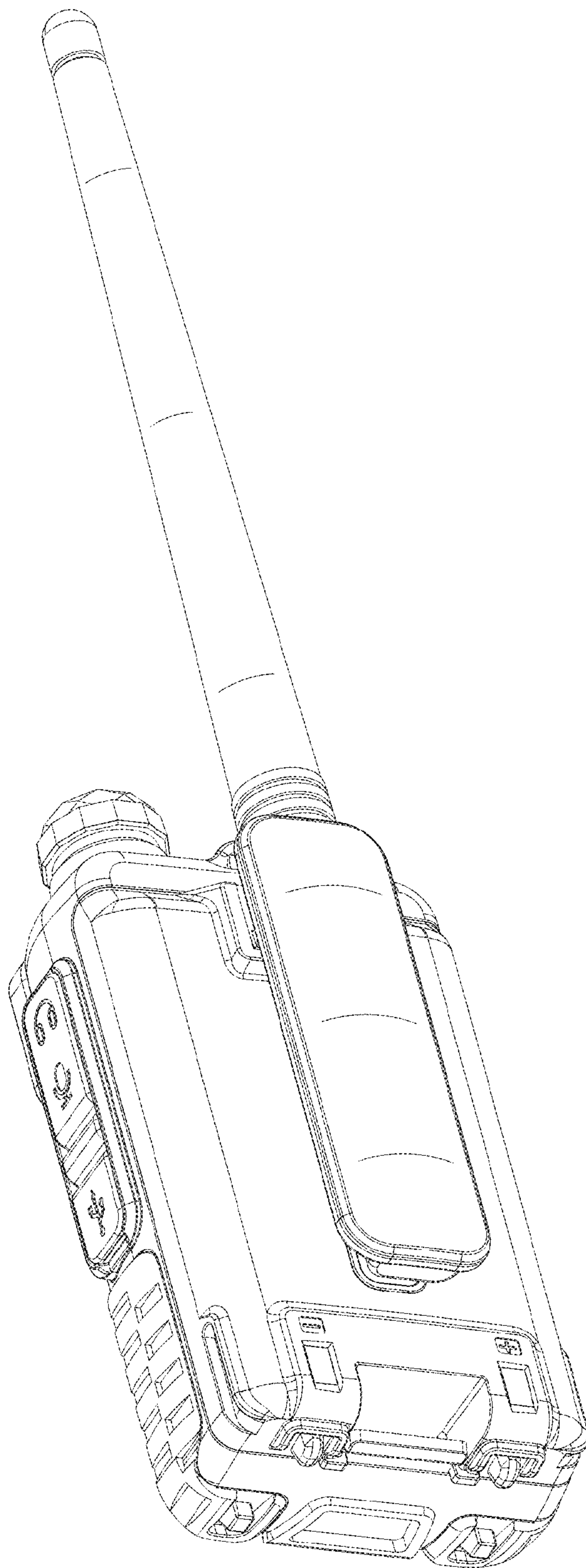


FIG. 8