

US00D971865S

(12) **United States Design Patent**
Kim et al.

(10) **Patent No.:** **US D971,865 S**
(45) **Date of Patent:** **** Dec. 6, 2022**

(54) **TELEVISION WITH FRAME**

FOREIGN PATENT DOCUMENTS

(71) Applicant: **LG ELECTRONICS INC.**, Seoul (KR)

JP D1578556 * 6/2017

(72) Inventors: **Jongchul Kim**, Seoul (KR); **Seala Park**, Seoul (KR); **Seongahn Jeon**, Seoul (KR)

OTHER PUBLICATIONS

“Gallery Frame TV Cover”, Date not available, potterybarn.com, [online], [site visited Mar. 25, 2022], Available from Internet URL: <https://www.potterybarn.com/products/gallery-frame-media-cover/> (Year: NA).*

(73) Assignee: **LG ELECTRONICS INC.**, Seoul (KR)

(Continued)

(**) Term: **15 Years**

Primary Examiner — Leanne Was-Englehart

(21) Appl. No.: **29/766,219**

(74) *Attorney, Agent, or Firm* — Birch, Stewart, Kolasch & Birch, LLP

(22) Filed: **Jan. 14, 2021**

(57) **CLAIM**

(30) **Foreign Application Priority Data**

We claim the ornamental design for a television with frame, as shown and described.

Jul. 16, 2020 (KR) 30-2020-0032919

(51) **LOC (13) Cl.** **14-03**

DESCRIPTION

(52) **U.S. Cl.**
USPC **D14/126**

(58) **Field of Classification Search**
USPC D14/125–129, 132, 133, 203.8, 239, D14/305–307, 314–316, 335, 336, 340, D14/371–377, 382, 447–451, 900, 902; D6/663, 672, 673, 675.1, 705; D16/241; D18/4.5–4.6; D20/10, 17, 18, 19, 21, 27, D20/39, 41, 42, 99; D21/329, 332, 515; D24/160, 167, 186; D25/60, 61, 125, D25/126, 133

FIG. 1 is a perspective view of a television with frame showing the new design;
FIG. 2 is a front elevation view thereof;
FIG. 3 is a rear elevation view thereof;
FIG. 4 is a left-side elevation view thereof;
FIG. 5 is a right-side elevation view thereof;
FIG. 6 is a top plan view thereof;
FIG. 7 is a bottom plan view thereof;
FIG. 8 is a partial enlarged view thereof;
FIG. 9 is another perspective view thereof shown with environment; and,
FIG. 10 is another perspective view thereof showing a state of the display screen thereof rolled to the frame.
The dot-dot-dash broken lines depict the limits of the enlarged views and form no part of the claimed design. The broken lines in FIG. 9 are for the purpose of illustrating an environment of use and form no part of the claimed design.

(Continued)

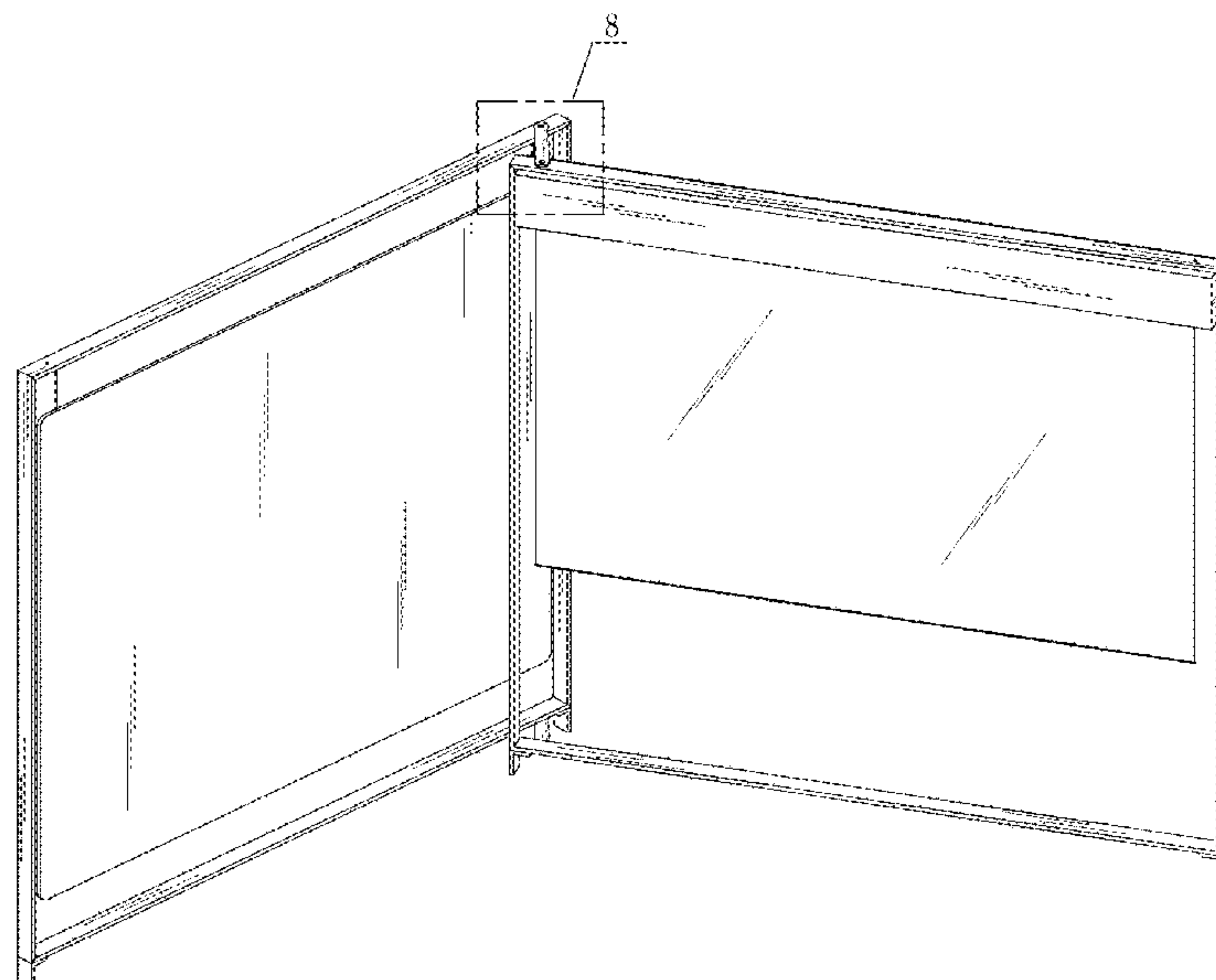
(56) **References Cited**

U.S. PATENT DOCUMENTS

D406,468 S * 3/1999 Byers D6/332
D624,082 S * 9/2010 Liu D14/449

(Continued)

1 Claim, 10 Drawing Sheets



(58) **Field of Classification Search**

CPC G09F 9/301; G06F 1/1656; G06F 1/1652;
 G06F 1/1626; G06F 1/1637; G06F
 1/1601; G06F 1/1605; G06F 1/162; H04N
 7/00; H04N 7/002; H04N 7/015; H04N
 7/18; H04N 11/00; H04N 11/24; H04N
 5/00; H04N 1/00283; H04N 9/00; A47F
 5/00; A47F 5/005; A47F 5/0815; A47F
 5/0846; A47G 1/141

See application file for complete search history.

(56) **References Cited**

U.S. PATENT DOCUMENTS

D681,965	S	*	5/2013	Pili	D6/332
D719,120	S	*	12/2014	Park	D14/126
D761,221	S	*	7/2016	Kim	D14/126
D908,650	S	*	1/2021	Cho	D14/126
D911,299	S	*	2/2021	Kim	D14/126
D911,993	S	*	3/2021	Kim	D14/126
D913,981	S	*	3/2021	Kim	D14/125
D916,041	S	*	4/2021	Wang	D14/125
D916,317	S	*	4/2021	Butler	D25/48.5
D916,536	S	*	4/2021	Pedersen	D6/672
D924,187	S	*	7/2021	Park	D14/126
D924,188	S	*	7/2021	Park	D14/126
D924,189	S	*	7/2021	Park	D14/126
D929,355	S	*	8/2021	Diao	D14/126

D930,604	S	*	9/2021	Pyo	D14/126
D936,027	S	*	11/2021	Pyo	D14/126
D943,294	S	*	2/2022	Pedersen	D6/332
2013/0271940	A1	*	10/2013	Cope	H05K 5/0217 361/809
2017/0367198	A1	*	12/2017	Park	H04M 1/0268
2019/0198783	A1	*	6/2019	Kim	G06F 1/1652
2019/0324501	A1	*	10/2019	Kim	H04R 7/045
2020/0160760	A1	*	5/2020	Park	H04R 9/066
2020/0314552	A1	*	10/2020	Kim	H04R 7/045
2020/0365063	A1	*	11/2020	Park	H01L 51/5237
2021/0056874	A1	*	2/2021	Morin	G09F 9/301
2021/0068280	A1	*	3/2021	Han	G02F 1/133308
2021/0110792	A1	*	4/2021	Hong	G09F 9/301
2021/0144868	A1	*	5/2021	Song	G06F 1/1652
2021/0201713	A1	*	7/2021	Chung	G09F 9/301
2022/0004229	A1	*	1/2022	Guo	G09F 9/301

OTHER PUBLICATIONS

“Samsung My Shelf . . .”, first available Mar. 3, 2021, allhomecinema.com, [online], [site visited Mar. 25, 2022], Available from Internet URL: <https://allhomecinema.com/samsung-my-shelf-a-stylish-shelf-for-the-frame-television/?id=34800297494> (Year: 2021).*

“Samsung’s The Wall”, “Date not available.”, samsung.com, [online], [site visited Mar. 25, 2022], Available from Internet URL: <https://www.samsung.com/us/business/displays/direct-view-led/the-wall/> (Year: NA).*

* cited by examiner

FIG. 1

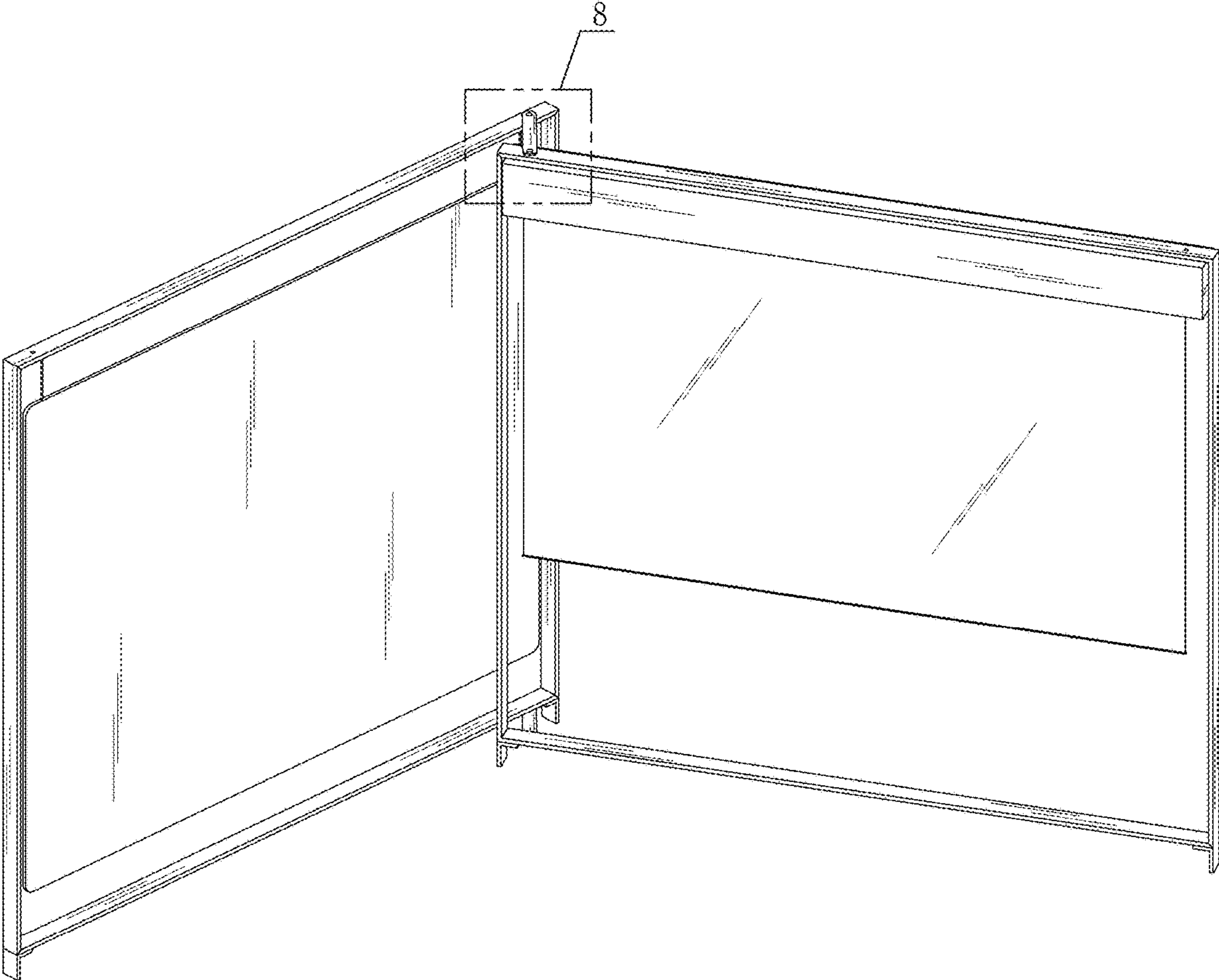


FIG. 2

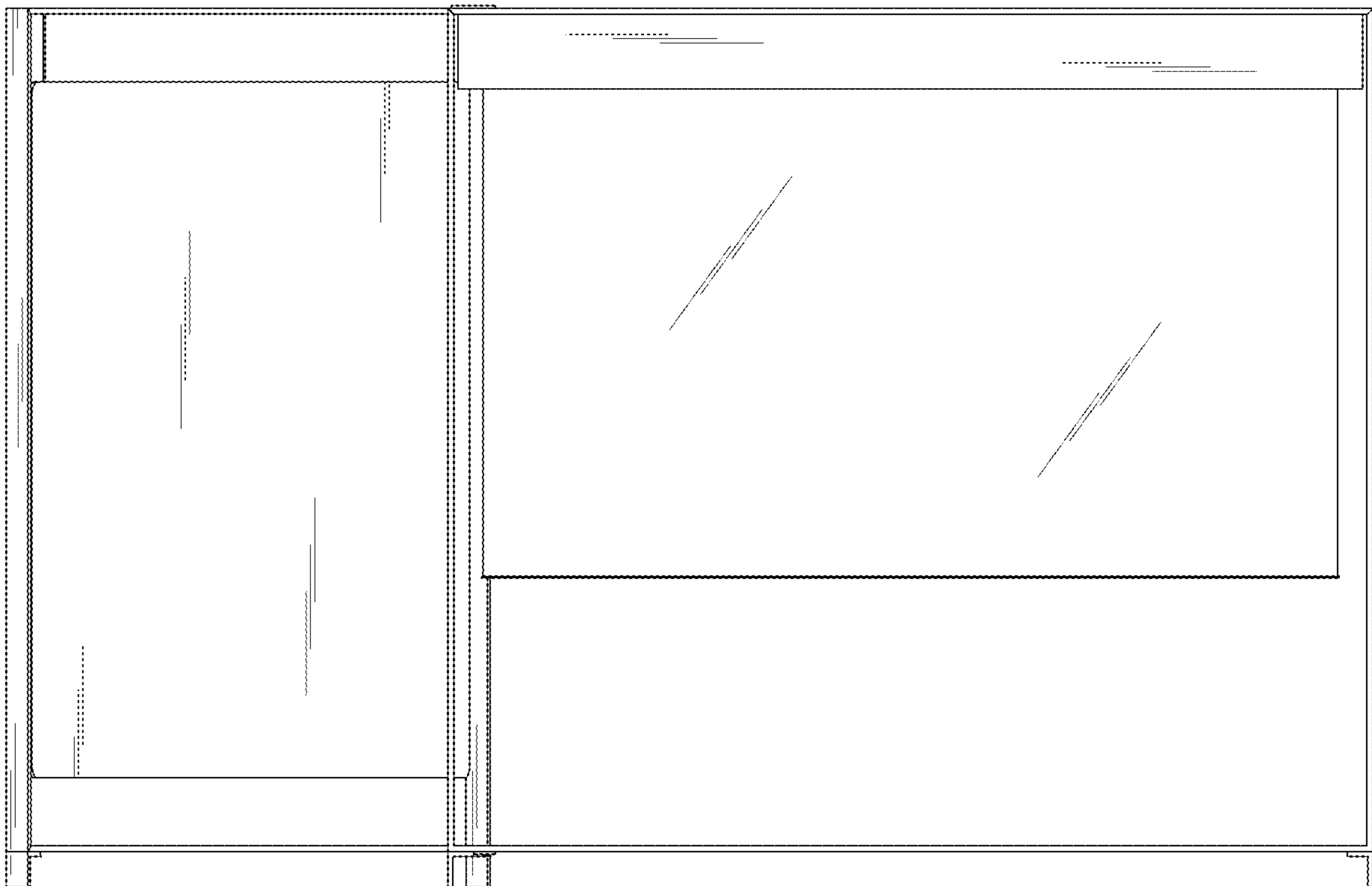


FIG. 3

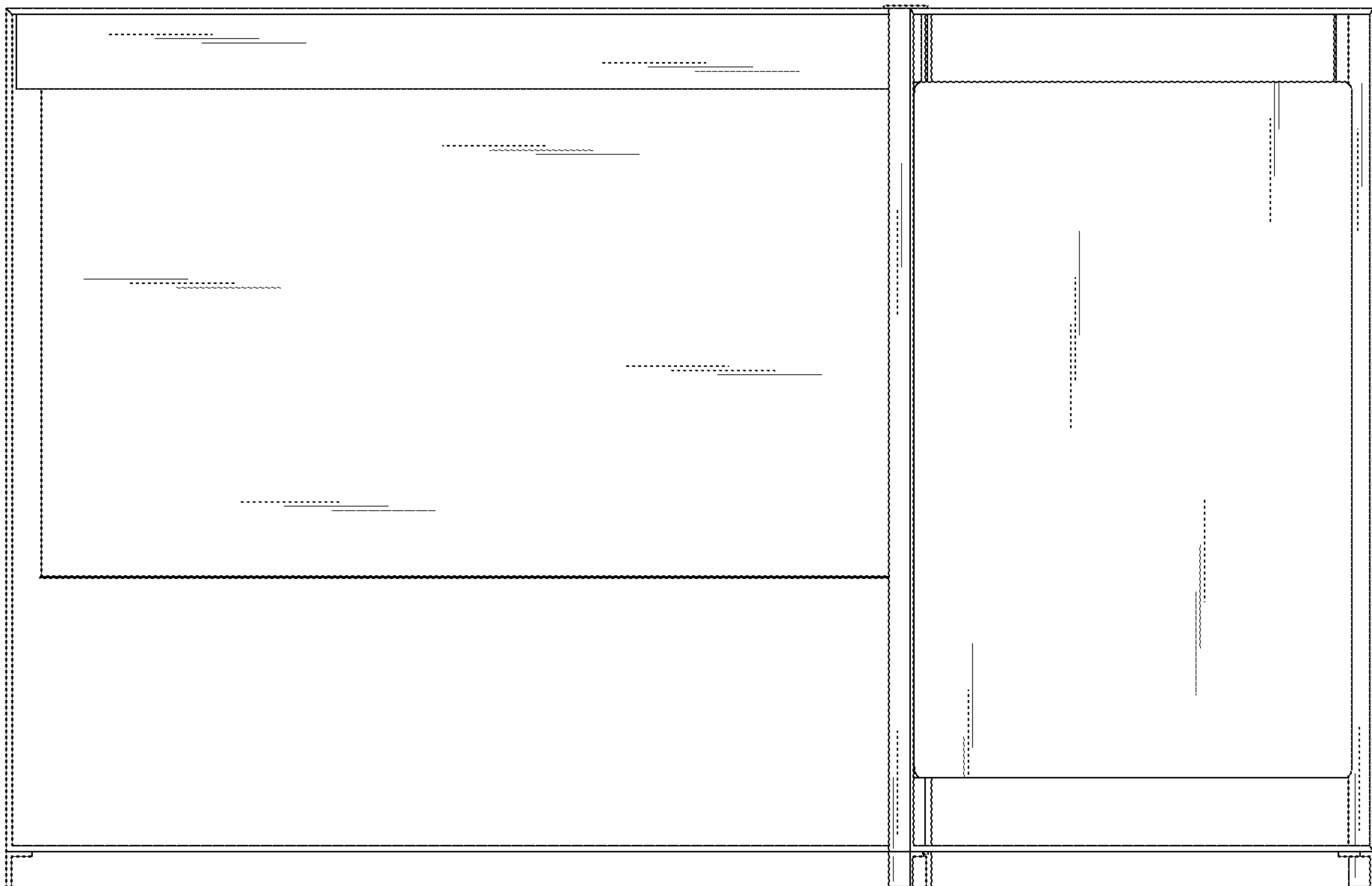


FIG. 4

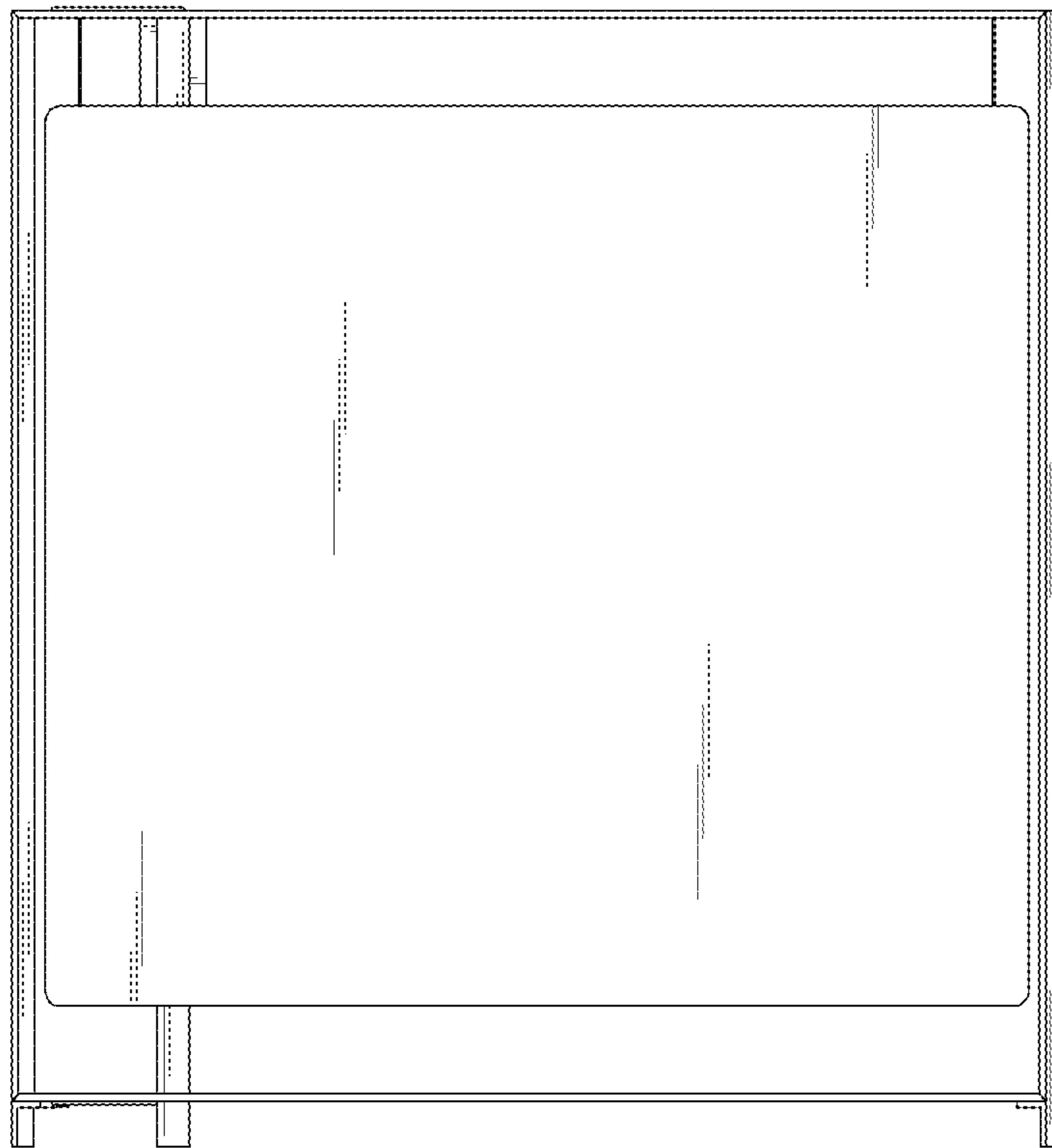


FIG. 5

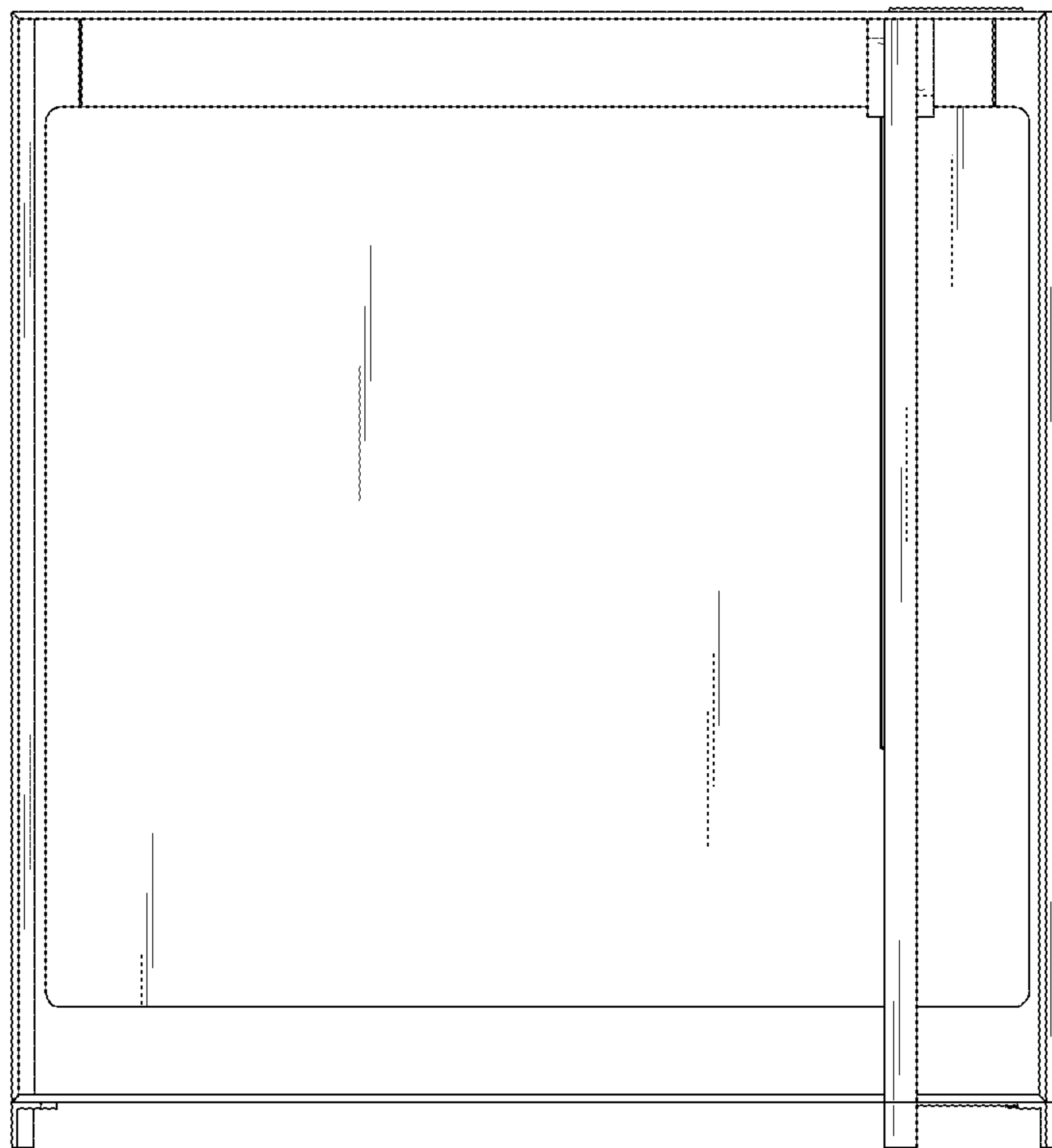


FIG. 6

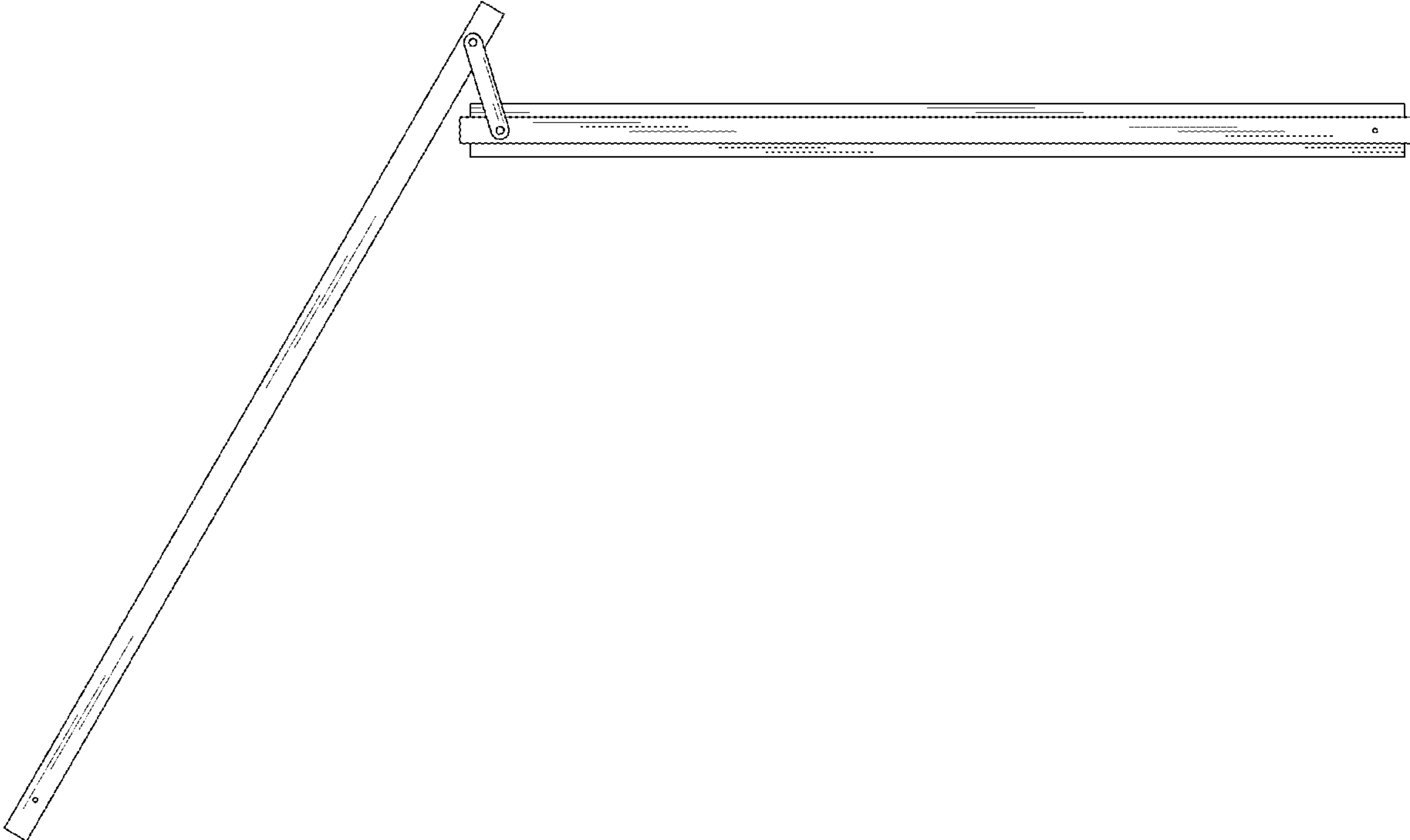


FIG. 7

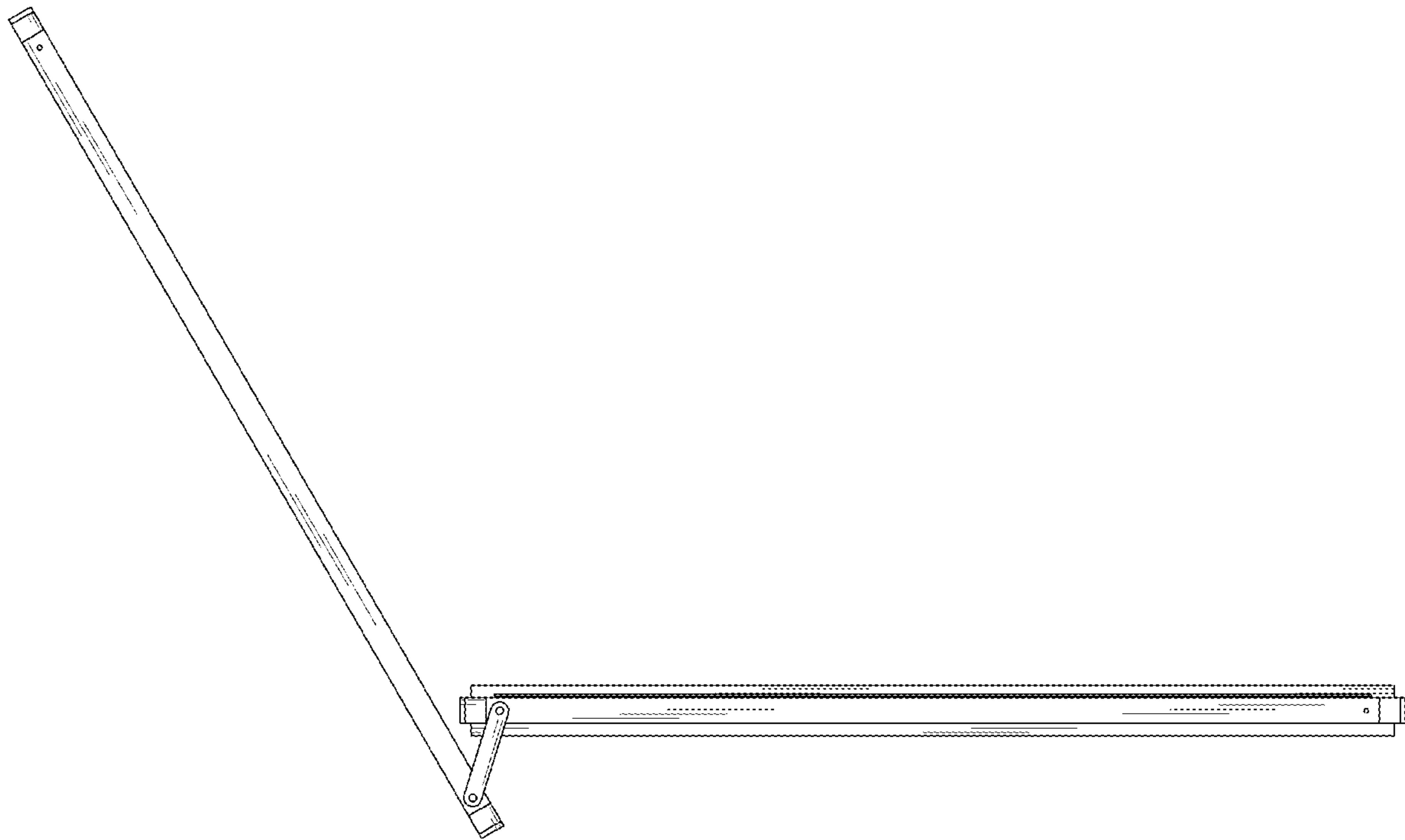


FIG. 8

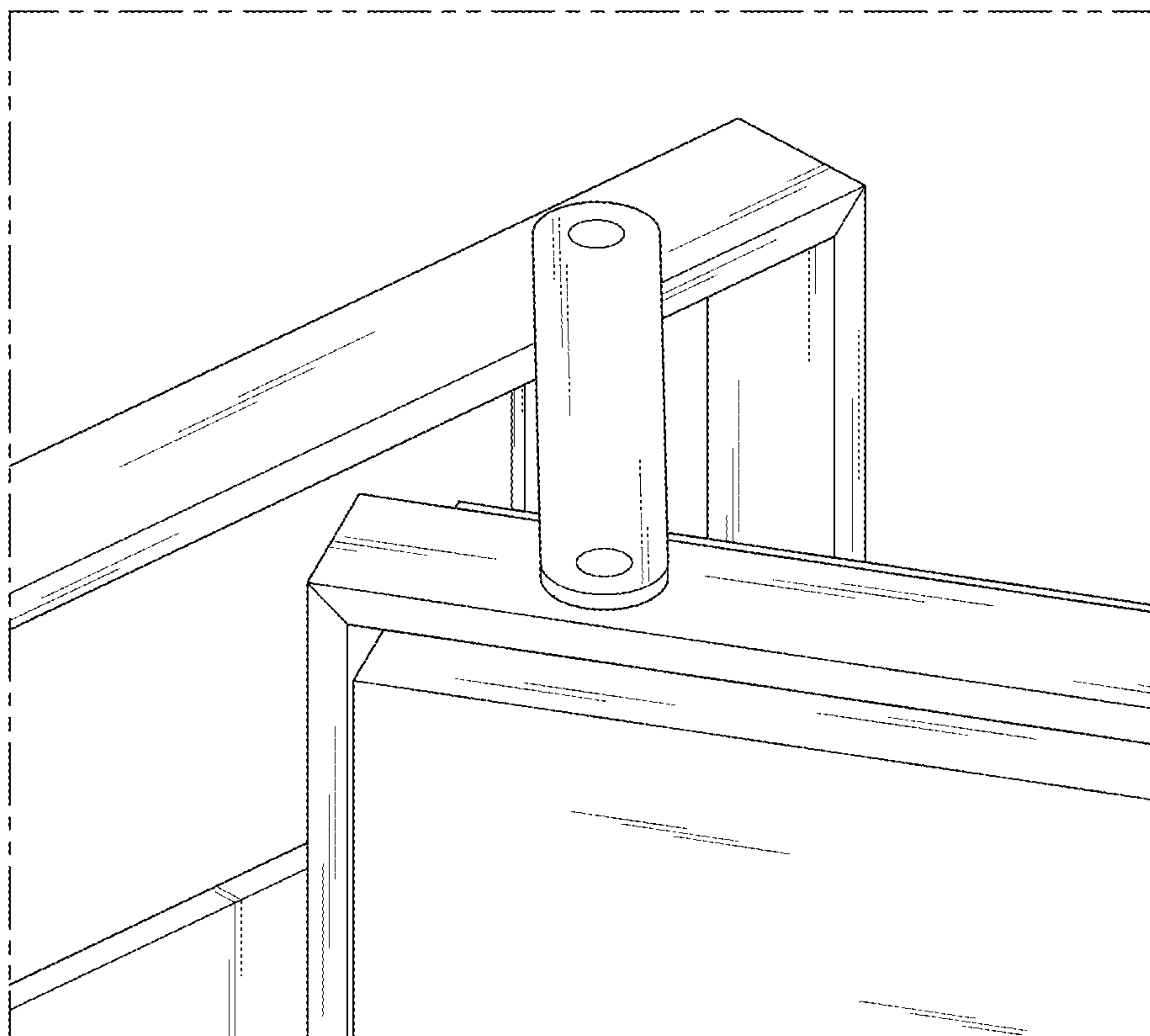


FIG. 9

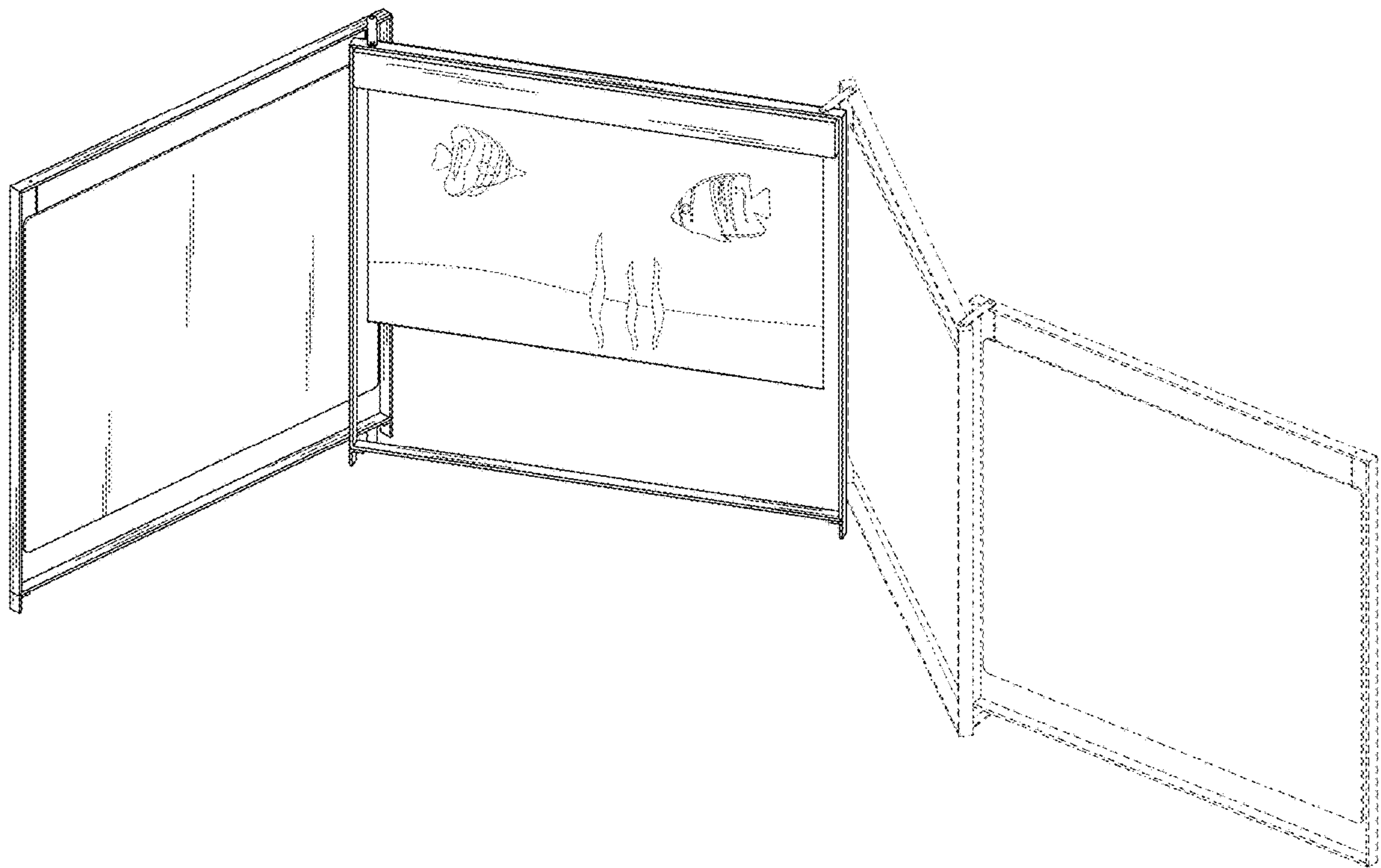


FIG. 10

