



US00D971858S

(12) **United States Design Patent**
Zhang

(10) **Patent No.:** **US D971,858 S**

(45) **Date of Patent:** **** Dec. 6, 2022**

(54) **CONTROL BOX**

(71) Applicant: **Zeken Zhang**, Guangdong (CN)

(72) Inventor: **Zeken Zhang**, Guangdong (CN)

(**) Term: **15 Years**

(21) Appl. No.: **29/795,630**

(22) Filed: **Jun. 18, 2021**

(51) **LOC (13) Cl.** **14-03**

(52) **U.S. Cl.**
USPC **D13/168; D14/218**

(58) **Field of Classification Search**
USPC D13/162, 164, 168; D14/155, 218
CPC G08C 17/02; G08C 19/00; G08C 19/12;
G08C 19/28; G08C 23/04; H04B 1/202;
H03J 9/00; H03J 9/02; H03J 9/04; H03J
9/06; H03J 1/0025; H05B 47/10; H05B
47/19

See application file for complete search history.

(56) **References Cited**

U.S. PATENT DOCUMENTS

D638,806 S	*	5/2011	Kim	D13/168
D719,534 S	*	12/2014	Woodman	D13/168
D805,482 S	*	12/2017	McRoberts	D13/168
D811,351 S	*	2/2018	O'Connell	D13/168
D818,971 S	*	5/2018	Peng	D13/168
D836,570 S	*	12/2018	Liu	D13/171
D856,941 S	*	8/2019	Chen	D13/168

D875,692 S	*	2/2020	Shi	D13/168
D887,374 S	*	6/2020	Gong	D13/168
D900,789 S	*	11/2020	Chen	D14/218
D911,295 S	*	2/2021	Chen	D14/218
D916,034 S	*	4/2021	Shi	D14/218
D917,404 S	*	4/2021	Xu	D13/168
D940,083 S	*	1/2022	Bi	D14/218
D940,084 S	*	1/2022	Bi	D14/218
D940,667 S	*	1/2022	Bi	D14/218

* cited by examiner

Primary Examiner — Selina Sikder

(74) *Attorney, Agent, or Firm* — ScienBiziP, P.C.

(57) **CLAIM**

The ornamental design for a control box, as shown and described.

DESCRIPTION

FIG. 1 is a front, right, and top perspective view of a control box, showing my design.

FIG. 2 is a rear, left, and bottom perspective view thereof.

FIG. 3 is a front elevation view thereof.

FIG. 4 is a rear elevation view thereof.

FIG. 5 is a left side elevation view thereof.

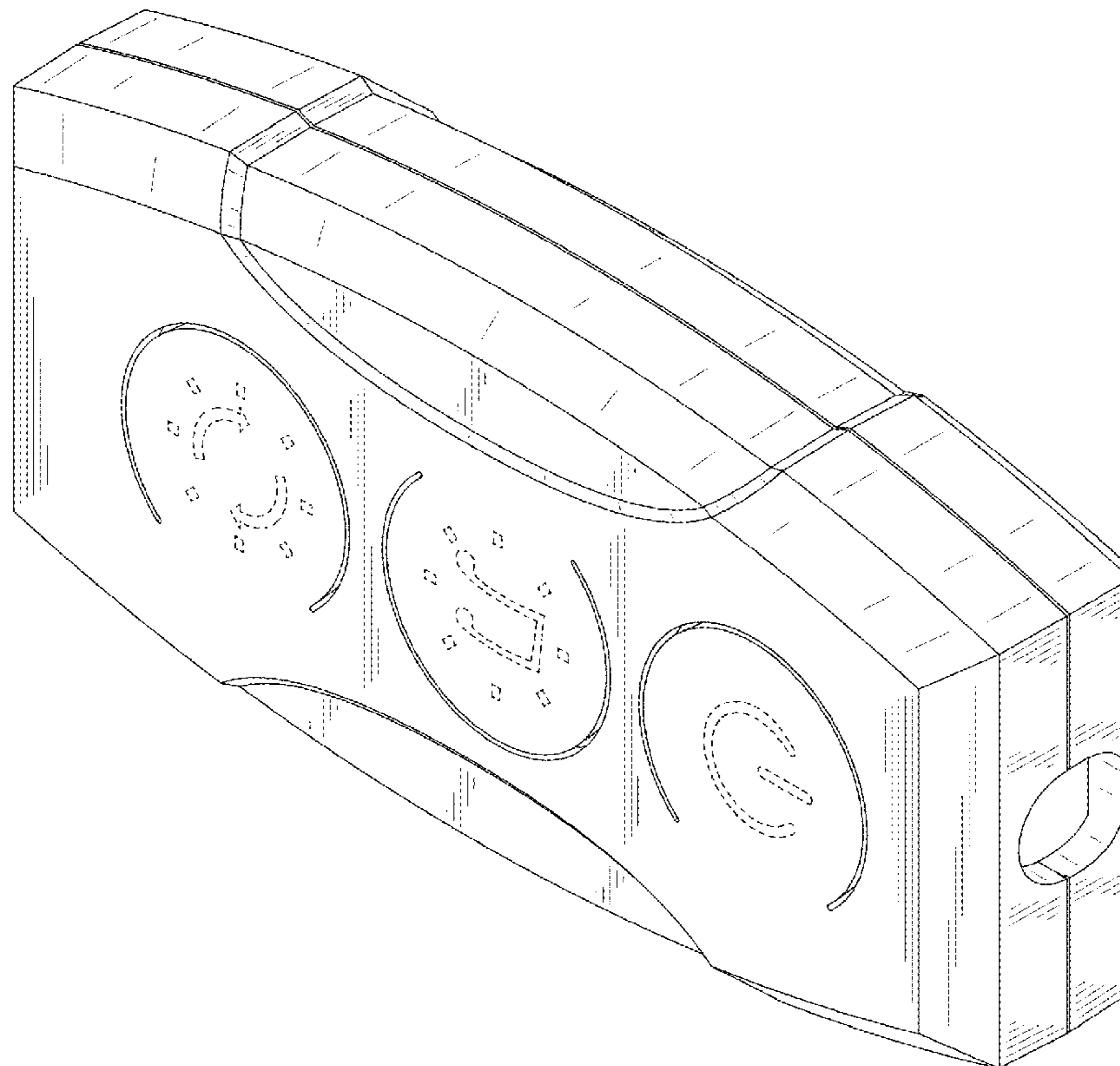
FIG. 6 is a right side elevation view thereof.

FIG. 7 is a top plan view thereof; and,

FIG. 8 is a bottom plan view thereof.

The broken lines shown in the drawings are included for the purpose of illustrating portions of the control box that form no part of the claimed design.

1 Claim, 8 Drawing Sheets



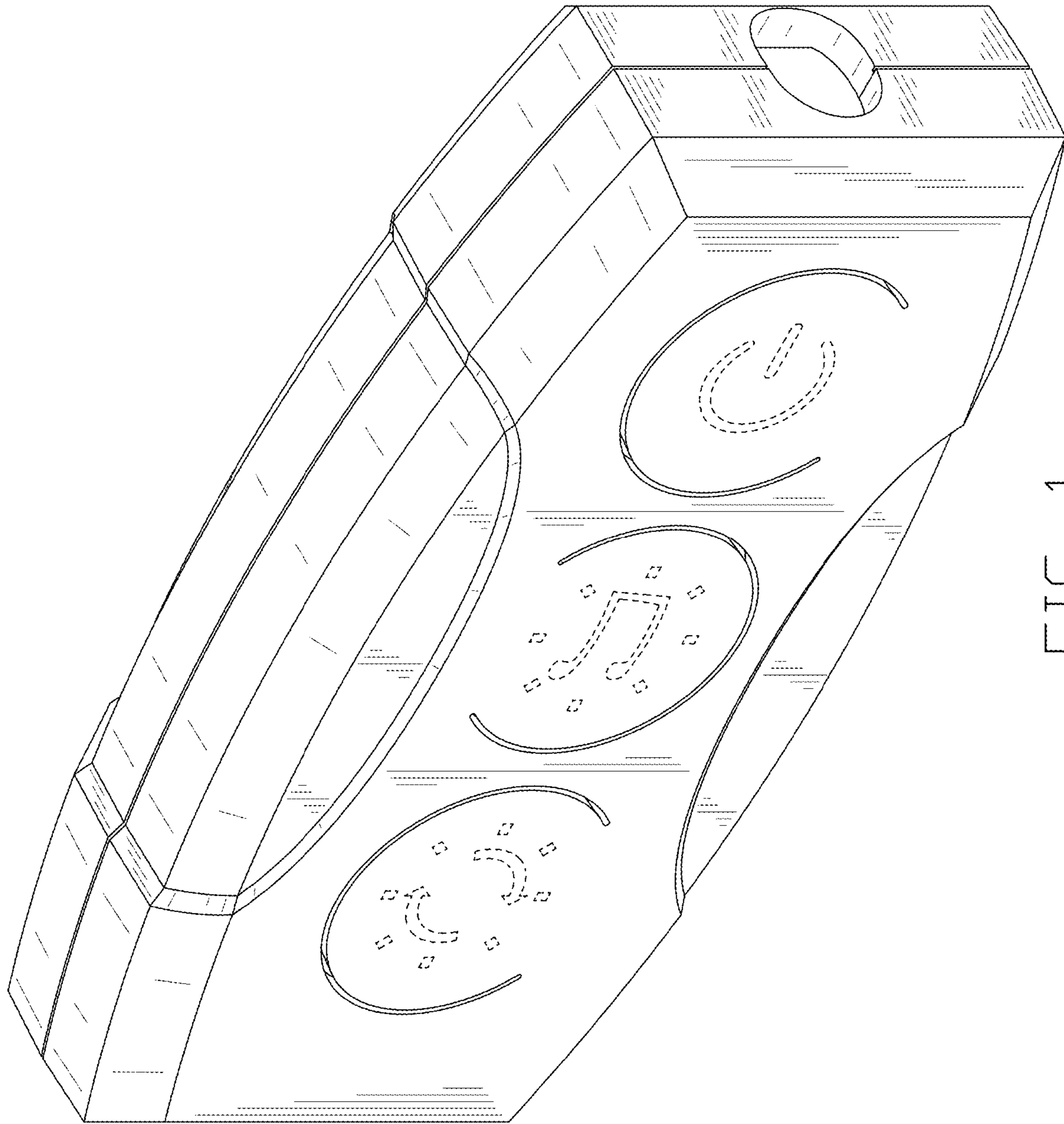


FIG. 1

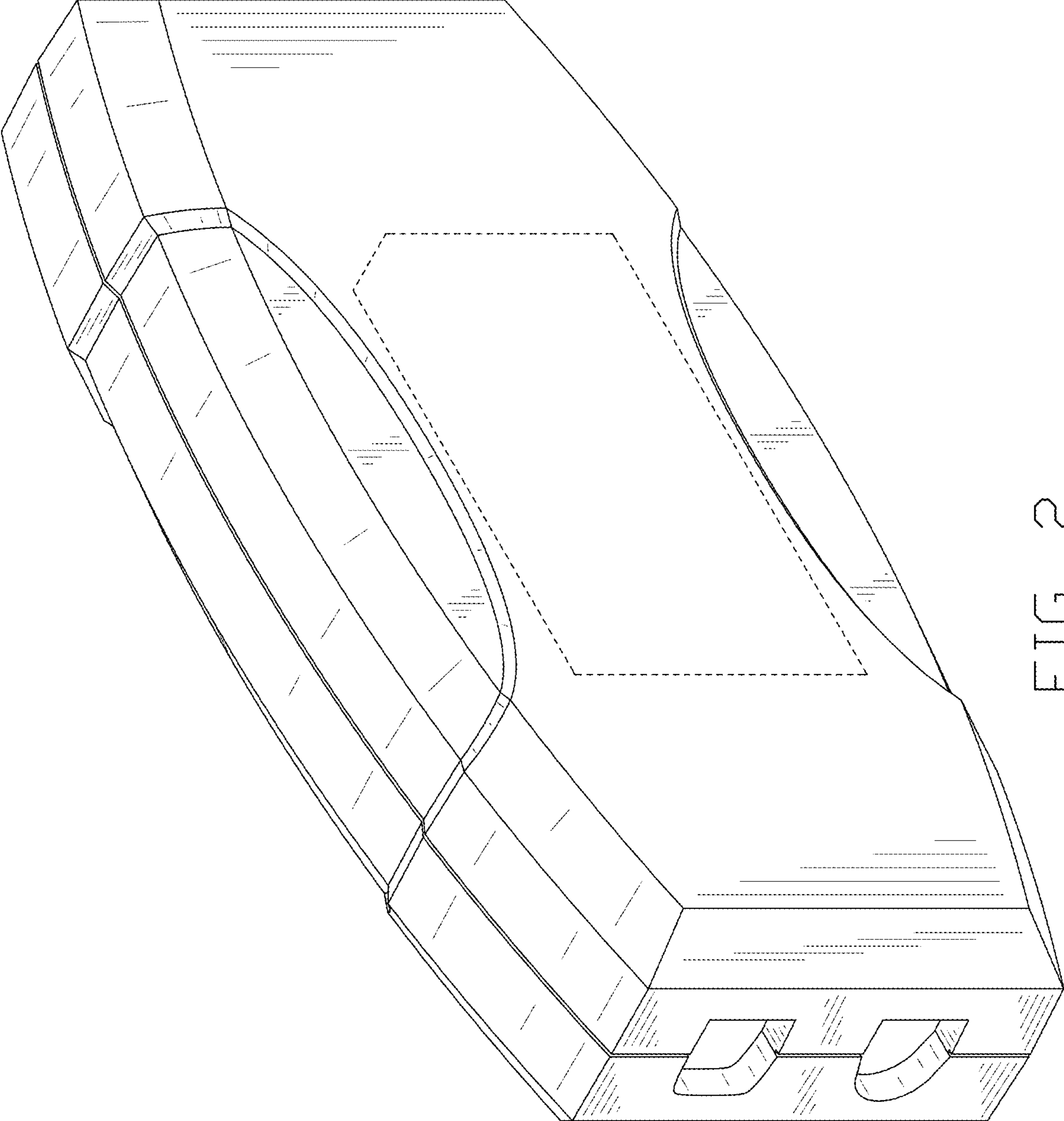


FIG. 2

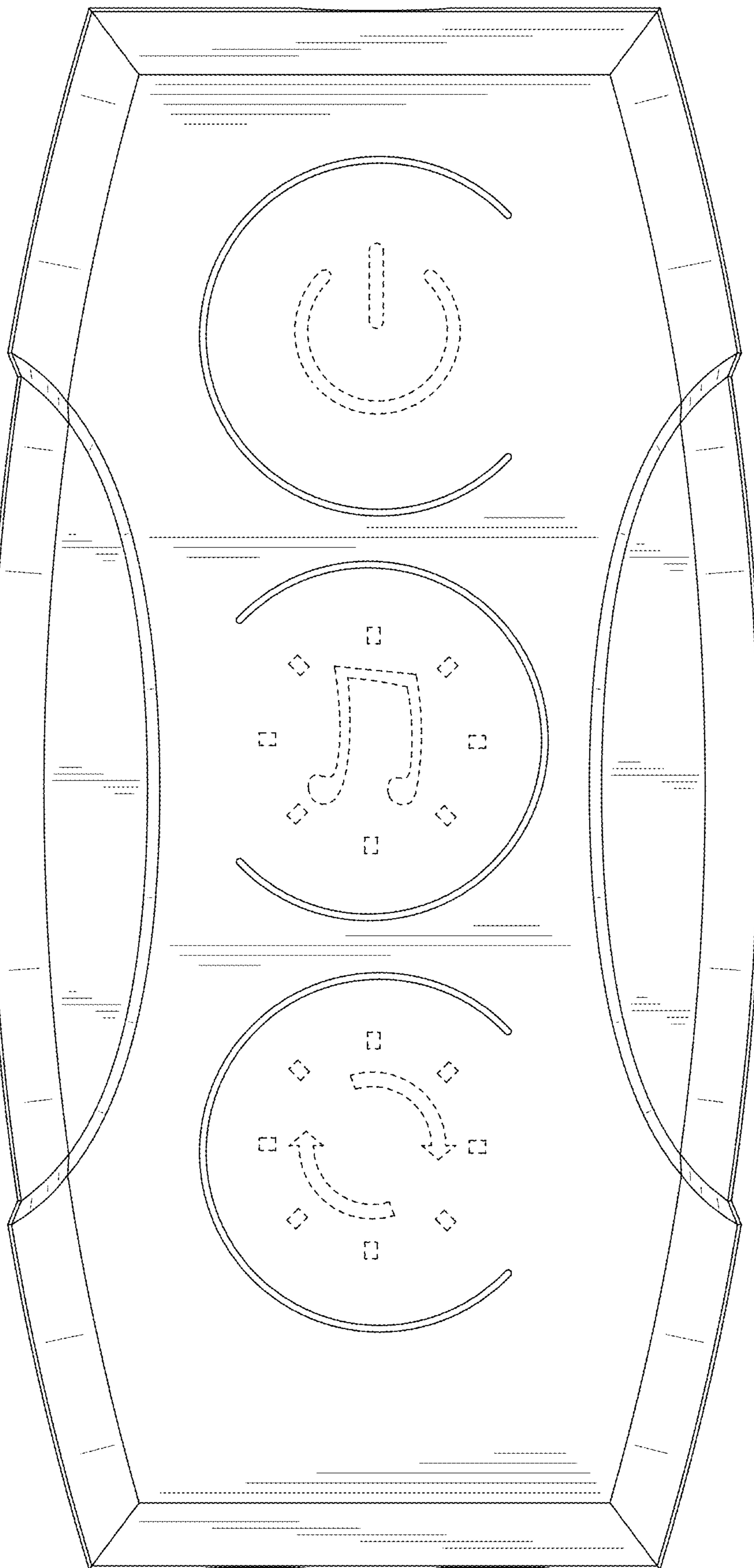


FIG. 3

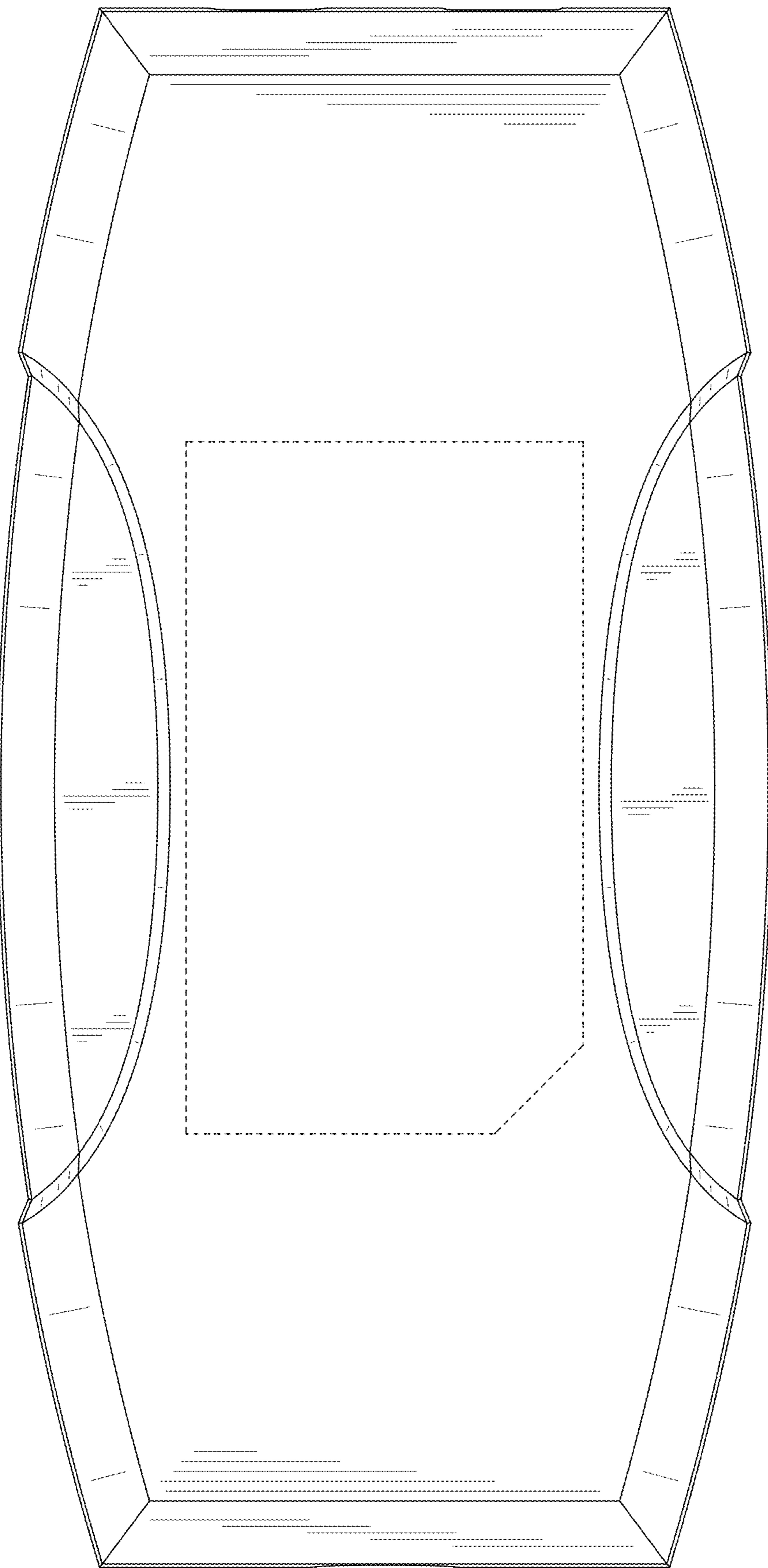


FIG. 4

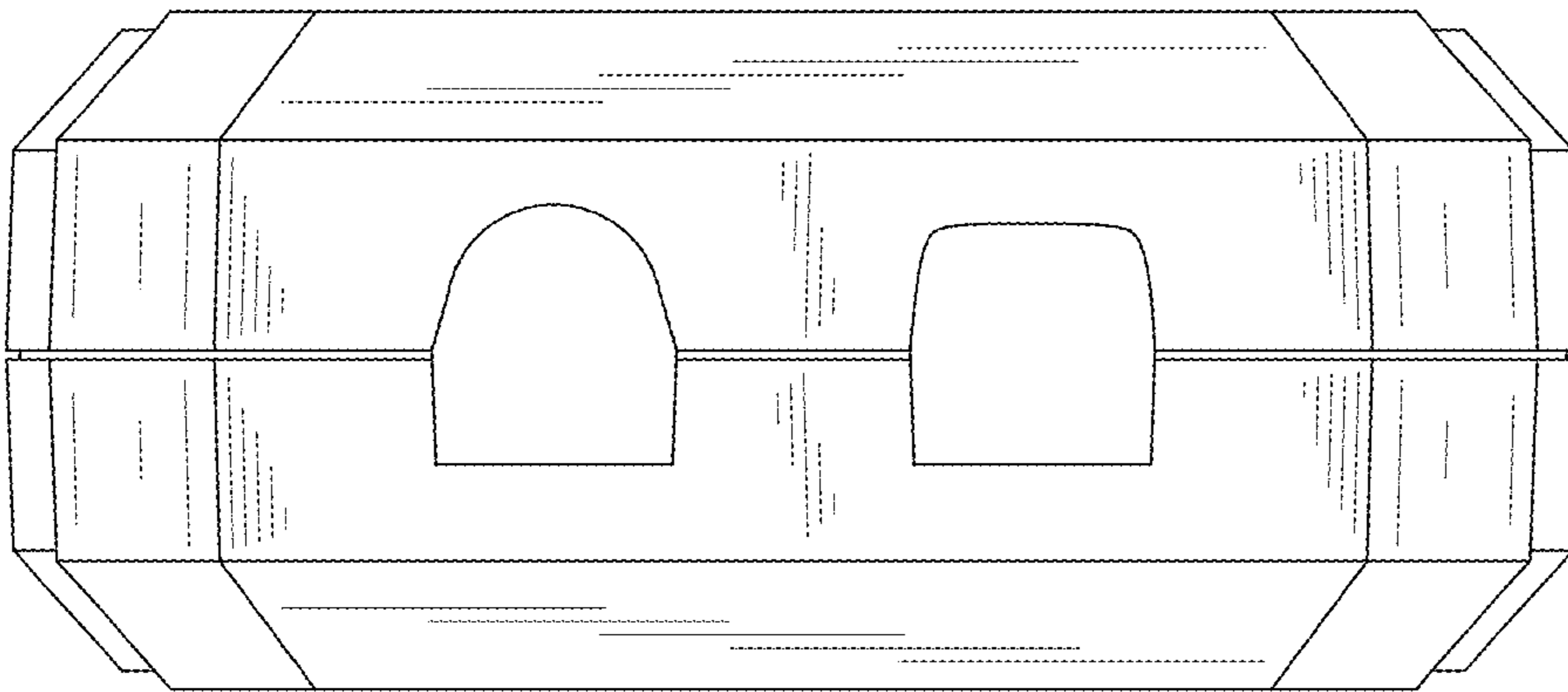


FIG. 5

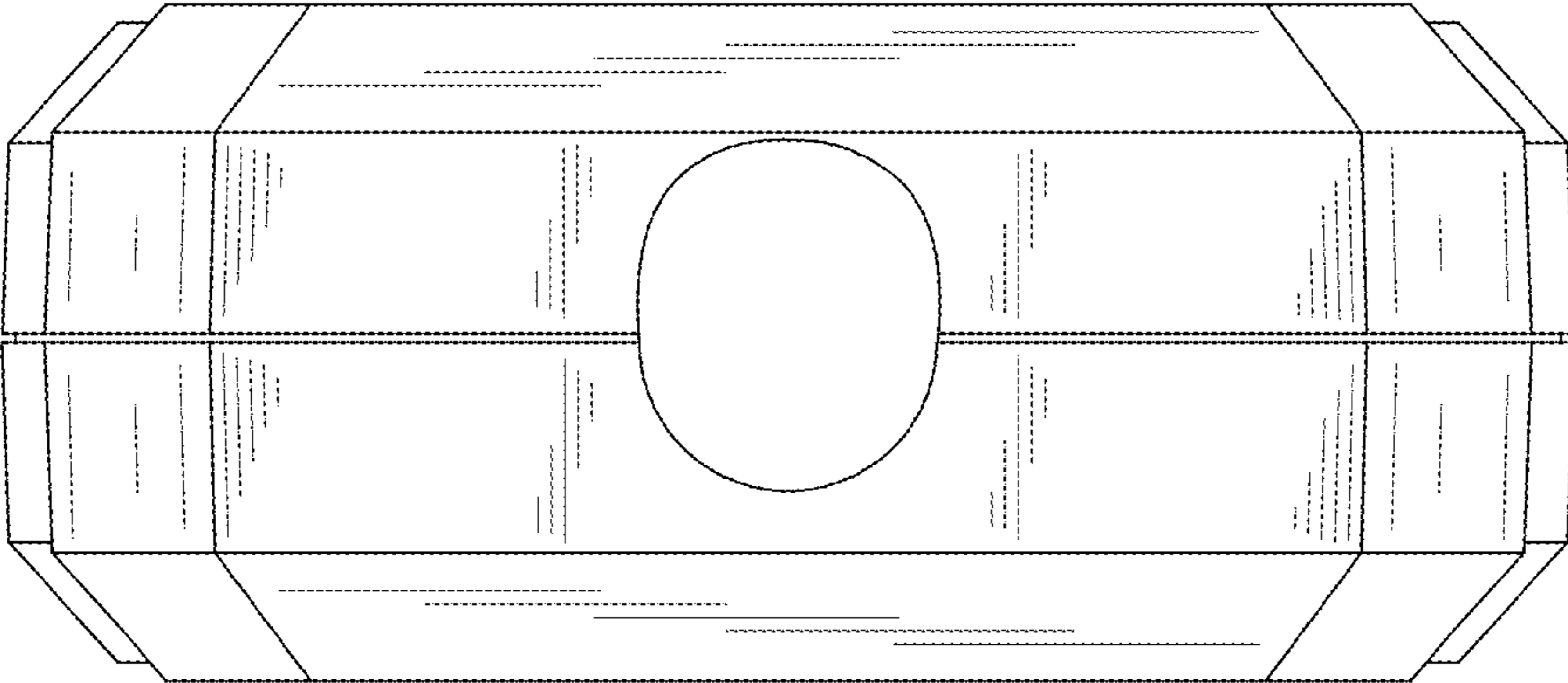


FIG. 6

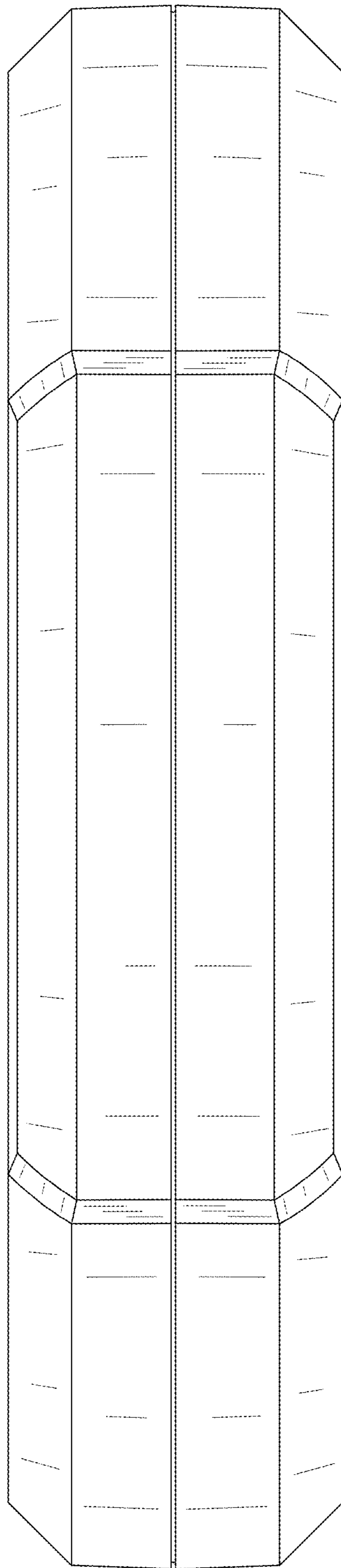


FIG. 7

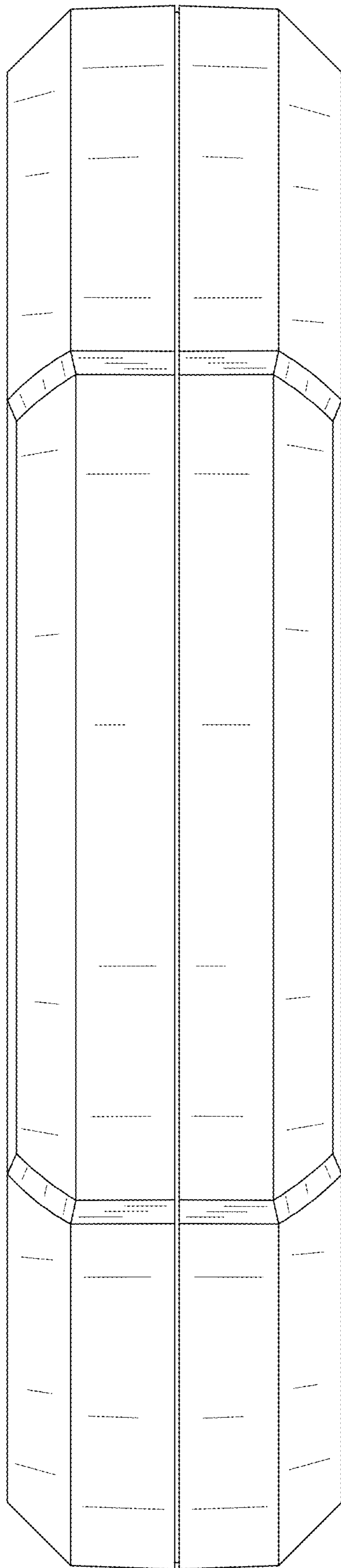


FIG. 8