



US00D971856S

(12) **United States Design Patent**
Nagase

(10) **Patent No.:** **US D971,856 S**

(45) **Date of Patent:** **** Dec. 6, 2022**

(54) **ELECTRIC CONNECTOR**

(71) Applicant: **OMRON Corporation**, Kyoto (JP)

(72) Inventor: **Masao Nagase**, Okayama (JP)

(73) Assignee: **OMRON Corporation**, Kyoto (JP)

(**) Term: **15 Years**

(21) Appl. No.: **29/777,821**

(22) Filed: **Apr. 8, 2021**

(30) **Foreign Application Priority Data**

Nov. 25, 2020 (JP) 2020-025383 D

(51) **LOC (13) Cl.** **13-03**

(52) **U.S. Cl.**
USPC **D13/154**

(58) **Field of Classification Search**
USPC D13/154, 146, 147, 123, 133,
D13/137.1-139.8, 110, 159, 184, 199
CPC . H01R 13/622; H01R 13/625; H01R 13/5845
See application file for complete search history.

(56) **References Cited**

U.S. PATENT DOCUMENTS

- 4,579,418 A * 4/1986 Parchet G02B 6/3831
D13/133
- D460,739 S * 7/2002 Fox D13/154
- D462,060 S * 8/2002 Fox D13/154
- D509,474 S * 9/2005 Bihrer D13/146
- D511,747 S * 11/2005 Rey D13/146
- D580,371 S * 11/2008 Farahani D13/154
- D582,851 S * 12/2008 Lavy D13/133
- D640,984 S * 7/2011 Derenthal D13/154
- D661,256 S * 6/2012 Shawgo D13/154
- D675,165 S * 1/2013 Chawgo D13/151
- D824,857 S * 8/2018 Vogel D13/146
- D846,623 S * 4/2019 Siminoff D13/133

- D903,604 S * 12/2020 Su D13/151
- 2005/0239311 A1 * 10/2005 Yokoigawa H01R 13/622
439/311
- 2013/0065420 A1 * 3/2013 Van Swearingen .. H01R 13/625
439/372
- 2015/0050827 A1 * 2/2015 Chang H01R 13/6275
439/312

(Continued)

FOREIGN PATENT DOCUMENTS

- JP D1684710 * 5/2021
- JP D1684711 * 5/2021

(Continued)

Primary Examiner — Bridget L Eland

(74) *Attorney, Agent, or Firm* — Capitol City TechLaw

(57) **CLAIM**

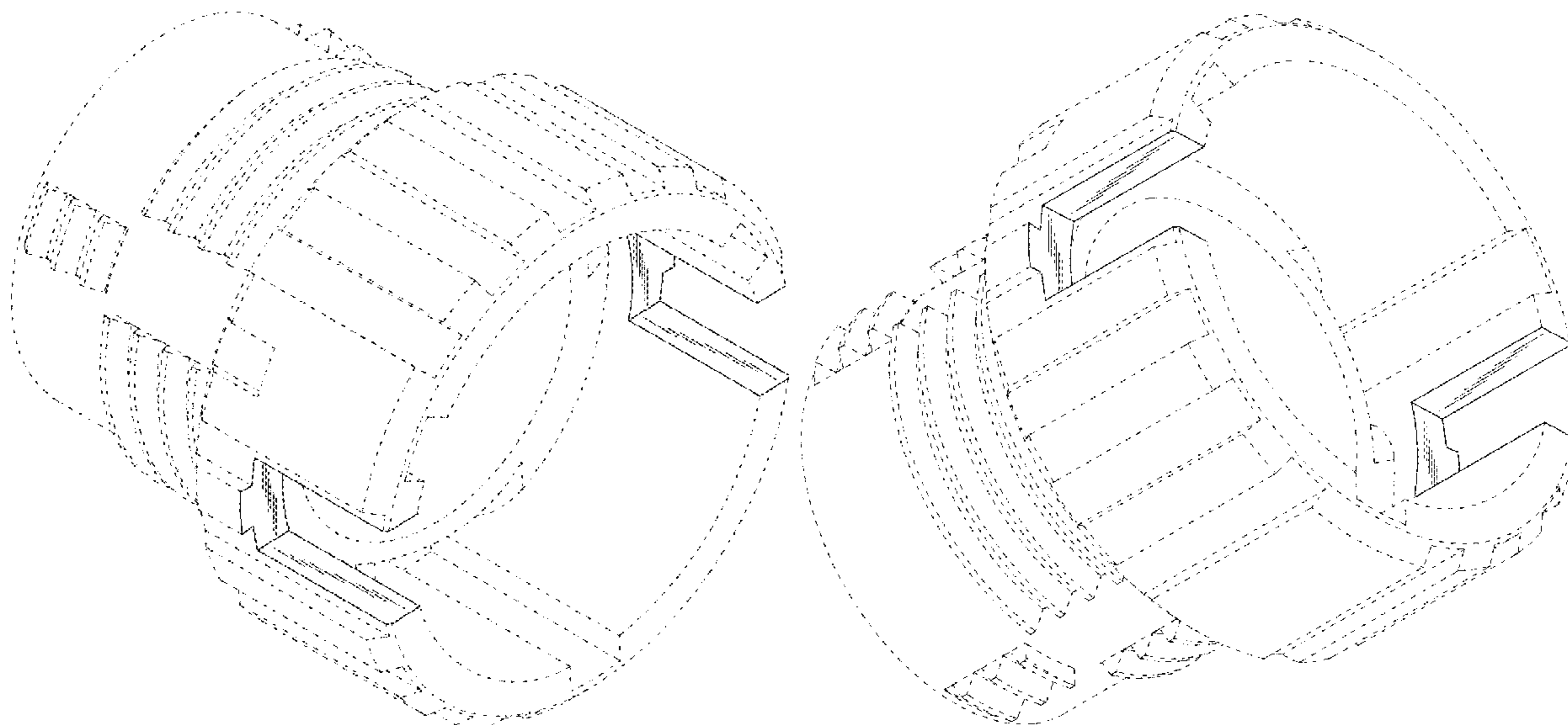
The ornamental design for an electric connector, as shown and described.

DESCRIPTION

FIG. 1 is a top, front, and left side perspective view of an electric connector showing my new design;
 FIG. 2 is a top, rear, and right side perspective view thereof;
 FIG. 3 is a front view thereof;
 FIG. 4 is a rear view thereof;
 FIG. 5 is a left side view thereof;
 FIG. 6 is a right side view thereof;
 FIG. 7 is a top view thereof;
 FIG. 8 is a bottom view thereof;
 FIG. 9 is a top, front, and right side perspective view of a coupling part shown in FIGS. 1-8; and,
 FIG. 10 is a bottom, front, and right side perspective view thereof.

The dashed broken lines in the figures show portions of the electric connector that form no part of the claimed design.

1 Claim, 9 Drawing Sheets



(56)

References Cited

U.S. PATENT DOCUMENTS

2015/0087187 A1* 3/2015 Kifedjian H01R 13/701
439/620.01
2020/0280148 A1* 9/2020 Otsu H01R 13/111
2021/0382247 A1* 12/2021 Tseng G02B 6/3891

FOREIGN PATENT DOCUMENTS

JP D1688144 * 6/2021
KR 3011566970001 * 3/2022
KR 3011566970002 * 3/2022
KR 3011566970003 * 3/2022
KR 3011566970004 * 3/2022

* cited by examiner

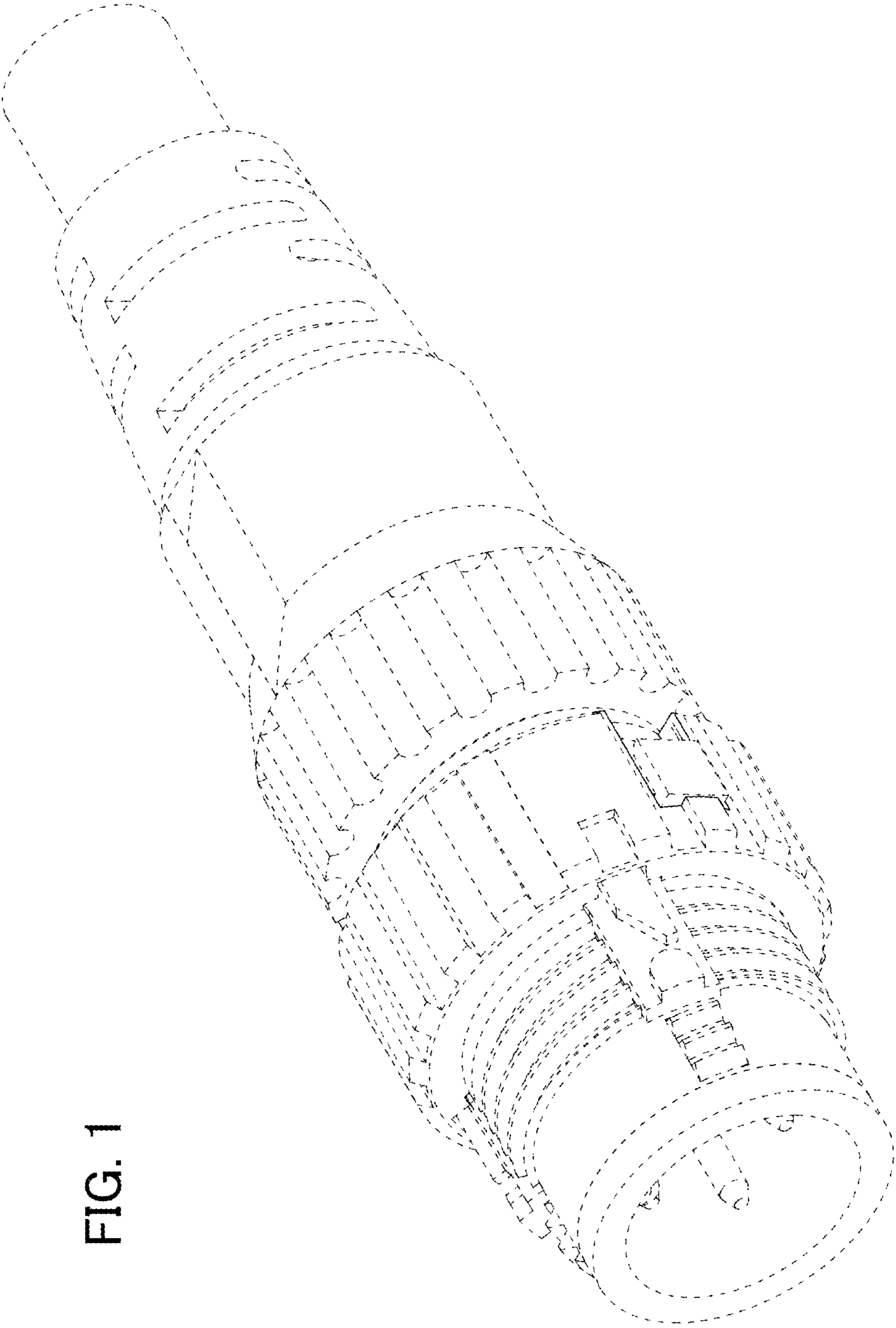


FIG. 1

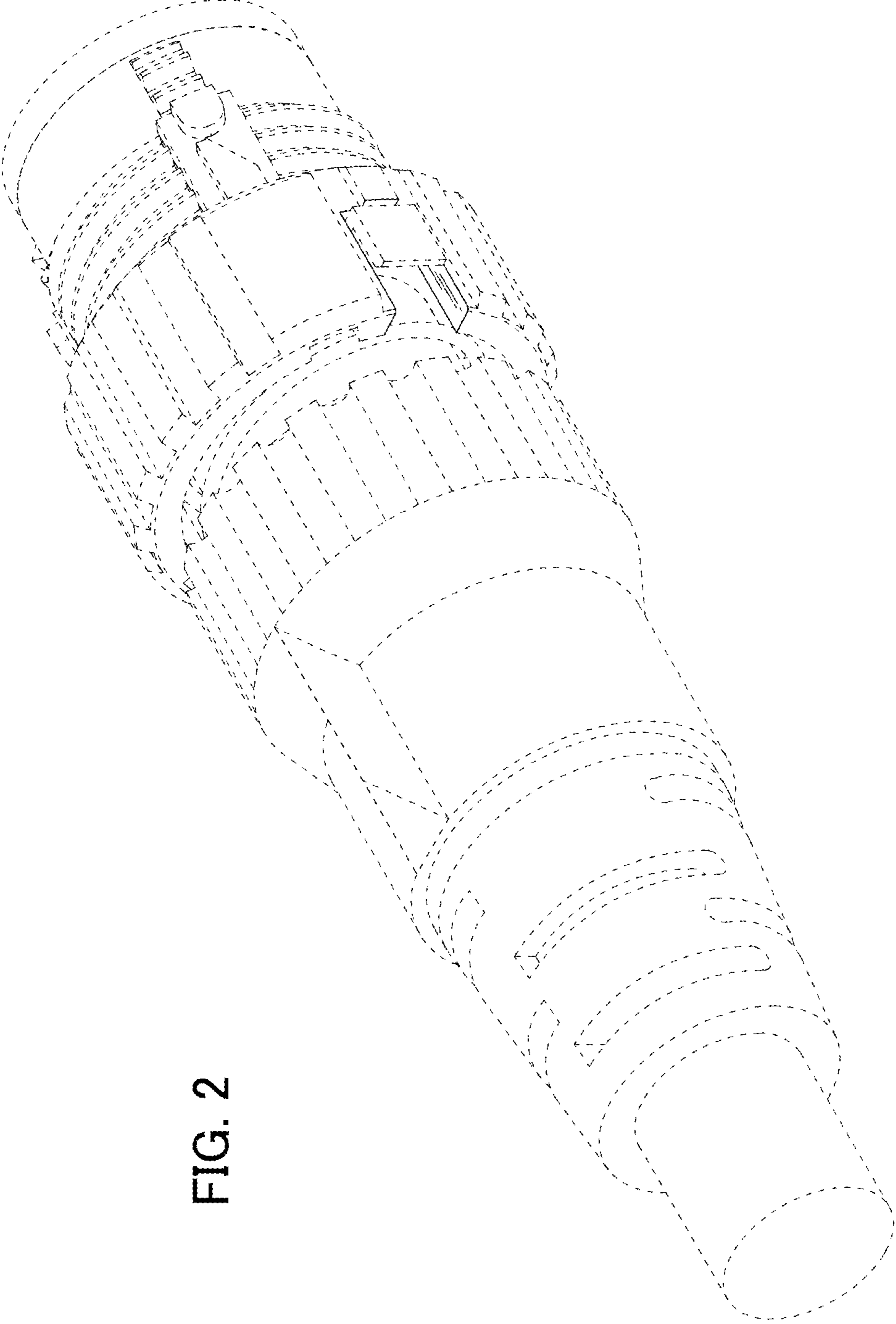


FIG. 2

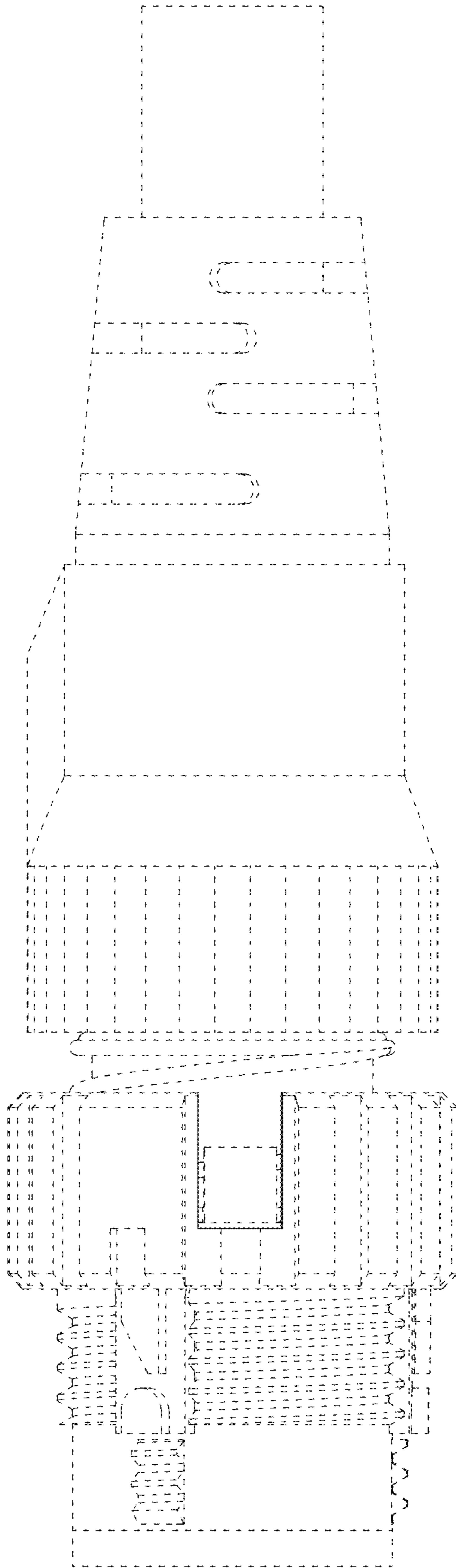


FIG. 3

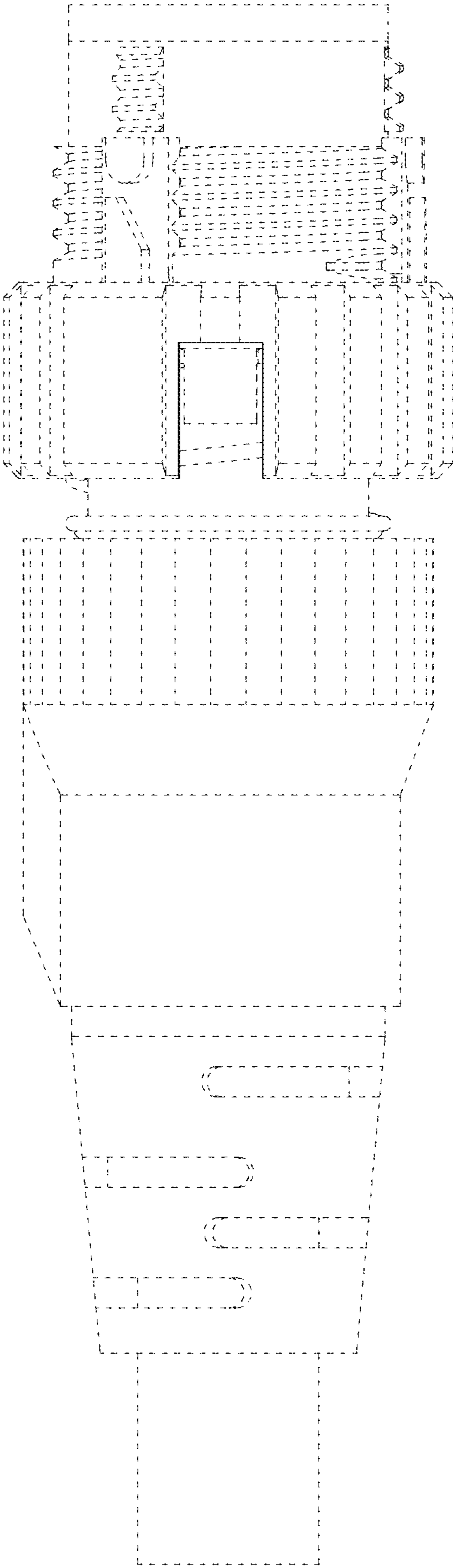


FIG. 4

FIG. 6

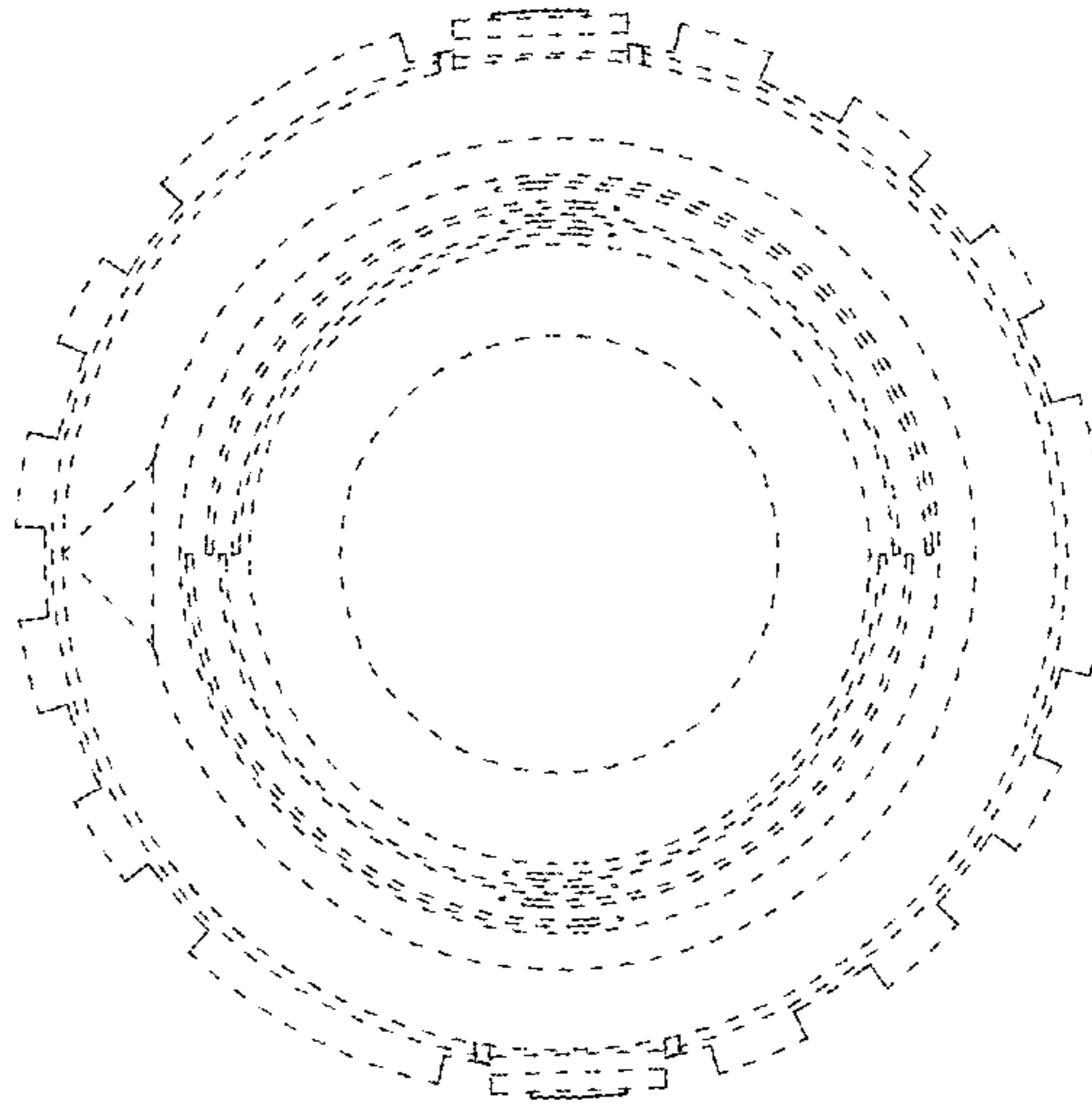


FIG. 5

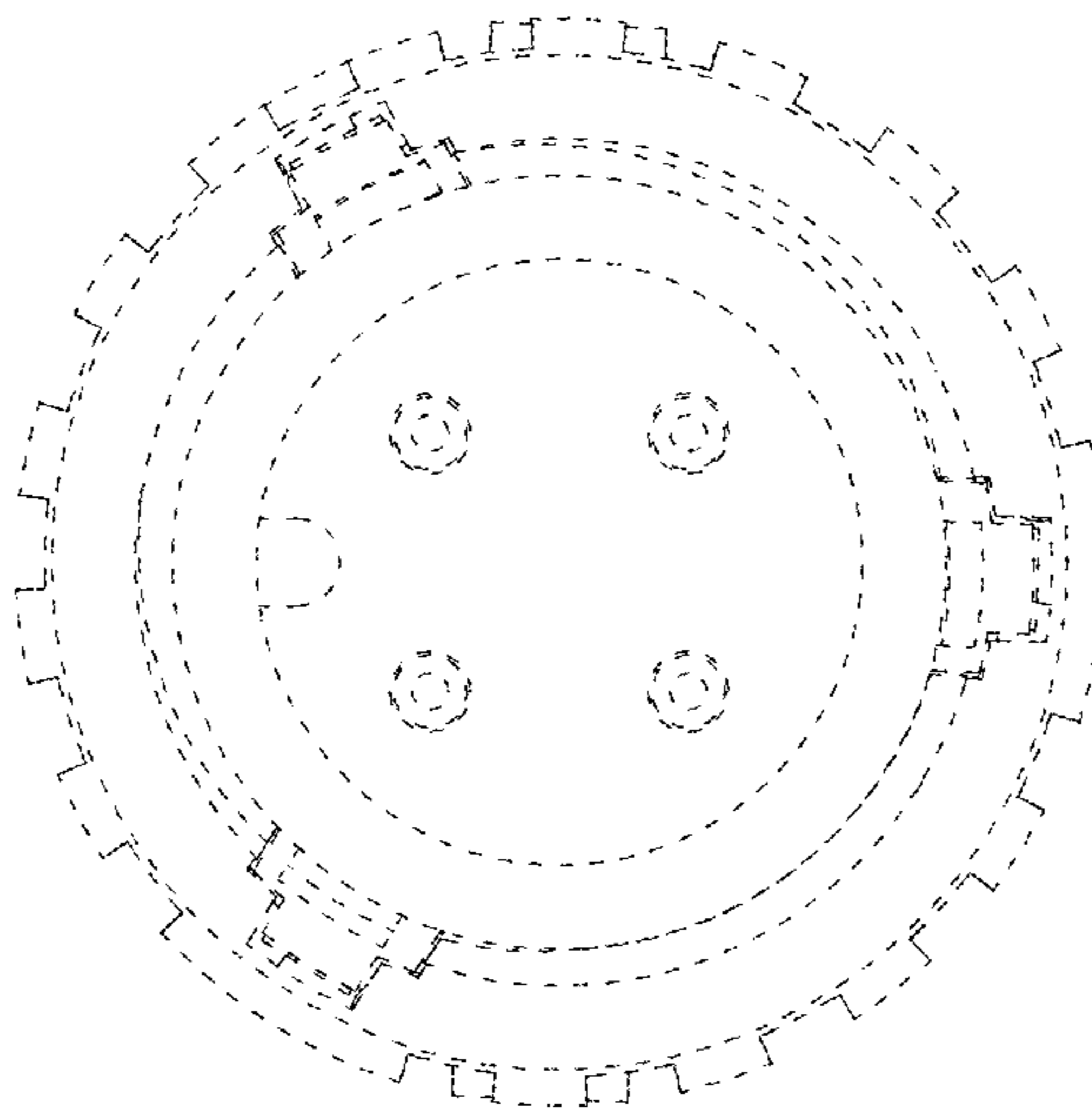


FIG. 7

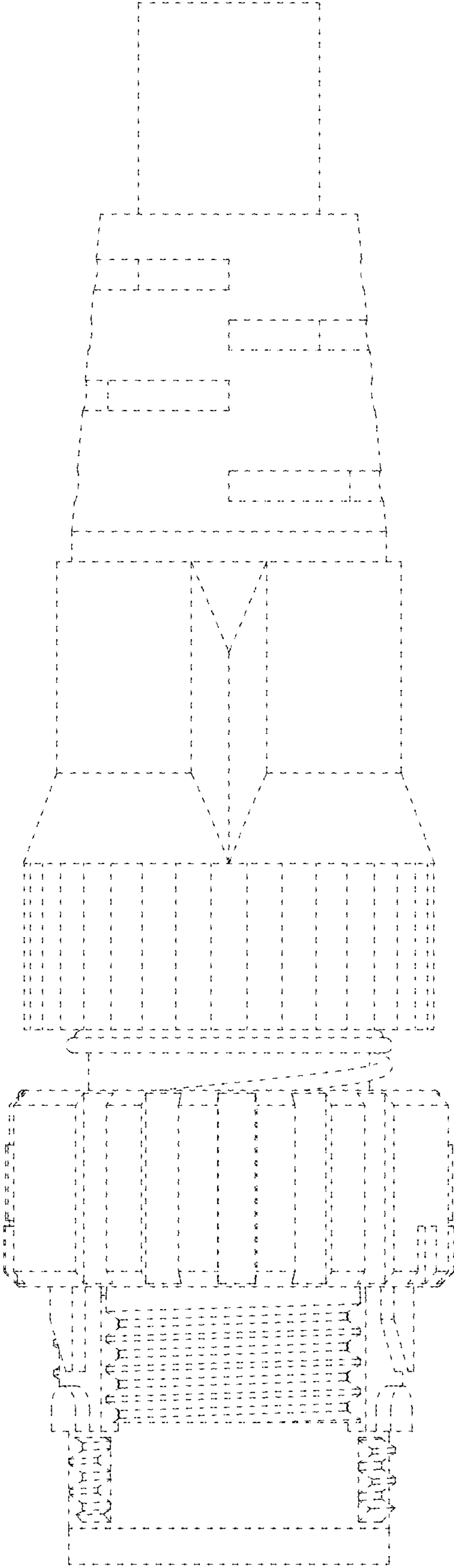
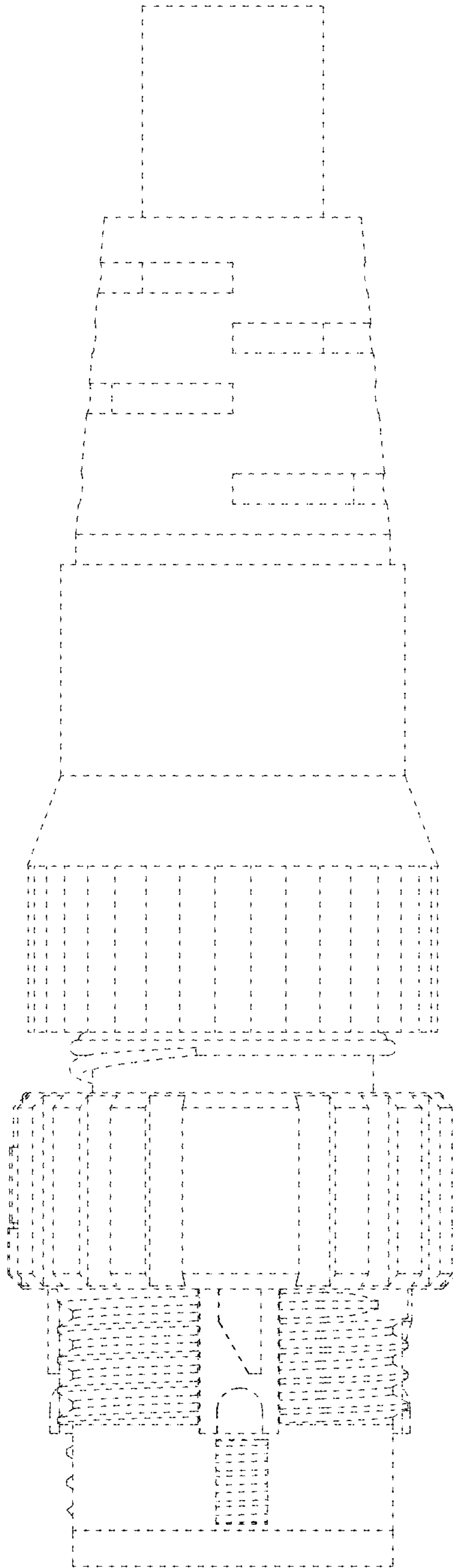


FIG. 8



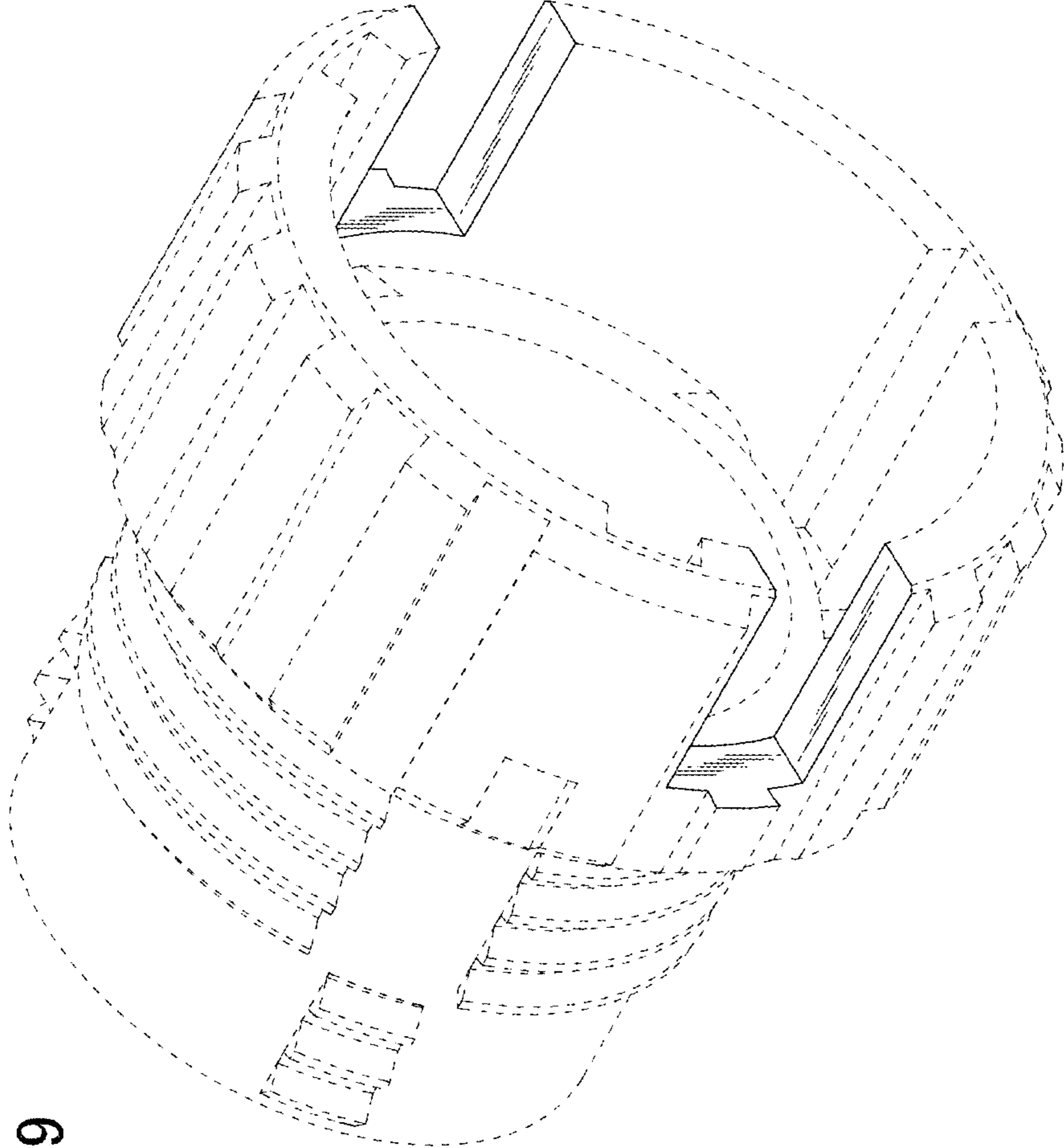


FIG. 9

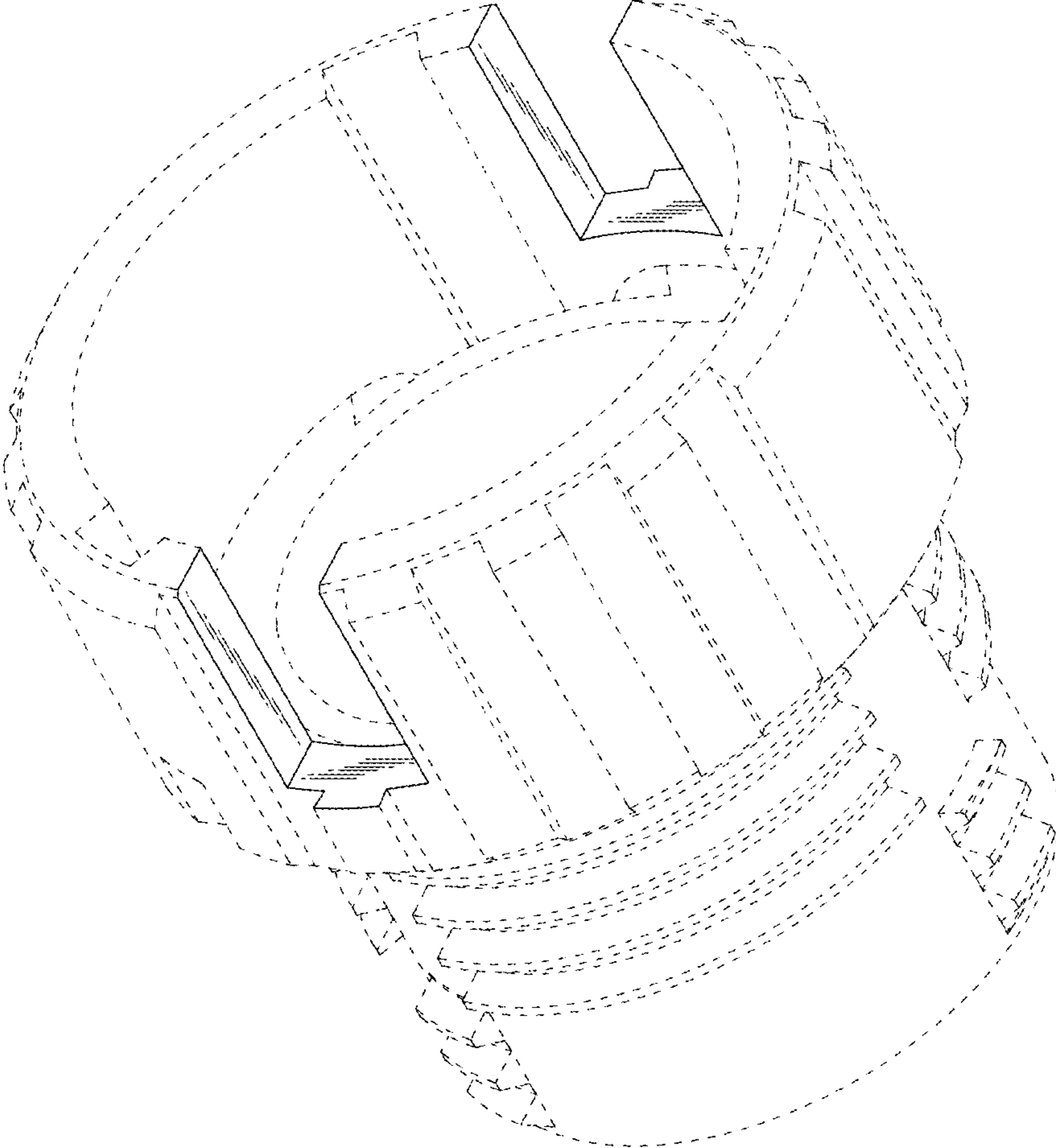


FIG. 10