



US00D971854S

(12) **United States Design Patent**
Fox et al.

(10) **Patent No.:** **US D971,854 S**
(45) **Date of Patent:** **** Dec. 6, 2022**

(54) **MOUNTING AND JUNCTION BOX FOR LIGHTING**

FOREIGN PATENT DOCUMENTS

(71) Applicant: **Fox Hardwood Lumber Company, L.L.C.**, Franklin, TN (US)

CN 304393438 * 12/2017

Primary Examiner — Rosemary K Tarcza

Assistant Examiner — Seth David Kumpf

(72) Inventors: **Samuel Fox**, Franklin, TN (US);
Tommy Fox, Franklin, TN (US)

(74) *Attorney, Agent, or Firm* — Shane Cortesi

(73) Assignee: **FOX HARDWOOD LUMBER COMPANY, L.L.C.**, Franklin, TN (US)

(57) **CLAIM**

(**) Term: **15 Years**

The ornamental design for a mounting and junction box for lighting, as shown and described.

(21) Appl. No.: **29/720,158**

(22) Filed: **Jan. 10, 2020**

DESCRIPTION

(51) **LOC (13) Cl.** **13-03**

(52) **U.S. Cl.**

USPC **D13/152**

(58) **Field of Classification Search**

USPC D13/107, 108, 110, 137.1, 137.2, 137.3,
D13/137.4, 138.1, 138.2, 139.1, 139.2,
D13/139.3, 139.4, 139.5, 139.6, 139.7,
D13/139.8, 146, 151, 152, 153, 154, 158,
D13/159, 160, 161, 162, 162.1, 163, 164,
D13/165, 166, 167, 168, 169, 171, 172,
D13/173, 174, 175, 176, 177, 178, 179,
D13/184, 199

CPC H01R 13/00; H01R 13/03; H01R 13/04;
H01R 13/10; H01R 13/35; H01R 13/44;
H01R 13/46; H01R 13/453; H01R
13/4534;

(Continued)

FIG. 1 is a top perspective view of a mounting and junction box for lighting in accordance with the present invention.

FIG. 2 is a bottom perspective view showing the mounting and junction box of FIG. 1.

FIG. 3 is a front elevation view showing the mounting and junction box of FIG. 1, with the rear being a mirror image thereof.

FIG. 4 is a top plan view showing the mounting and junction box of FIG. 1.

FIG. 5 is a bottom plan view showing the mounting and junction box of FIG. 1.

FIG. 6 is a left elevation view showing the mounting and junction box of FIG. 1.

FIG. 7 is a right elevation view showing the mounting and junction box of FIG. 1.

FIG. 8 is a top perspective view with the lid separated showing the mounting and junction box of FIG. 1; and,

FIG. 9 is a top perspective view with the lid not separated showing the mounting and junction box of FIG. 1.

The broken lines shown in the drawings are for the purpose of illustrating portions of the mounting and junction box that form no part of the claimed design. The broken lines shown in FIG. 9 are for the purpose of illustrating environmental structure and form no part of the claimed design.

(56) **References Cited**

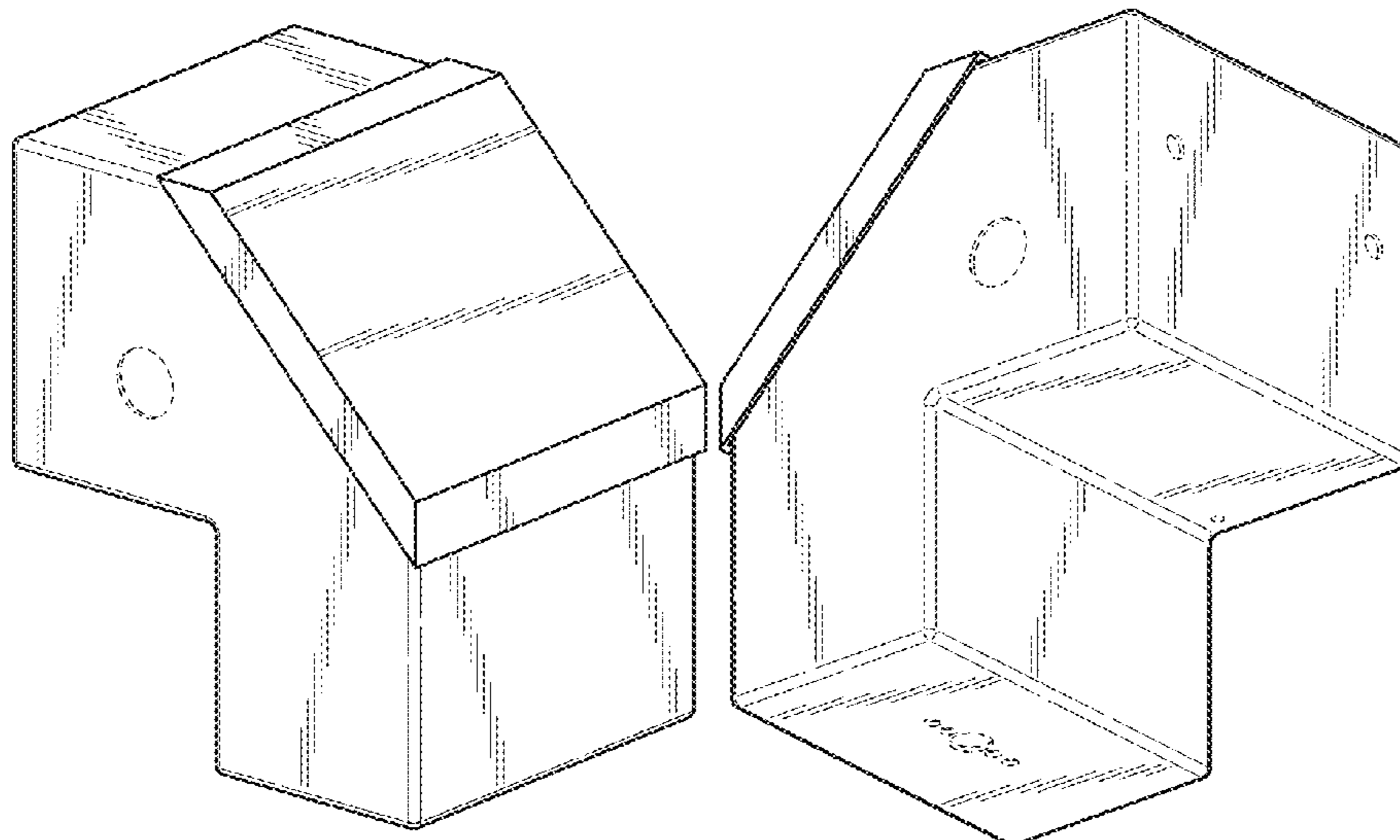
U.S. PATENT DOCUMENTS

2,581,755 A * 1/1952 Dieffenderfer H02G 3/123
220/3.6

3,651,441 A * 3/1972 Boudouris H02B 1/50
174/559

(Continued)

1 Claim, 5 Drawing Sheets



(58) **Field of Classification Search**

CPC . H01R 13/502; H01R 13/506; H01R 13/514;
H01R 13/518; H01R 13/6272; H01R
13/631; H01R 13/639; H01R 13/652;
H01R 13/665; H01R 13/6633; H01R
13/6666; H01R 13/6675; H01R 13/7135;
H01R 31/02; H01R 31/06; H01R 31/065;
H01R 25/00; H01R 25/006; H01R 9/00;
H01R 11/00; H01R 35/04; H01R
2201/06; H01H 2207/00; H01H
2207/022; H01H 2203/00; H05K 5/00;
H05K 5/03; H02G 3/088

See application file for complete search history.

(56) **References Cited**

U.S. PATENT DOCUMENTS

D250,949 S *	1/1979	Reis	D13/158
D259,418 S *	6/1981	Allen	D13/184
D860,996 S *	9/2019	Jhun	D14/432
11,156,331 B2 *	10/2021	Fox	F21V 23/001
2019/0148874 A1 *	5/2019	Sorrentino	H01R 13/5213 439/136
2022/0014003 A1 *	1/2022	Bogart	H02G 3/088

* cited by examiner

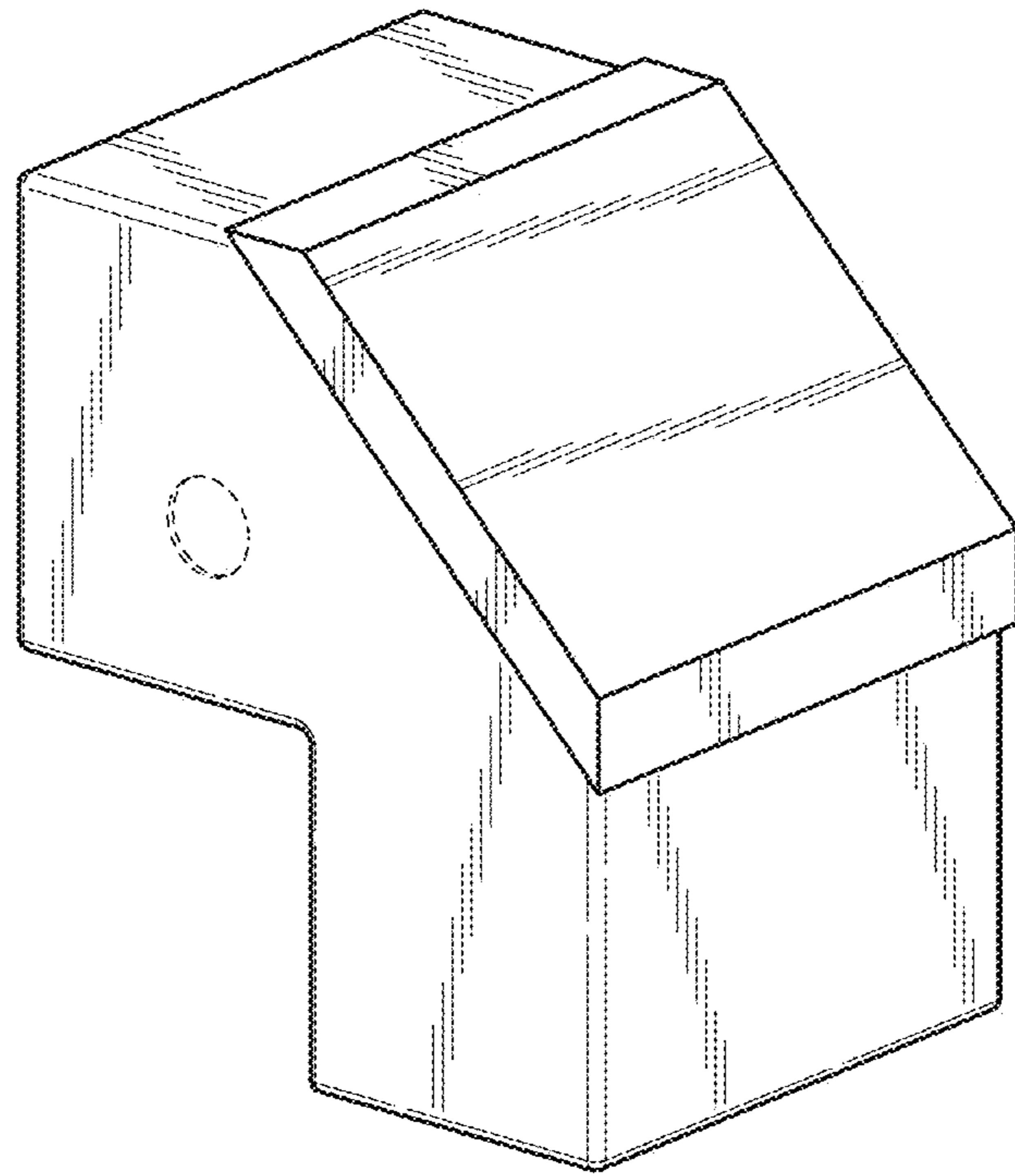


FIG. 1

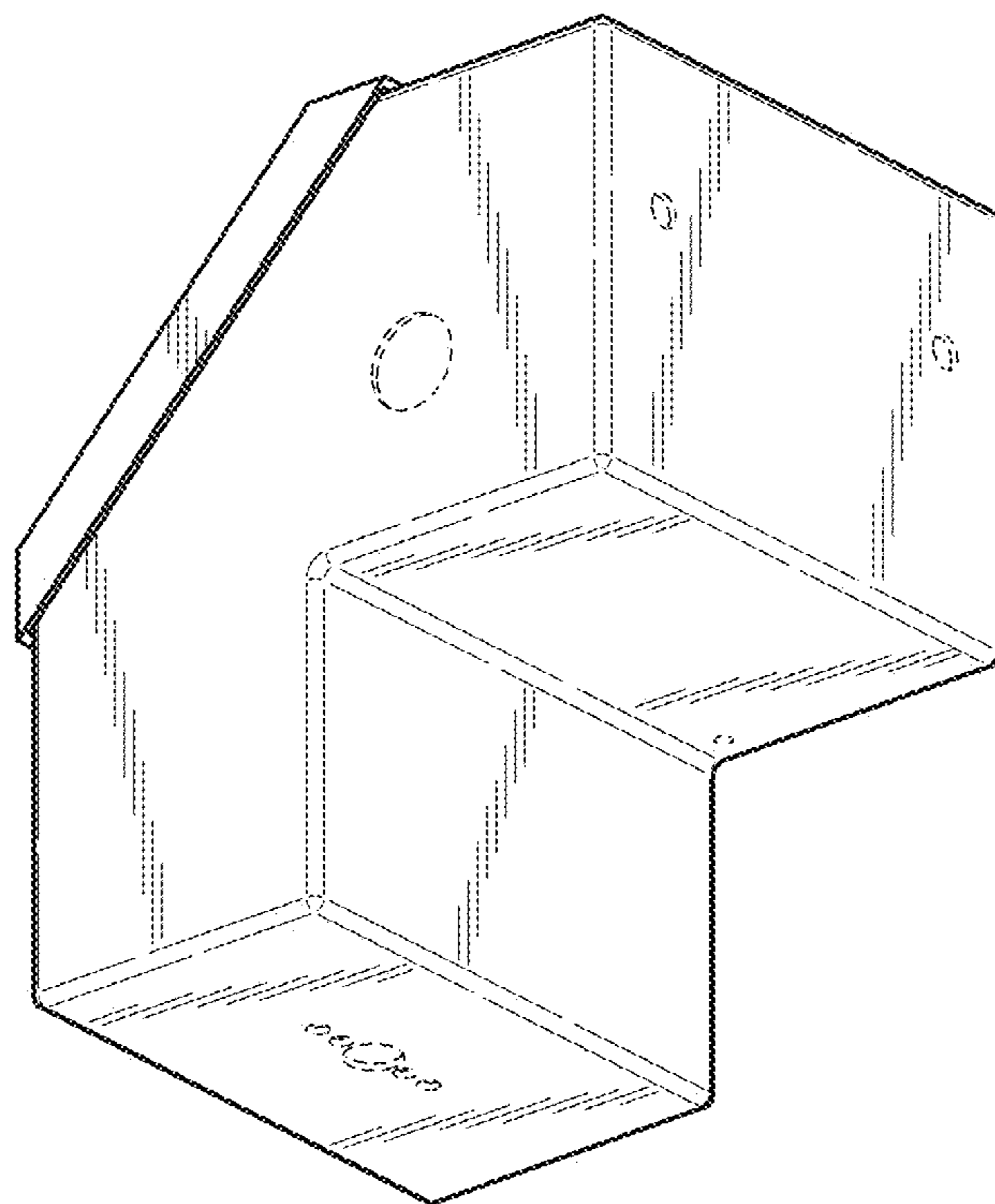


FIG. 2

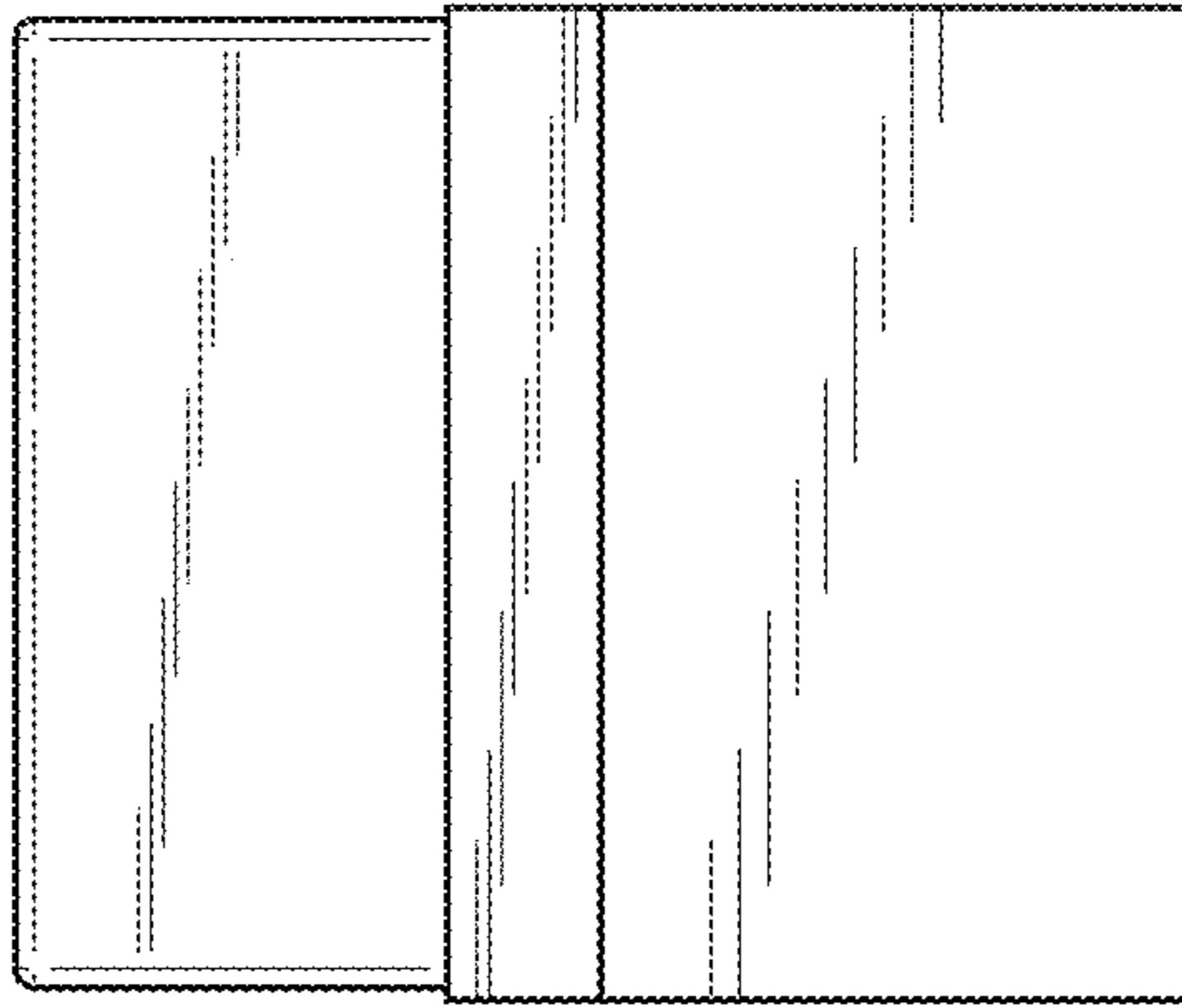


FIG. 4

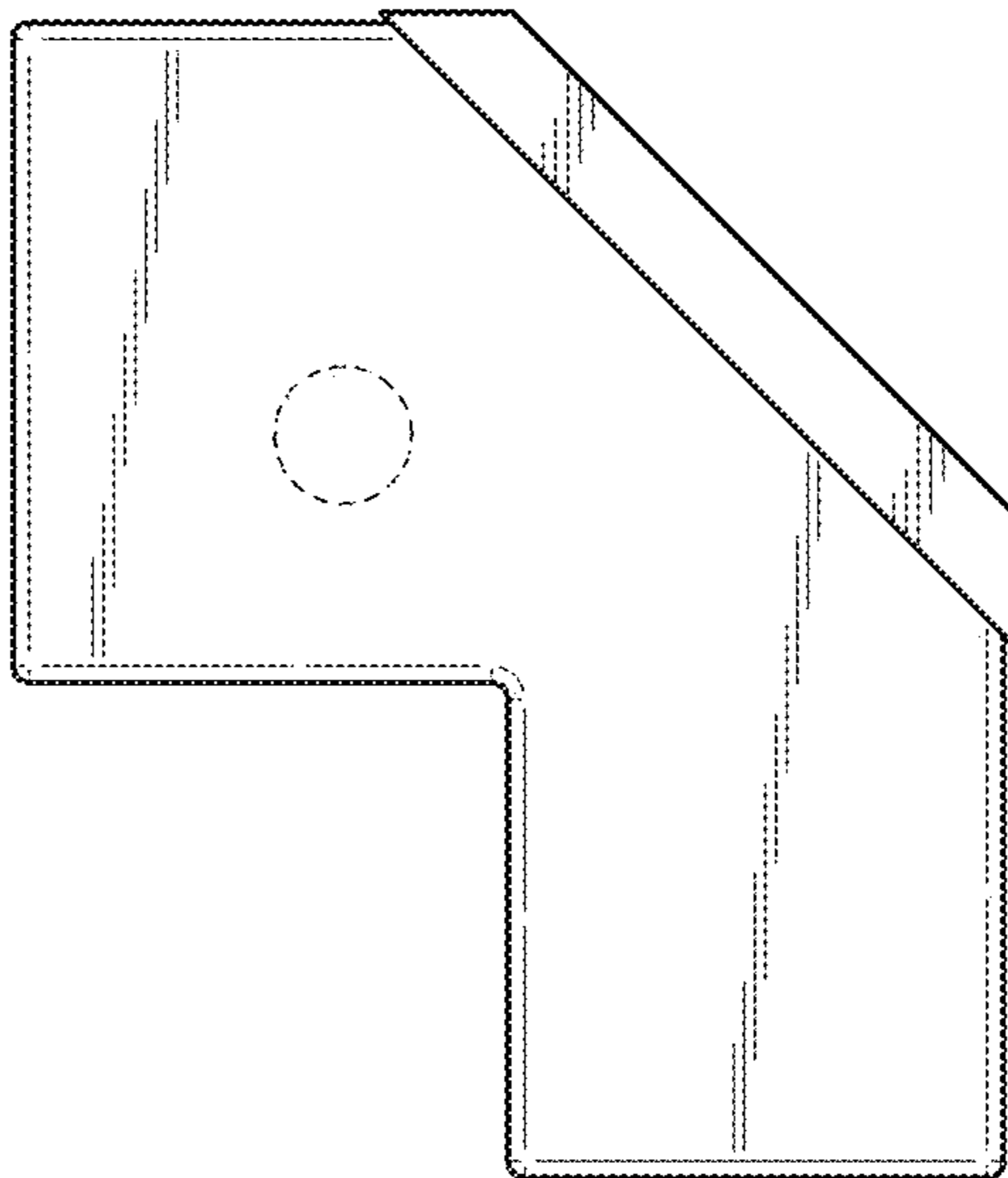


FIG. 3

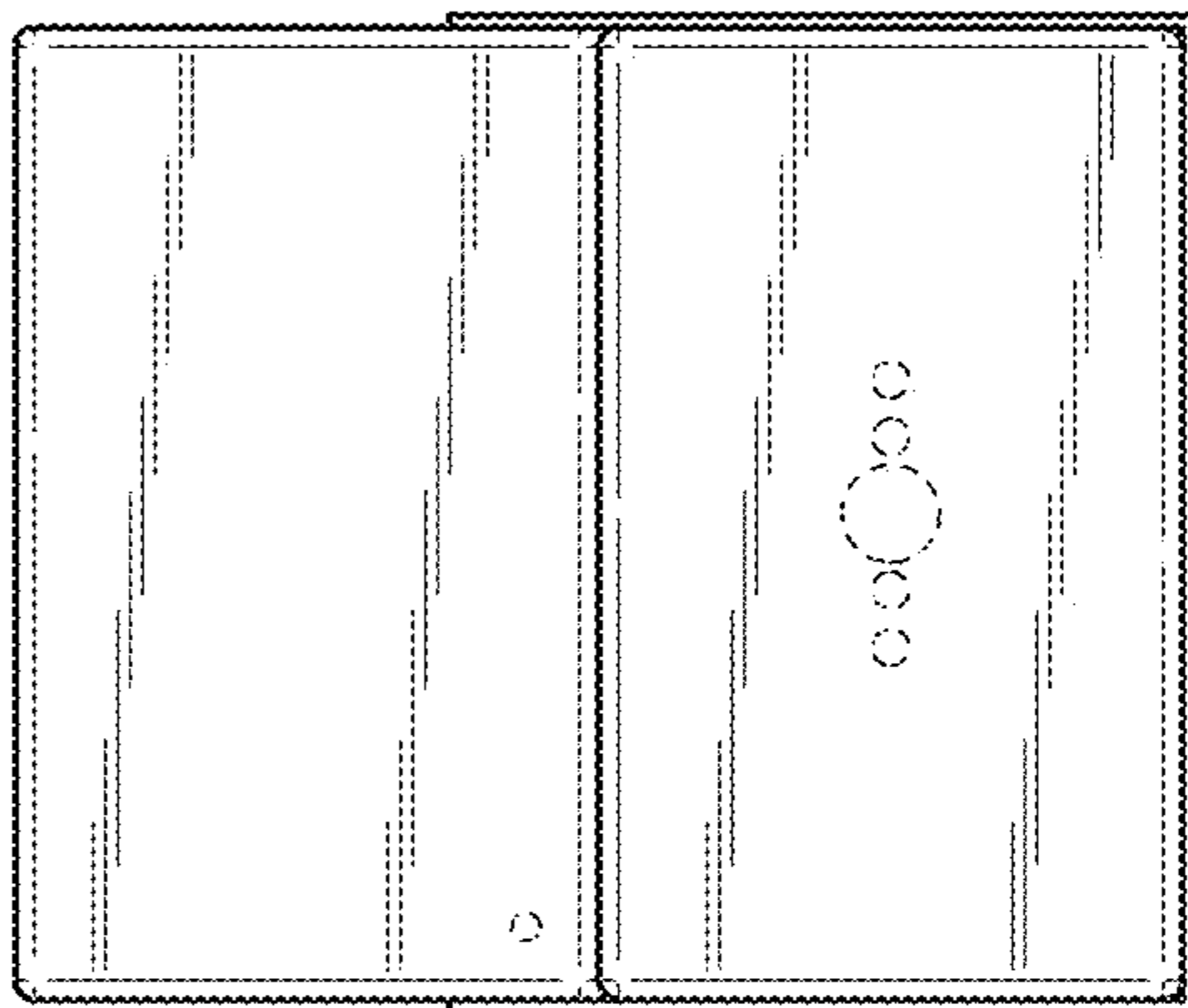


FIG. 5

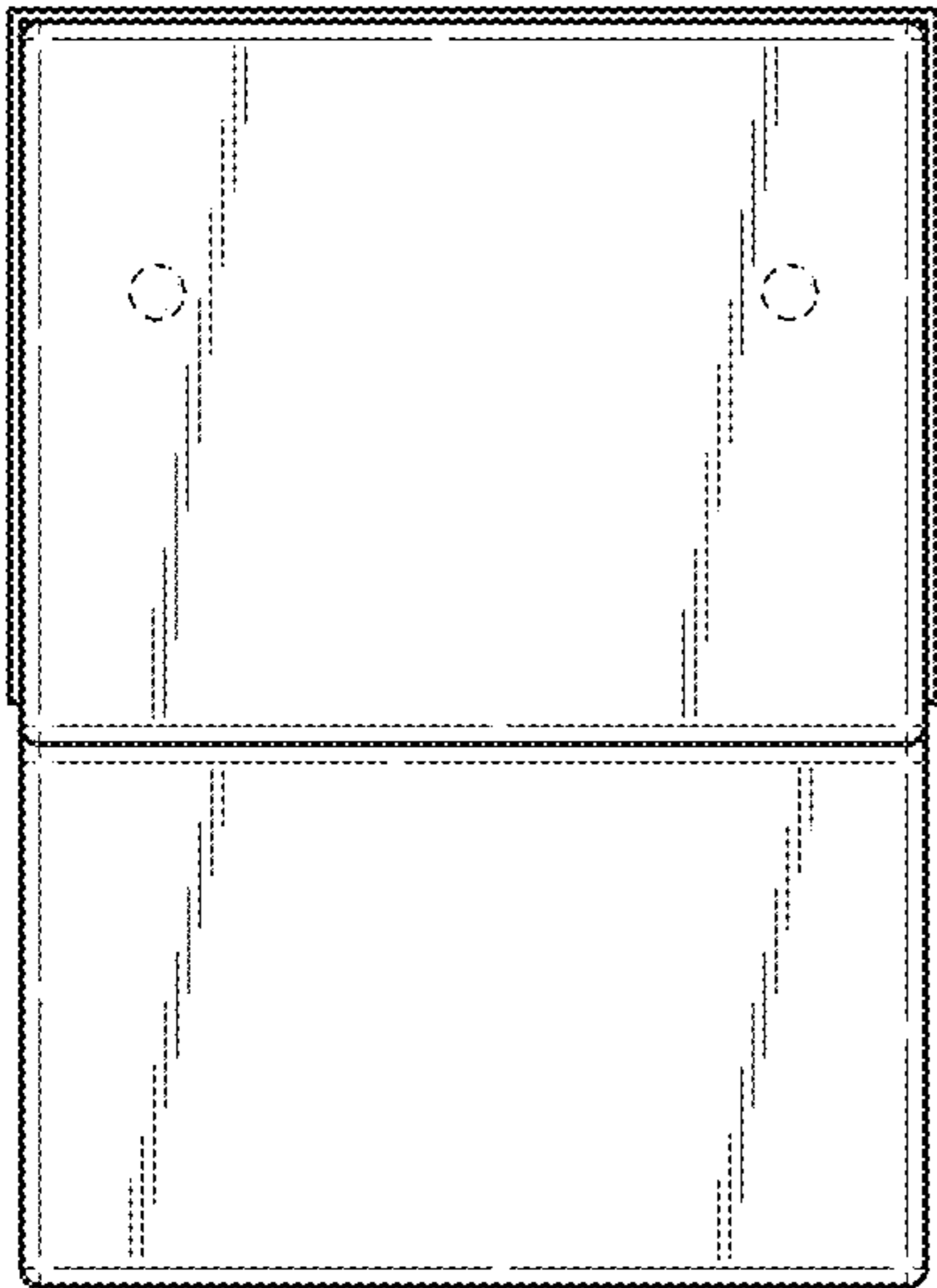


FIG. 6

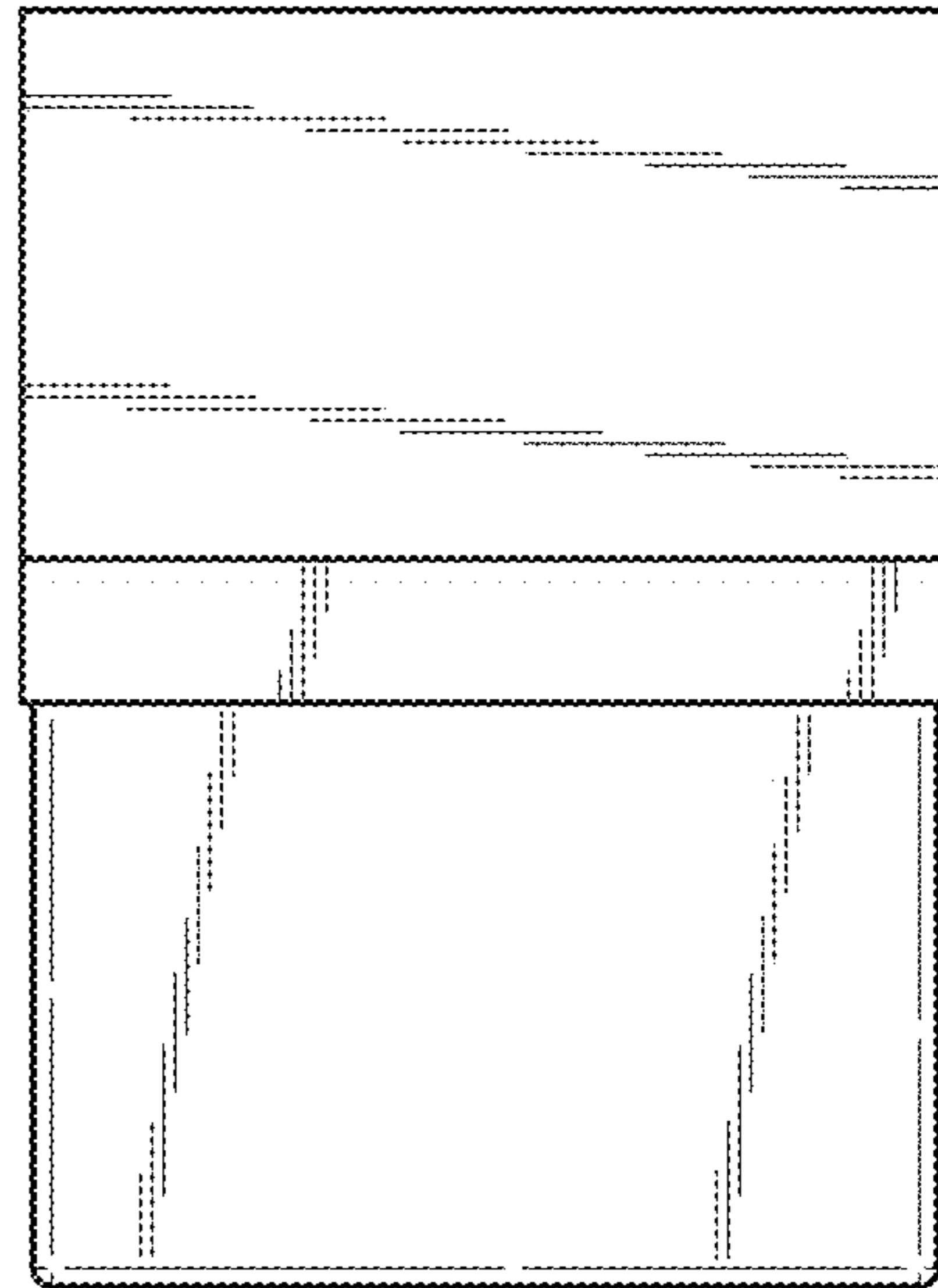


FIG. 7

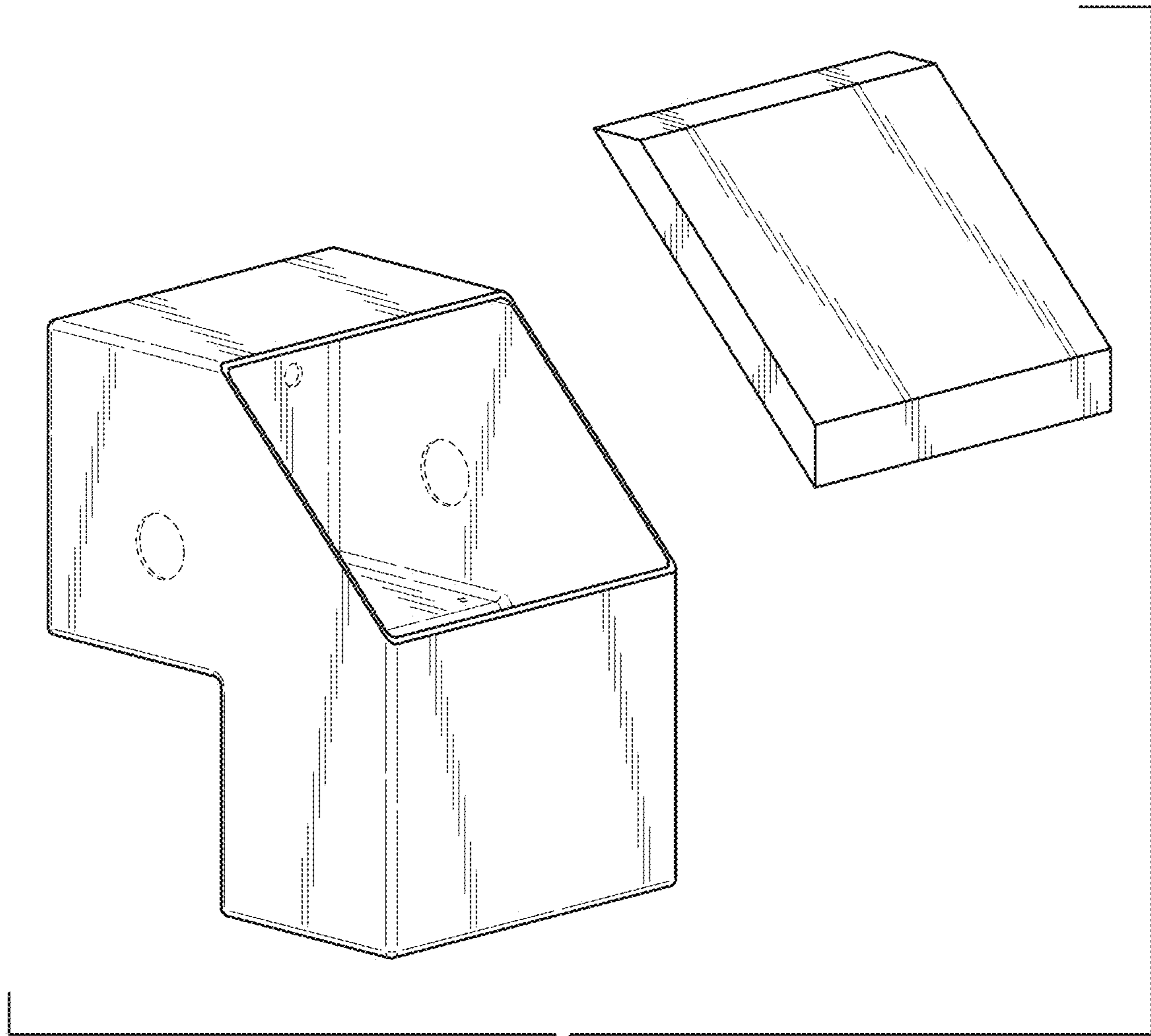


FIG. 8

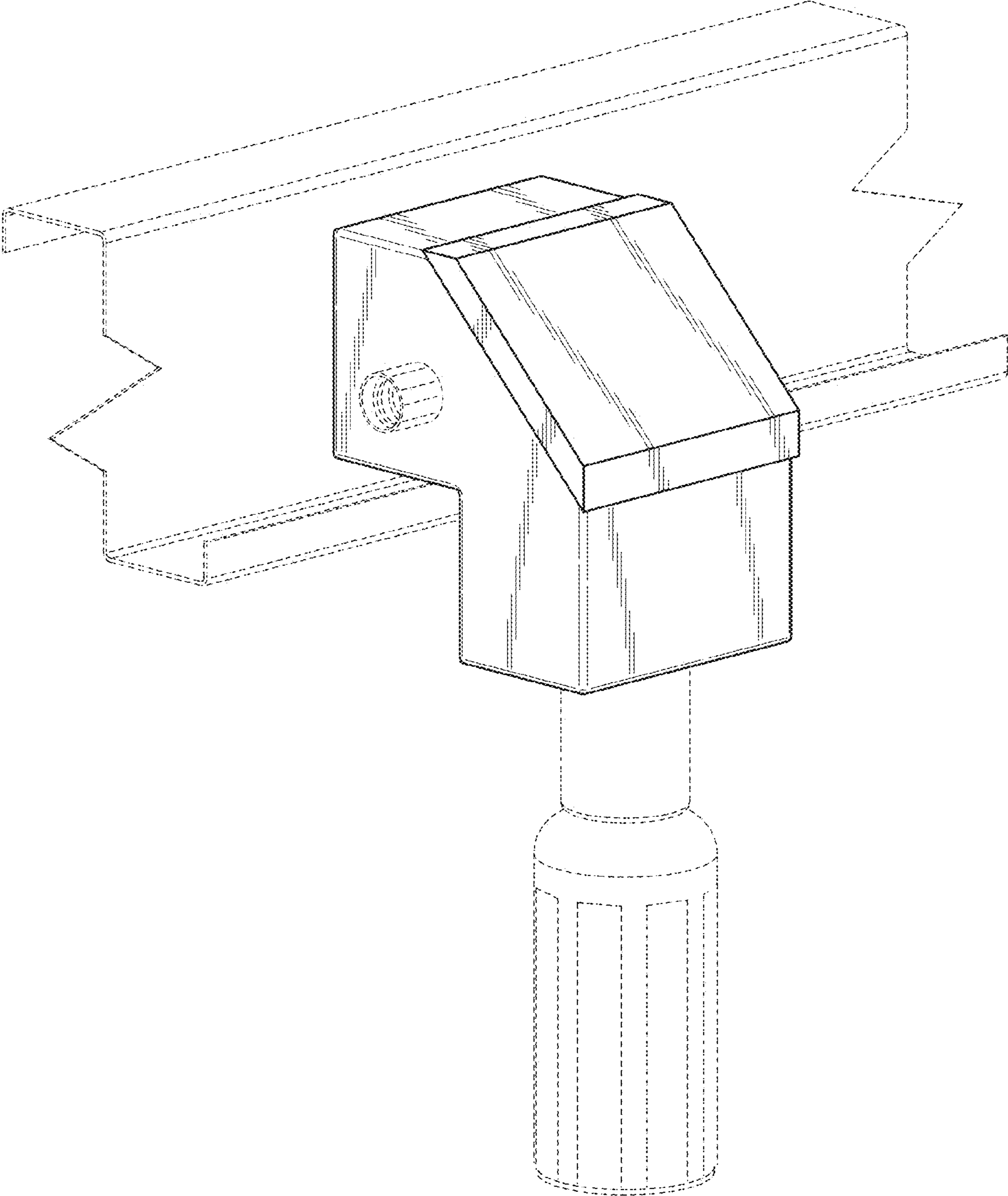


FIG. 9