



US00D971853S

(12) **United States Design Patent**
Knight et al.

(10) **Patent No.:** **US D971,853 S**
(45) **Date of Patent:** **** Dec. 6, 2022**

(54) **CARDIAC PAD WIRE CONNECTOR**

FOREIGN PATENT DOCUMENTS

(71) Applicant: **HeartHero, Inc.**, Denver, CO (US)
(72) Inventors: **Jesse Knight**, Clearwater, FL (US);
Philip J. D'Almada Remedios, Palm Harbor, FL (US)

CN 305003558 * 1/2019
CN 305202637 * 6/2019
EM 002447896-0006 * 4/2014

Primary Examiner — Bridget L Eland
(74) *Attorney, Agent, or Firm* — Avek IP, LLC

(73) Assignee: **HeartHero, Inc.**, Denver, CO (US)

(**) Term: **15 Years**

(57) **CLAIM**

(21) Appl. No.: **29/775,428**

The ornamental design for a cardiac pad wire connector, as shown and described.

(22) Filed: **Mar. 23, 2021**

(51) **LOC (13) Cl.** **13-03**

(52) **U.S. Cl.**
USPC **D13/147; D24/167**

DESCRIPTION

(58) **Field of Classification Search**
USPC D13/154, 146, 147, 123, 133,
D13/137.1-139.8, 110, 159, 184, 199;
D24/167, 216, 136
CPC H01R 24/28; H01R 13/432; H01R 27/02;
H01R 13/514; H01R 13/64; H01R
13/115; H01R 13/506; H01R 13/648;
H01R 13/62; H01R 13/04; H01R
13/6273; H01L 23/32; H01L 2924/0002;
H01L 2924/00
See application file for complete search history.

FIG. 1 is a front view of the cardiac pad wire connector showing our new design;
FIG. 2 is a front exploded view of the cardiac pad wire connector of FIG. 1 in order to show clarity and completeness of disclosure;
FIG. 3 is a rear view of the cardiac pad wire connector of FIG. 1;
FIG. 4 is a top view of the cardiac pad wire connector of FIG. 1;
FIG. 5 is a bottom view of the cardiac pad wire connector of FIG. 1;
FIG. 6 is a left view of the cardiac pad wire connector of FIG. 1;
FIG. 7 is a right view of the cardiac pad wire connector of FIG. 1;
FIG. 8 is a top perspective view of the cardiac pad wire connector of FIG. 1; and,
FIG. 9 is a bottom perspective view of the cardiac pad wire connector of FIG. 1.
In FIGS. 1-9, broken lines indicate environmental structure that forms no part of the claimed design.
The broken line bracket shown in the FIG. 2 view indicates the association of elements of the exploded view; the broken line bracket forms no part of the claimed design.

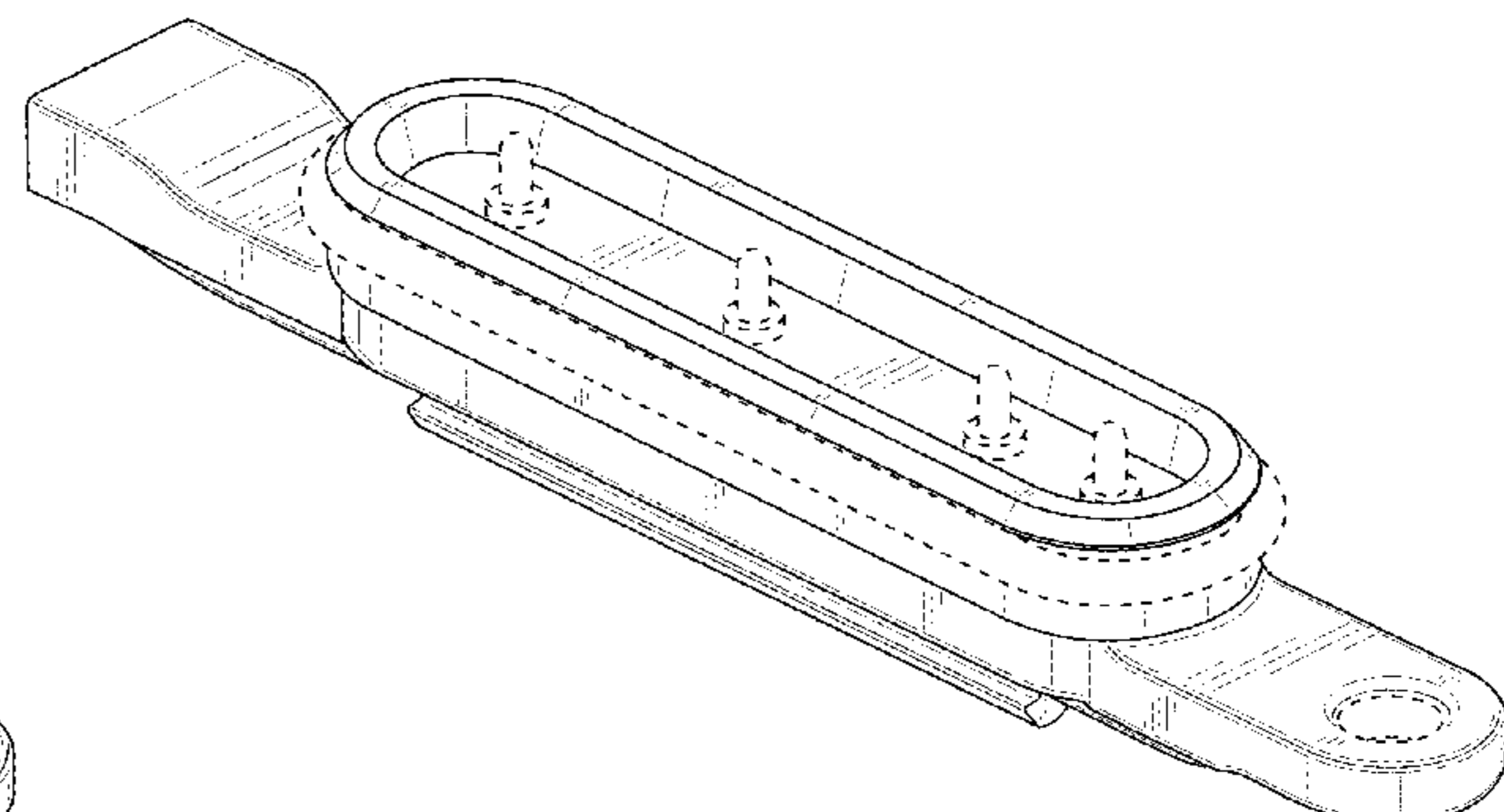
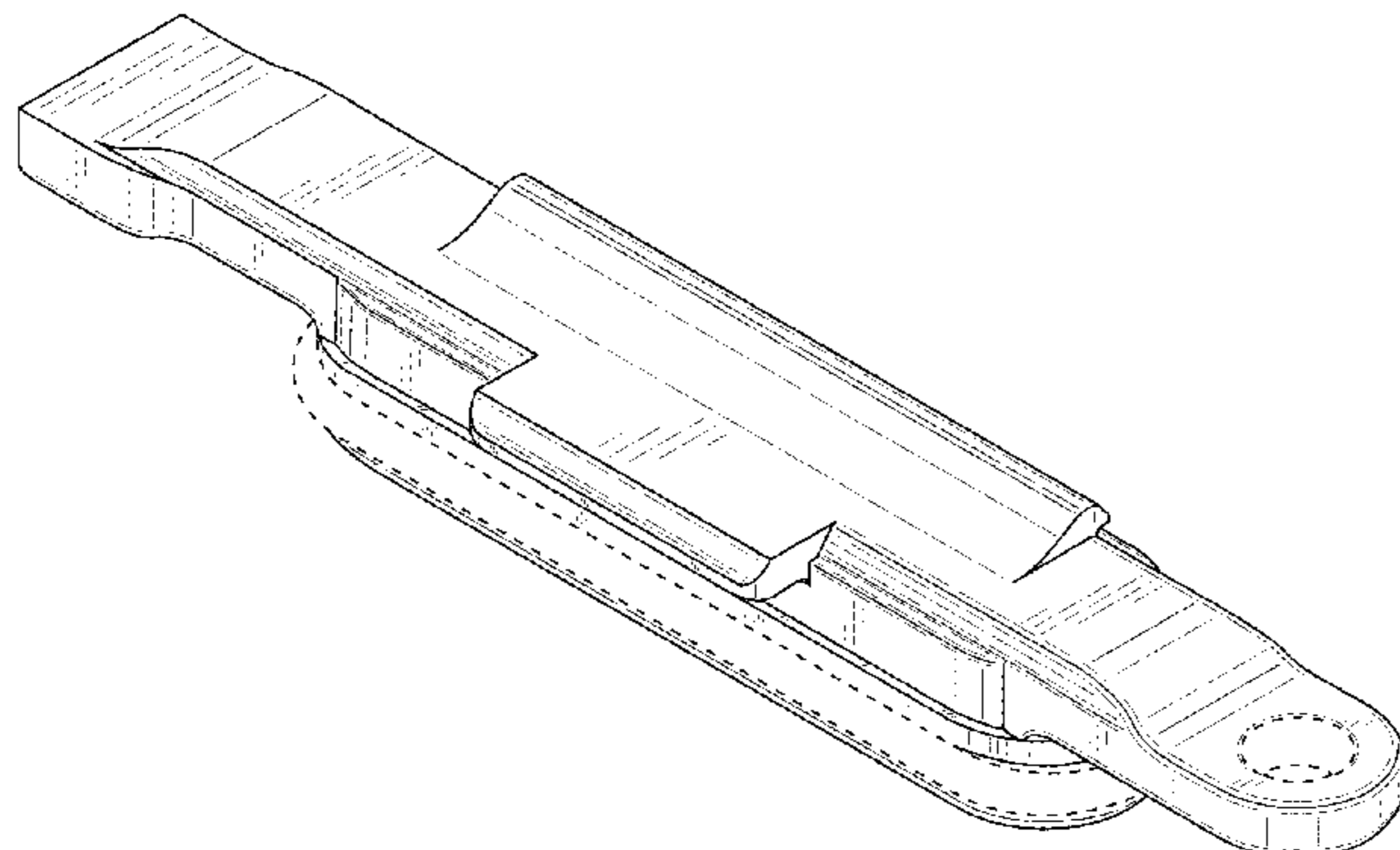
(56) **References Cited**

U.S. PATENT DOCUMENTS

D243,038 S *	1/1977	Ray	D24/167
D372,785 S *	8/1996	Sabri	D24/167
D583,319 S *	12/2008	Ishikawa	D13/133
D810,944 S *	2/2018	Goolkasian	D24/167
D825,356 S *	8/2018	Yu	D10/70
D830,556 S *	10/2018	Sebban	D24/167
D837,623 S *	1/2019	Powers	D13/199
D839,203 S *	1/2019	Zhu	D13/147
D918,149 S *	5/2021	Adelmann	D13/147
2011/0013400 A1 *	1/2011	Kanno	F21V 23/06 439/78

(Continued)

1 Claim, 9 Drawing Sheets



(56)

References Cited

U.S. PATENT DOCUMENTS

2017/0069993 A1* 3/2017 Wagman H01R 43/16
2018/0375244 A1* 12/2018 Wagman H01R 13/428

* cited by examiner

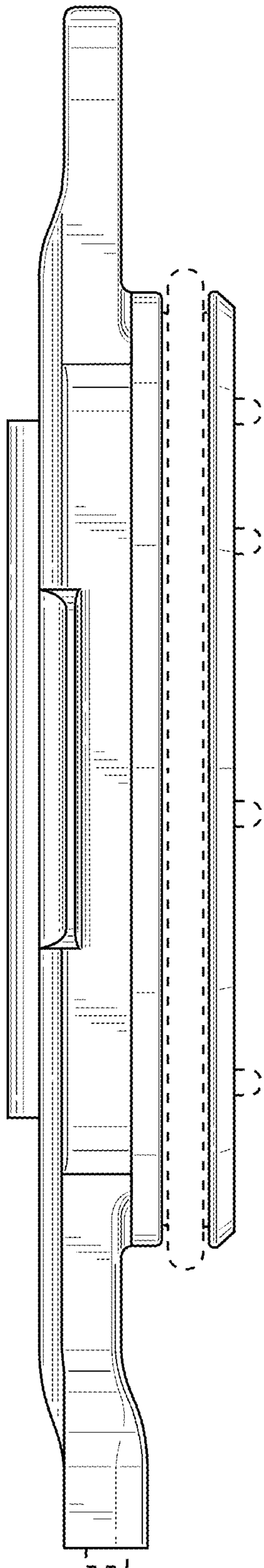


FIG. 1

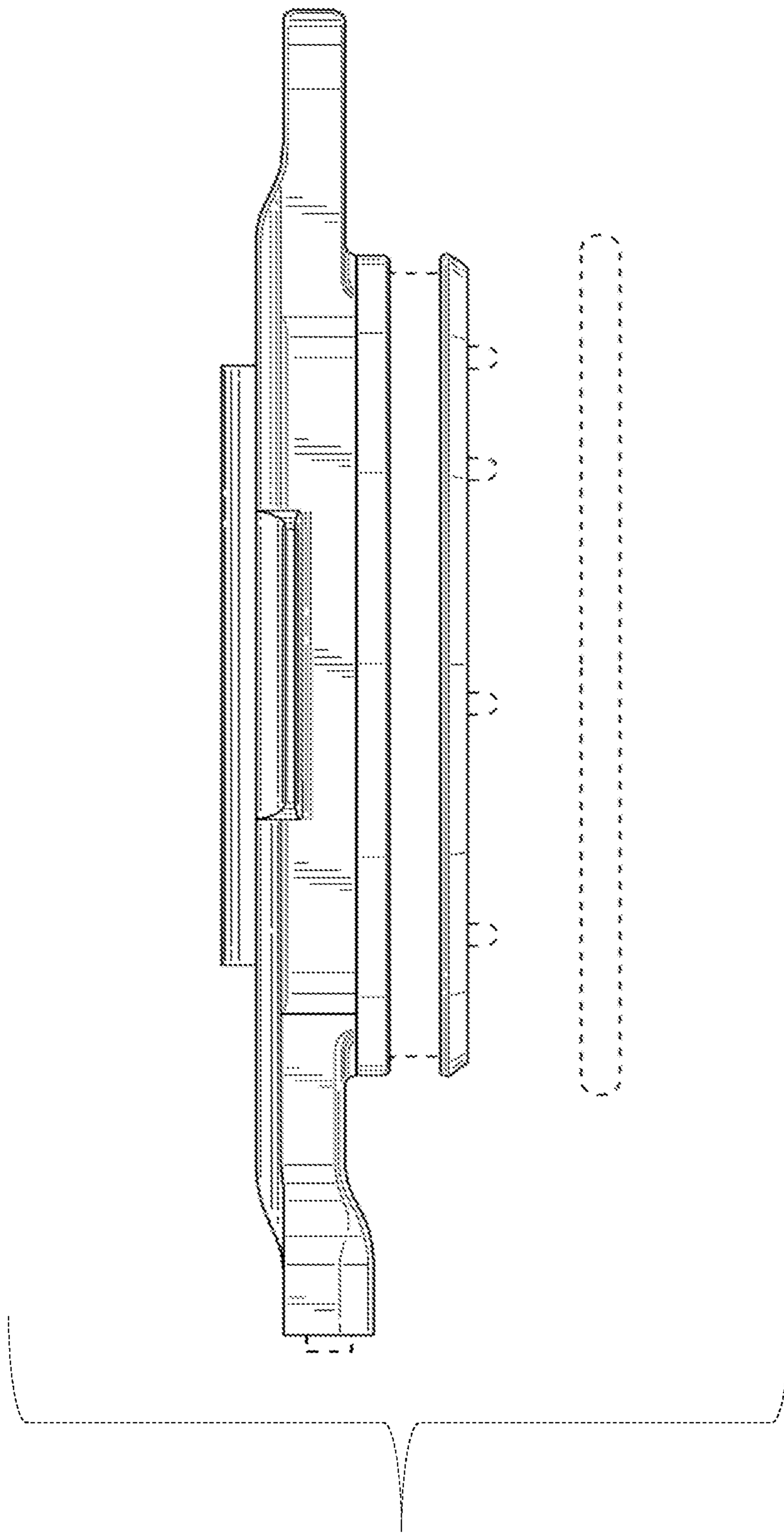


FIG. 2

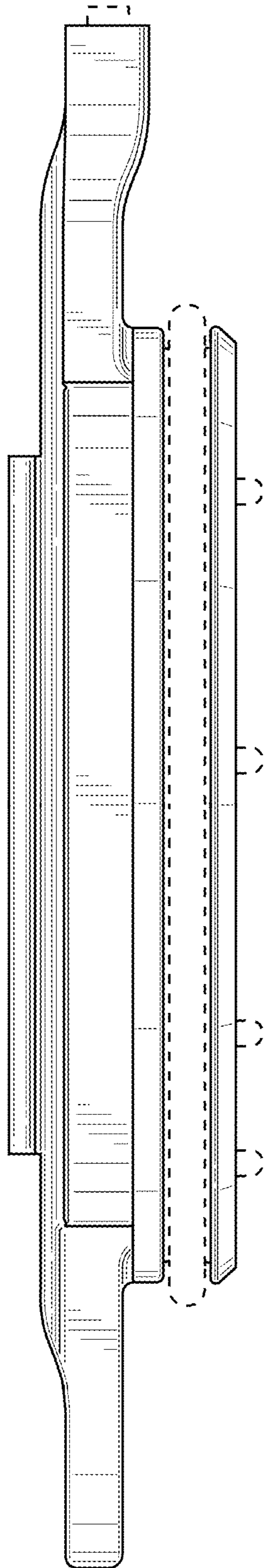


FIG. 3

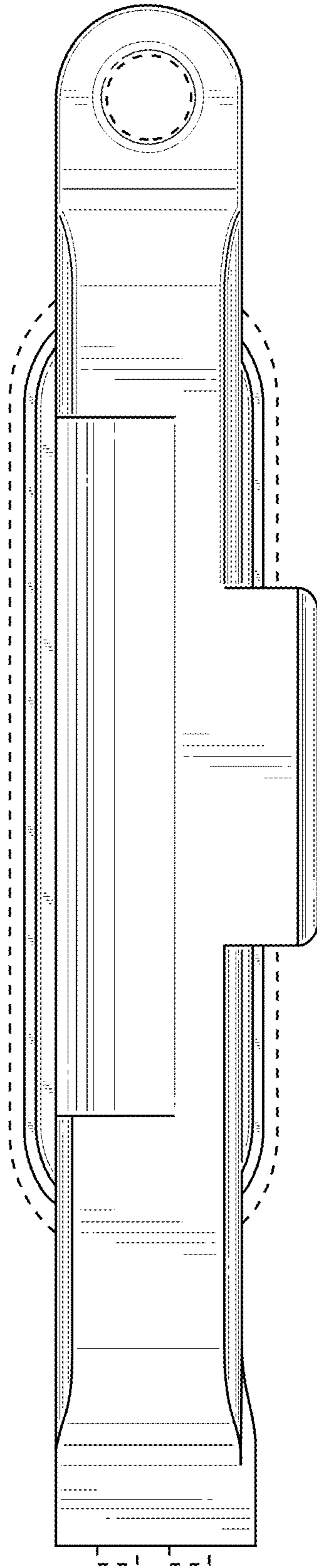


FIG. 4

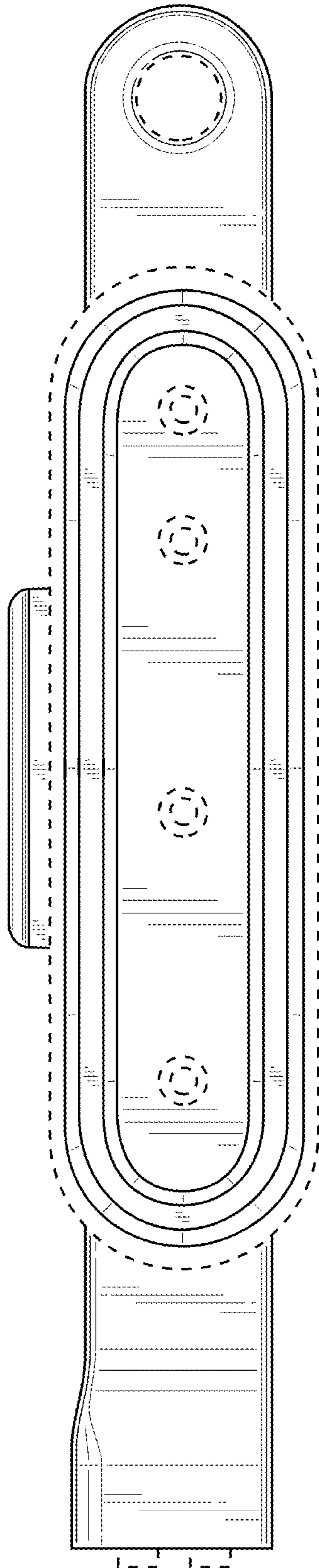


FIG. 5

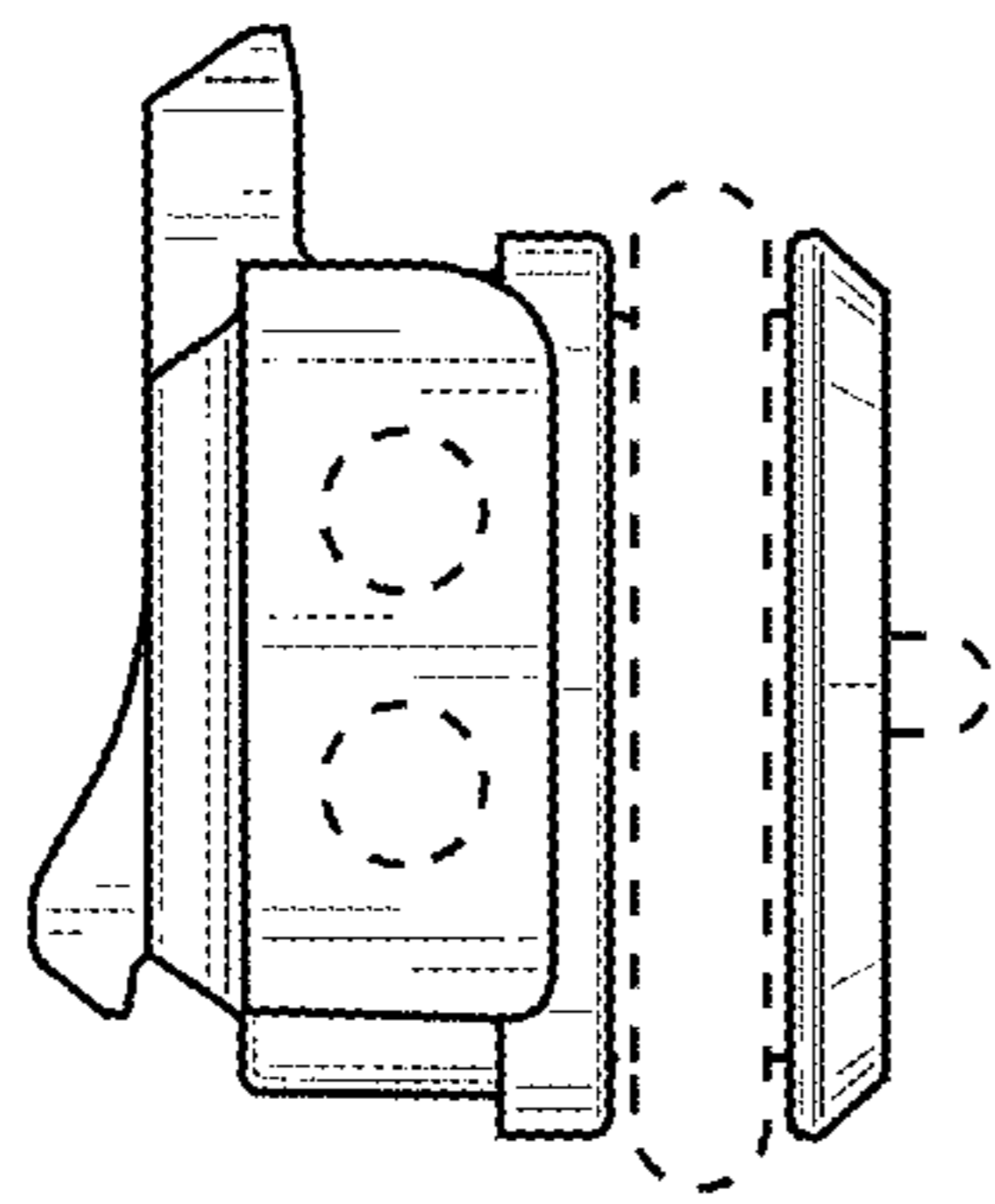


FIG. 6

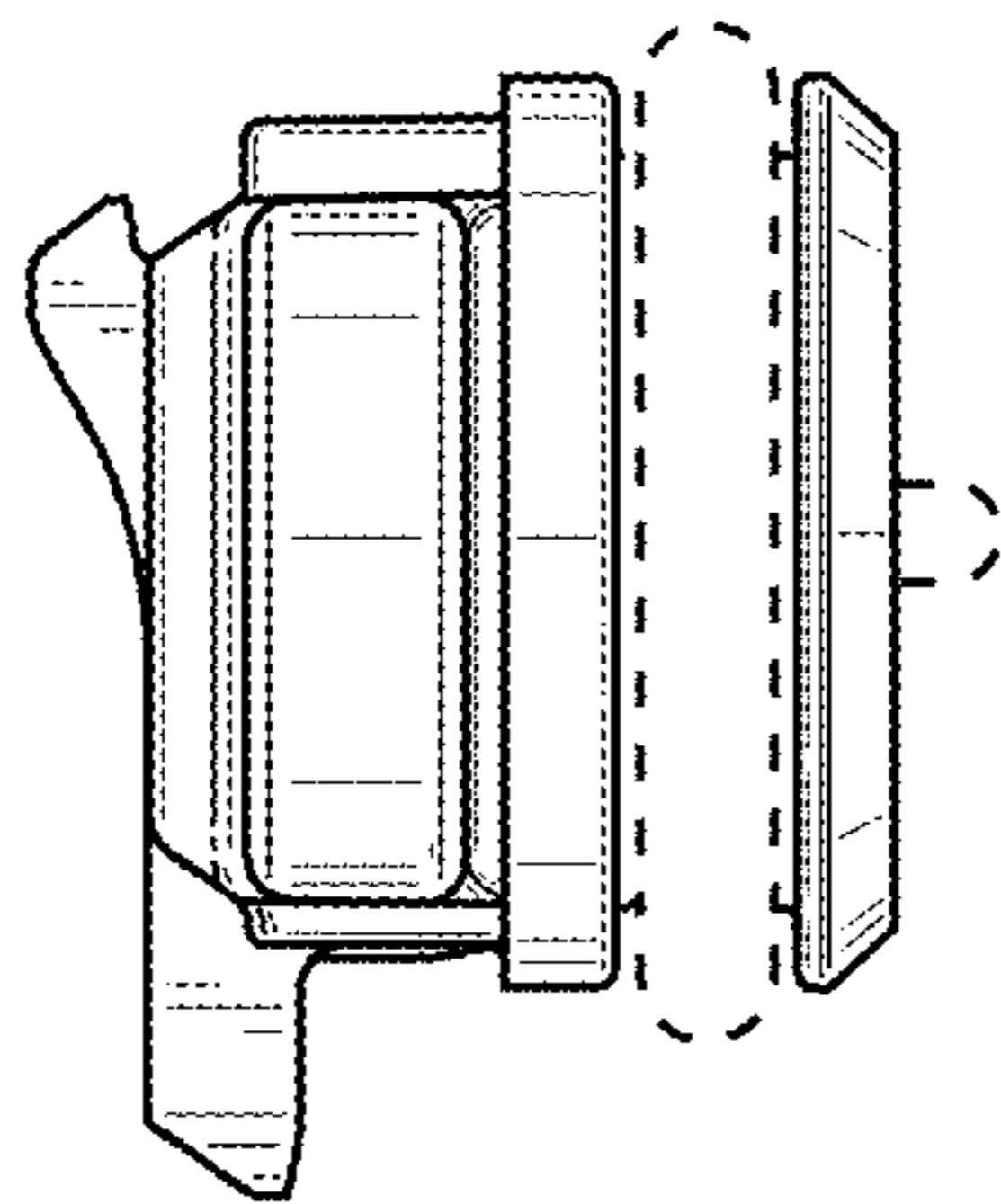


FIG. 7

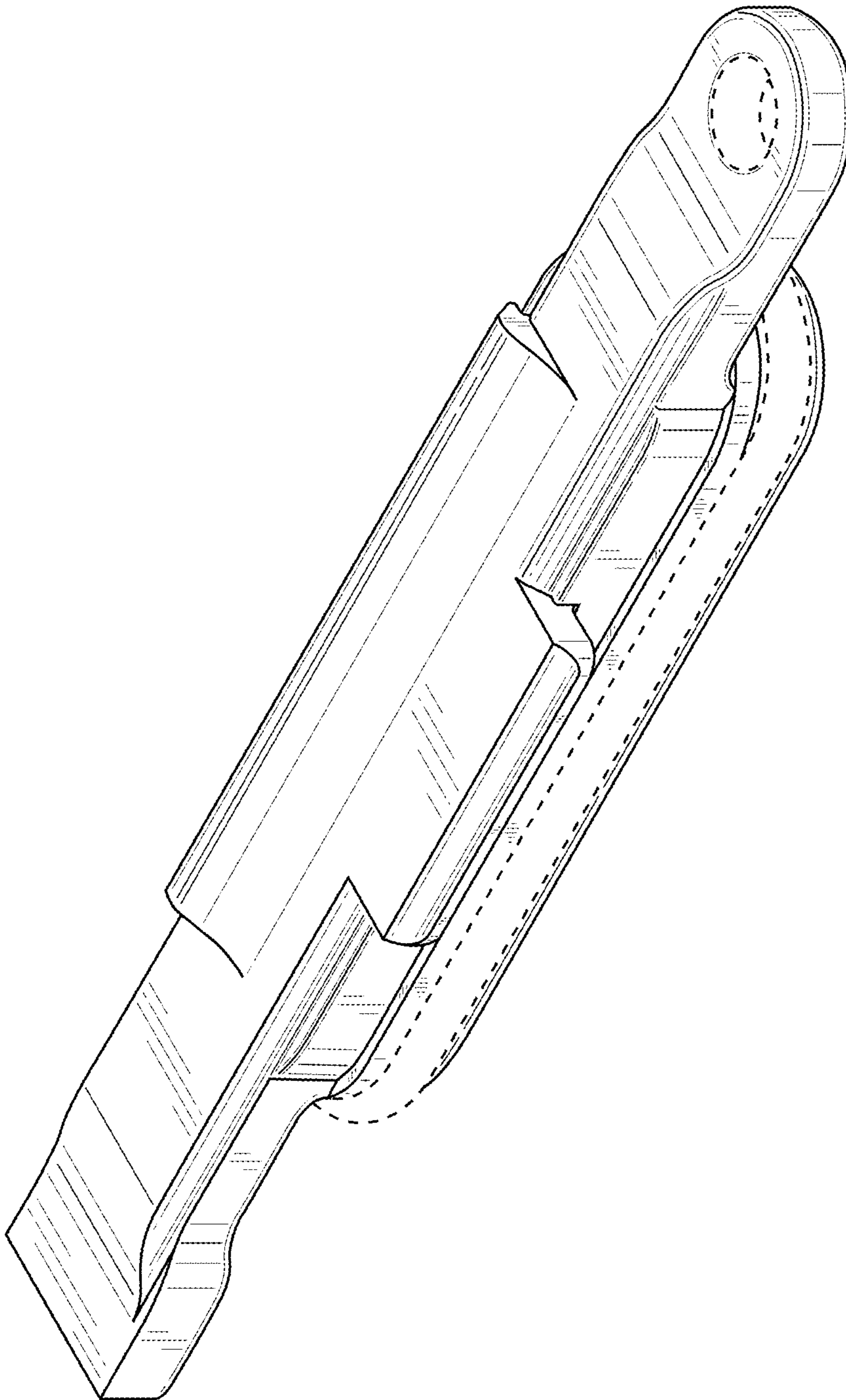


FIG. 8

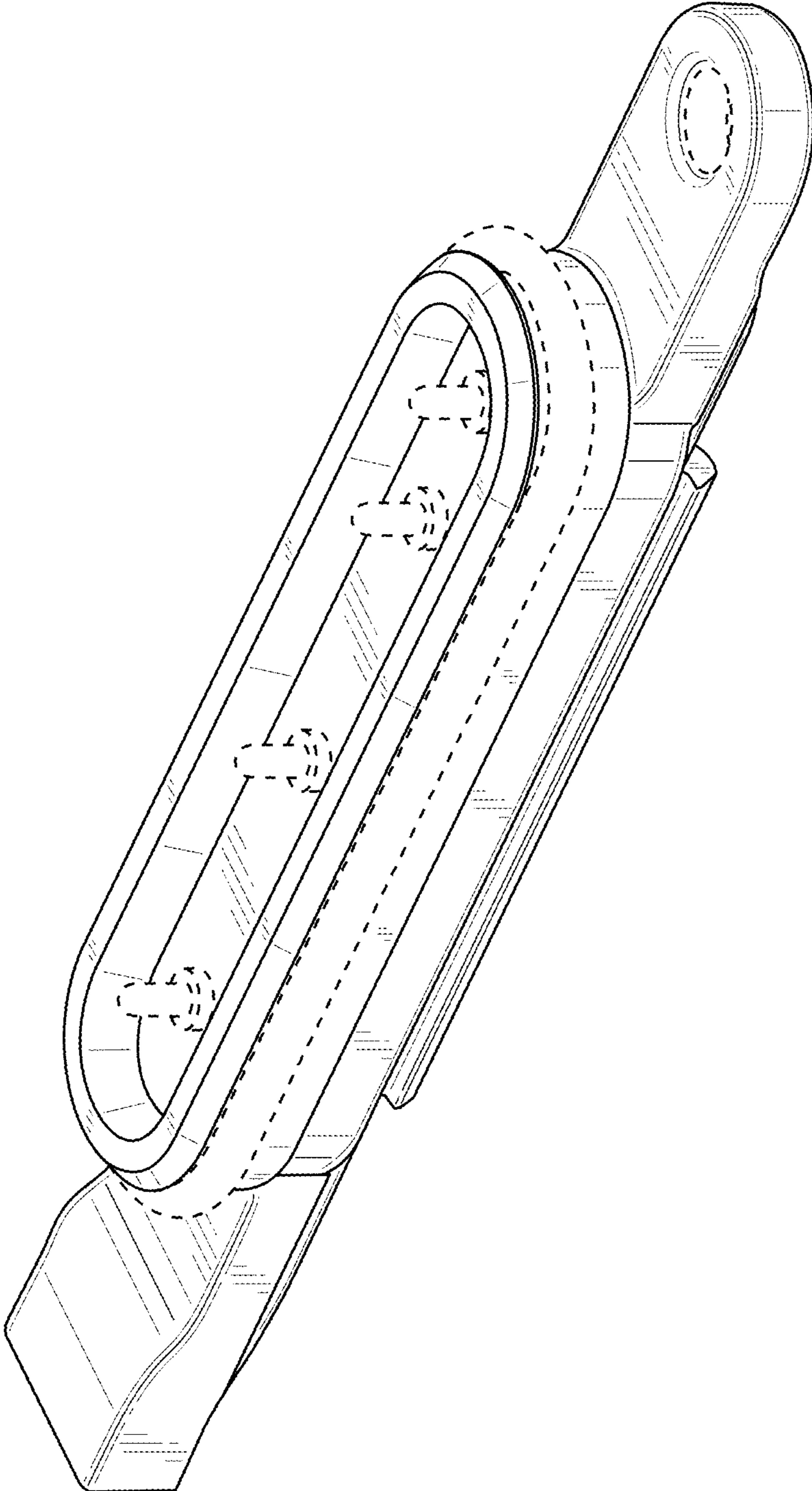


FIG. 9