

US00D971851S

(12) **United States Design Patent**  
**Wang**

(10) **Patent No.:** **US D971,851 S**  
(45) **Date of Patent:** **\*\* Dec. 6, 2022**

(54) **POWER STRIP**

(71) Applicant: **Shenzhen pengyu Technology Co., Ltd.**, Guangdong (CN)

(72) Inventor: **Guiming Wang**, Jilin Province (CN)

(73) Assignee: **Shenzhen pengyu Technology Co., Ltd.**, Shenzhen (CN)

(\*\*) Term: **15 Years**

(21) Appl. No.: **29/769,055**

(22) Filed: **Feb. 3, 2021**

(51) **LOC (13) Cl.** ..... **13-03**

(52) **U.S. Cl.**  
USPC ..... **D13/139.8**

(58) **Field of Classification Search**  
USPC ..... D13/137.1, 137.2, 137.3, 137.4, 138.1,  
D13/138.2, 139.1, 139.2, 139.3, 139.4,  
D13/139.5, 139.6, 139.7, 139.8  
CPC .... H01R 13/11; H01R 13/518; H01R 13/642;  
H01R 13/652; H01R 25/003; H01R  
25/006; H01R 43/26; H01H 71/62; H01H  
73/14

See application file for complete search history.

(56) **References Cited**

**U.S. PATENT DOCUMENTS**

D644,180 S *	8/2011	Lee	.....	D13/139.8
D673,503 S *	1/2013	Lee	.....	D13/139.8
D705,732 S *	5/2014	Lee	.....	D13/137.2
D770,976 S *	11/2016	Xu	.....	D13/110
D796,445 S *	9/2017	Xu	.....	D13/139.6
D871,344 S *	12/2019	Lyu	.....	D13/139.8
D878,299 S *	3/2020	Lyu	.....	D13/139.8
D878,300 S *	3/2020	Lyu	.....	D13/139.8
D881,809 S *	4/2020	Lyu	.....	D13/137.2
D881,821 S *	4/2020	Lyu	.....	D13/139.8
D886,742 S *	6/2020	Lyu	.....	D13/137.2
D899,375 S *	10/2020	Bao	.....	D13/137.2
D900,748 S *	11/2020	Chen	.....	D13/137.2

D908,631 S *	1/2021	Yu	.....	D13/137.2
D922,953 S *	6/2021	Mei	.....	D13/139.8
D922,954 S *	6/2021	Mei	.....	D13/139.8
D922,955 S *	6/2021	Chen	.....	D13/139.8
D924,809 S *	7/2021	Chen	.....	D13/137.2

(Continued)

**FOREIGN PATENT DOCUMENTS**

GB	6090783	*	5/2020
GB	6097887	*	8/2020
GB	6115167	*	1/2021

**OTHER PUBLICATIONS**

“Power Strip Surge Protector with USB, 8 Widely Outlets 4 USB Ports 5Ft Extension Cord with Flat Plug, 3 Sided Wall Outlets Extender USB Desktop Charging Station for Home Office Travel, 900J, ETL”, first available Nov. 13, 2021. Amazon.com [https://www.amazon.com/dp/B09HXFN9G3] (Year: 2021).\*

(Continued)

*Primary Examiner* — Rosemary K Tarcza  
*Assistant Examiner* — Seth David Kumpf

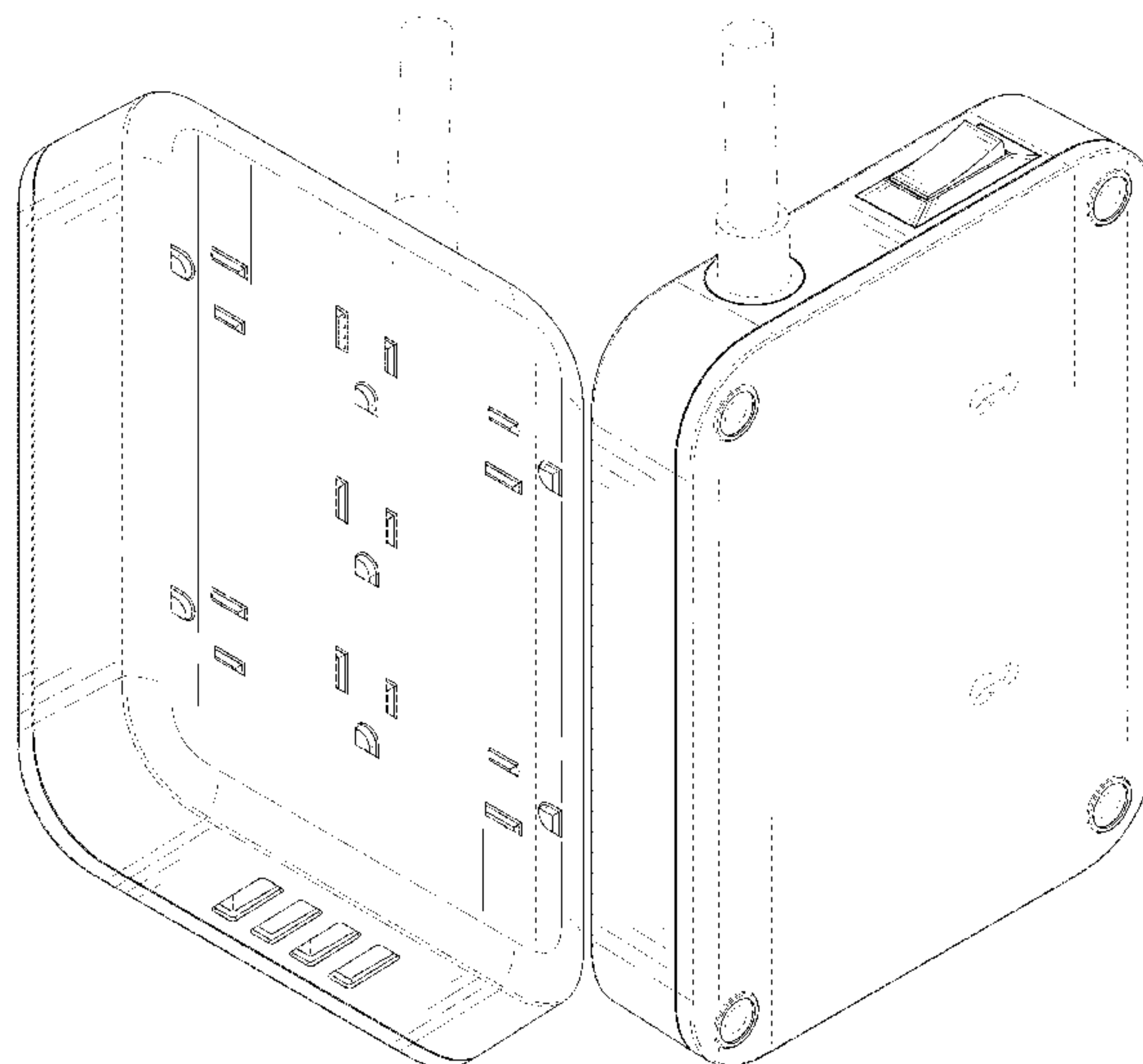
(57) **CLAIM**

The ornamental design for a power strip, as shown and described.

**DESCRIPTION**

FIG. 1 is a front and top perspective view of a power strip, showing my new design;  
FIG. 2 is a rear and bottom perspective view thereof;  
FIG. 3 is a front elevation view thereof;  
FIG. 4 is a rear elevation view thereof;  
FIG. 5 is a left side elevation view thereof;  
FIG. 6 is a right side elevation view thereof;  
FIG. 7 is a top plan view thereof; and,  
FIG. 8 is a bottom plan view thereof.  
The broken lines in the figures illustrate portions of the article that form no part of the claimed design.

**1 Claim, 8 Drawing Sheets**



(56)

**References Cited**

## U.S. PATENT DOCUMENTS

D930,946	S	*	9/2021	Chen	.....	D1/100
D941,774	S	*	1/2022	Tao	.....	D13/139.6
D944,741	S	*	3/2022	Chen	.....	D13/137.2
D947,781	S	*	4/2022	Wei	.....	D13/137.2
D948,451	S	*	4/2022	Wang	.....	D13/139.8
D948,452	S	*	4/2022	Wu	.....	D13/139.8
D954,650	S	*	6/2022	Amoss	.....	D13/137.2
D957,342	S	*	7/2022	Zhou	.....	D13/137.2
D958,082	S	*	7/2022	Lin	.....	D13/139.7

## OTHER PUBLICATIONS

“Power Strip with 3 USB Ports, Tessan 5 ft Extension Cord Flat Plug with 4 Outlets, Overload Protection Indoor Desk Charging Station, Mountable Compact for Travel, Cruise Ship, and Dorm Essentials”, first available Oct. 30, 2019. Amazon.com [<https://www.amazon.com/dp/B07ZRDGF6Y>] (Year: 2019).\*

“Power Strip with USB, Tessan Flat Plug Extension Cord Wall Mountable, Small Compact Size for Home Office, Gray”, first available Nov. 19, 2021. Amazon.com [<https://www.amazon.com/dp/B09M89L9FT>] (Year: 2021).\*

“Surge Protector Power Strip, Hanycony 8 Wide Outlets with 4 USB Charging Ports, 3 Side Outlet Extender with 5Ft Braided Extension Cord, Flat Plug, Wall Mount, Desk Charging Station for Home Office ETL”, first available May 31, 2021. Amazon.com [<https://www.amazon.com/dp/B092J8LPWR>] (Year: 2021).\*

\* cited by examiner

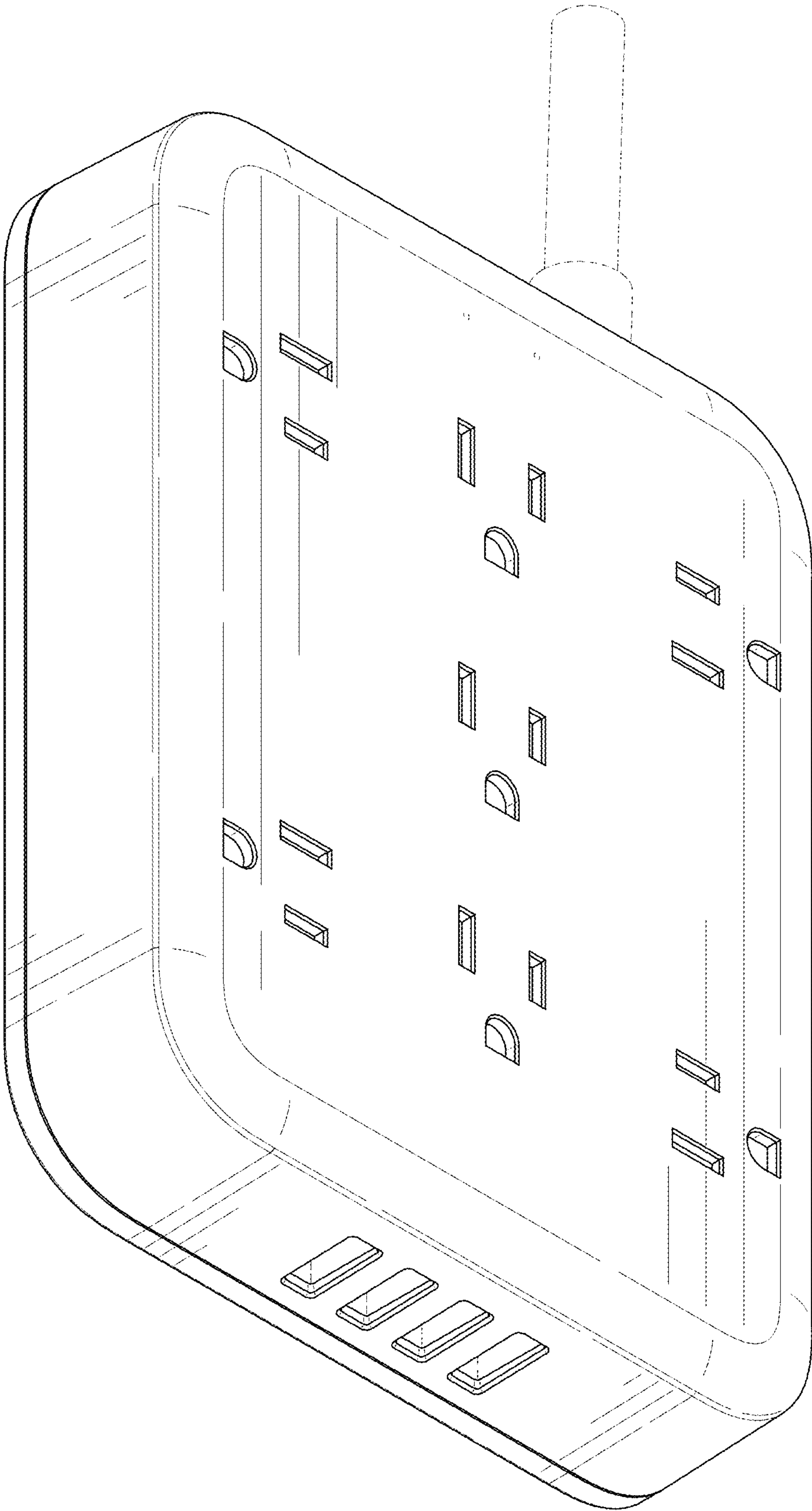


FIG. 1

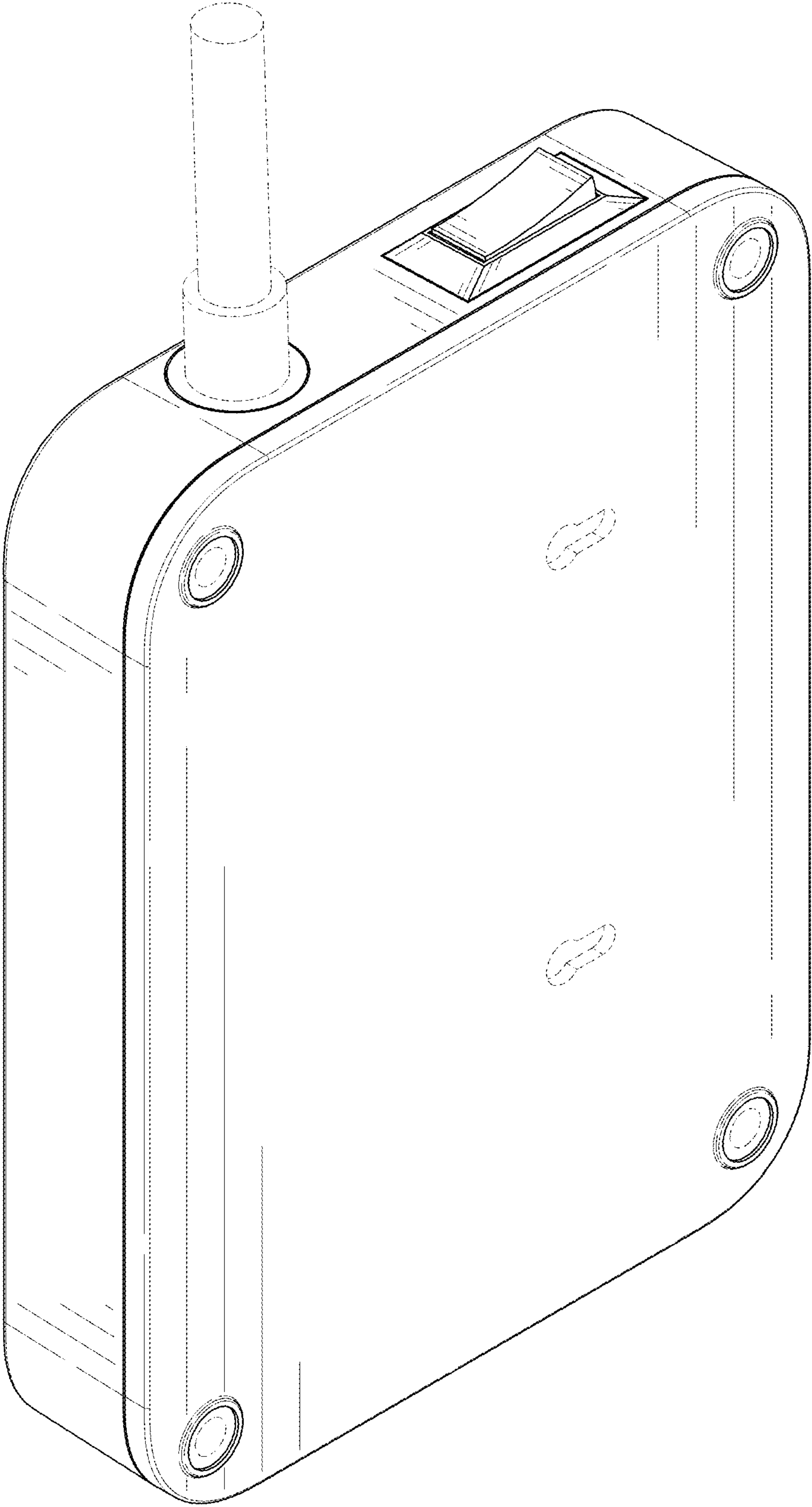


FIG. 2



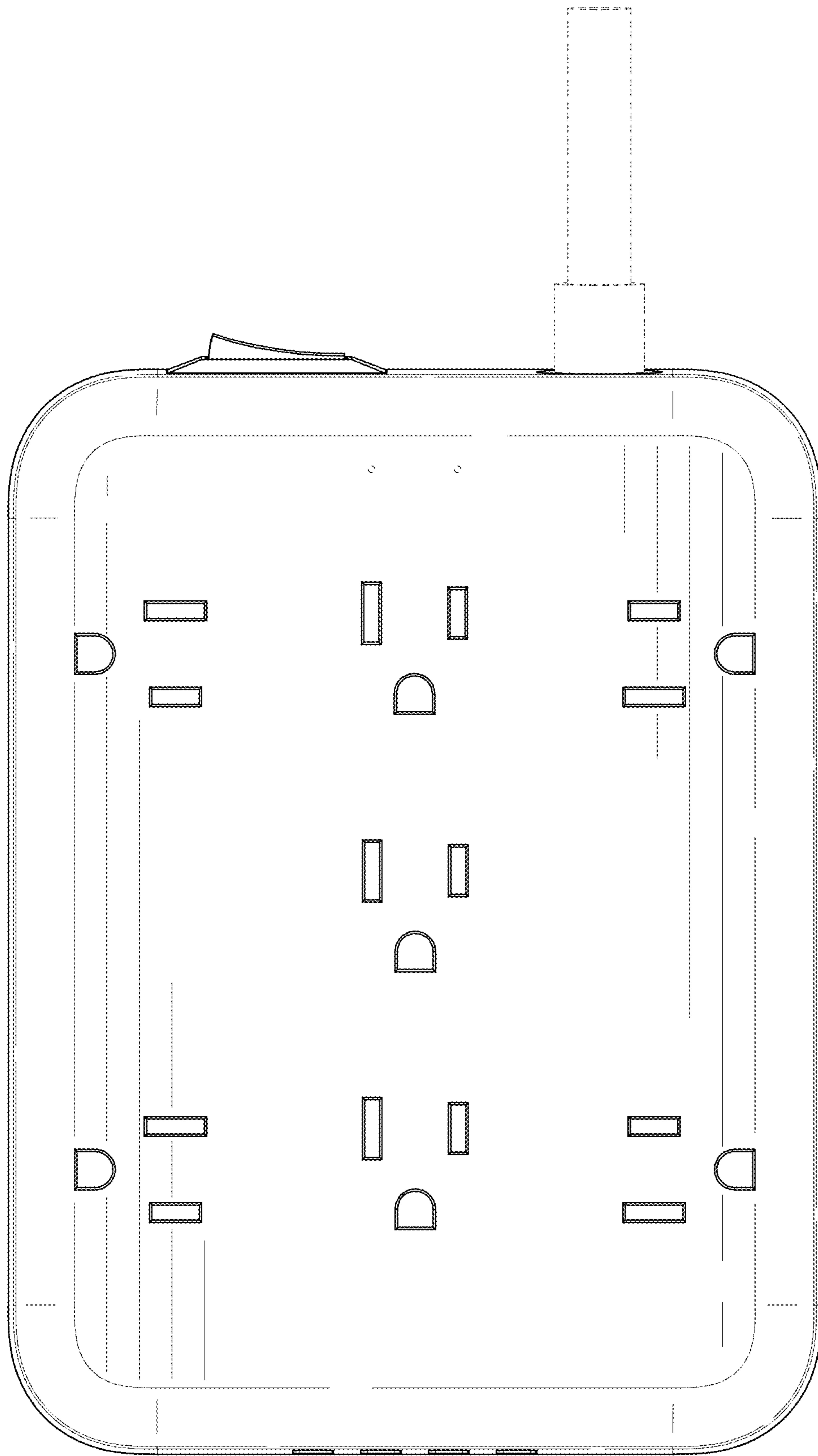


FIG. 3

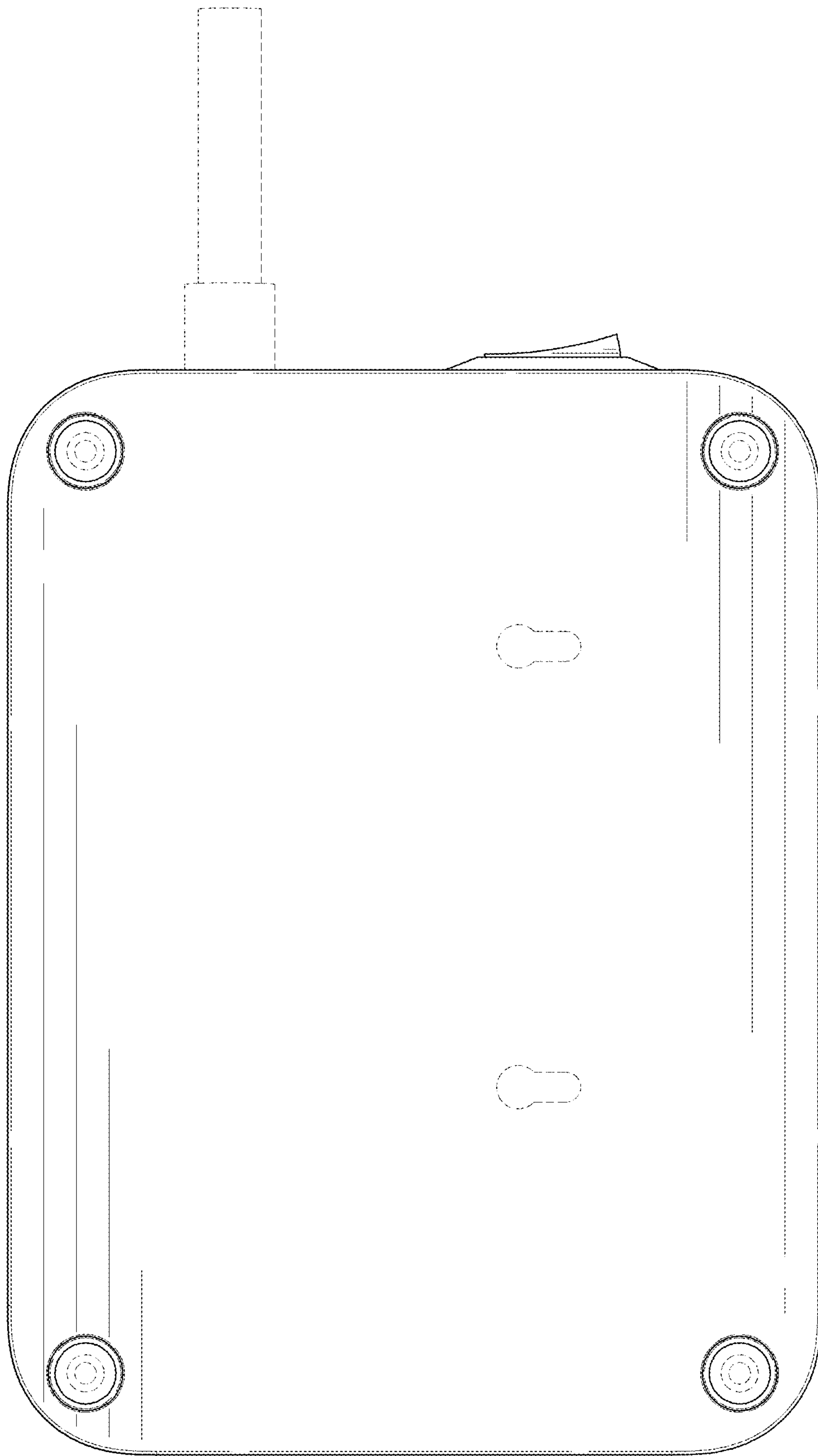


FIG. 4

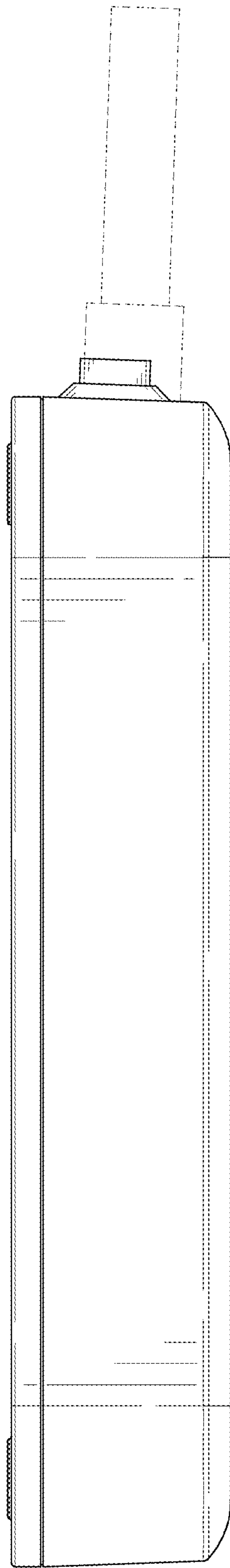


FIG. 5

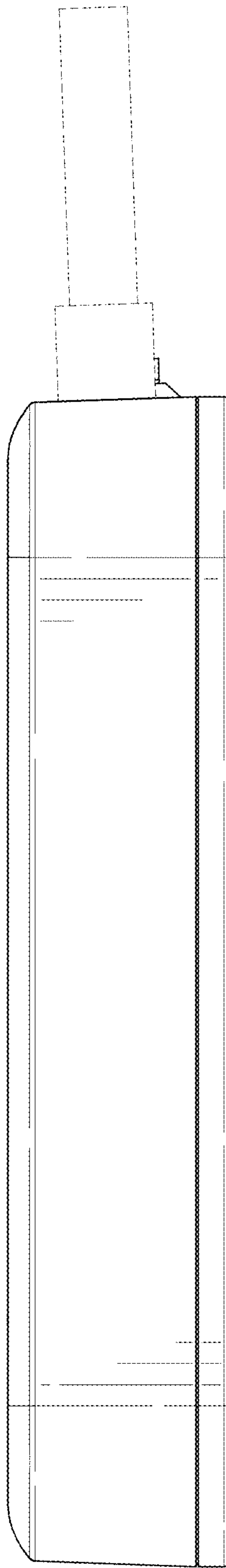


FIG. 6



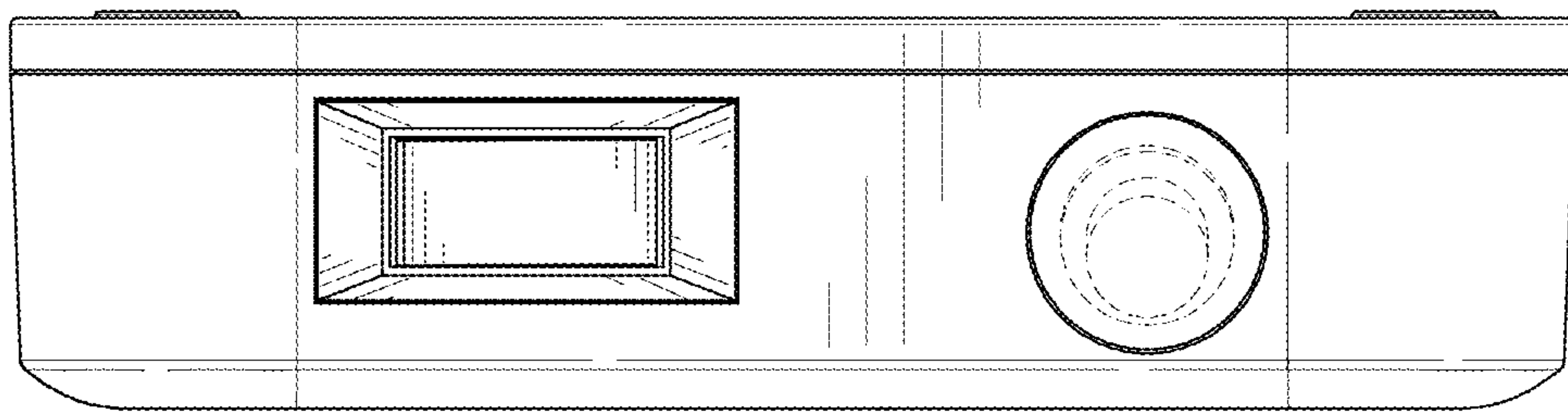


FIG. 7

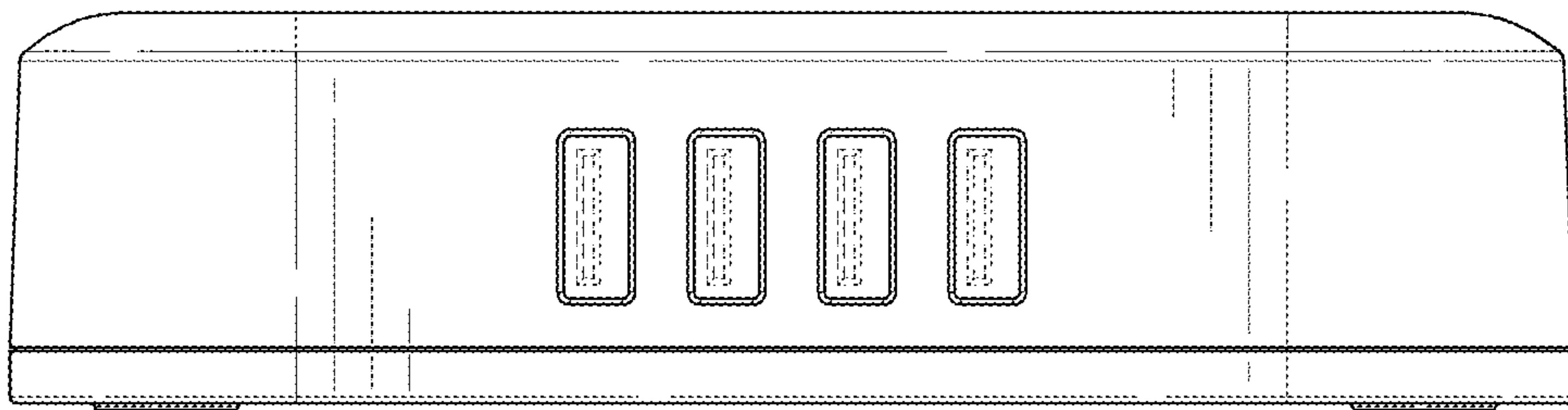


FIG. 8