



US00D971846S

(12) **United States Design Patent**
Wang

(10) **Patent No.:** **US D971,846 S**
(45) **Date of Patent:** **** Dec. 6, 2022**

(54) **SURGE PROTECTOR**

(71) Applicant: **Longdan Wang**, Guizhou (CN)

(72) Inventor: **Longdan Wang**, Guizhou (CN)

(**) Term: **15 Years**

(21) Appl. No.: **29/799,655**

(22) Filed: **Jul. 15, 2021**

(51) **LOC (13) Cl.** **13-03**

(52) **U.S. Cl.**
USPC **D13/137.4**

(58) **Field of Classification Search**

USPC D13/137.1, 137.2, 137.3, 137.4, 138.1,
D13/138.2, 139.1, 139.2, 139.3, 139.4,
D13/139.5, 139.6, 139.7, 139.8
CPC H01R 13/11; H01R 13/518; H01R 13/642;
H01R 13/652; H01R 25/003; H01R
25/006; H01R 43/26; H01H 71/62; H01H
73/14

See application file for complete search history.

(56) **References Cited**

U.S. PATENT DOCUMENTS

D307,579 S * 5/1990 Layne D13/137.3
D614,571 S * 4/2010 Wu D13/138.2
D635,515 S * 4/2011 Atwell D13/138.2
D635,937 S * 4/2011 Aromin D13/160
D738,310 S * 9/2015 Fletcher D13/138.2
D872,696 S * 1/2020 Yu D13/137.4
D941,772 S * 1/2022 Mi D13/137.4
D941,773 S * 1/2022 Mi D13/137.4

FOREIGN PATENT DOCUMENTS

CN 306915034 * 11/2021
CN 307094507 * 2/2022

GB 6211498 * 5/2022
KR 300860272.0000 * 6/2016
KR 301094366.0000 * 2/2021
KR 301094367.0000 * 2/2021
NZ 410112-0001 * 12/2007

OTHER PUBLICATIONS

“Jusen RV Surge Protector 30 Amp for Camping, Full Protection with Waterproof Cover, Protector with Circuit Analyzer and RV Surge Protection (4100 Joules), 125V/3750W”, first available Jun. 25, 2022. Amazon.com [https://www.amazon.com/dp/B0B52XF5M1] (Year: 2022).*

(Continued)

Primary Examiner — Rosemary K Tarcza
Assistant Examiner — Seth David Kumpf

(57) **CLAIM**

The ornamental design for a surge protector, as shown and described.

DESCRIPTION

FIG. 1 is a rear perspective view of a surge protector design showing my new design.

FIG. 2 is a front perspective view of a surge protector.

FIG. 3 is a front view of a surge protector.

FIG. 4 is a rear view of a surge protector.

FIG. 5 is a left side view of a surge protector.

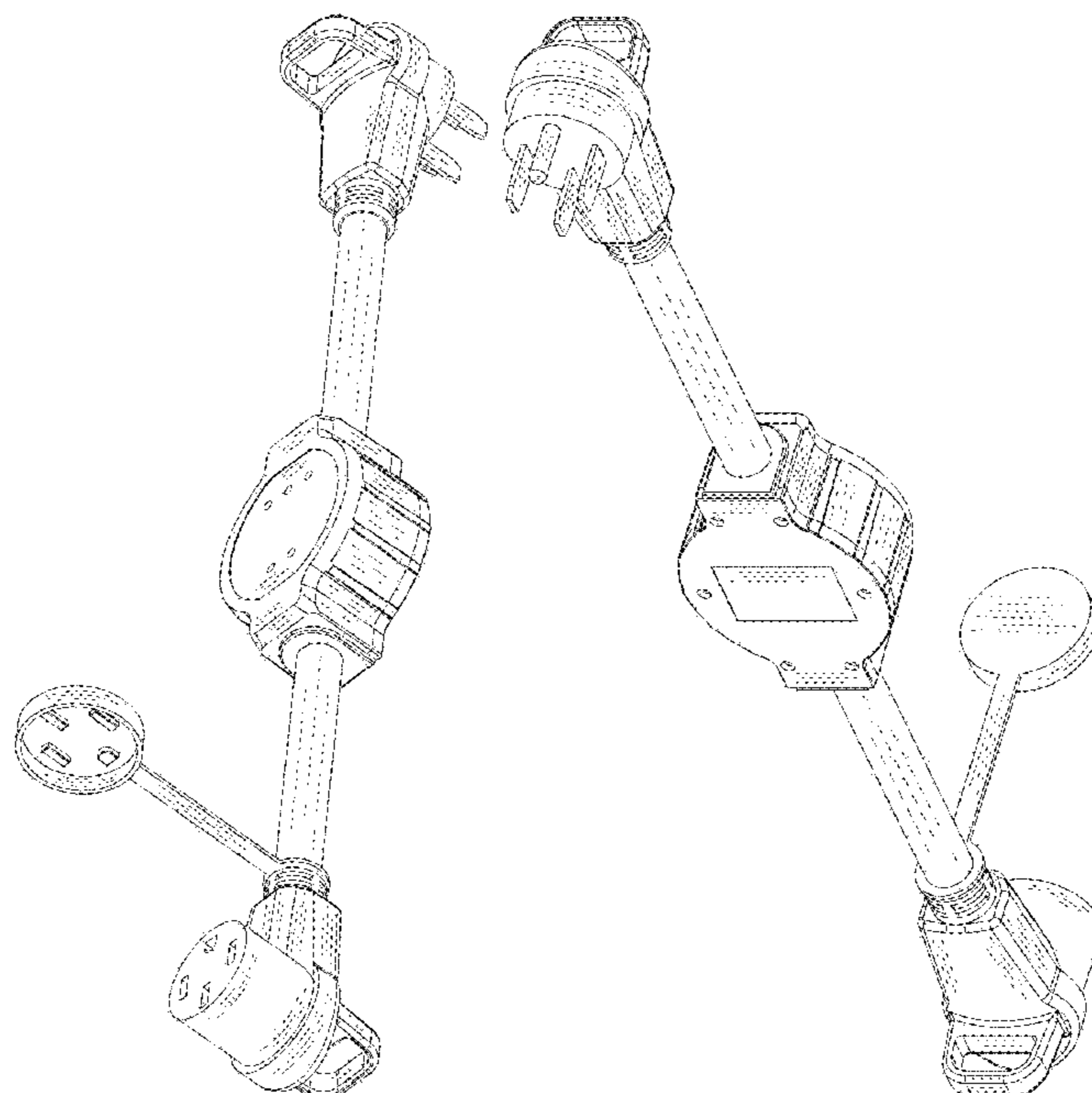
FIG. 6 is a right side view of a surge protector.

FIG. 7 is a top view of a surge protector, shown enlarged in scale; and,

FIG. 8 is a bottom view of a surge protector, shown enlarged in scale.

Any shading is not features of the design but are utilized to illustrate the surface contours of the surge protector design in the drawings.

1 Claim, 8 Drawing Sheets



(56)

References Cited

OTHER PUBLICATIONS

“Aopec RV Surge Protector 50 Amp with Removable Waterproof Covers, All-in-one Circuit Testing Protection (4200 Joules), RV Adapter Plug Power Defender for Camper, Trailer, Truck”, first available Apr. 26, 2022. Amazon.com [<https://www.amazon.com/dp/B09ZL2GR2L>] (Year: 2022).*

“Kacsoo RV Surge Protector 30 Amp, 5000 Joules Surge Protector for RV Voltage Protector with Waterproof Cover and LED Indicator, UL Listed and ETL Listed”, first available Dec. 27, 2021. Amazon.com [<https://www.amazon.com/dp/B09P8FMT2X>] (Year: 2021).*

* cited by examiner

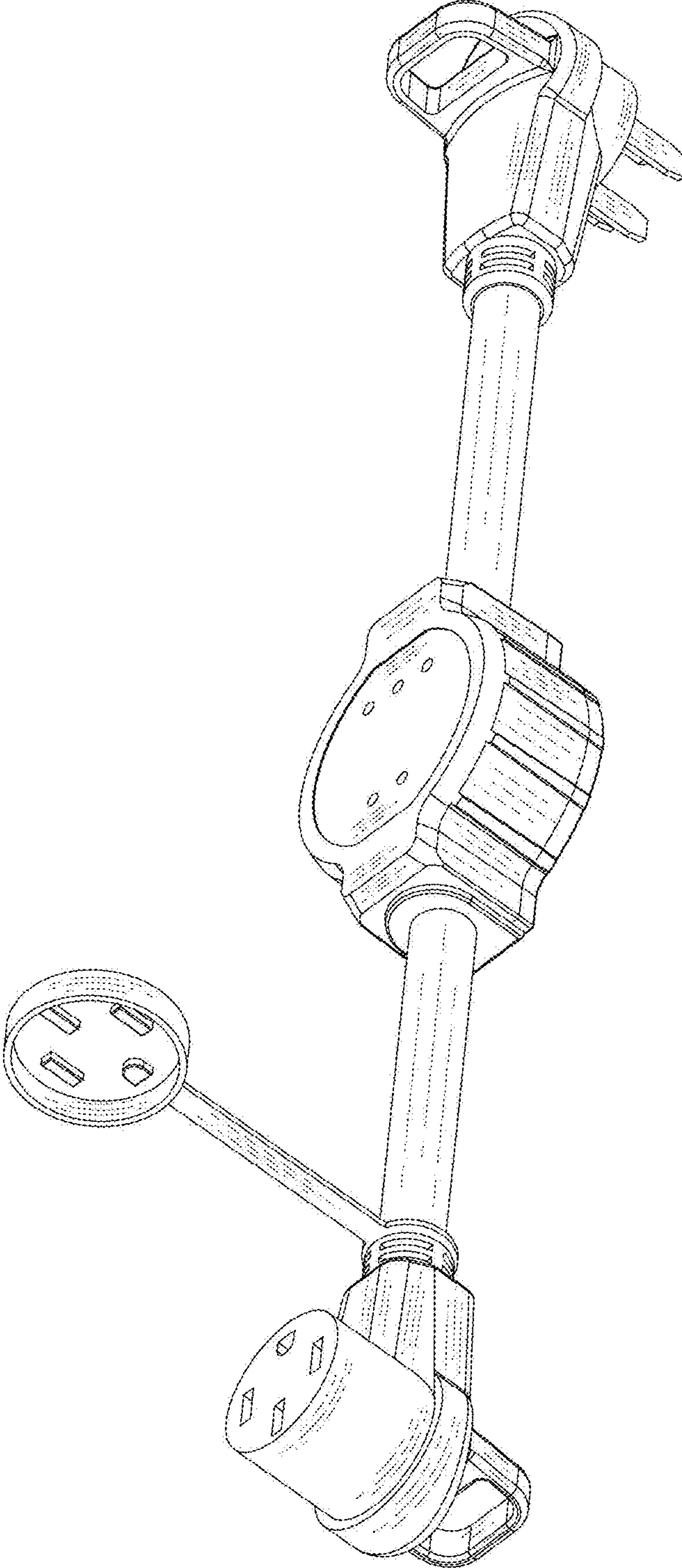


FIG. 1

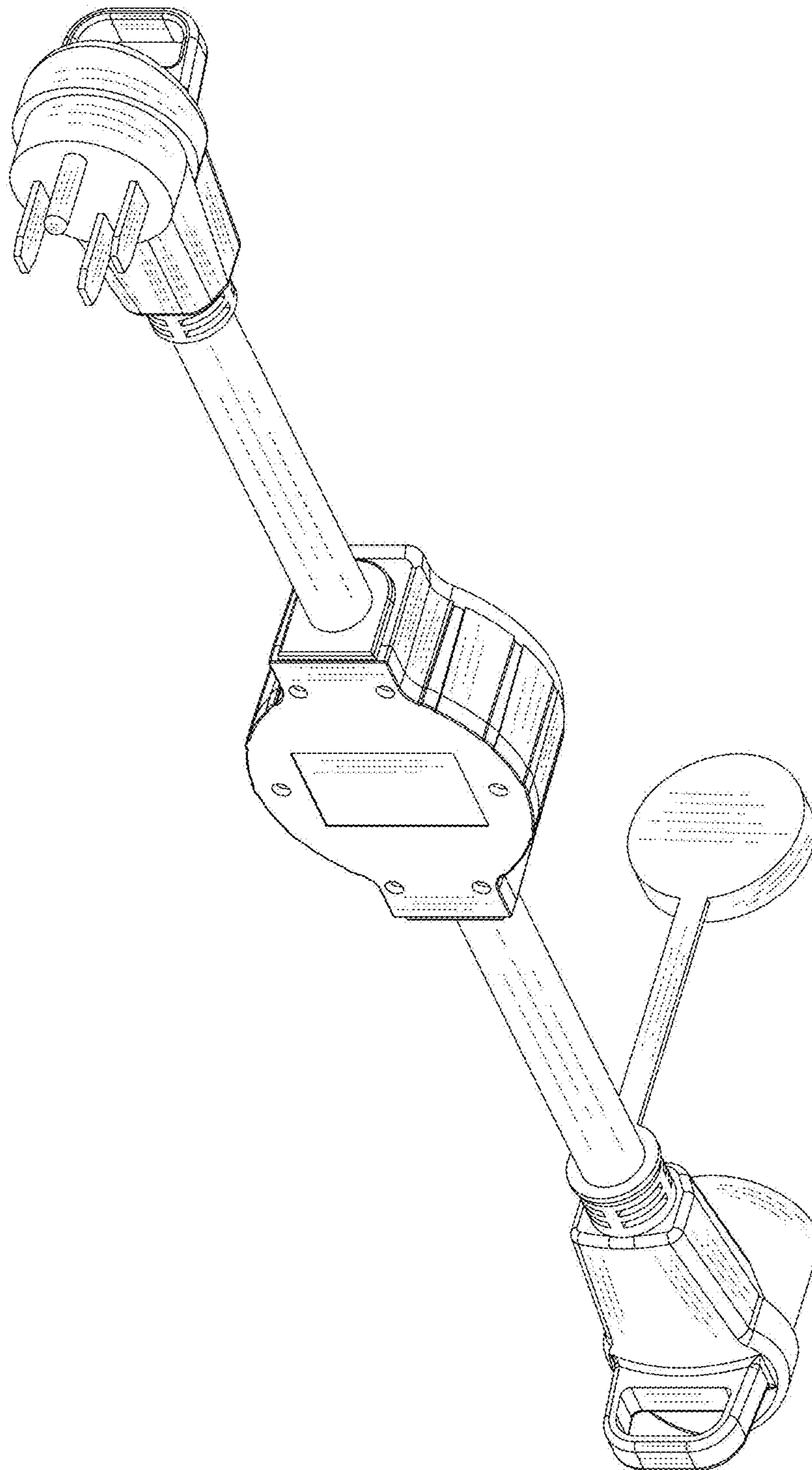


FIG. 2

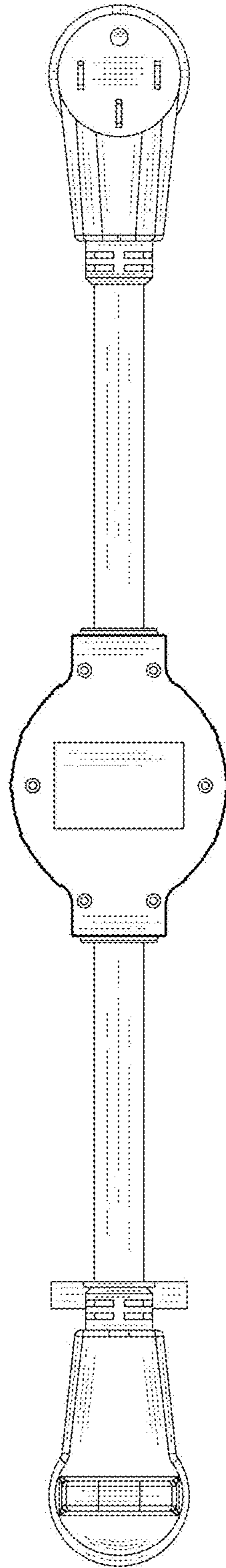


FIG. 3

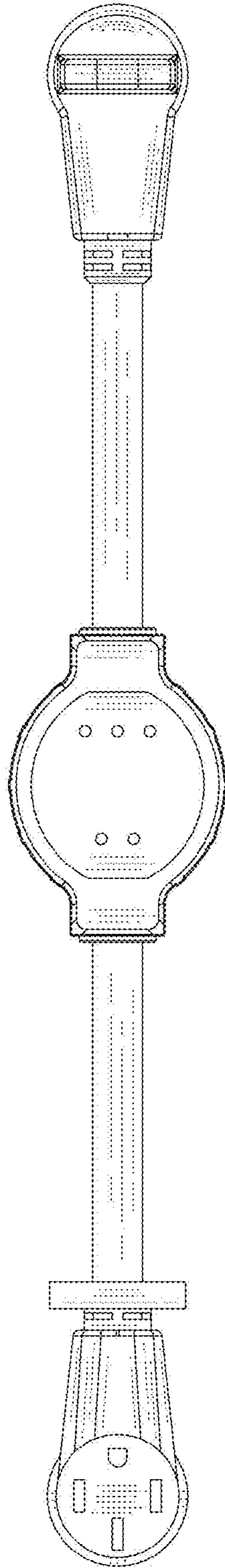


FIG. 4

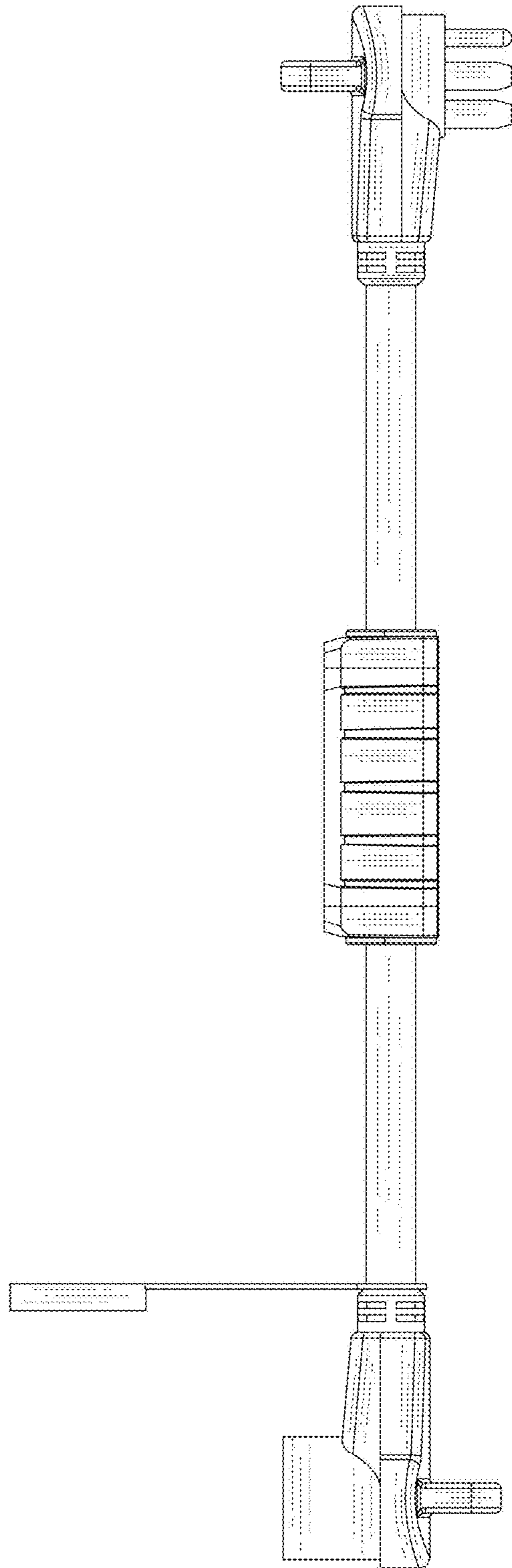


FIG. 5

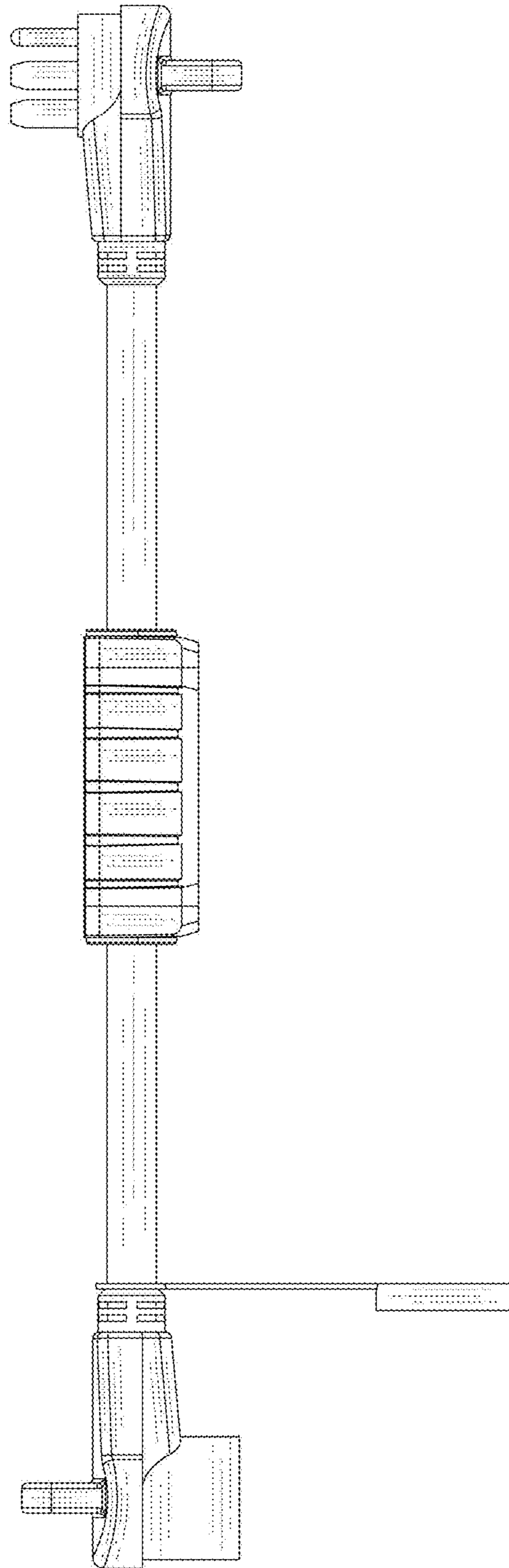


FIG. 6

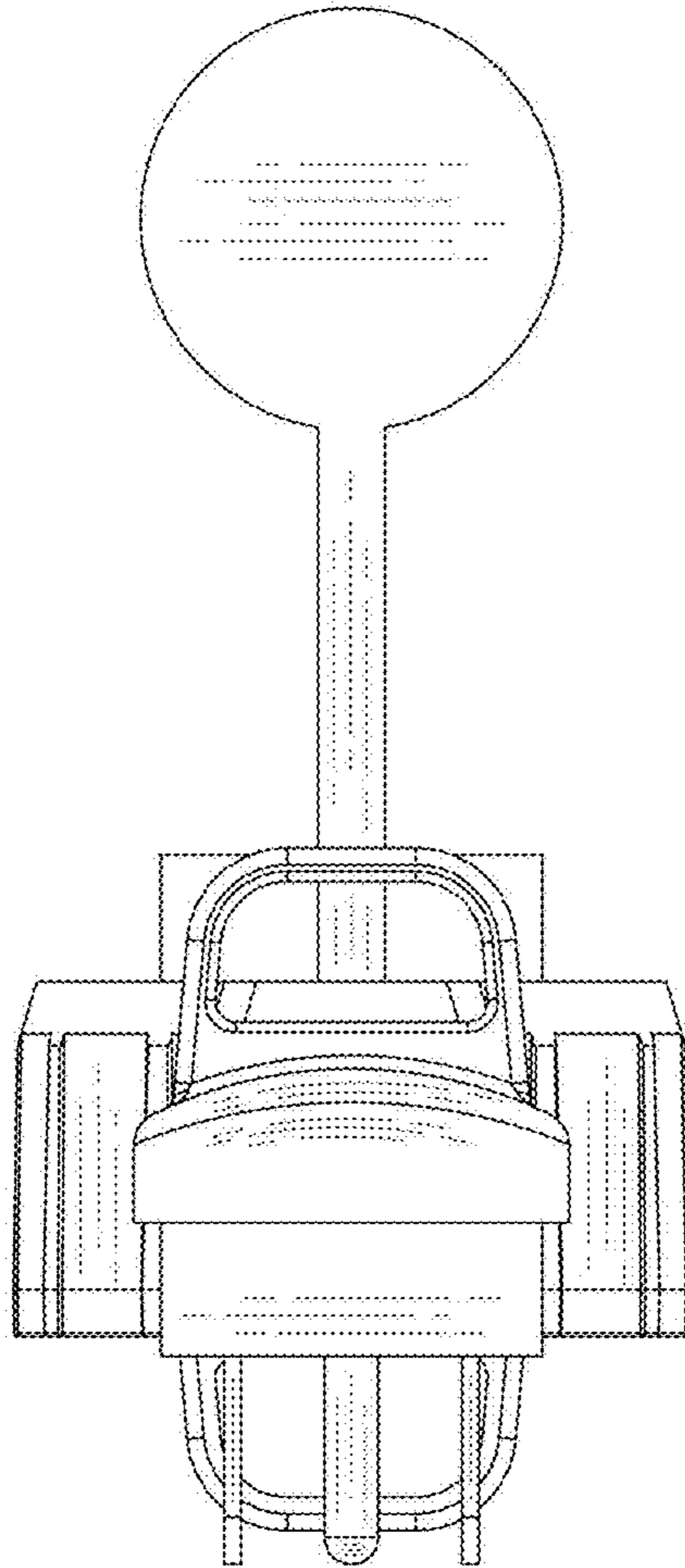


FIG. 7

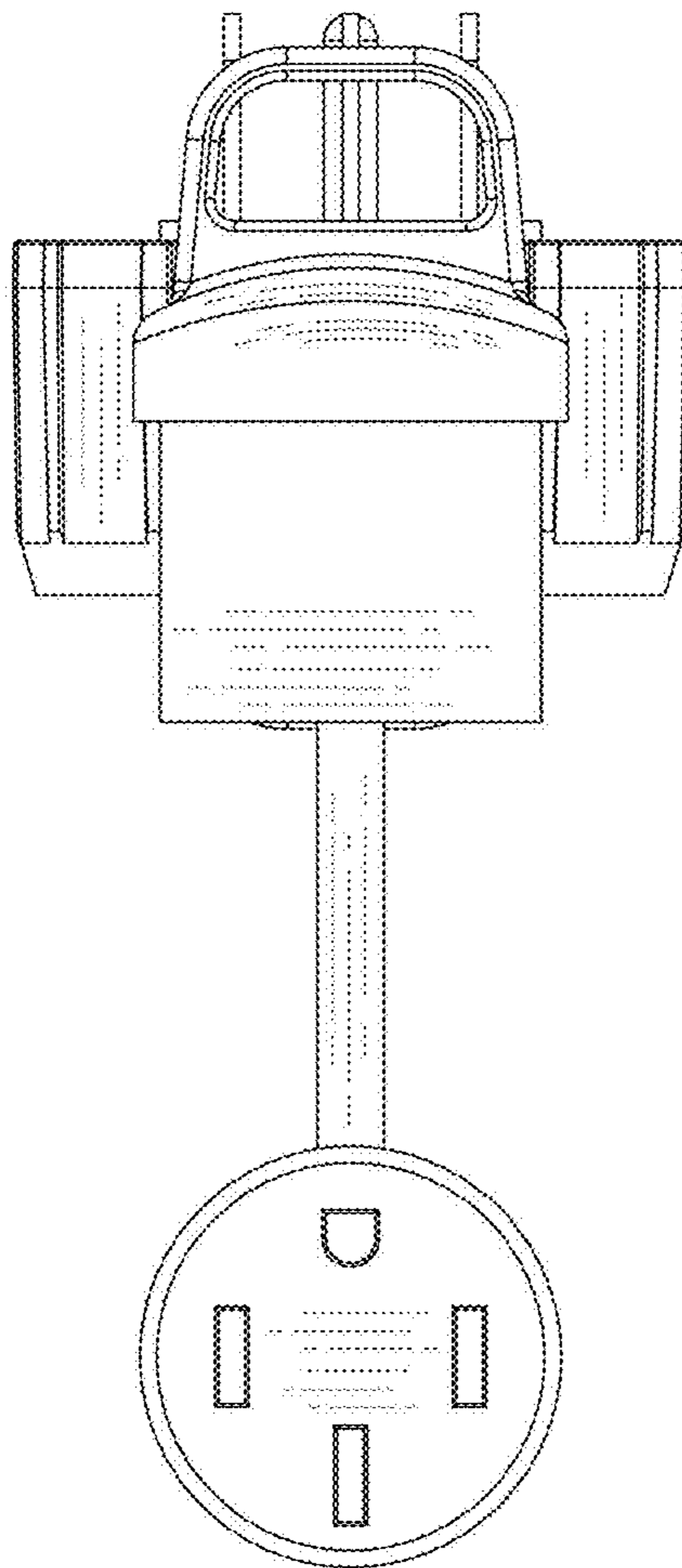


FIG. 8