



US00D971844S

(12) **United States Design Patent** (10) **Patent No.:** **US D971,844 S**  
**Tao** (45) **Date of Patent:** **\*\* Dec. 6, 2022**

(54) **SOCKET**

(71) Applicant: **Ningbo Litesun Electric Co., Ltd.**,  
Zhejiang (CN)

(72) Inventor: **Jiahuan Tao**, Yuyao (CN)

(73) Assignee: **Ningbo Litesun Electric Co., Ltd.**,  
Zhejiang (CN)

(\*\*) Term: **15 Years**

(21) Appl. No.: **29/701,657**

(22) Filed: **Aug. 13, 2019**

(30) **Foreign Application Priority Data**

Jun. 12, 2019 (CN) ..... 201930301126.6

(51) **LOC (13) Cl.** ..... **13-03**

(52) **U.S. Cl.**  
USPC ..... **D13/137.2**

(58) **Field of Classification Search**

USPC ..... D13/103, 107, 108, 113, 118, 123, 133,  
D13/137.1–137.4, 138.1, 138.2,  
D13/139.1–139.7, 153, 154, 155;  
D14/433, 434

CPC ..... H01R 25/006; H01R 25/165; H01R 9/00;  
H01R 9/22; H01R 9/226; H01R 13/00;  
H01R 13/03; H01R 13/04; H01R 13/10;  
H01R 13/35; H01R 13/502; H01R  
13/631; H01R 13/6666; H01R 13/6675;  
H05K 5/00; H05K 5/03

See application file for complete search history.

(56) **References Cited**

**U.S. PATENT DOCUMENTS**

D357,460 S \* 4/1995 Lovett ..... D13/139.1  
D364,379 S \* 11/1995 Pogue ..... D13/137.2  
D400,856 S \* 11/1998 Cheung ..... D13/138.2  
D443,589 S \* 6/2001 Tong ..... D13/137.2  
D547,272 S \* 7/2007 Ng ..... D13/137.2

D582,346 S \* 12/2008 Zhou ..... D13/137.2  
D672,715 S \* 12/2012 Brunner ..... D13/110  
D763,789 S \* 8/2016 Mchatet ..... D13/107  
D807,828 S \* 1/2018 Xu ..... D13/137.2  
D826,159 S \* 8/2018 Tao ..... D13/137.2  
D871,342 S \* 12/2019 Liu ..... D13/137.2

(Continued)

**OTHER PUBLICATIONS**

Surge Protector, date available Feb. 27, 2018, [online], [Sep. 14, 2020], Available from Internet URL: <<https://www.amazon.com/Protector-Protection-Indicatro-SPP3461WA-37>>.\*

(Continued)

*Primary Examiner* — Calvin E Vansant

(74) *Attorney, Agent, or Firm* — Greensfelder, Hemker & Gale, P.C.; Richard C. Himelhoch

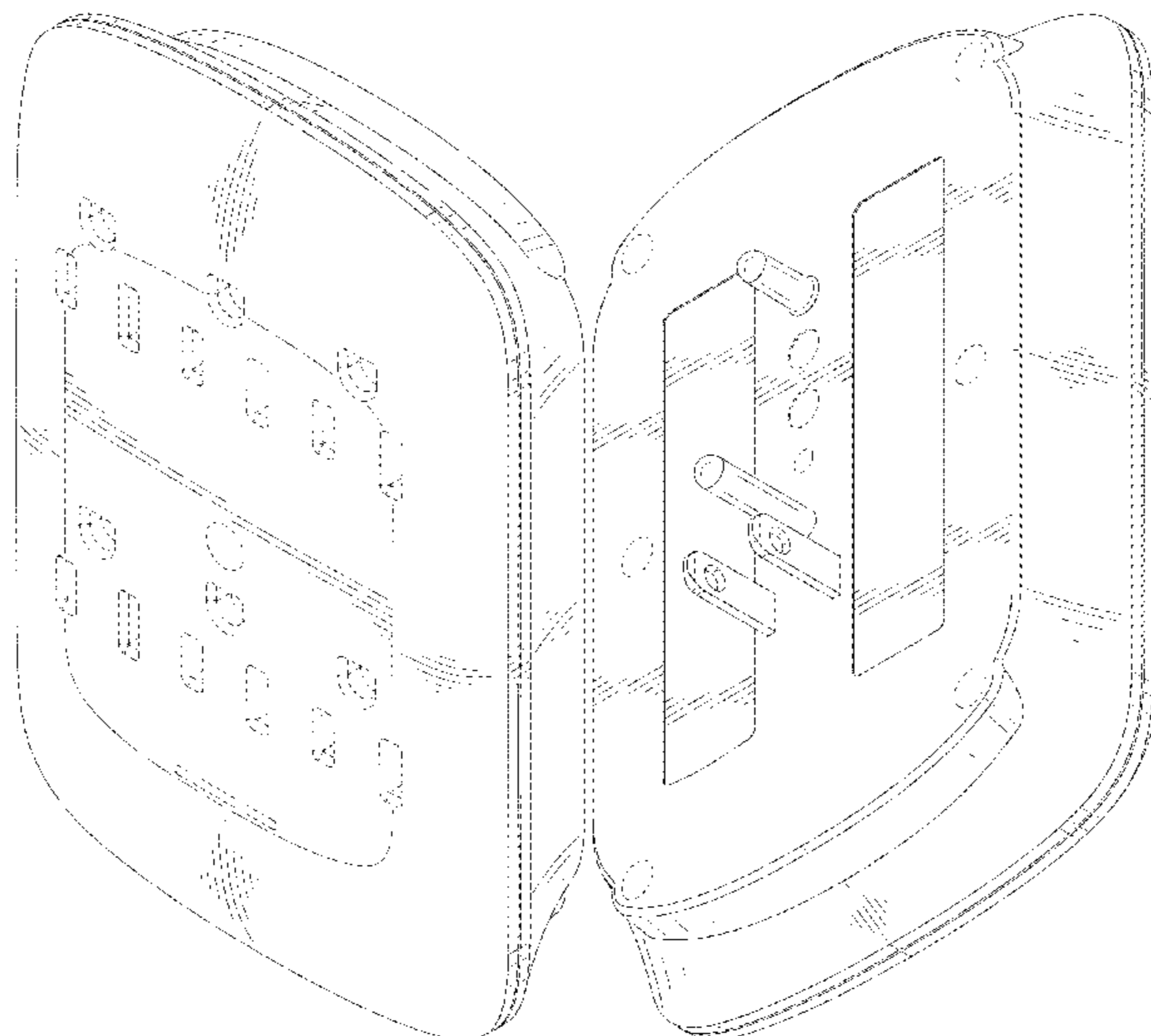
(57) **CLAIM**

I claim the ornamental design for a socket, as shown and described.

**DESCRIPTION**

FIG. 1 is a front perspective view of a socket in accordance with the present design;  
FIG. 2 is a rear perspective view of the socket of FIG. 1;  
FIG. 3 is a front side elevational view of the socket of FIG. 1;  
FIG. 4 is a back side elevational view of the socket of FIG. 1;  
FIG. 5 is a left side elevational view of the socket of FIG. 1;  
FIG. 6 is a right side elevational view of the socket of FIG. 1;  
FIG. 7 is a top plan view of the socket of FIG. 1; and,  
FIG. 8 is a bottom plan view of the socket of FIG. 1.  
The broken lines shown in the drawings are for the purposes of illustrating portions of the article and form no part of the claimed design.

**1 Claim, 8 Drawing Sheets**



(56)

**References Cited**

U.S. PATENT DOCUMENTS

D903,600	S	*	12/2020	Tseng	.....	D13/139.7
D920,254	S	*	5/2021	Tao	.....	D13/137.2
D922,327	S	*	6/2021	Tao	.....	D13/137.2
D935,410	S	*	11/2021	Tao	.....	D13/137.2
D937,216	S	*	11/2021	Tao	.....	D13/139.1
D947,781	S	*	4/2022	Wei	.....	D13/137.2
D953,273	S	*	5/2022	Chen	.....	D13/139.8
D954,654	S	*	6/2022	Wei	.....	D13/139.8
D955,994	S	*	6/2022	Lin	.....	D13/137.2
D957,342	S	*	7/2022	Zhou	.....	D13/137.2

OTHER PUBLICATIONS

BHPhotovideo.Com, CyberPower P600WU 6-Outlet Professional Surge Protector, 09-02020, online product page, retrieved Sep. 25, 2022 from <URL:[https://www.bhphotovideo.com/c/product/1508657-REG/cyberpower\\_p600wu\\_6\\_outlet\\_and\\_2.html/reviews](https://www.bhphotovideo.com/c/product/1508657-REG/cyberpower_p600wu_6_outlet_and_2.html/reviews)> (Year: 2020).\*

Amazon.Com, Oviitech Multi Outlet Wall Mount Adapter, Oct. 2018, online product page, retrieved Sep. 25, 2022 from <URL:<https://www.amazon.com/Oviitech-Protector-Charging-Adapter-Certified/dp/B077T3FRV3?th=1>> (Year: 2018).\*

\* cited by examiner

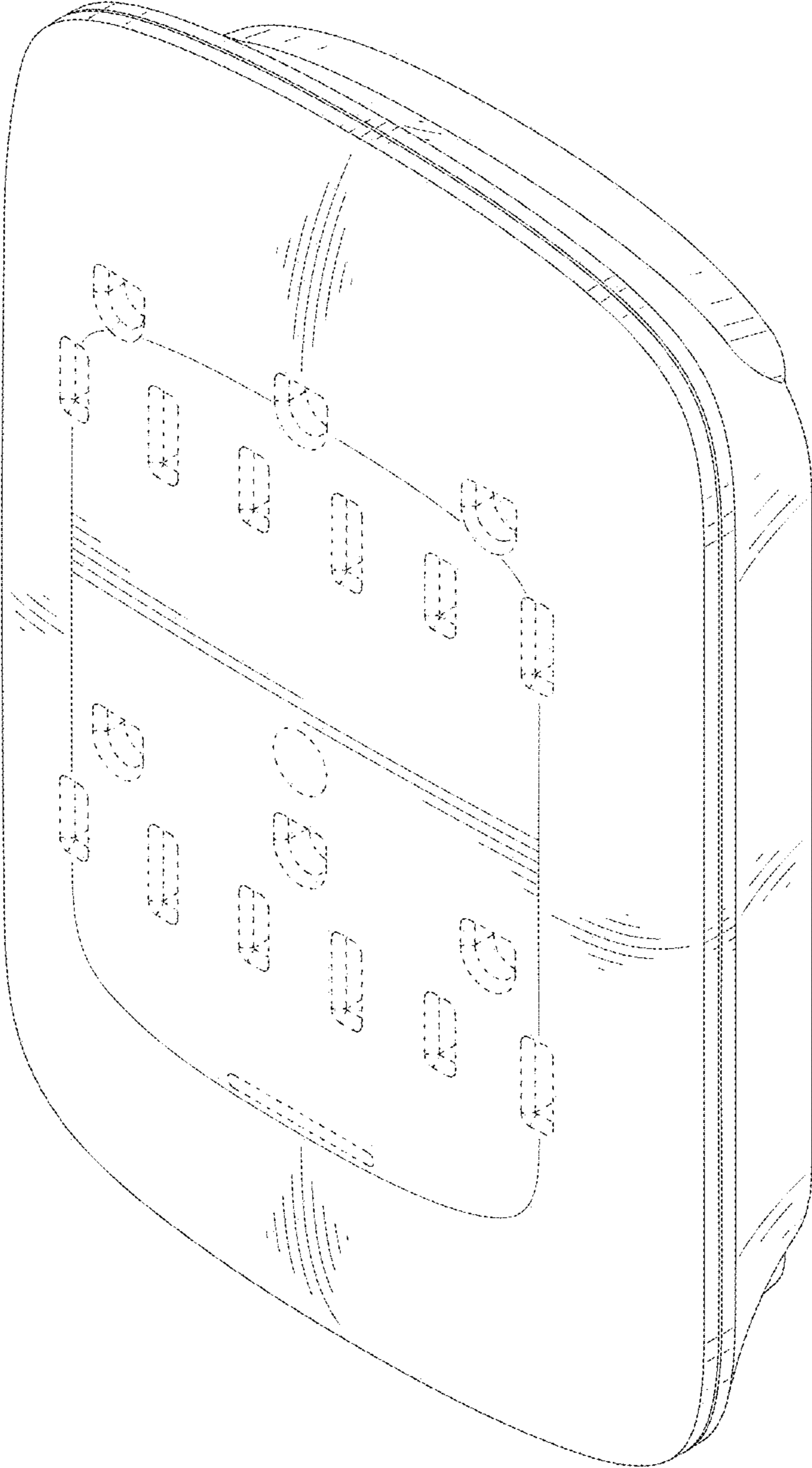


FIG.1

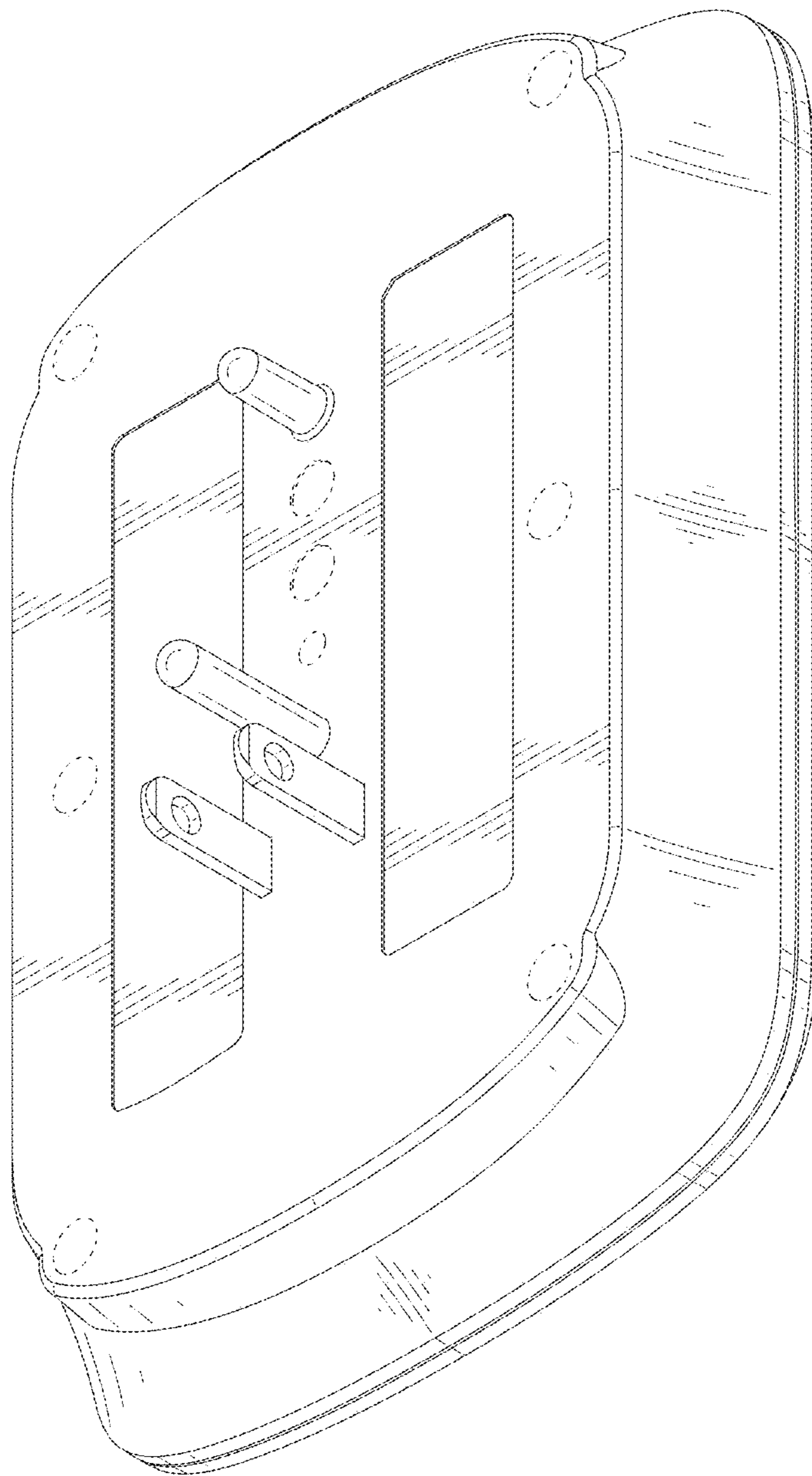


FIG.2

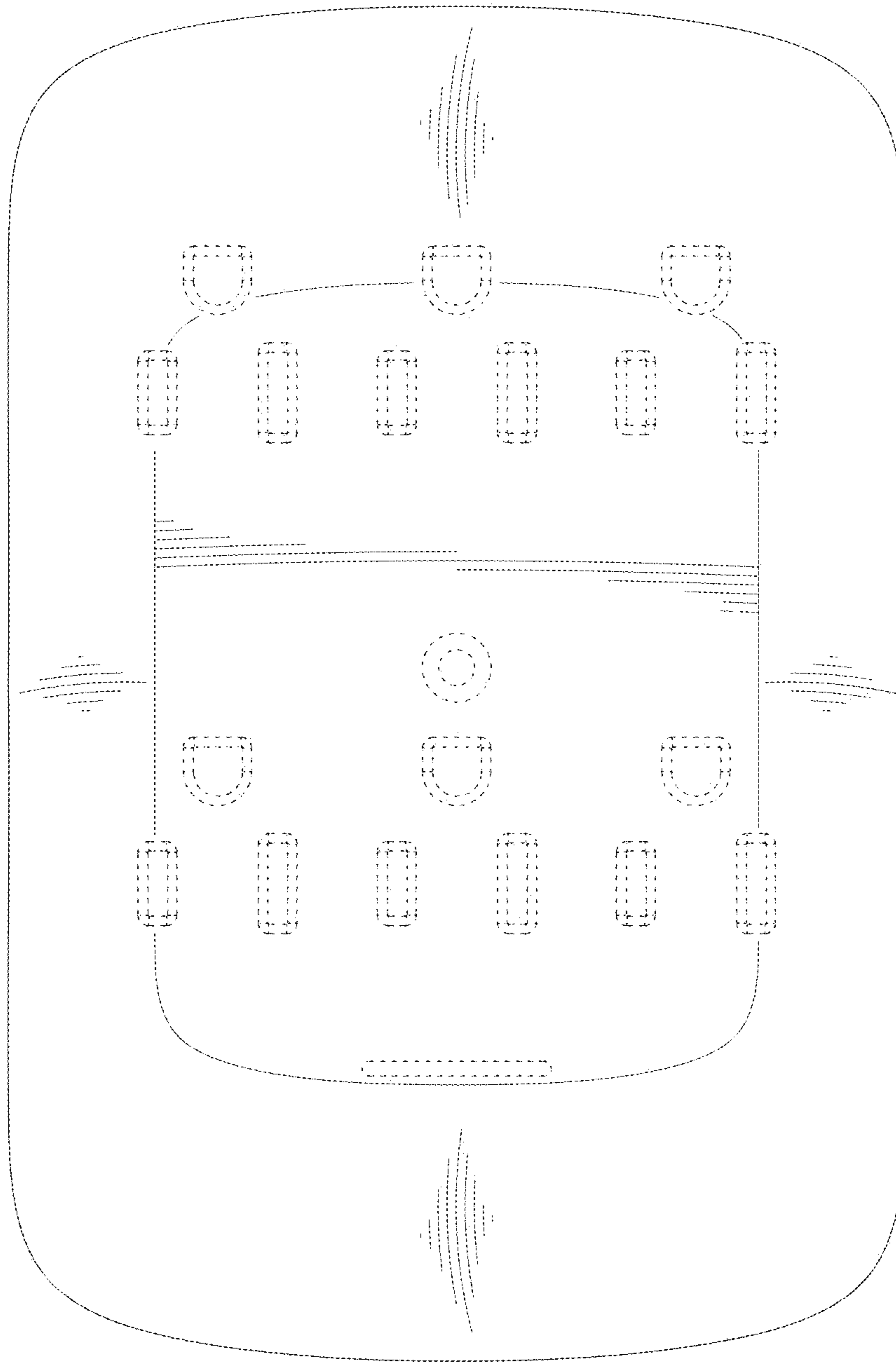


FIG.3

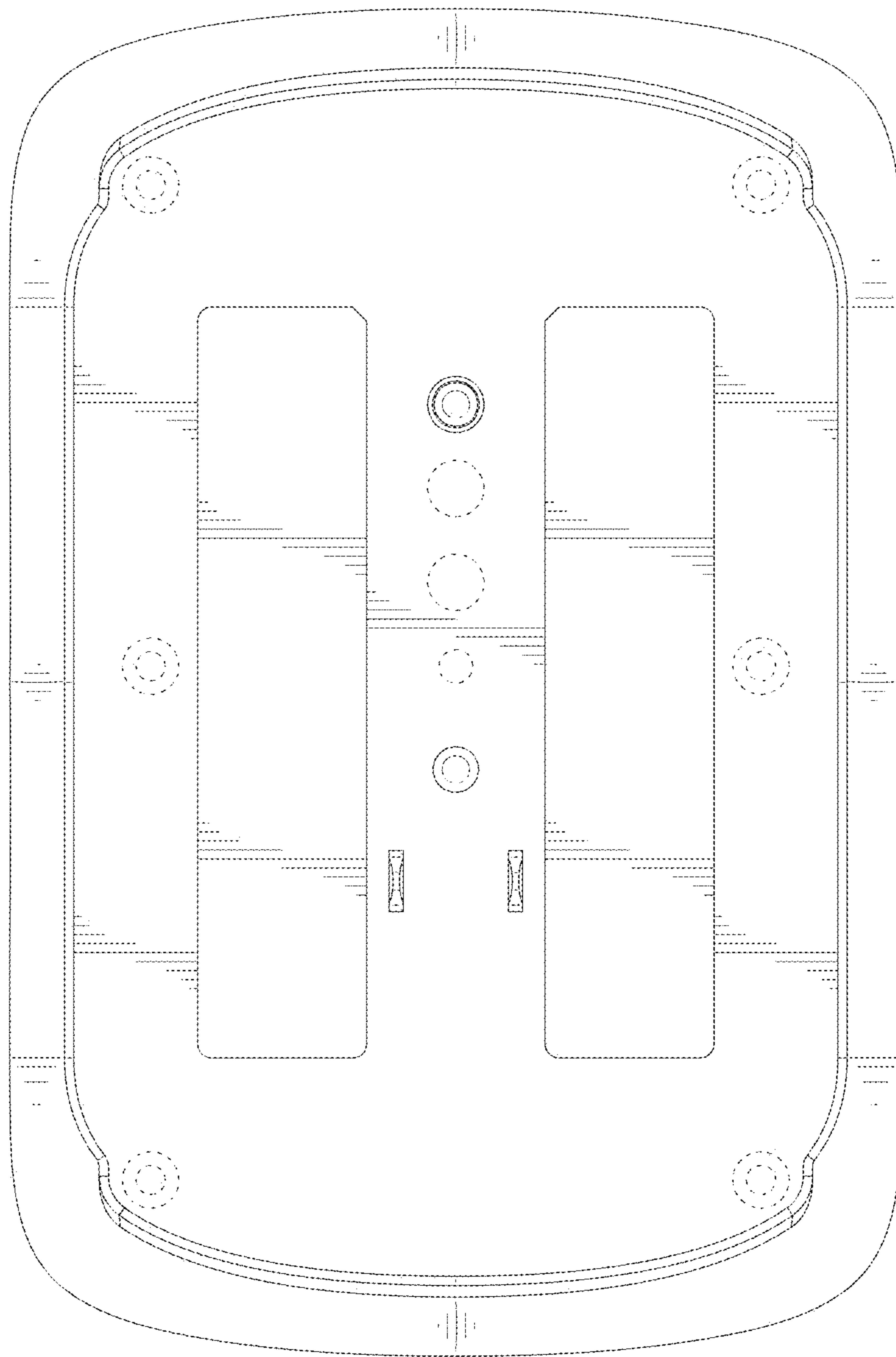


FIG.4

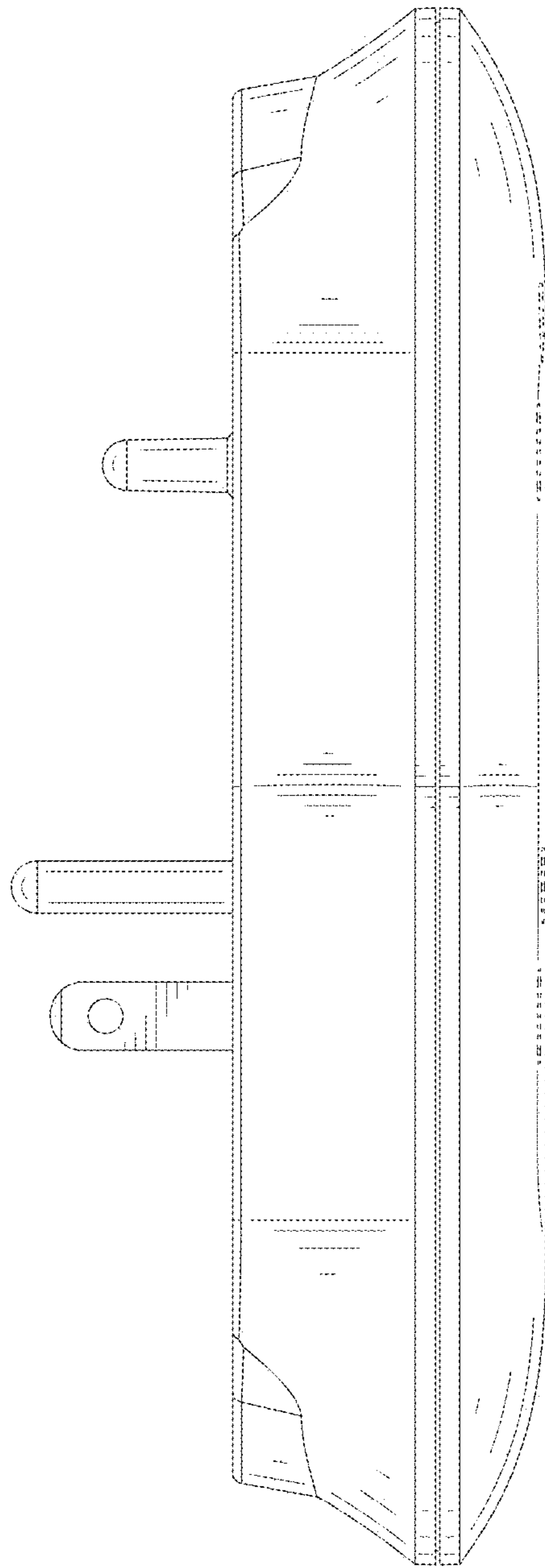


FIG.5

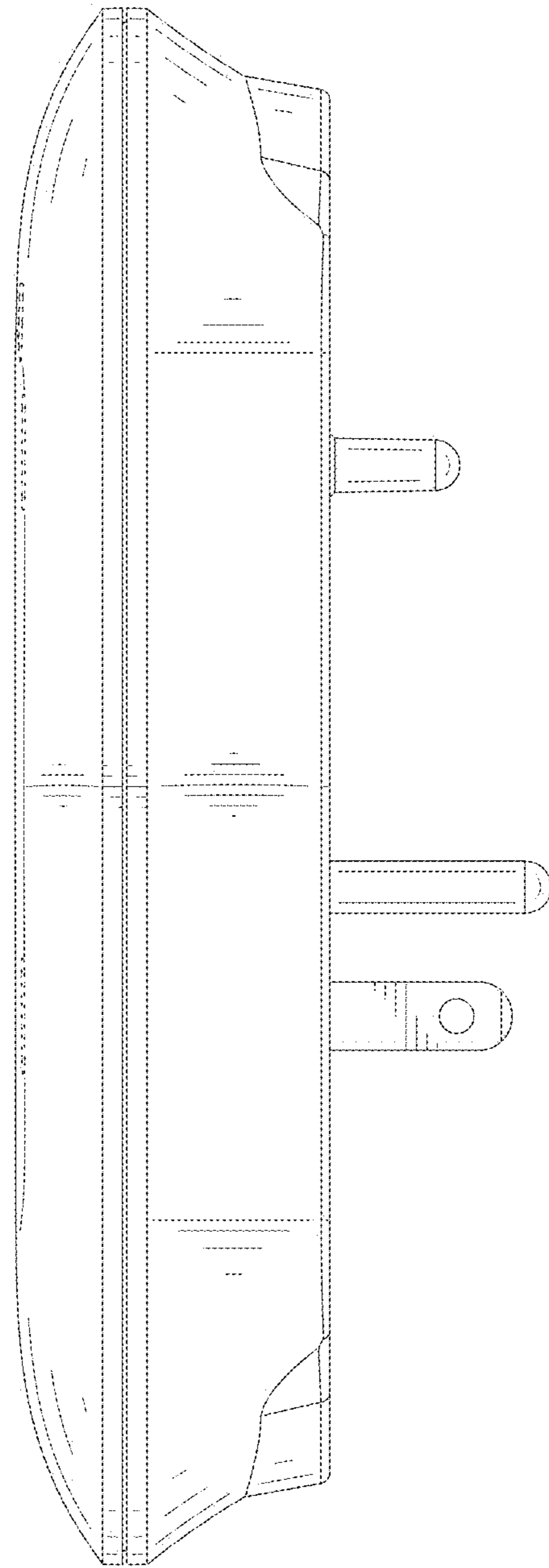


FIG.6



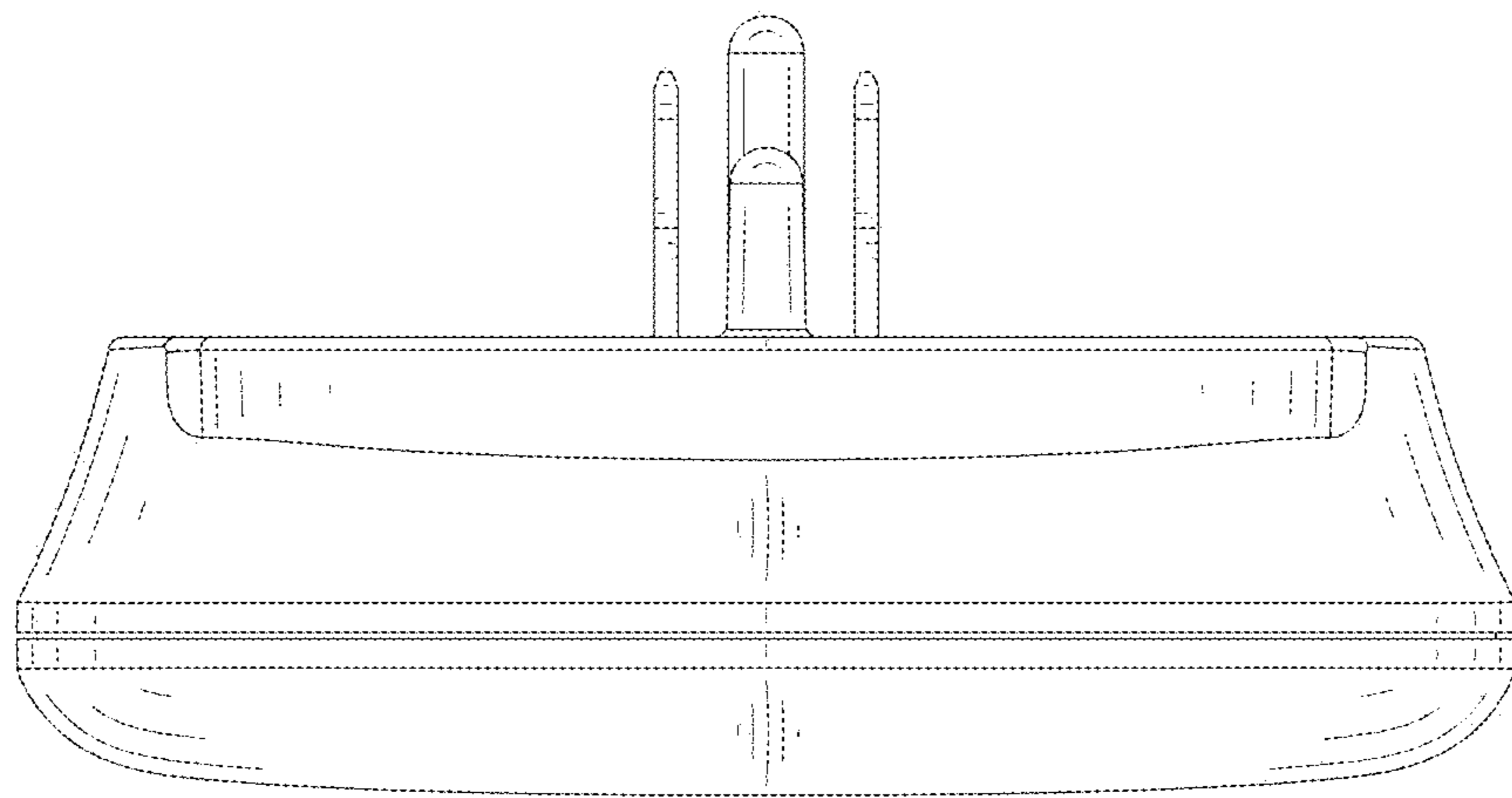


FIG.7

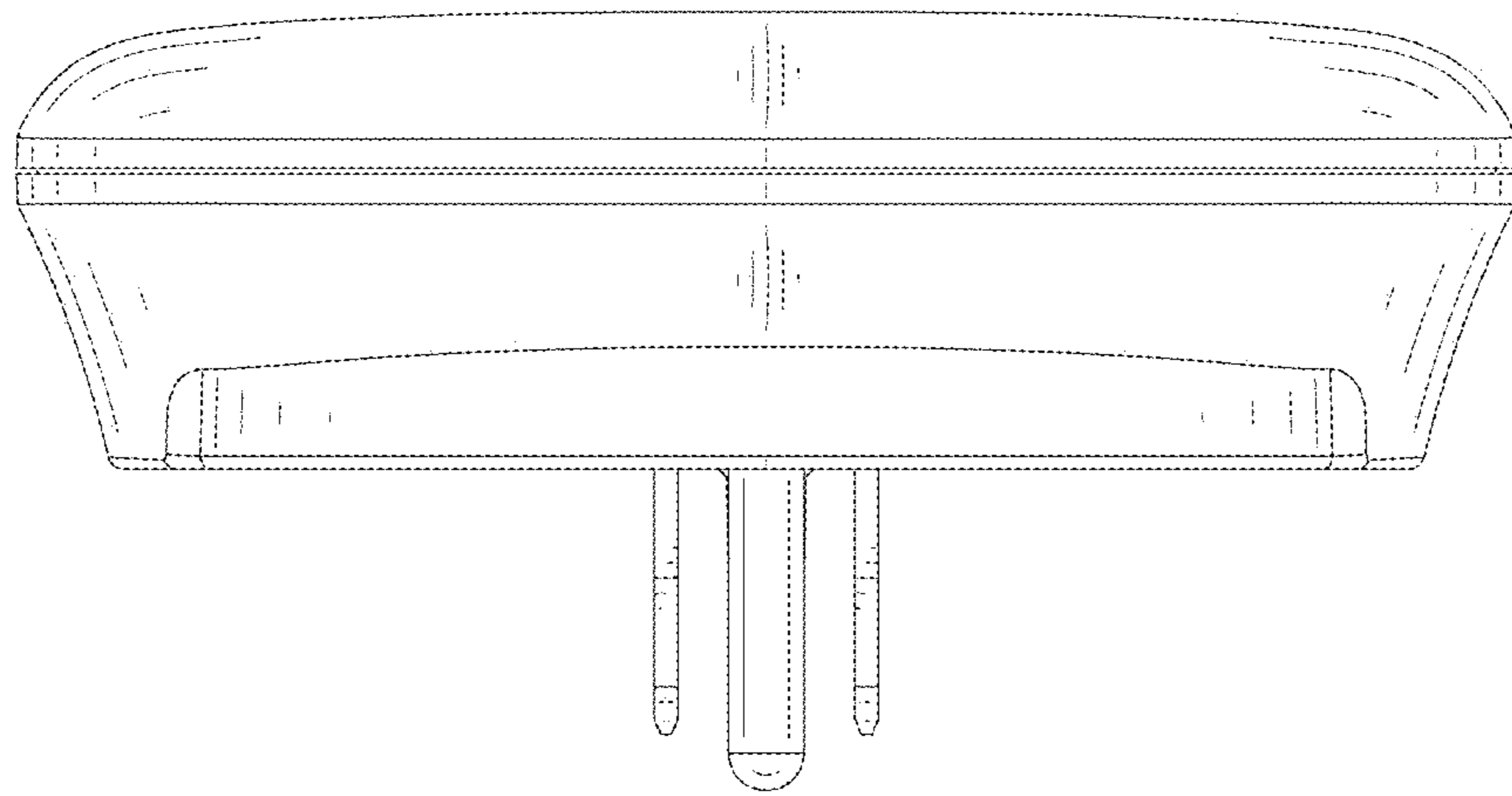


FIG.8