



US00D971841S

(12) **United States Design Patent** (10) **Patent No.:** **US D971,841 S**  
**Campos Antunes Ferrao** (45) **Date of Patent:** **\*\* Dec. 6, 2022**

(54) **FLOATING SUPPORT FOR OFFSHORE WIND TURBINE**

(71) Applicant: **AKER SOLUTIONS AS**, Lysaker (NO)

(72) Inventor: **Jorge Campos Antunes Ferrao**, Oslo (NO)

(73) Assignee: **AKER SOLUTIONS AS**, Lysaker (NO)

(\*\*) Term: **15 Years**

(21) Appl. No.: **29/794,930**

(22) Filed: **Jun. 16, 2021**

(30) **Foreign Application Priority Data**

Dec. 17, 2020 (NO) ..... 20201246

(51) **LOC (13) Cl.** ..... **13-01**

(52) **U.S. Cl.**  
USPC ..... **D13/115; D15/141; D13/118**

(58) **Field of Classification Search**  
USPC ..... D13/101, 115, 118, 122, 184, 199;  
D15/122, 138, 141

CPC ... B63B 35/44; B63B 2035/446; F03D 13/22;  
F03D 13/25; F03D 1/06; F03D 1/0608;  
Y02E 10/72; Y02E 10/727

See application file for complete search history.

(56) **References Cited**

**U.S. PATENT DOCUMENTS**

4,043,138 A \* 8/1977 Stageboe ..... E02B 17/025  
405/205  
9,415,842 B2 \* 8/2016 Thieffry ..... B63B 3/06

D782,416 S \* 3/2017 Paulin ..... D13/115  
9,964,097 B2 \* 5/2018 Dagher ..... E02B 17/027  
D838,243 S \* 1/2019 Rits ..... D13/115  
10,180,129 B2 \* 1/2019 Couchman ..... F03D 7/02  
10,259,542 B2 \* 4/2019 Grossmann ..... B63B 35/44  
10,683,065 B2 \* 6/2020 Lepreux ..... F16F 7/1034  
2006/0165493 A1 \* 7/2006 Nim ..... F03D 13/22  
405/223.1

\* cited by examiner

*Primary Examiner* — Derrick E Holland

(74) *Attorney, Agent, or Firm* — Norman B. Thot

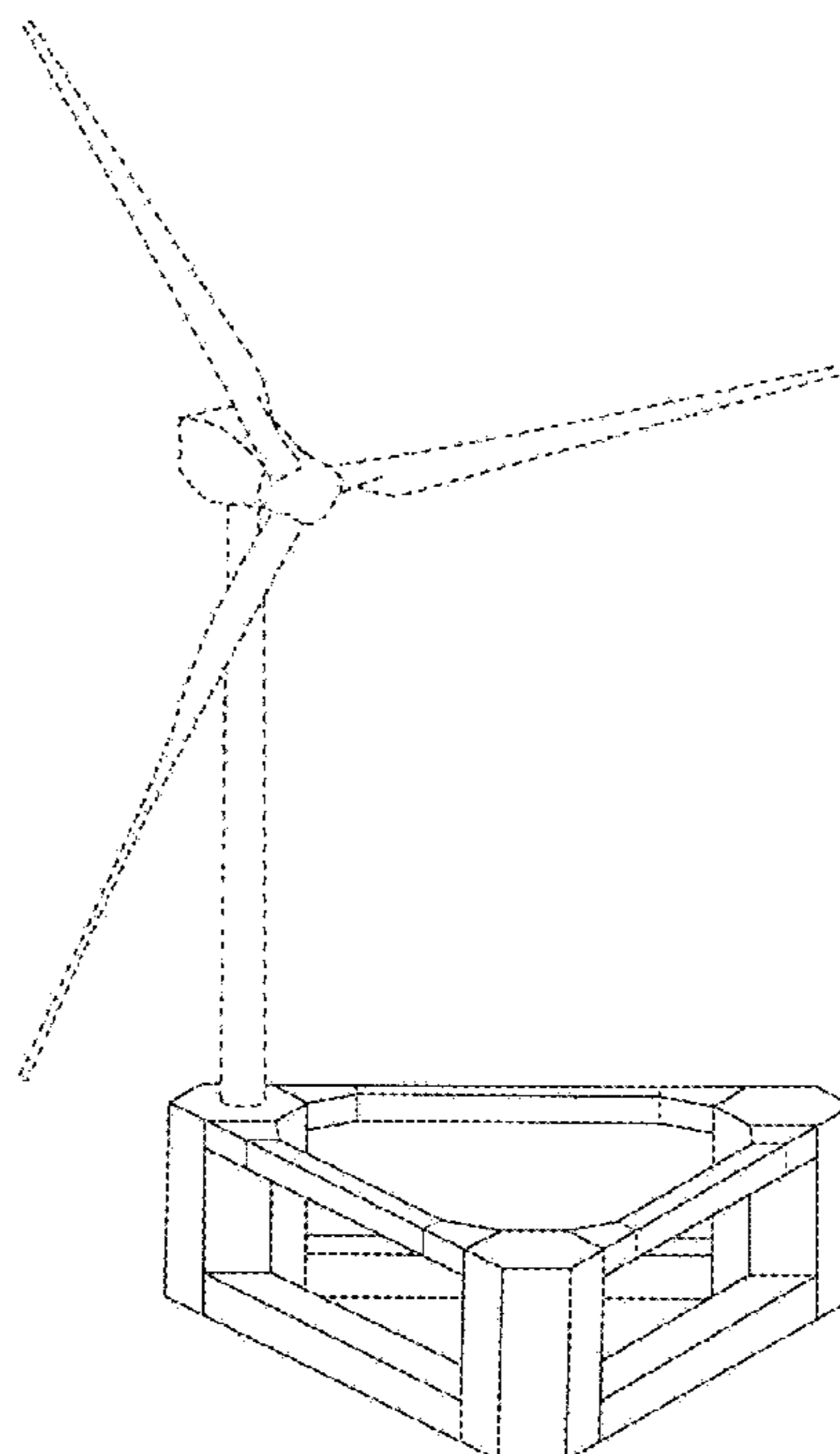
(57) **CLAIM**

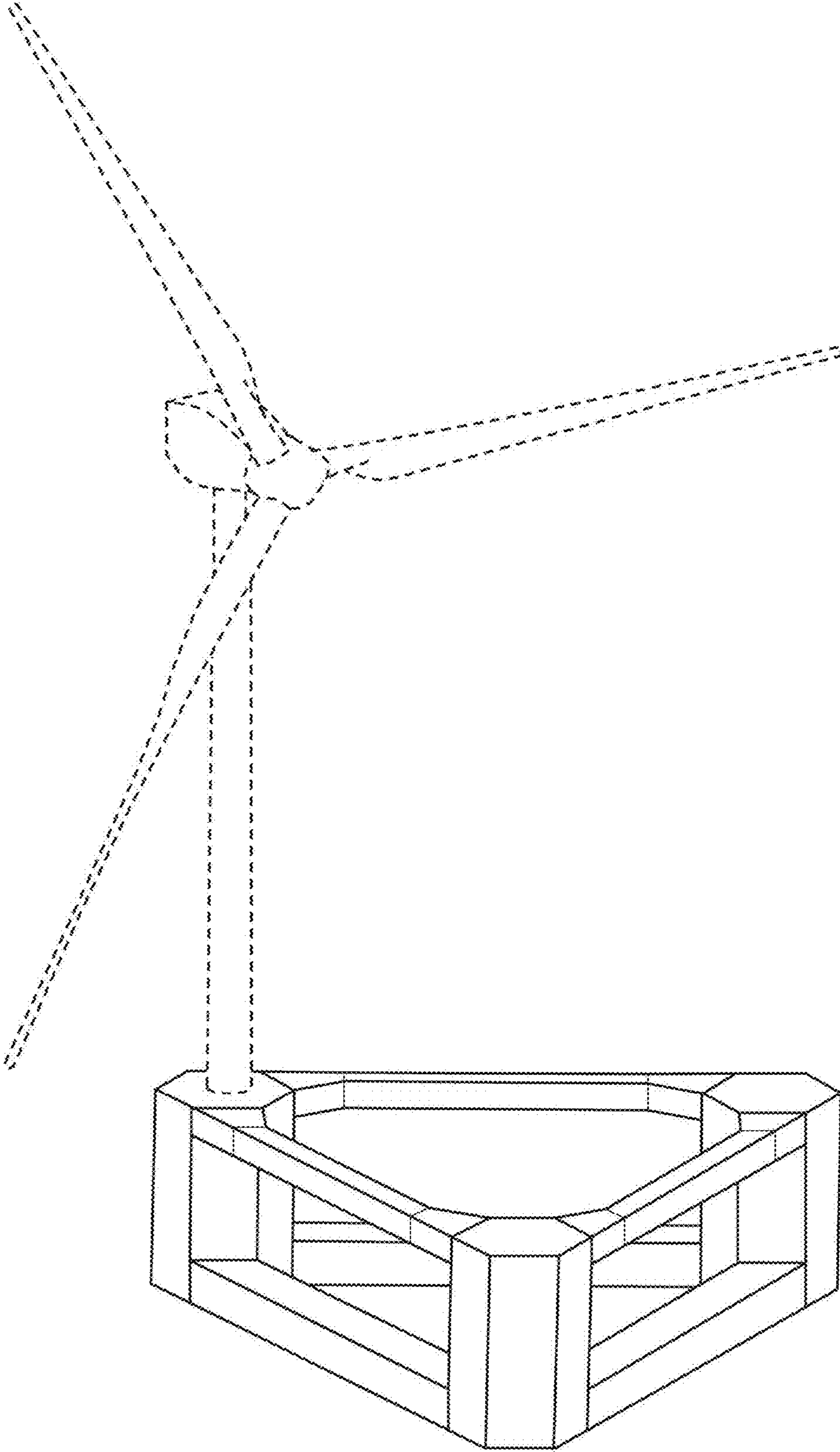
The ornamental design for a floating support for offshore wind turbine, as shown and described.

**DESCRIPTION**

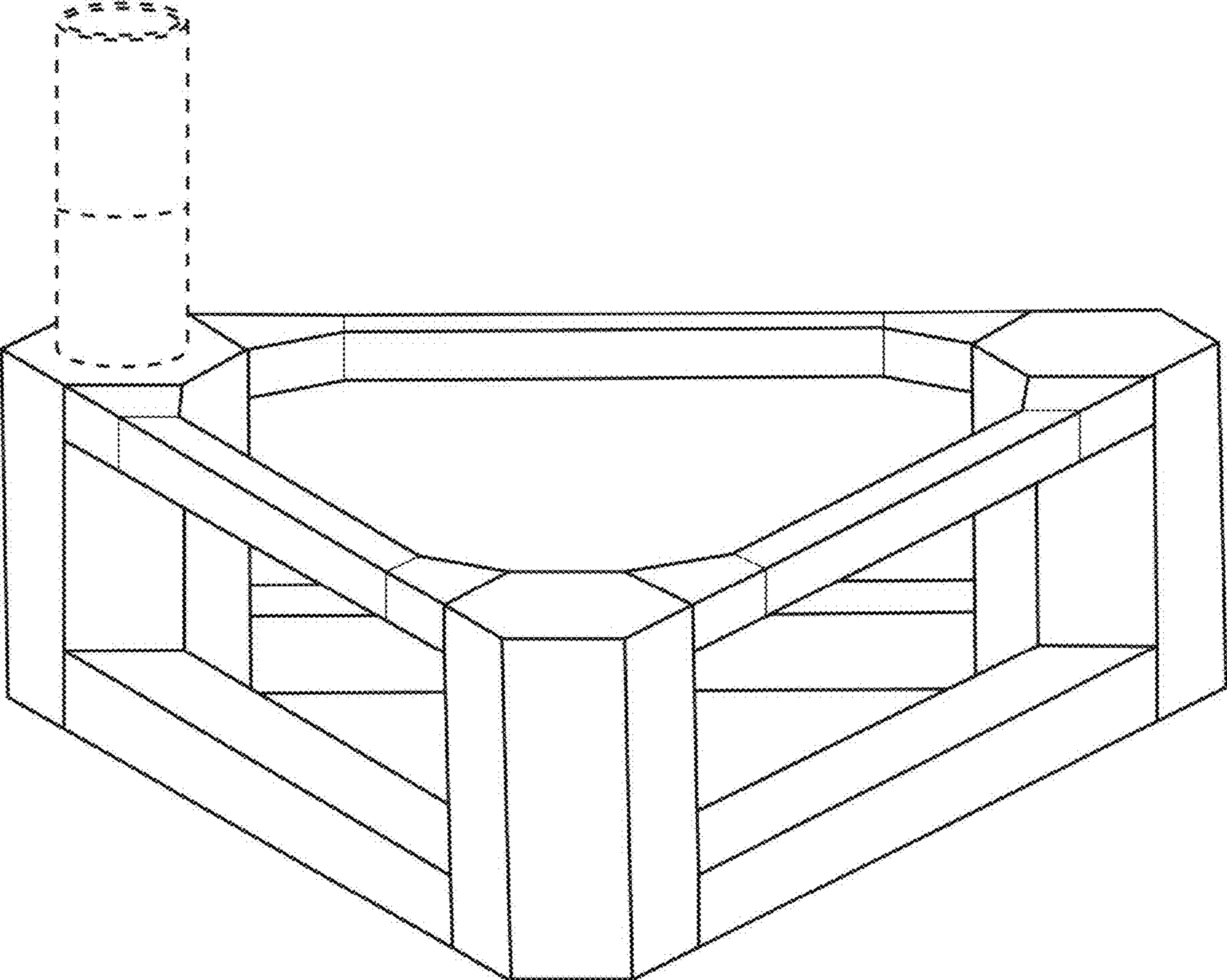
FIG. 1 is a first perspective view of a floating support for offshore wind turbine showing my new design;  
FIG. 2 is an enlarged perspective view thereof;  
FIG. 3 is an enlarged front elevation view thereof;  
FIG. 4 is a second enlarged perspective view thereof;  
FIG. 5 is enlarged top plan view thereof;  
FIG. 6 is a third enlarged perspective view thereof; and,  
FIG. 7 is an enlarged bottom plan view thereof.  
The broken lines shown represent environmental subject matter and form no part of the claimed design.

**1 Claim, 7 Drawing Sheets**

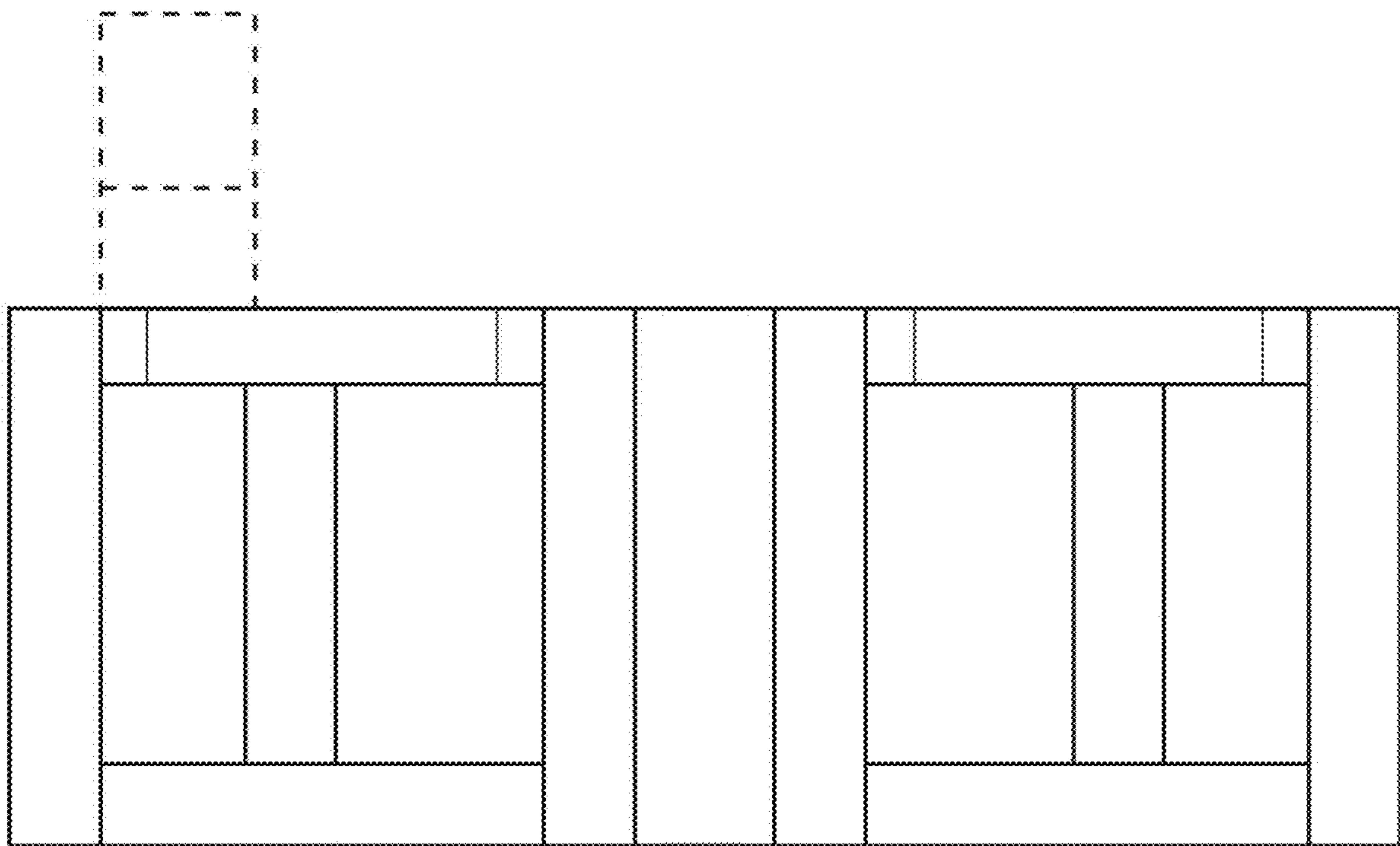




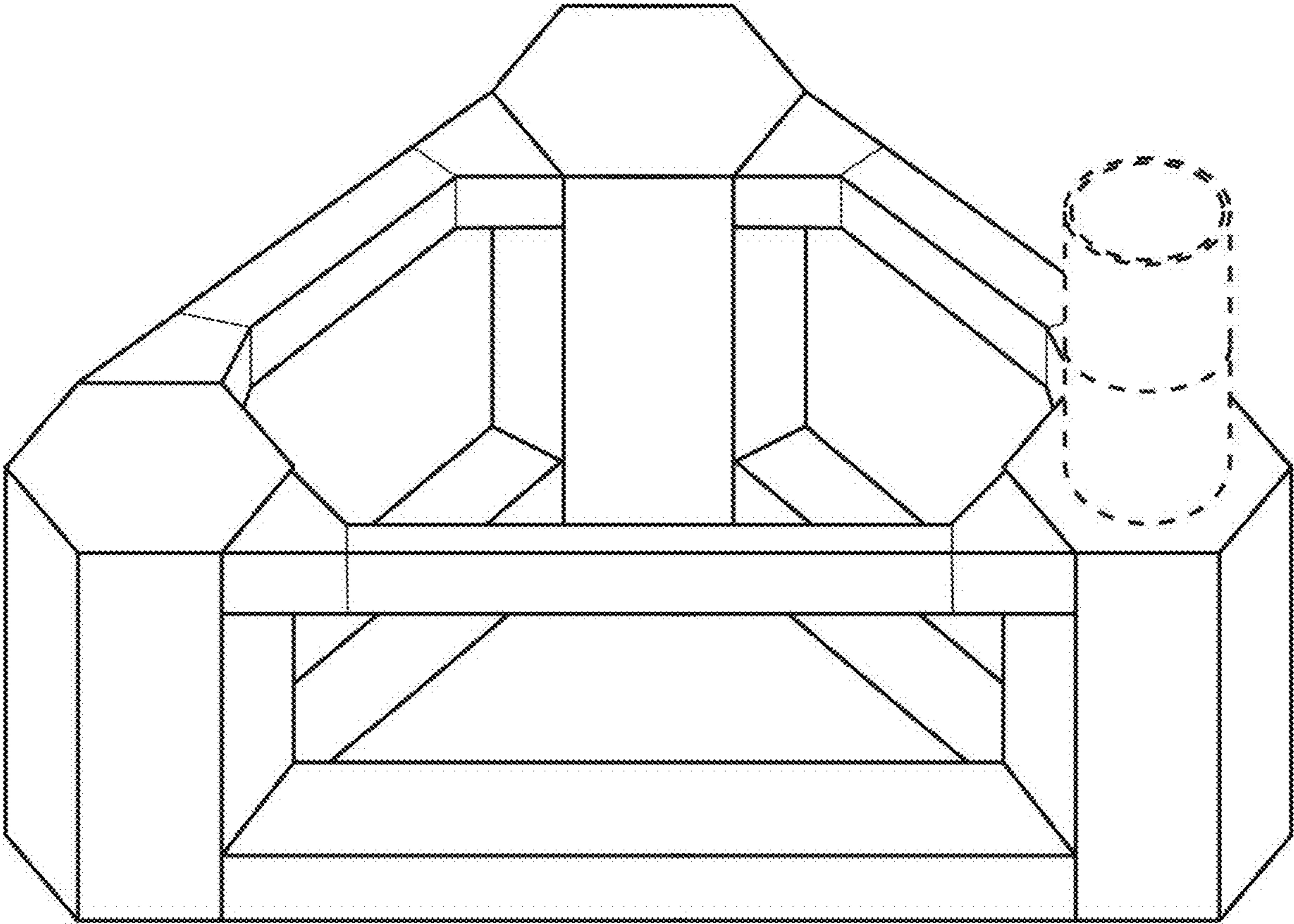
**Fig. 1**



**Fig. 2**

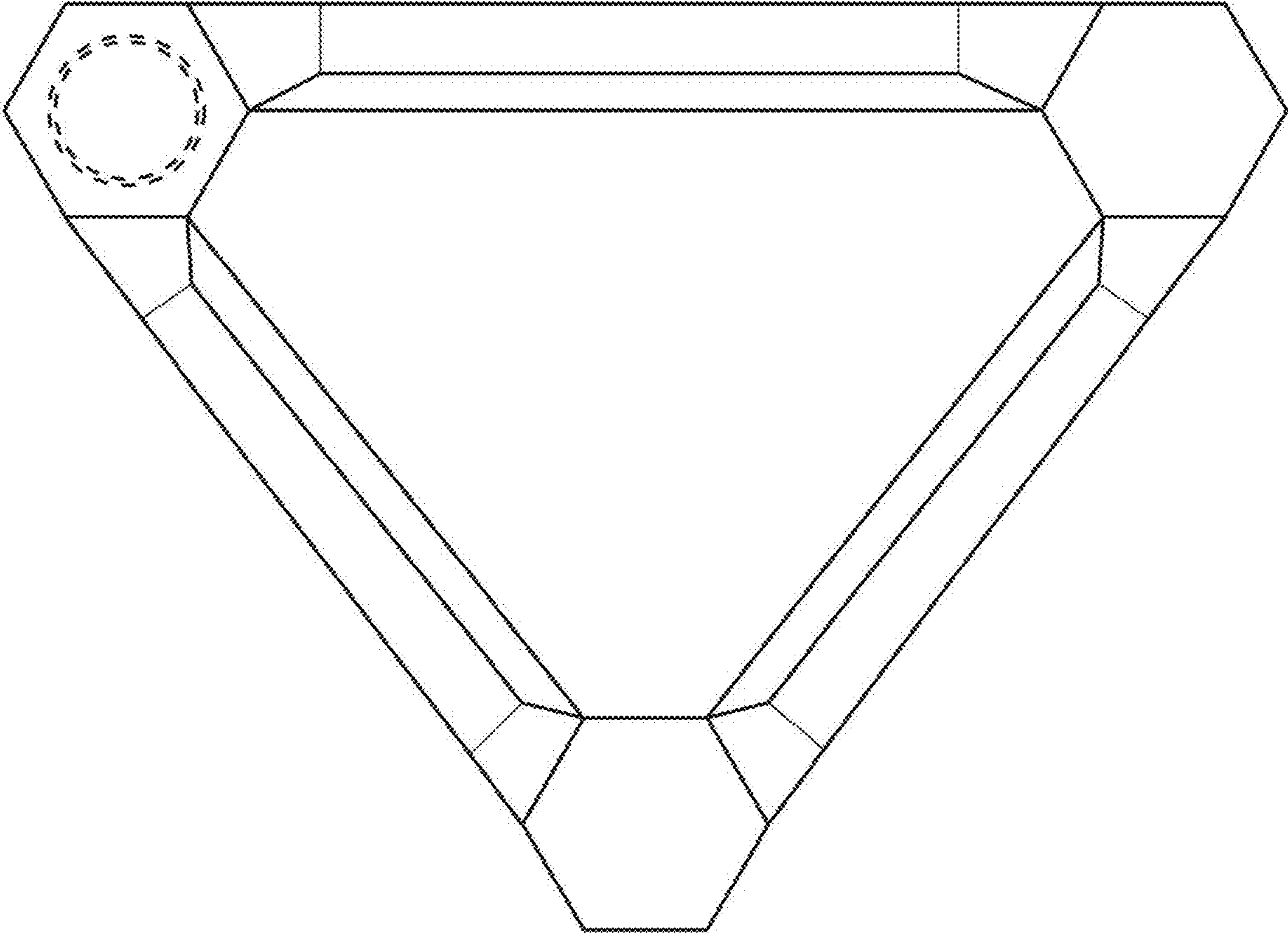


**Fig. 3**

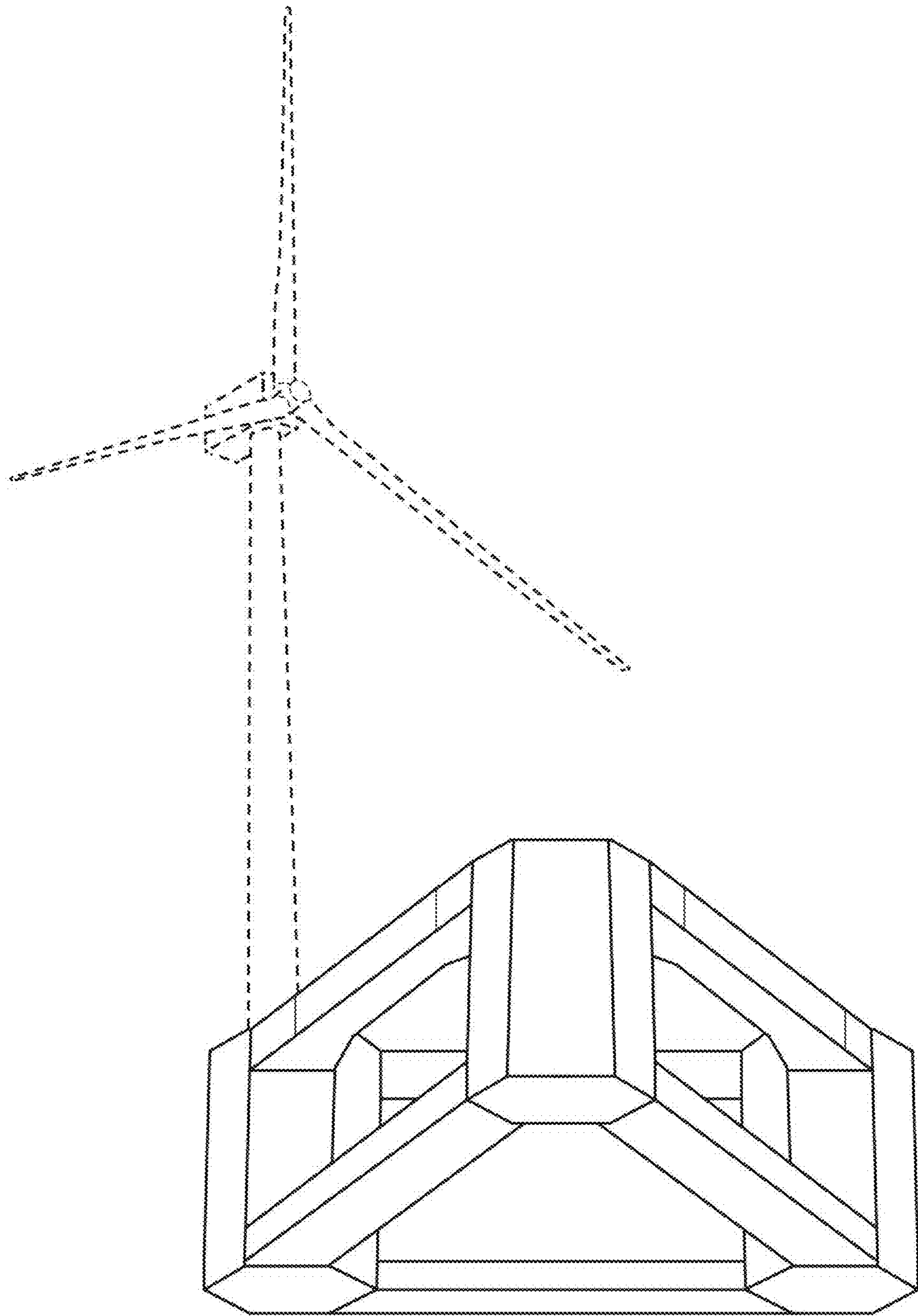


**Fig. 4**

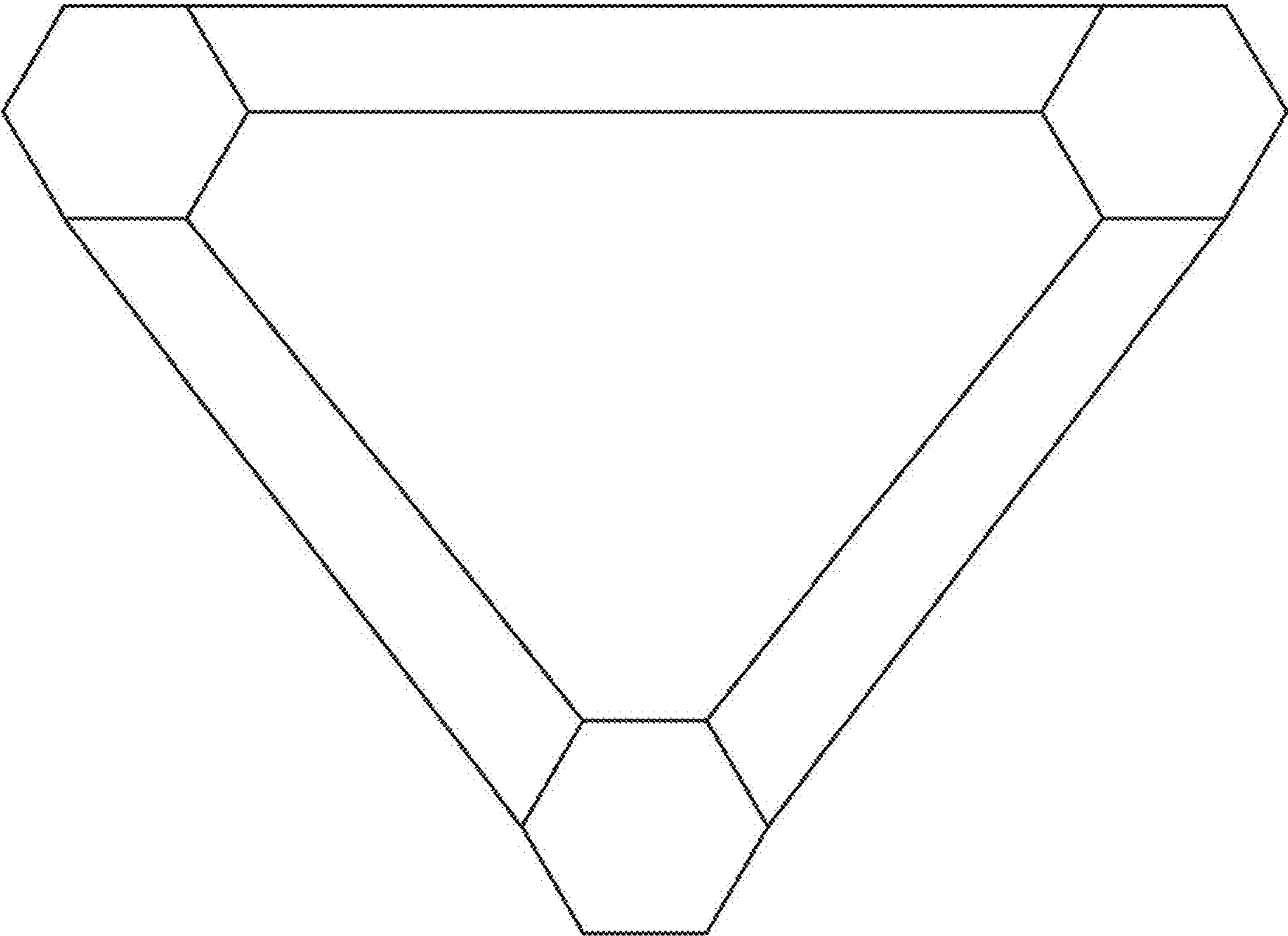




**Fig. 5**



**Fig. 6**



**Fig. 7**