



US00D971840S

(12) **United States Design Patent**
Yang

(10) **Patent No.:** **US D971,840 S**

(45) **Date of Patent:** **** Dec. 6, 2022**

(54) **WIRELESS CHARGER**

(71) Applicant: **Ming Yang**, Shenzhen (CN)

(72) Inventor: **Ming Yang**, Shenzhen (CN)

(**) Term: **15 Years**

(21) Appl. No.: **29/826,454**

(22) Filed: **Feb. 11, 2022**

(51) **LOC (13) Cl.** **13-02**

(52) **U.S. Cl.**

USPC **D13/108**

(58) **Field of Classification Search**

USPC D13/103, 107, 108, 118, 119, 183;
D14/217, 240, 251, 253, 432, 433, 434,
D14/439, 447

CPC H02J 7/0049; H02J 50/05; H02J 7/0027;
H04M 1/06

See application file for complete search history.

(56) **References Cited**

U.S. PATENT DOCUMENTS

D799,464 S	*	10/2017	Zaihui	D14/252
D812,564 S		3/2018	Feng		
D875,043 S	*	2/2020	Yi	D13/108
D884,621 S	*	5/2020	Feng	D13/108
D892,046 S	*	8/2020	Peng	D13/108
D911,277 S		2/2021	Shang		
D917,386 S		4/2021	Xu		
D918,136 S	*	5/2021	Xu	D13/108
D920,239 S	*	5/2021	Cheng	D13/108
D926,685 S	*	8/2021	Fan	D13/108
D933,005 S		10/2021	Yarbough et al.		
D933,594 S	*	10/2021	Zhang	D13/108
D935,400 S	*	11/2021	Zhang	D13/108
D954,646 S	*	6/2022	Liao	D13/108

2011/0306393	A1*	12/2011	Goldman	H04M 1/04 345/173
2016/0195898	A1*	7/2016	Lau	H04M 1/04 361/679.41
2016/0261139	A1*	9/2016	Kidakarn	H02J 7/0044

OTHER PUBLICATIONS

“Hoidokly Dual Wireless Charger”. Found online Feb. 10, 2021 at amazon.co.uk. Reference dated May 15, 2019. Retrieved from https://www.amazon.co.uk/dp/B07S6ZDDQF/ref=sspa_dk_detail_5. (Year: 2019).*

(Continued)

Primary Examiner — Kendra Leslie Hamilton

Assistant Examiner — Amanda Christensen

(74) *Attorney, Agent, or Firm* — Jeenam Park

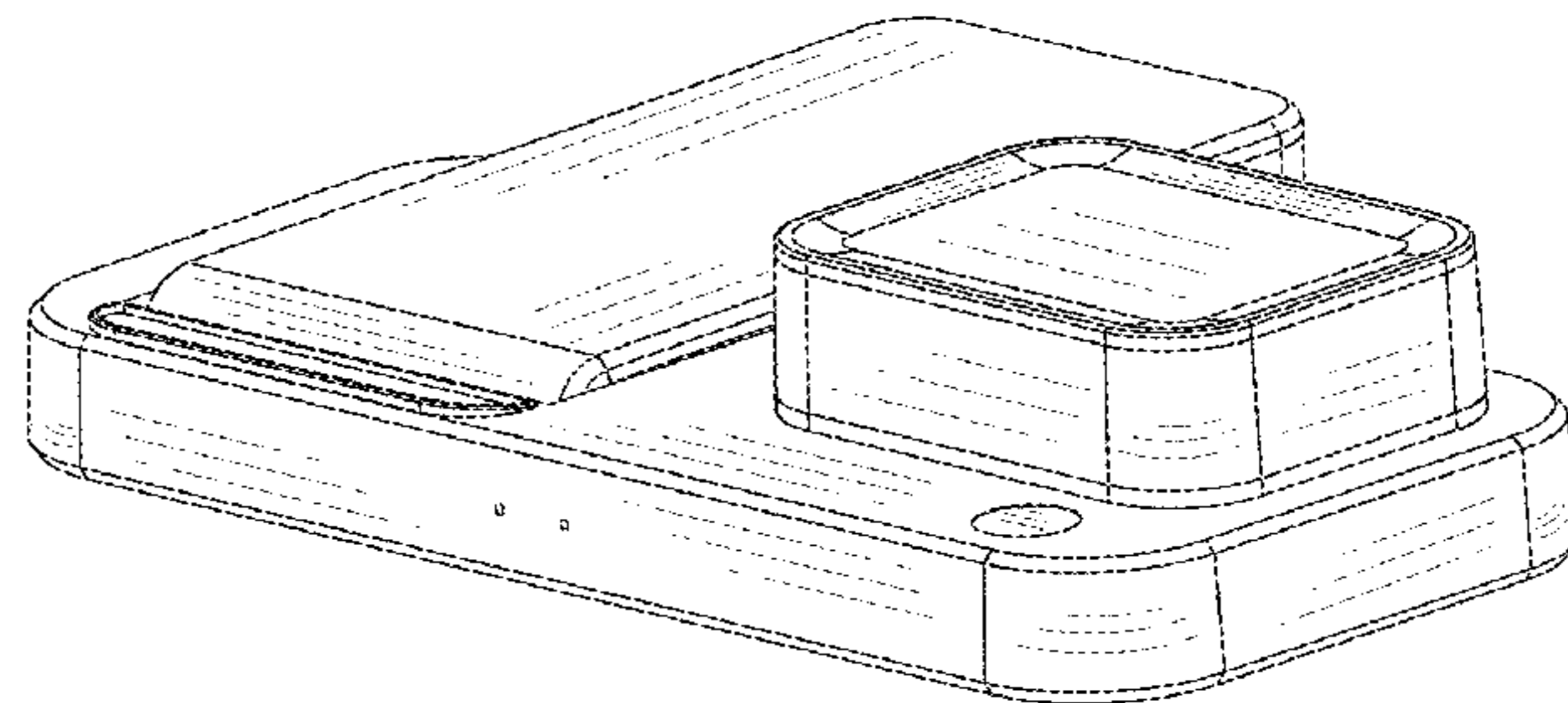
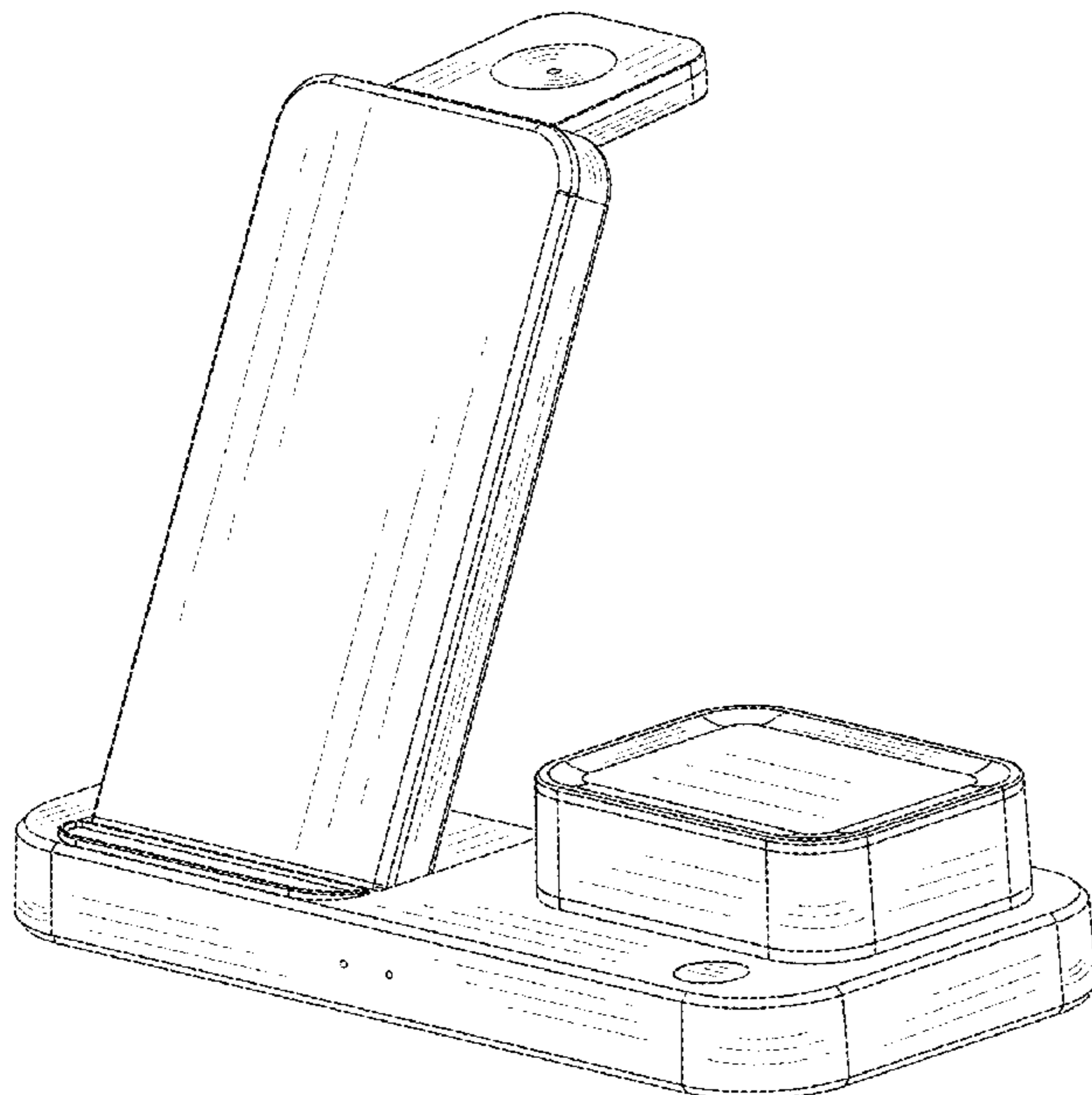
(57) **CLAIM**

The ornamental design for a wireless charger, as shown and described.

DESCRIPTION

FIG. 1 is a top, front, left side perspective view of a wireless charger, showing my new design in a first configuration; FIG. 2 is a top, front, left side perspective view of the wireless charger, shown closed in a second configuration; FIG. 3 is a top, front, left side perspective view of the wireless charger, shown open in a third configuration; FIG. 4 is a front view of the wireless charger, shown in the first configuration; FIG. 5 is a rear view thereof; FIG. 6 is a left side view thereof; FIG. 7 is a right side view thereof; FIG. 8 is a top plan view thereof; FIG. 9 is a top, rear, left side perspective view thereof; and, FIG. 10 is another perspective view of the wireless charger. The broken lines depict portions of the wireless charger that form no part of the claimed design.

1 Claim, 10 Drawing Sheets



(56)

References Cited

OTHER PUBLICATIONS

“Powlaken Wireless Charger”. Found online Feb. 10, 2021 at amazon.com. Reference dated Oct. 10, 2019. Retrieved from https://www.amazon.com/dp/B07YY3SDHM/ref=sspa_dk_detail_3 (Year: 2019).*

“Logitech Powered Wireless Charging Dock”. Found online Feb. 10, 2021 at amazon.com. Reference dated Aug. 2, 2020. Retrieved from <https://www.amazon.com/Logitech-powered-wireless-charging-graphite/dp/B08F4M67H8>. (Year: 2020).*

* cited by examiner

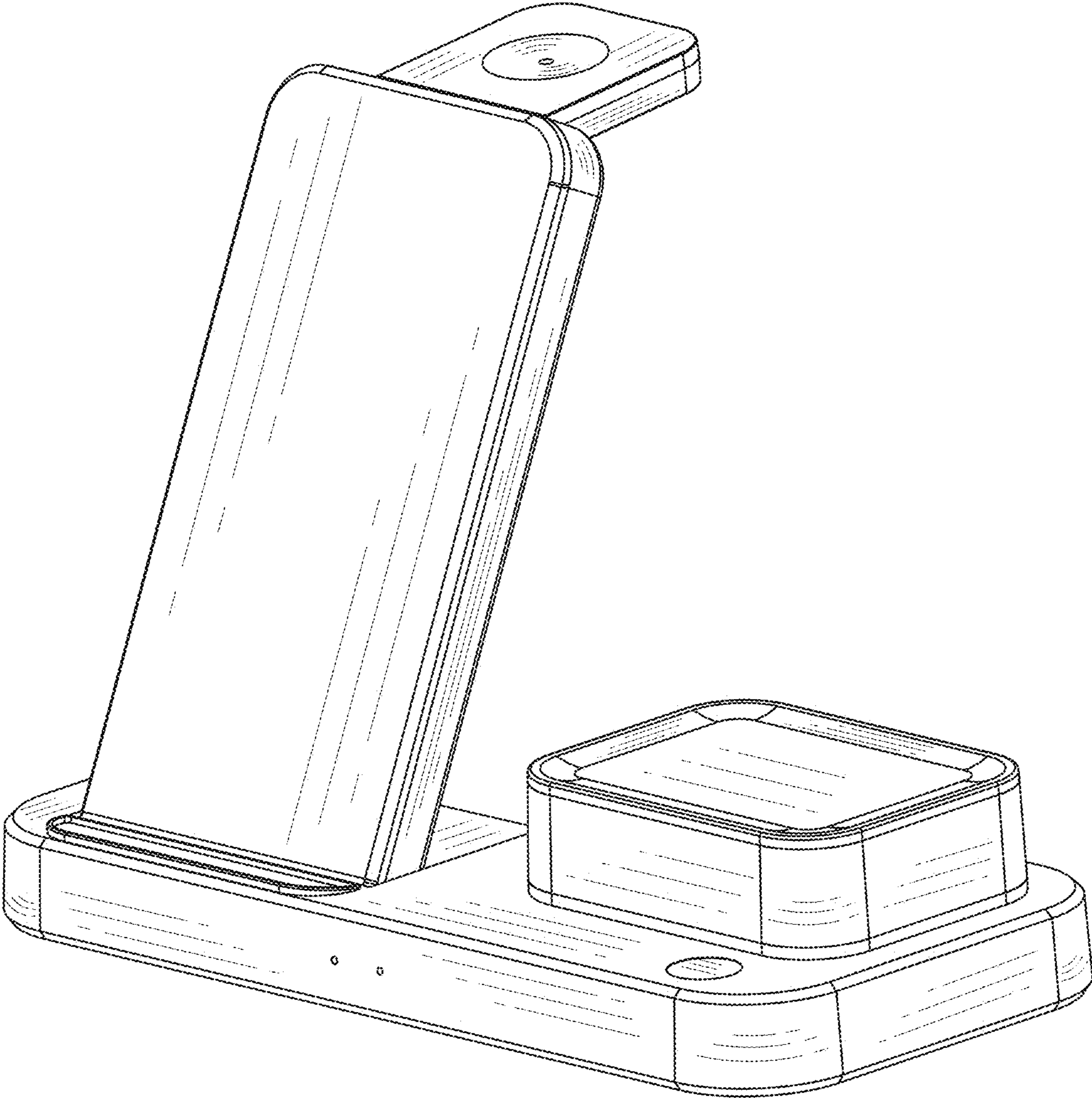


FIG. 1

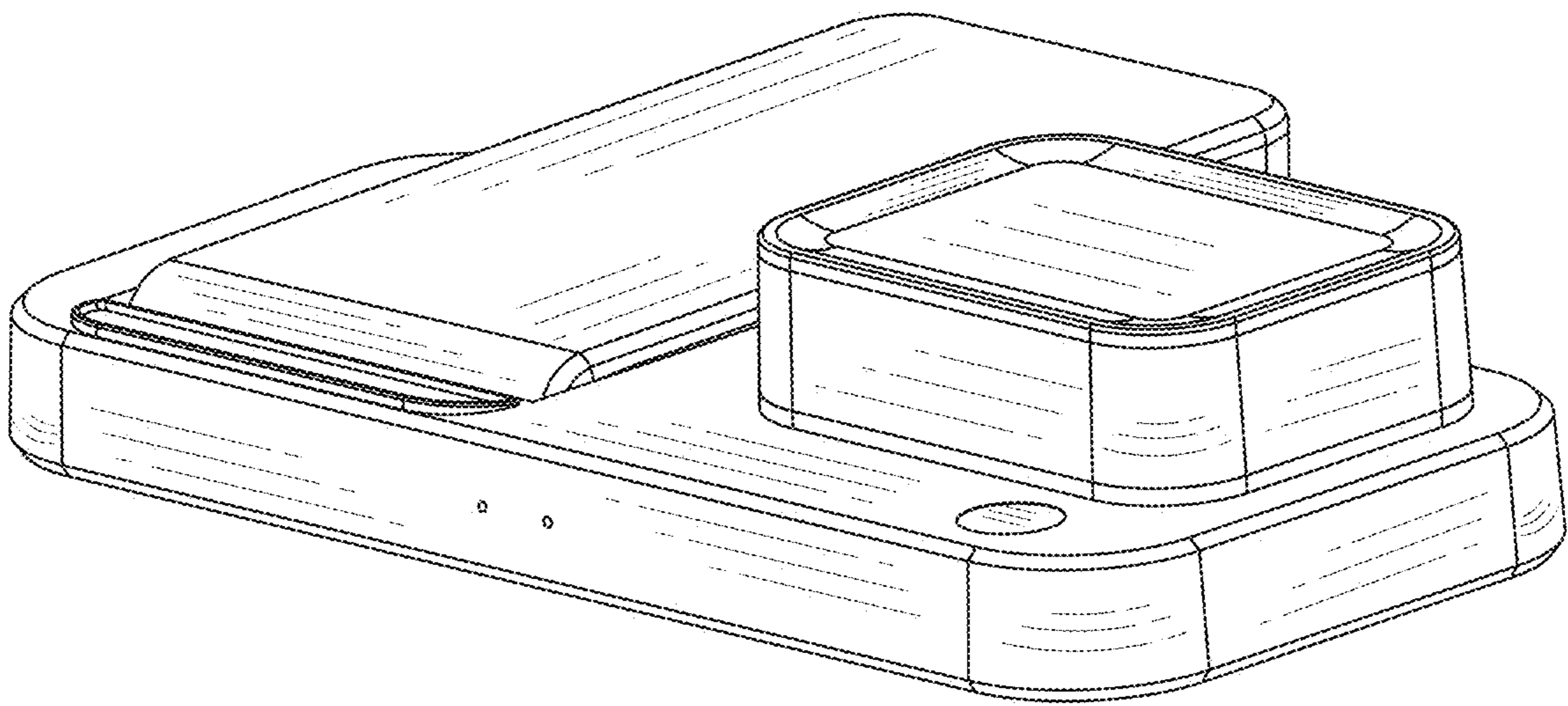


FIG. 2

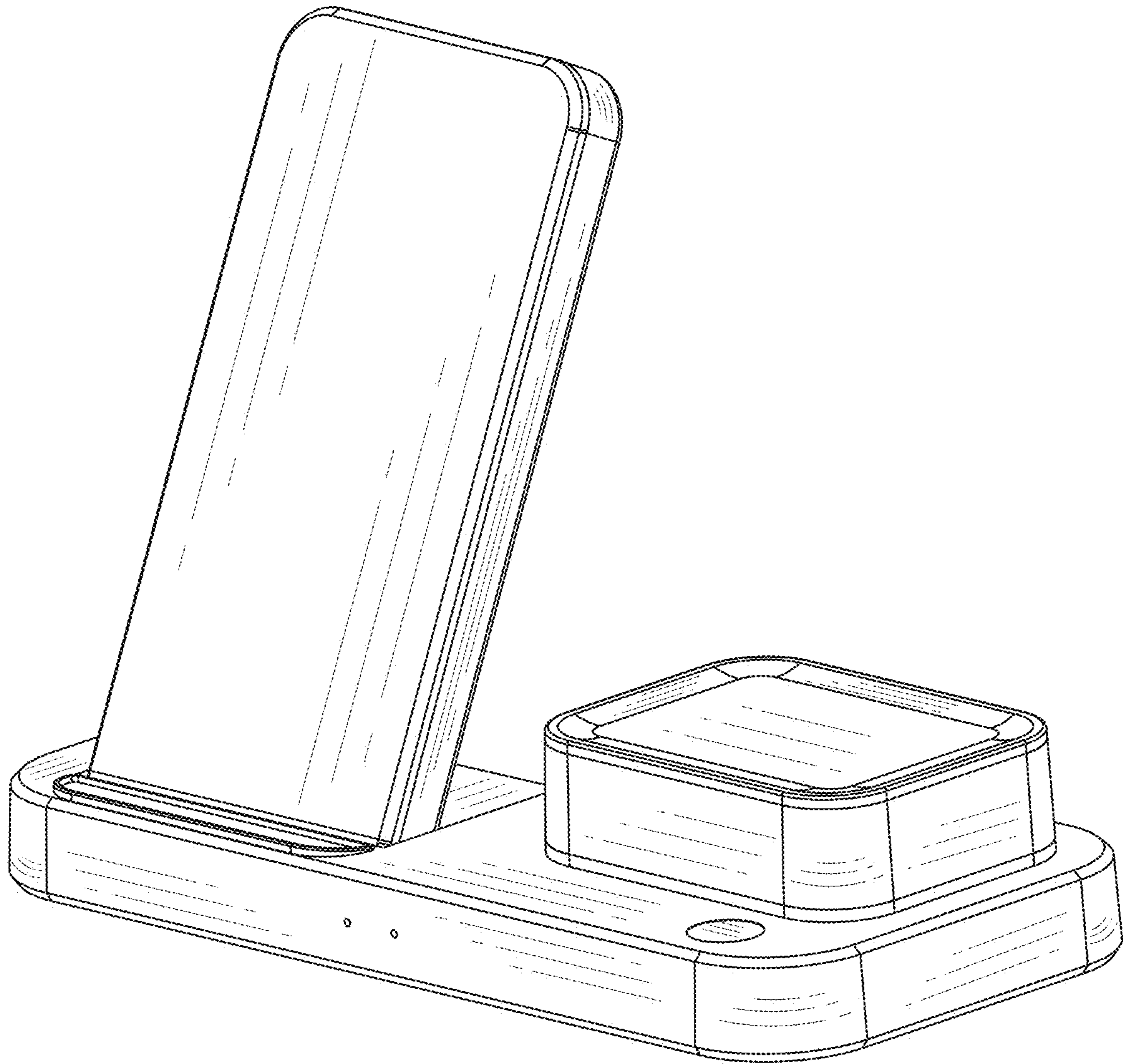


FIG. 3

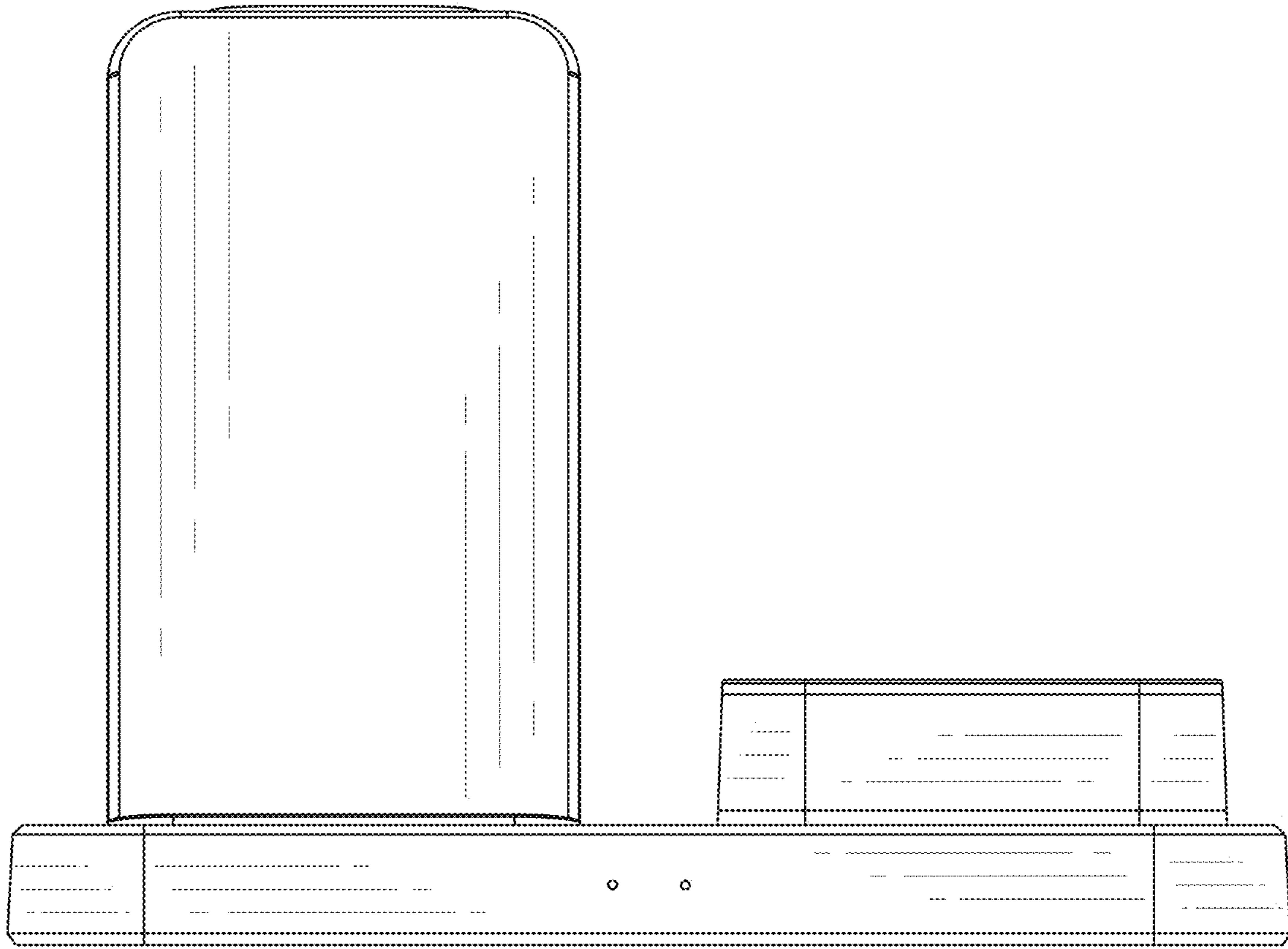


FIG. 4

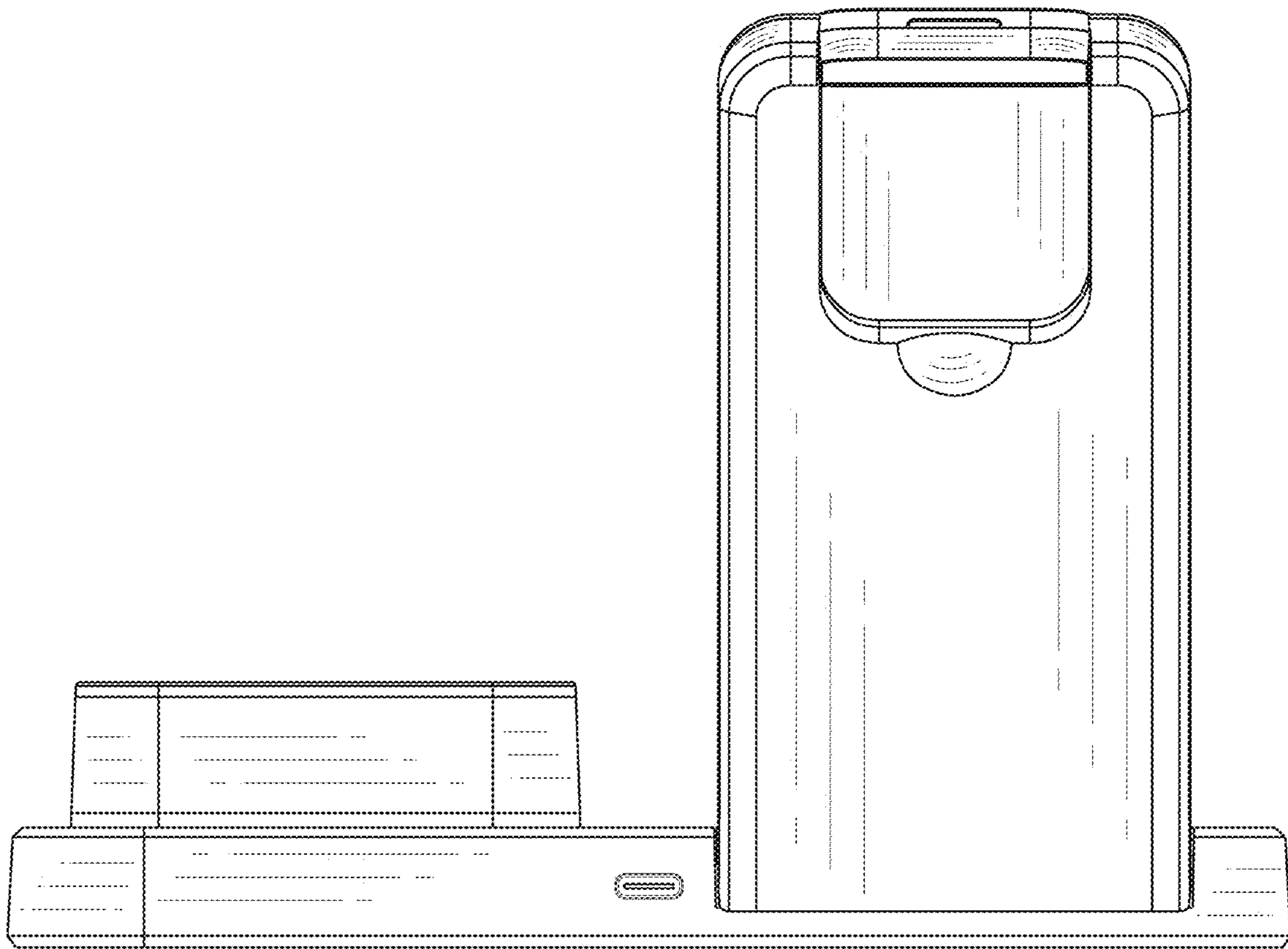


FIG. 5

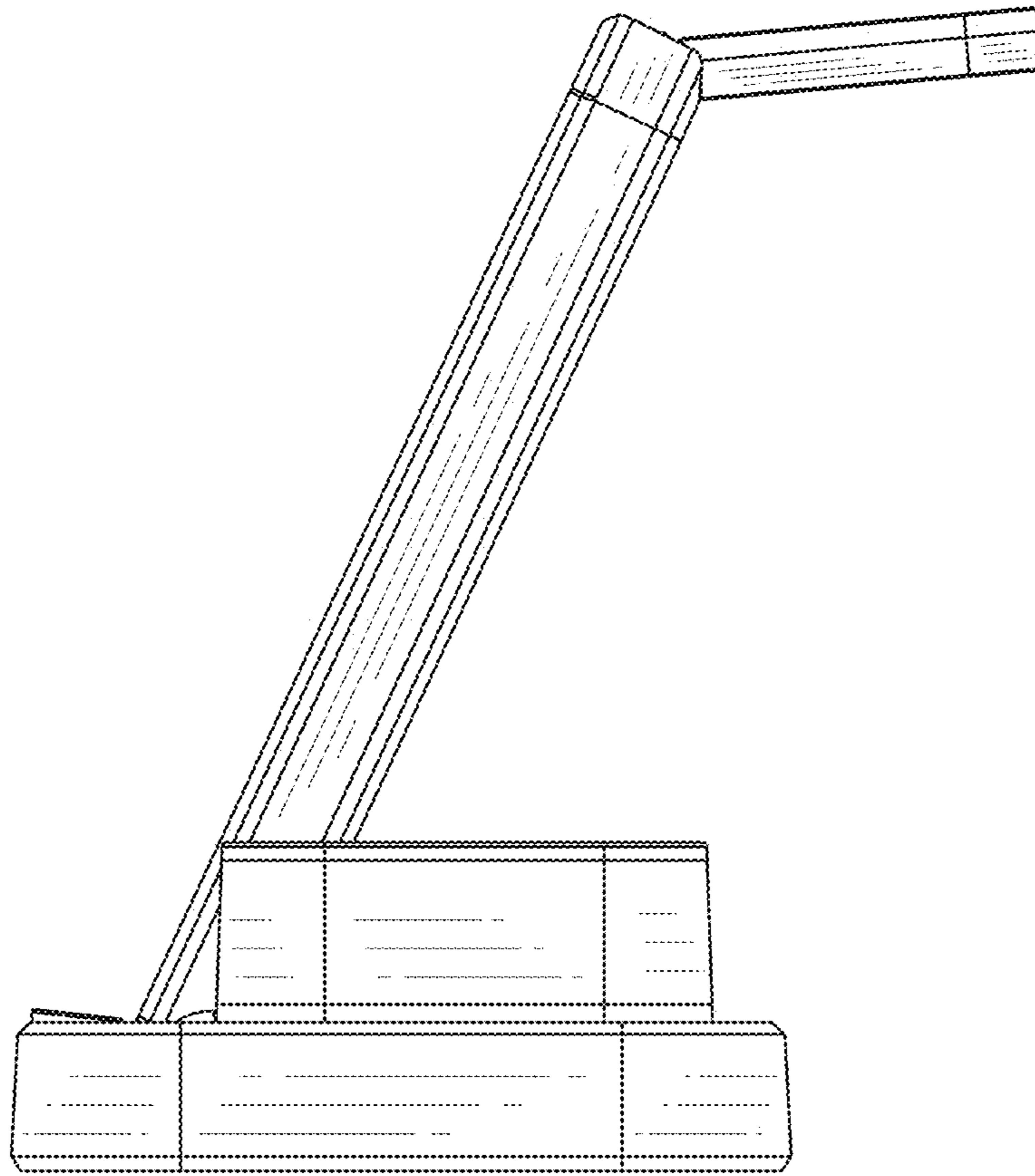


FIG. 6

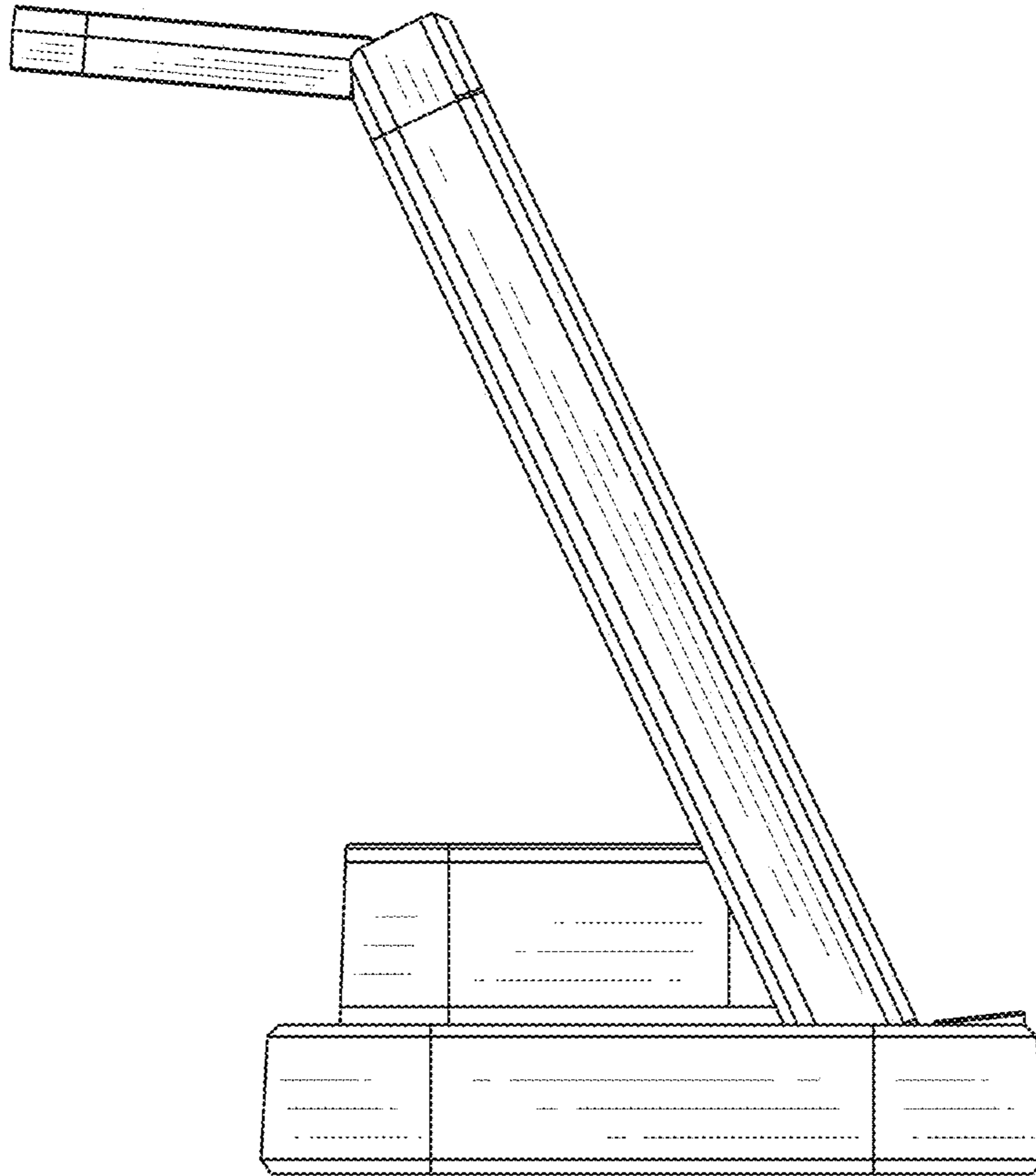


FIG. 7

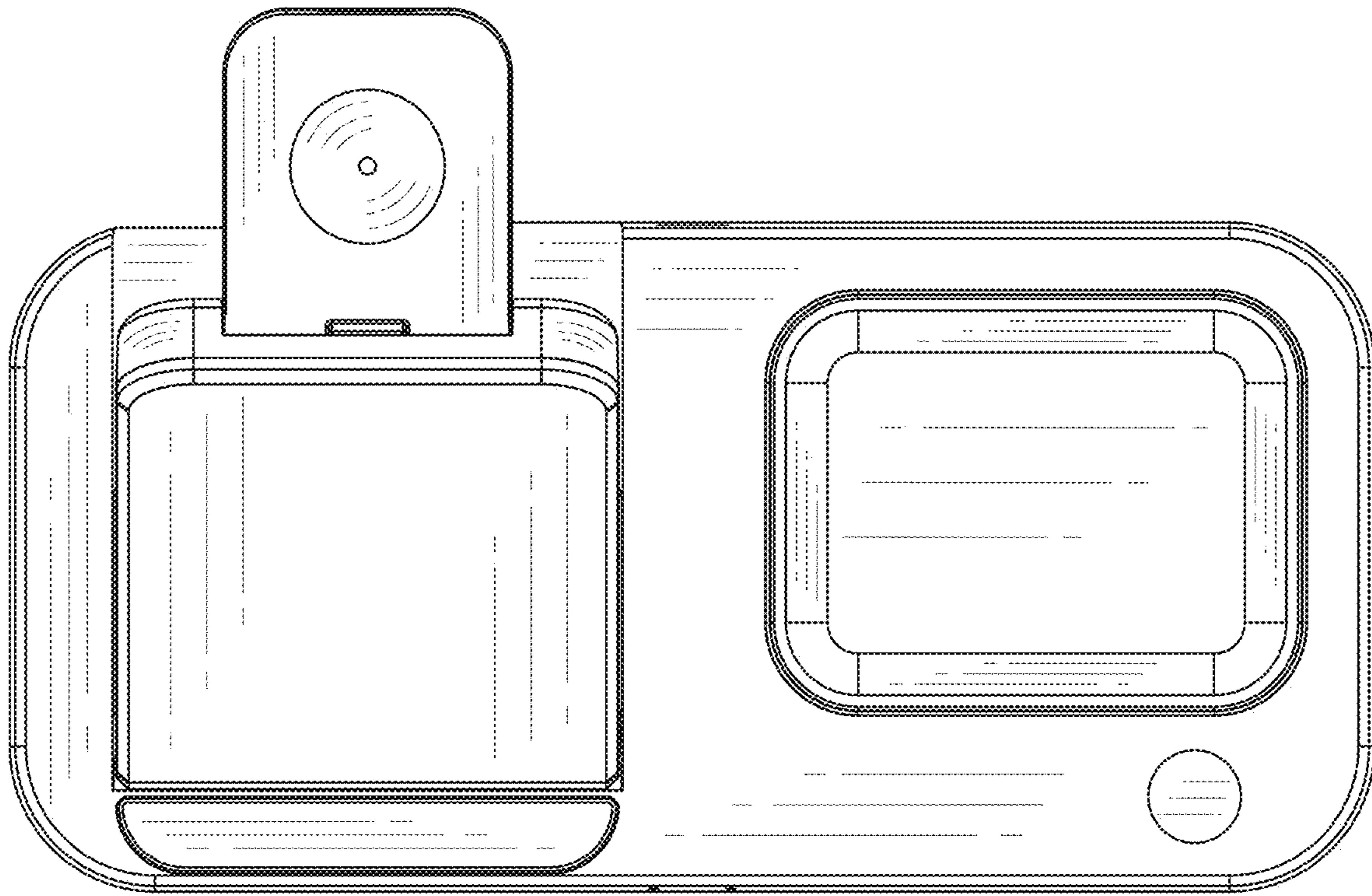


FIG. 8

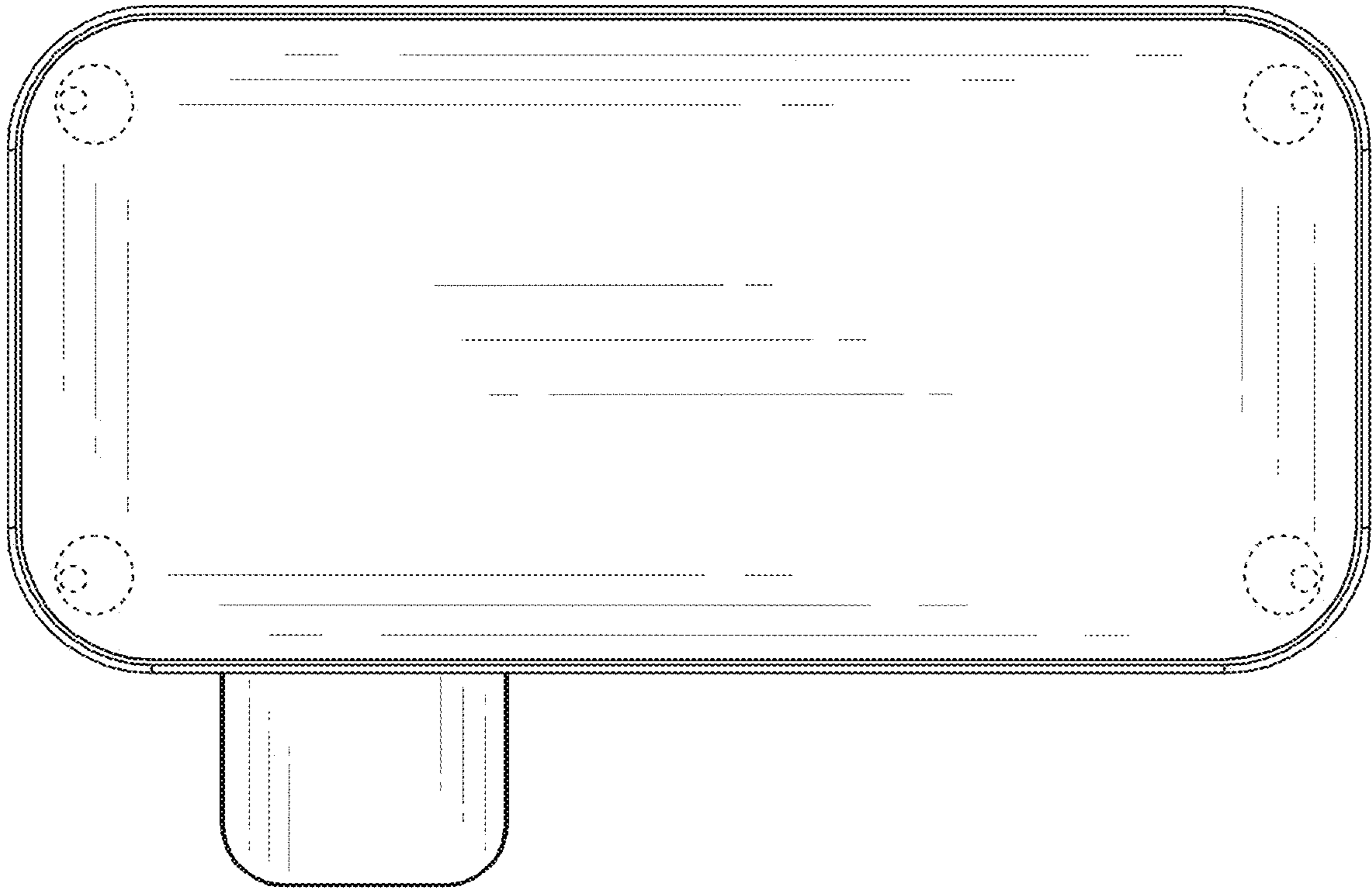


FIG. 9

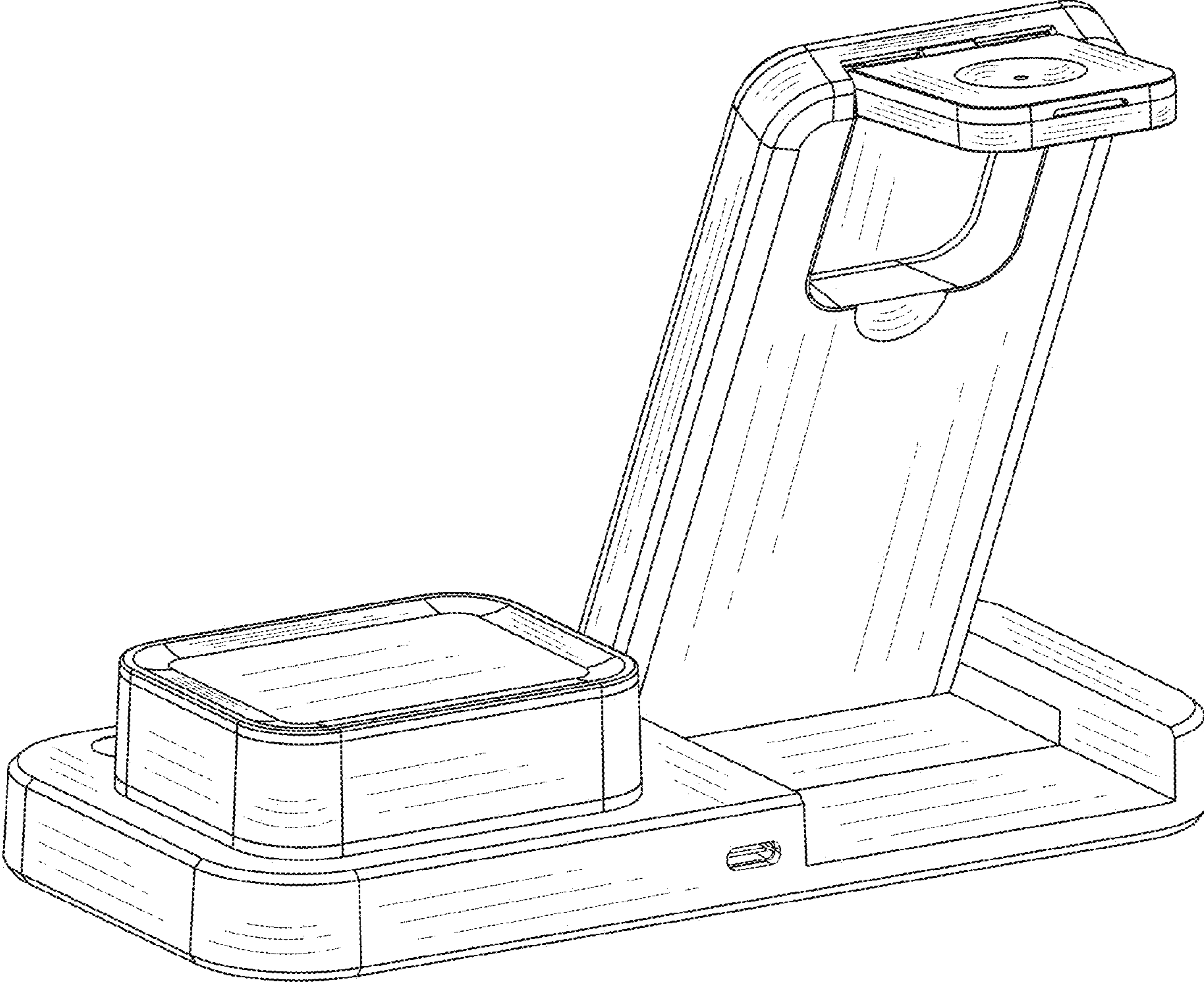


FIG. 10