



US00D971838S

(12) **United States Design Patent**
Zhou

(10) **Patent No.:** **US D971,838 S**
(45) **Date of Patent:** **** Dec. 6, 2022**

(54) **WIRELESS CHARGER**

(71) Applicant: **Dongguanshi Zhuoshi Intelligent Tech Co., Ltd, Dongguan (CN)**

(72) Inventor: **WenShu Zhou, Heyuan (CN)**

(**) Term: **15 Years**

(21) Appl. No.: **29/795,177**

(22) Filed: **Jun. 17, 2021**

(51) **LOC (13) Cl.** **13-02**

(52) **U.S. Cl.**
USPC **D13/108**

(58) **Field of Classification Search**
USPC D13/107–108, 110, 118–119, 184, 199;
D14/251, 253, 432, 434, 447
CPC .. H02J 7/025; H02J 7/005; H02J 50/00; H02J
50/10; H02J 50/12; H02J 50/80; H02J
7/02; H02J 7/0026; H02J 7/0042; H02J
7/0044; H02J 7/0045; H02J 7/0013; H02J
7/0003

See application file for complete search history.

(56) **References Cited**

U.S. PATENT DOCUMENTS

D762,650 S *	8/2016	Dang	D14/434
D845,308 S *	4/2019	Ma	D14/447
D857,626 S *	8/2019	Zhang	D13/108
D879,035 S *	3/2020	Li	D13/108
D881,123 S *	4/2020	Zhang	D13/108
D884,622 S *	5/2020	Huang	D13/108
D892,046 S *	8/2020	Peng	D13/108
D904,978 S *	12/2020	Liao	D13/108
D905,042 S *	12/2020	Lim	D14/434
D911,278 S *	2/2021	Shang	D13/108
D915,277 S *	4/2021	Peng	D13/108
D926,683 S *	8/2021	Liao	D14/252
D928,702 S *	8/2021	Liao	D13/108
D931,208 S *	9/2021	Liao	D14/252
D933,005 S *	10/2021	Yarbough	D13/108
D934,794 S *	11/2021	Brisebras	D13/108
D942,389 S *	2/2022	Sun	D14/447

D948,426 S *	4/2022	Liao	D14/252
D952,559 S *	5/2022	Chen	D13/108
D955,331 S *	6/2022	Wang	D13/108
D955,332 S *	6/2022	Wang	D13/108

(Continued)

OTHER PUBLICATIONS

“WATOE Wireless Charger Foldable 3 in 1 Charging Station,Compatible with iPhone 13/12 Pro/SE/11/11 Pro Max/X/XS/XR/Xs Max/8 Plus/Samsung Galaxy, for Apple Watch Series 7/6/SE/5/4/3/2/AirPods Pro/2/3”, Amazon.com, first available on May 31, 2020. Retrieved from the internet: <<https://www.amazon.com/WATOE-Wireless-Qi-Certified-Charging-Compatible/dp/B089G6RM6Z/?th=1>>.*

Primary Examiner — Rosemary K Tarcza

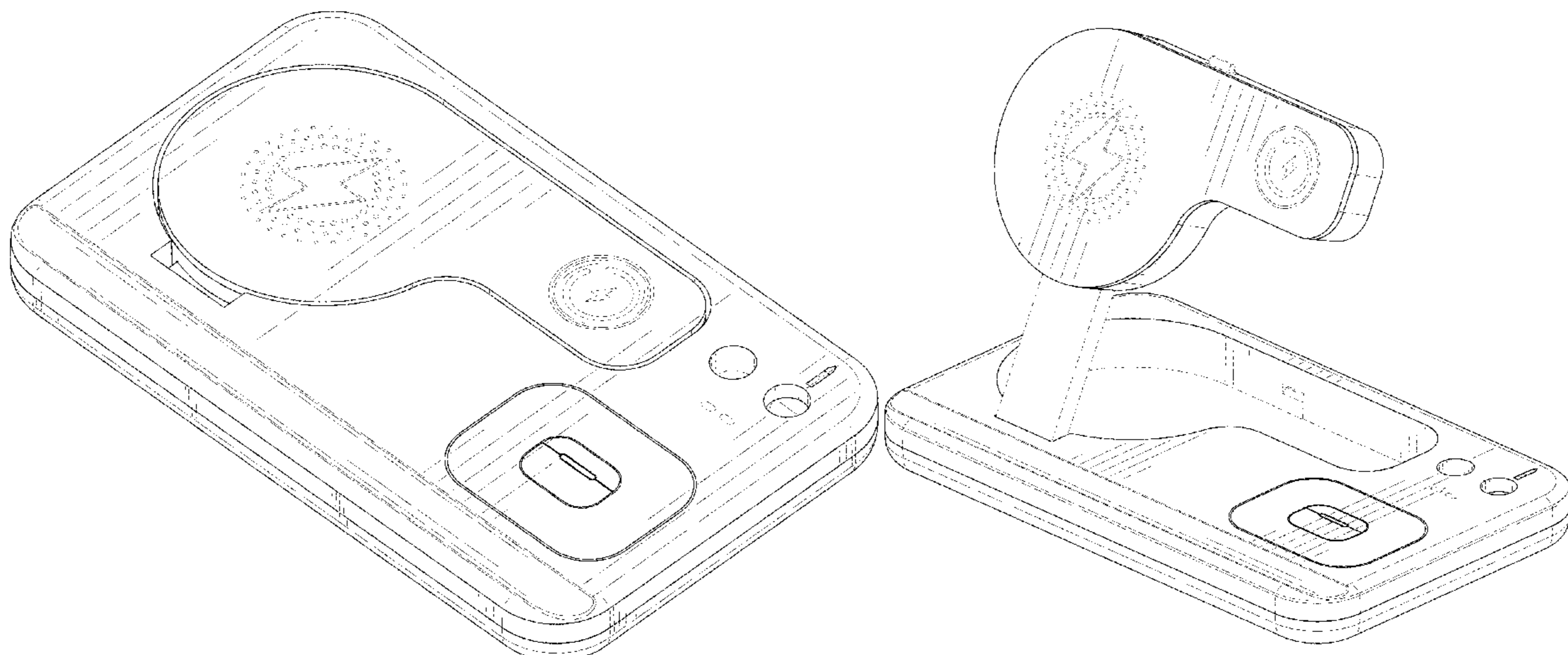
(57) **CLAIM**

The ornamental design for a wireless charger, as shown and described.

DESCRIPTION

FIG. 1 is a front and top perspective view of a wireless charger, showing my new design;
FIG. 2 is a rear and bottom perspective view thereof;
FIG. 3 is a front elevation view thereof;
FIG. 4 is a rear elevation view thereof;
FIG. 5 is a left side elevation view thereof;
FIG. 6 is a right side elevation view thereof;
FIG. 7 is a top plan view thereof; and
FIG. 8 is a bottom plan view thereof.
FIG. 9 is an enlarged view of a portion labeled, ‘FIG. 9’ in FIG. 2; and,
FIG. 10 is another perspective view thereof, shown in an alternative position.
The dash dot dash lines in FIGS. 2 and 9 are for the purpose of depicting the cut line of the enlarged view and form no part of the claim. The broken lines in the figures illustrate portions of the wireless charger that form no part of the claimed design.

1 Claim, 10 Drawing Sheets



(56)

References Cited

U.S. PATENT DOCUMENTS

D957,329 S * 7/2022 Turksu D13/108
D960,095 S * 8/2022 Chen D13/108
2016/0261139 A1* 9/2016 Kidakarn H02J 7/0044

* cited by examiner

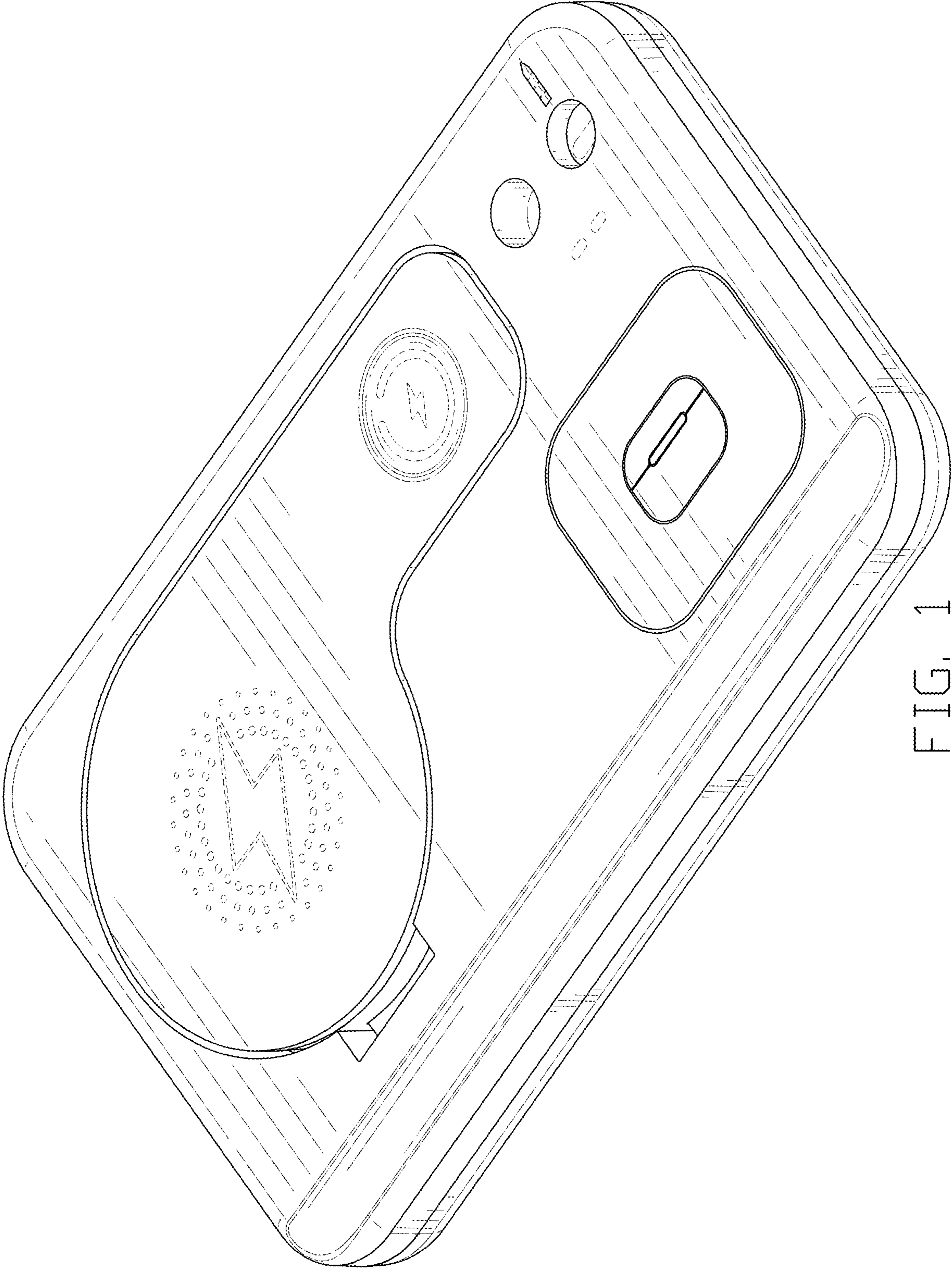


FIG. 1

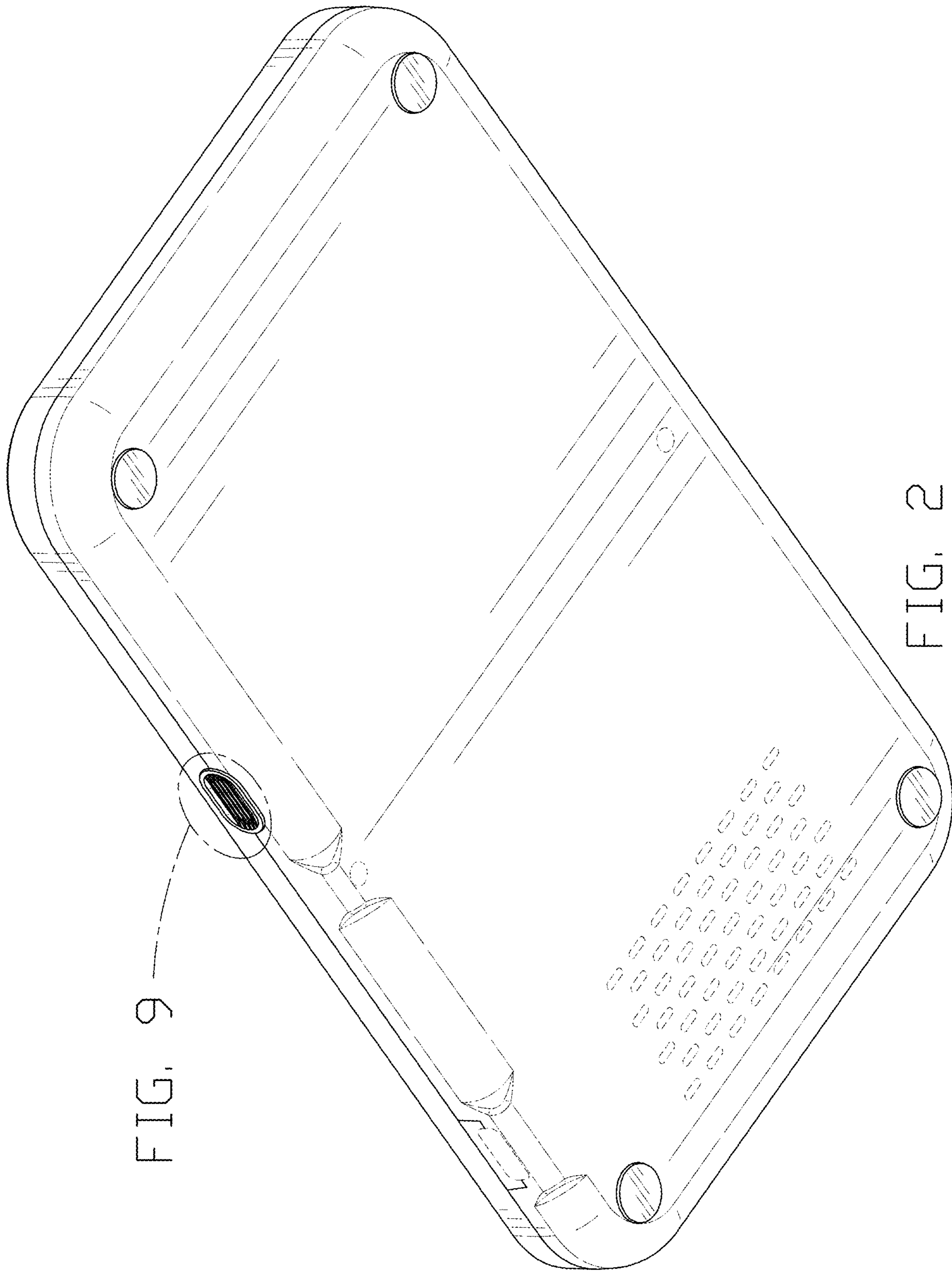


FIG. 9

FIG. 2

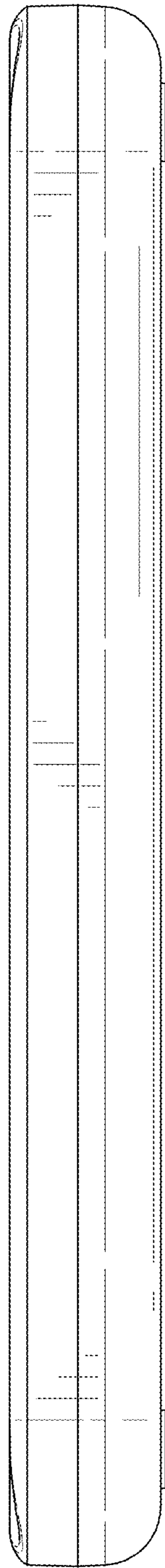


FIG. 3

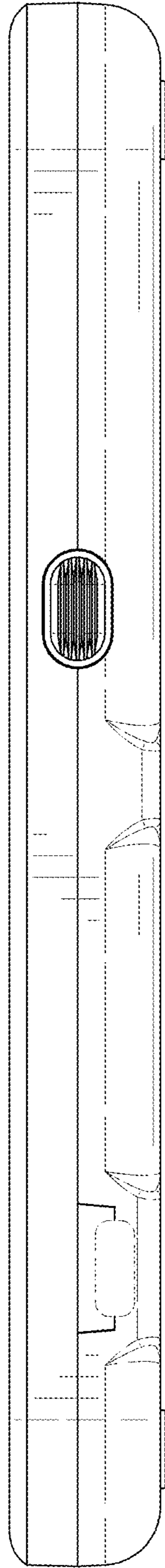


FIG. 4

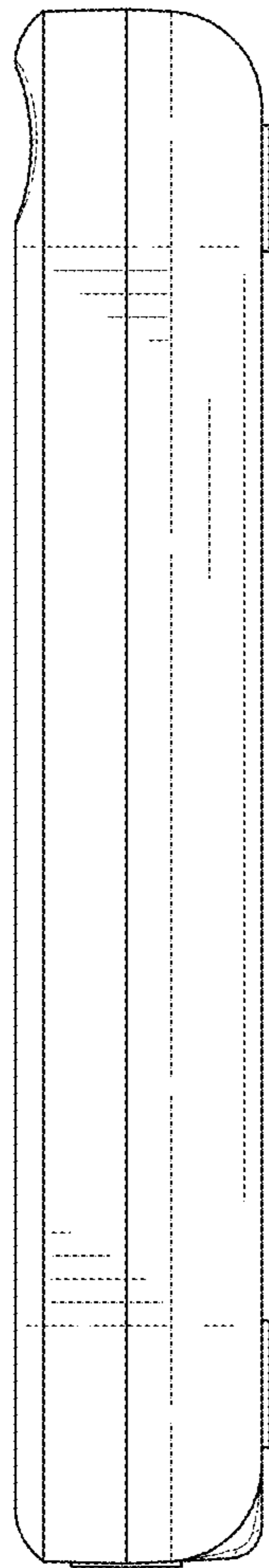


FIG. 5

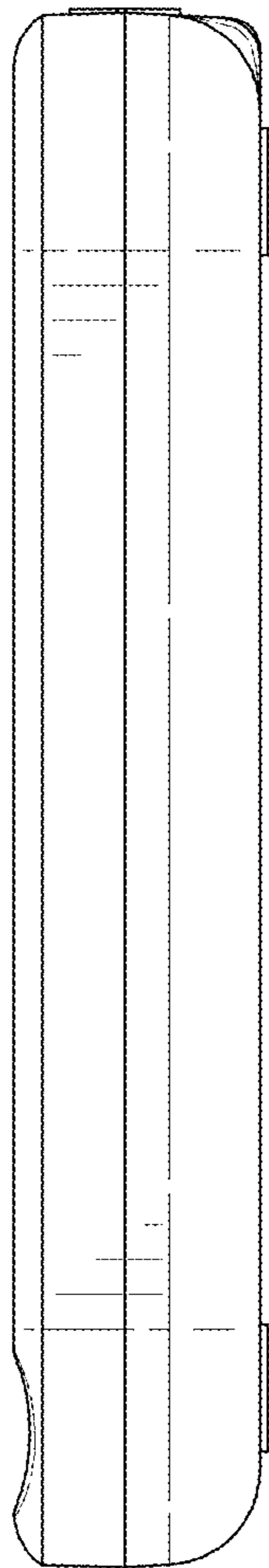


FIG. 6

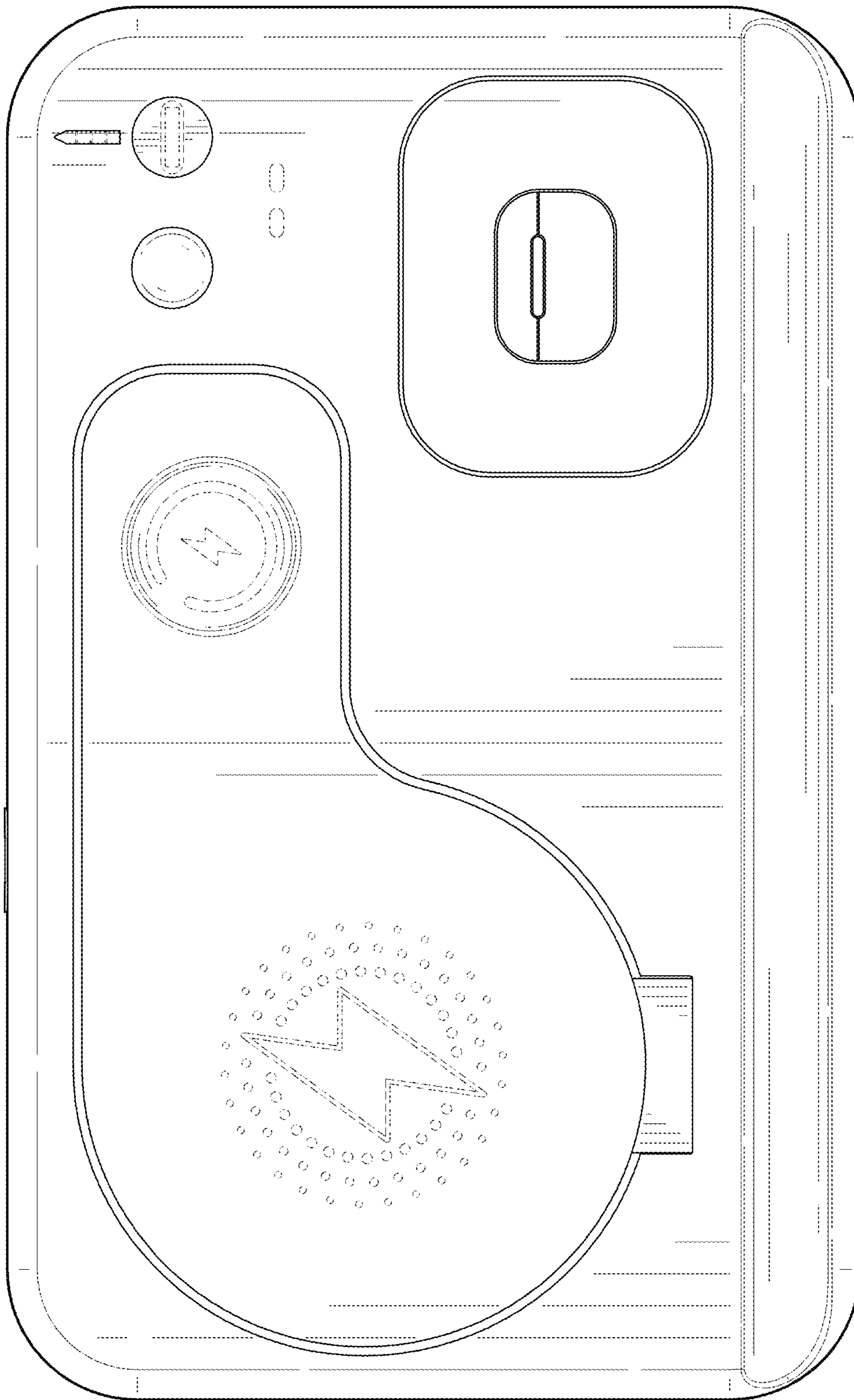


FIG. 7

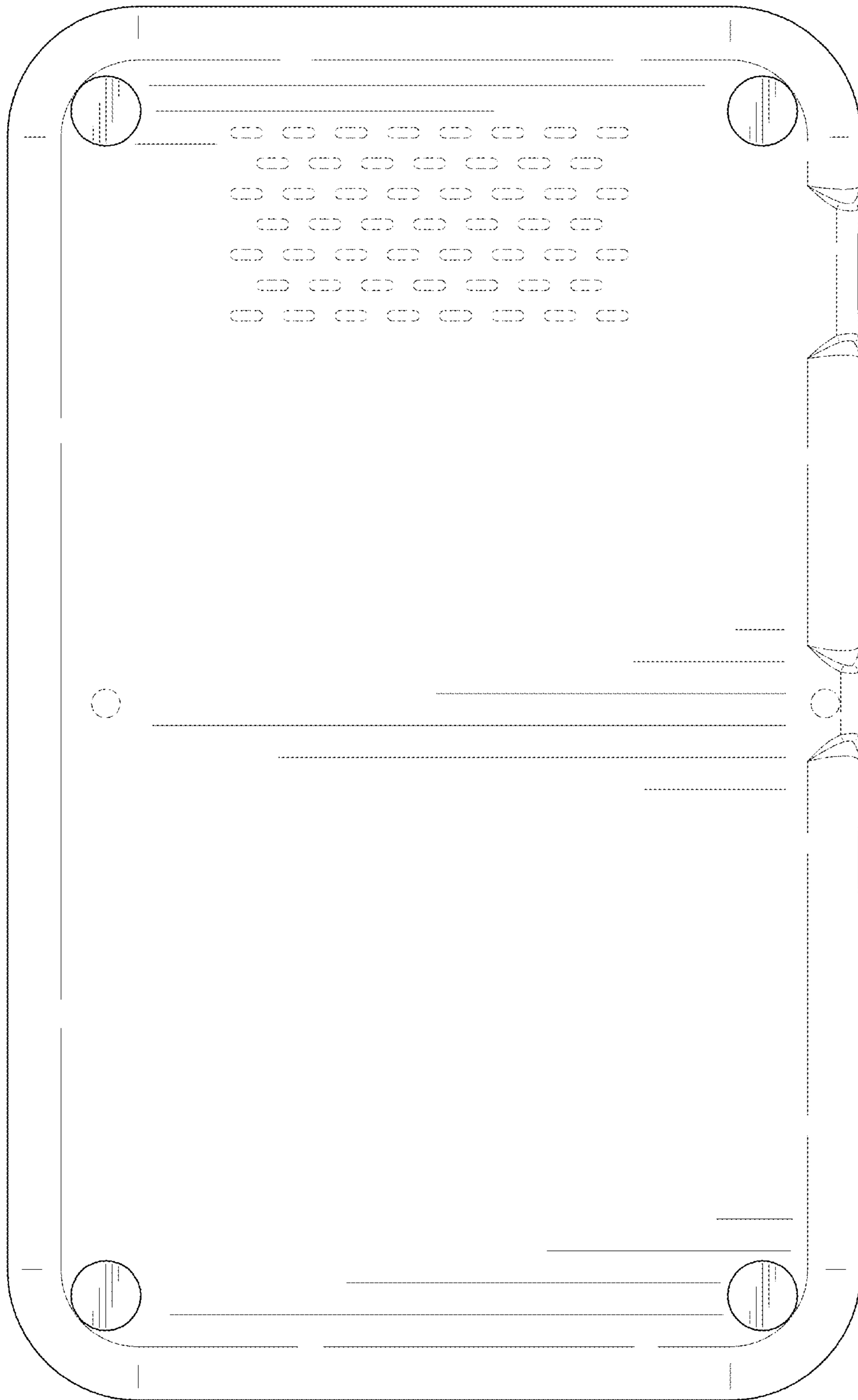


FIG. 8

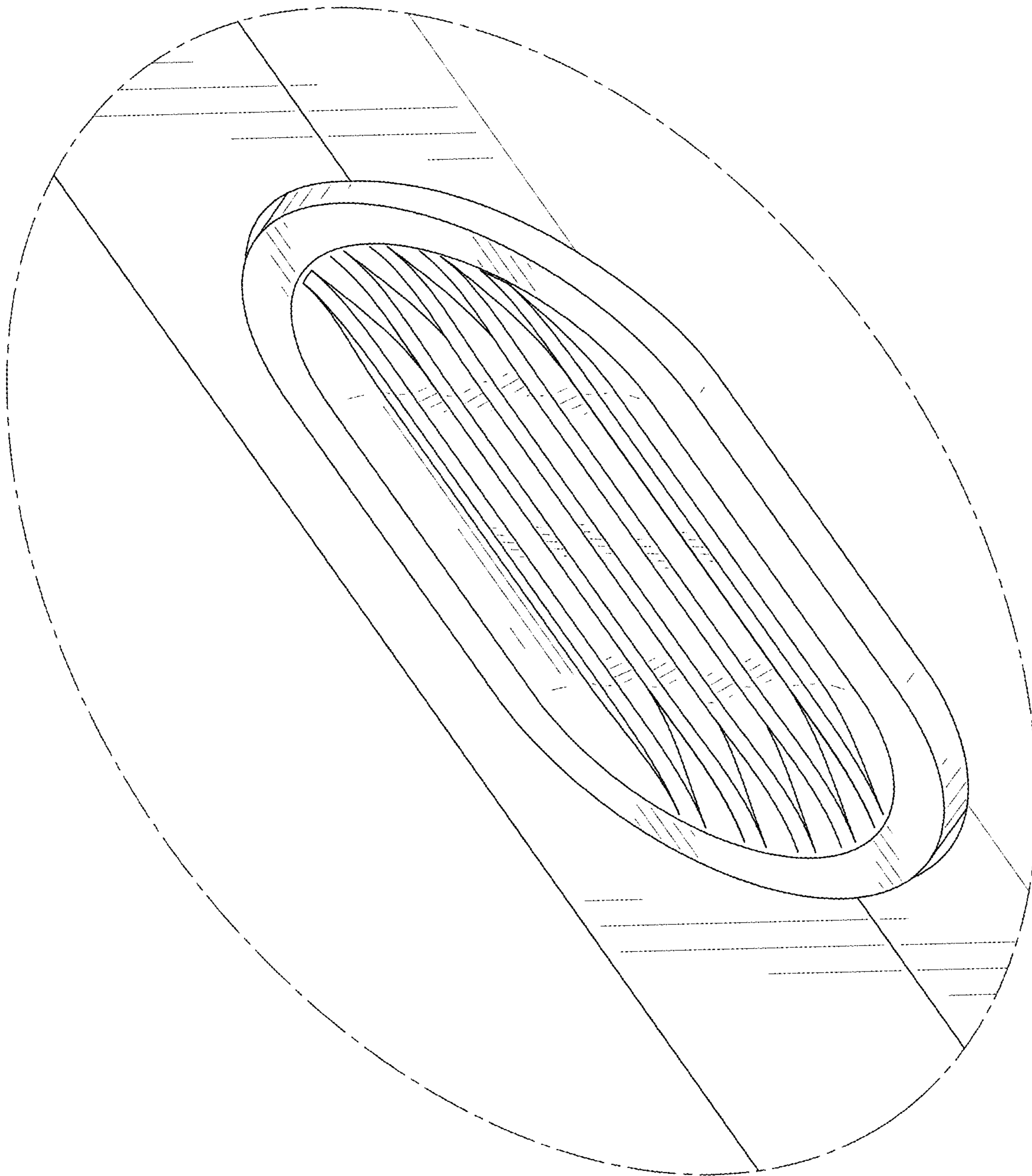


FIG. 9

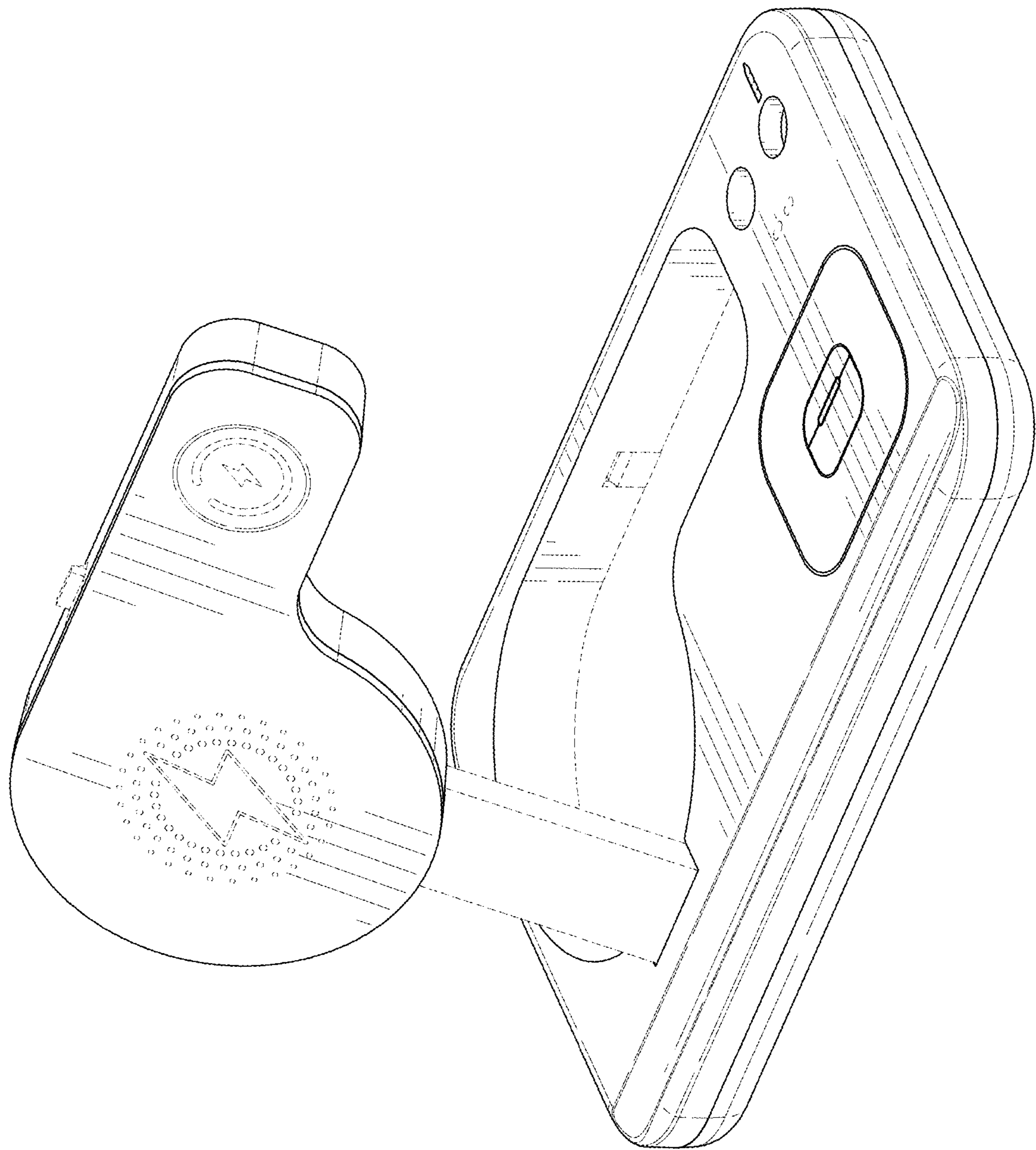


FIG. 10