

US00D971837S

(12) **United States Design Patent** (10) **Patent No.:** **US D971,837 S**
Luo (45) **Date of Patent:** **** Dec. 6, 2022**

(54) **CHARGING STAND FOR HAIR CLIPPER**

(71) Applicant: **Zhikai Luo**, Huizhou (CN)

(72) Inventor: **Zhikai Luo**, Huizhou (CN)

(**) Term: **15 Years**

(21) Appl. No.: **29/787,091**

(22) Filed: **Jun. 4, 2021**

(51) **LOC (13) Cl.** **13-02**

(52) **U.S. Cl.**
USPC **D13/108**

(58) **Field of Classification Search**
USPC D13/103, 107, 108, 118, 119, 183, 184,
D13/199; D3/205; D11/56, 103;
D14/432, 433, 434, 439, 447; D21/483;
D28/47, 54, 73
CPC H04B 1/3877; H02J 7/0027; H02J 15/00
See application file for complete search history.

(56) **References Cited**

U.S. PATENT DOCUMENTS

D321,855 S *	11/1991	Ross, Jr.	D13/107
D621,347 S	8/2010	Aulwes et al.		
D721,034 S *	1/2015	Sul	D13/108
D762,168 S *	7/2016	Sandoval	D13/107
9,623,690 B2 *	4/2017	Lyman	H01R 33/00
D839,184 S *	1/2019	Li	D13/107
D879,753 S *	3/2020	Boggs	D14/230
D913,221 S *	3/2021	Druce	D13/108
D933,287 S *	10/2021	Cheung	D27/162
D945,960 S *	3/2022	Fountain	D13/103
D947,770 S *	4/2022	Zhu	D12/415
2010/0156343 A1 *	6/2010	Jung	H02J 50/10 320/108
2013/0244735 A1 *	9/2013	Bury	H01F 38/14 455/573
2021/0194256 A1 *	6/2021	Carnevali	H04M 1/04

FOREIGN PATENT DOCUMENTS

CN 201830369942.6 * 2/2019

OTHER PUBLICATIONS

“Kaynway Charging Stand”. Found online Apr. 19, 2022 at amazon.com. Reference dated Dec. 14, 2021. Retrieved from https://www.amazon.com/dp/B09KKMKDZM/ref=sspa_dk_detail_2?th=1. (Year: 2021).*

“MojiPower Power Bank”. Found online Apr. 29, 2022 at walmart.com. Reference dated Sep. 23, 2019. Retrieved from https://tineye.com/Search/7b1a84ed0c6d92f30dfb747a44e0589e92b984e1?sort=crawl_date&order=asc&page=1 (Year: 2019).*

“TheraGun G2PRO Professional Massager.” Found online Aug. 11, 2021 at garagegymreviews.com. Reference dated Sep. 10, 2017. Retrieved from https://tineye.com/search/59601b88736b0e33cbcc54463599c128e12a97b3?sort=crawl_date&order=asc&page=1. (Year: 2017).*

* cited by examiner

Primary Examiner — Kendra Leslie Hamilton
Assistant Examiner — Amanda Christensen

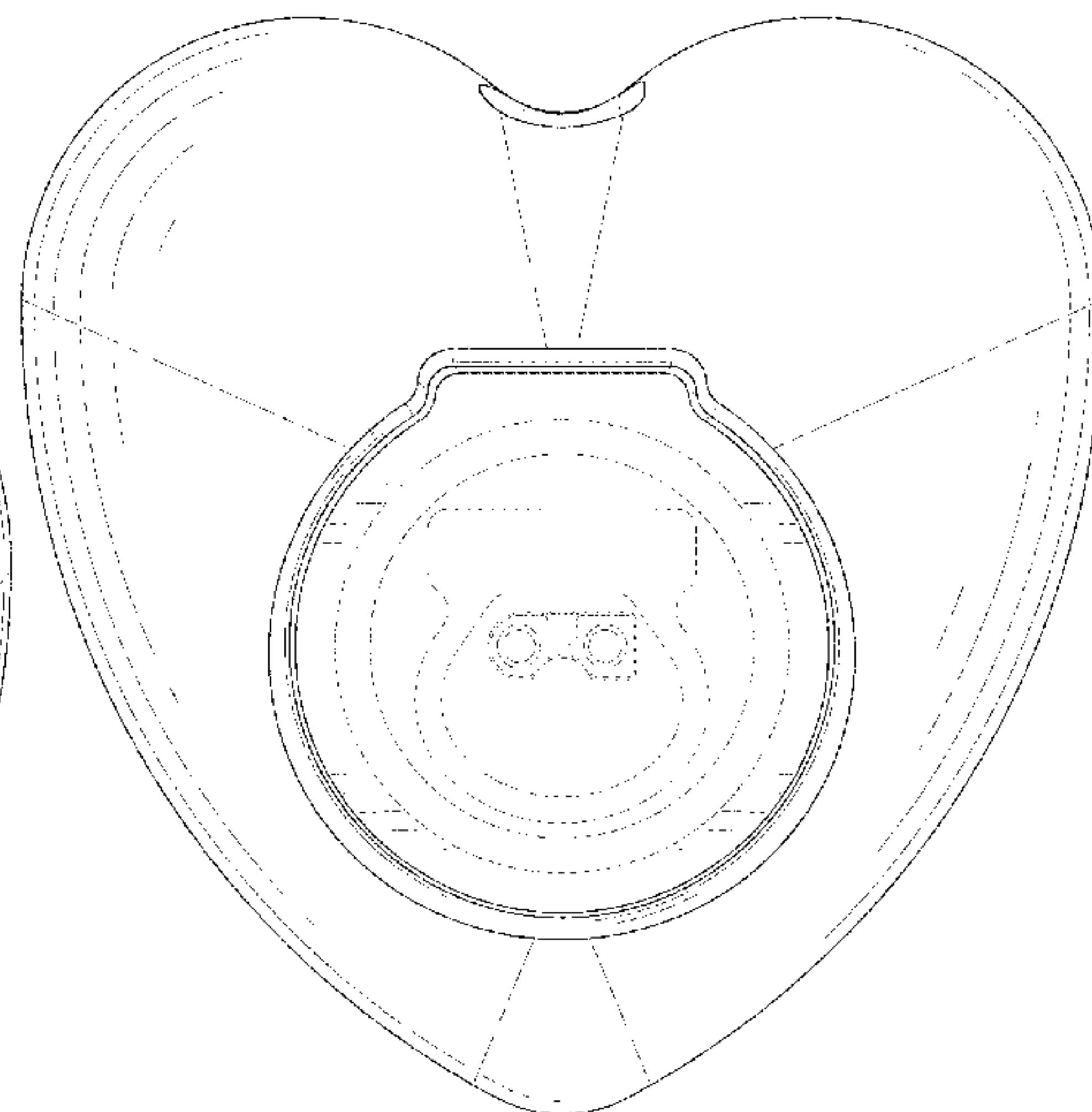
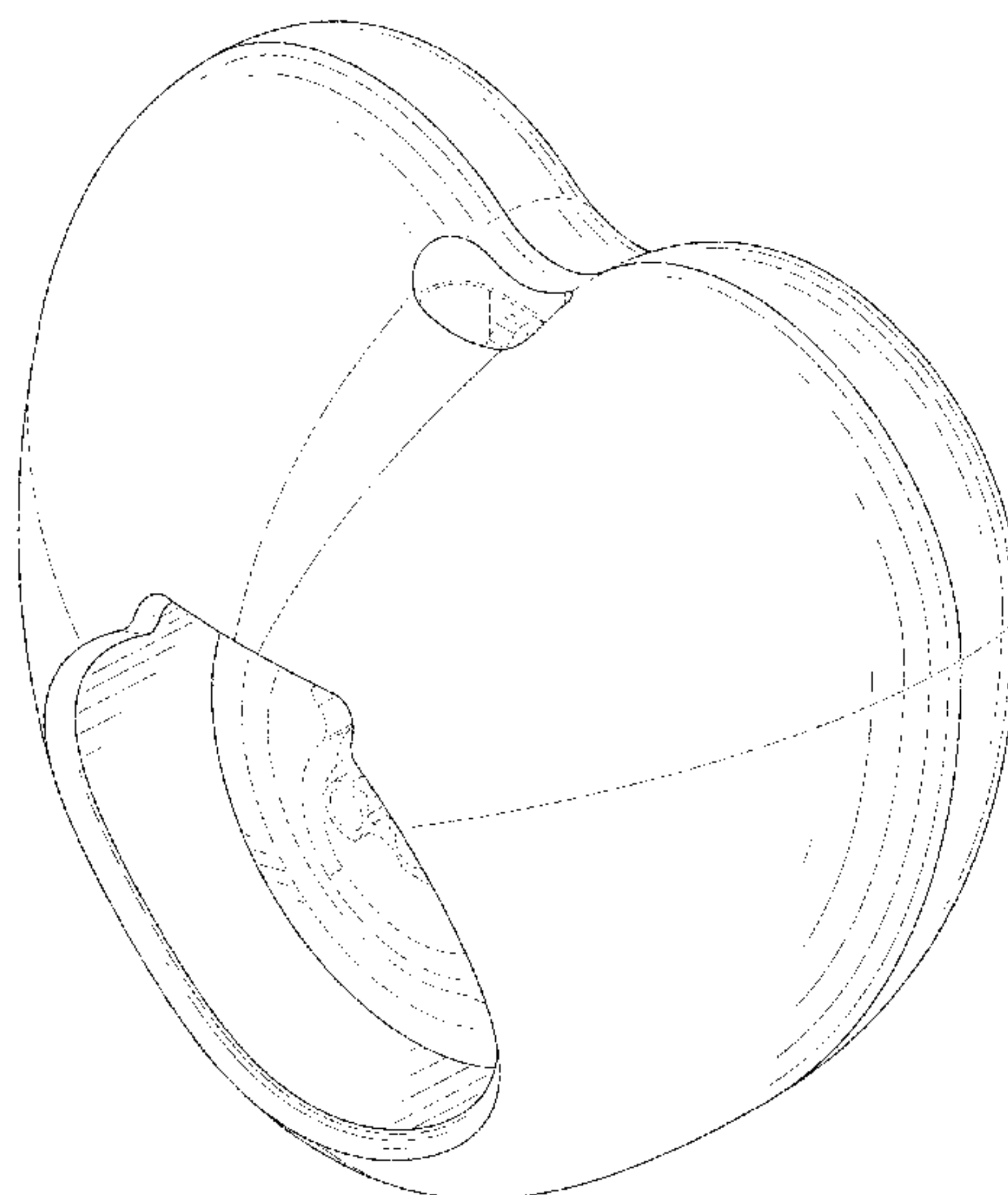
(57) **CLAIM**

The ornamental design for a charging stand for hair clipper, as shown and described.

DESCRIPTION

FIG. 1 is a front and top perspective view of a charging stand for hair clipper, showing my new design; FIG. 2 is a rear and bottom perspective view thereof; FIG. 3 is a front elevation view thereof; FIG. 4 is a rear elevation view thereof; FIG. 5 is a left side elevation view thereof; FIG. 6 is a right side elevation view thereof; FIG. 7 is a top plan view thereof; and, FIG. 8 is a bottom plan view thereof. The broken lines in the figures illustrate portions of the charging stand for hair clipper that form no part of the claimed design.

1 Claim, 8 Drawing Sheets



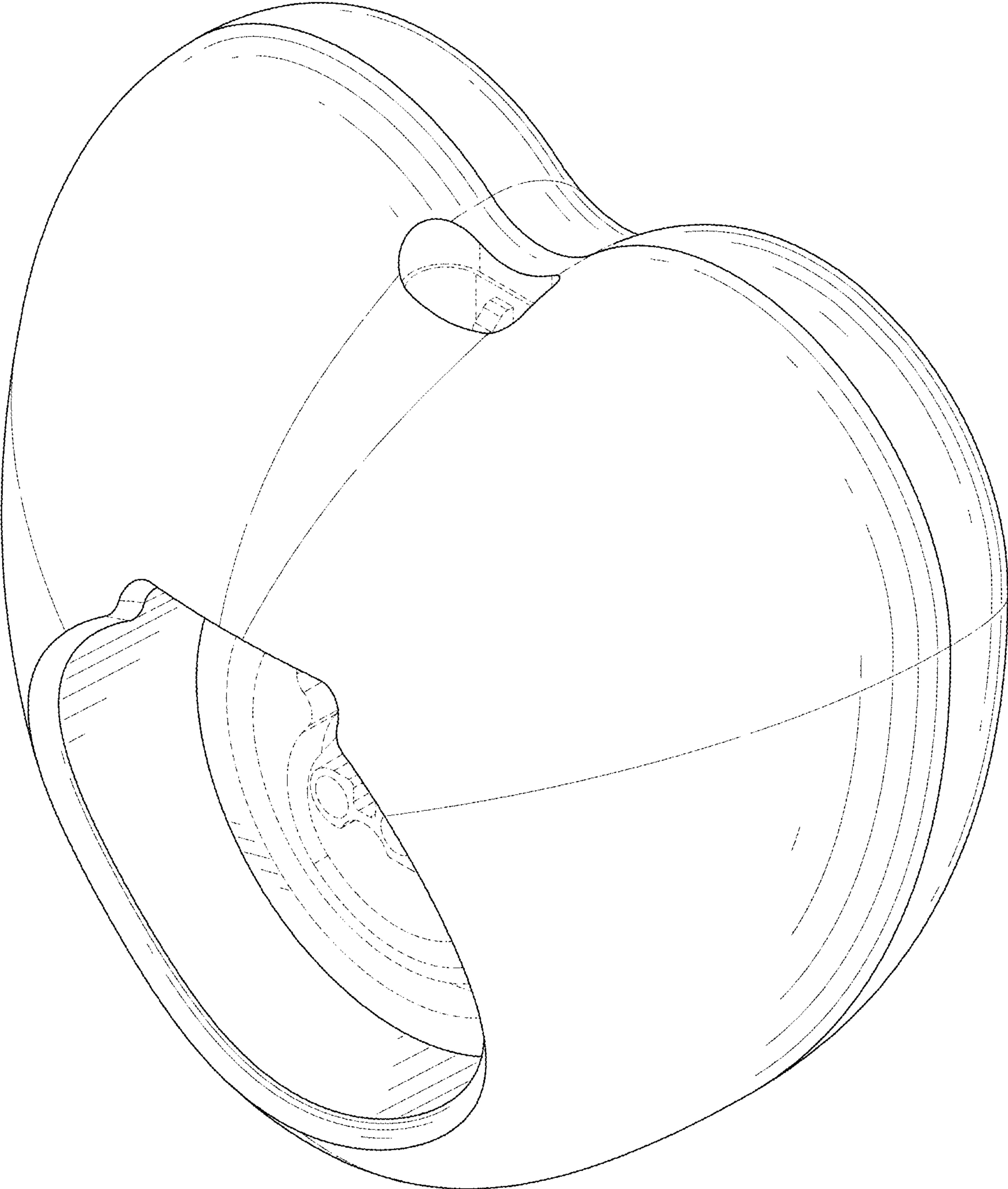


FIG. 1

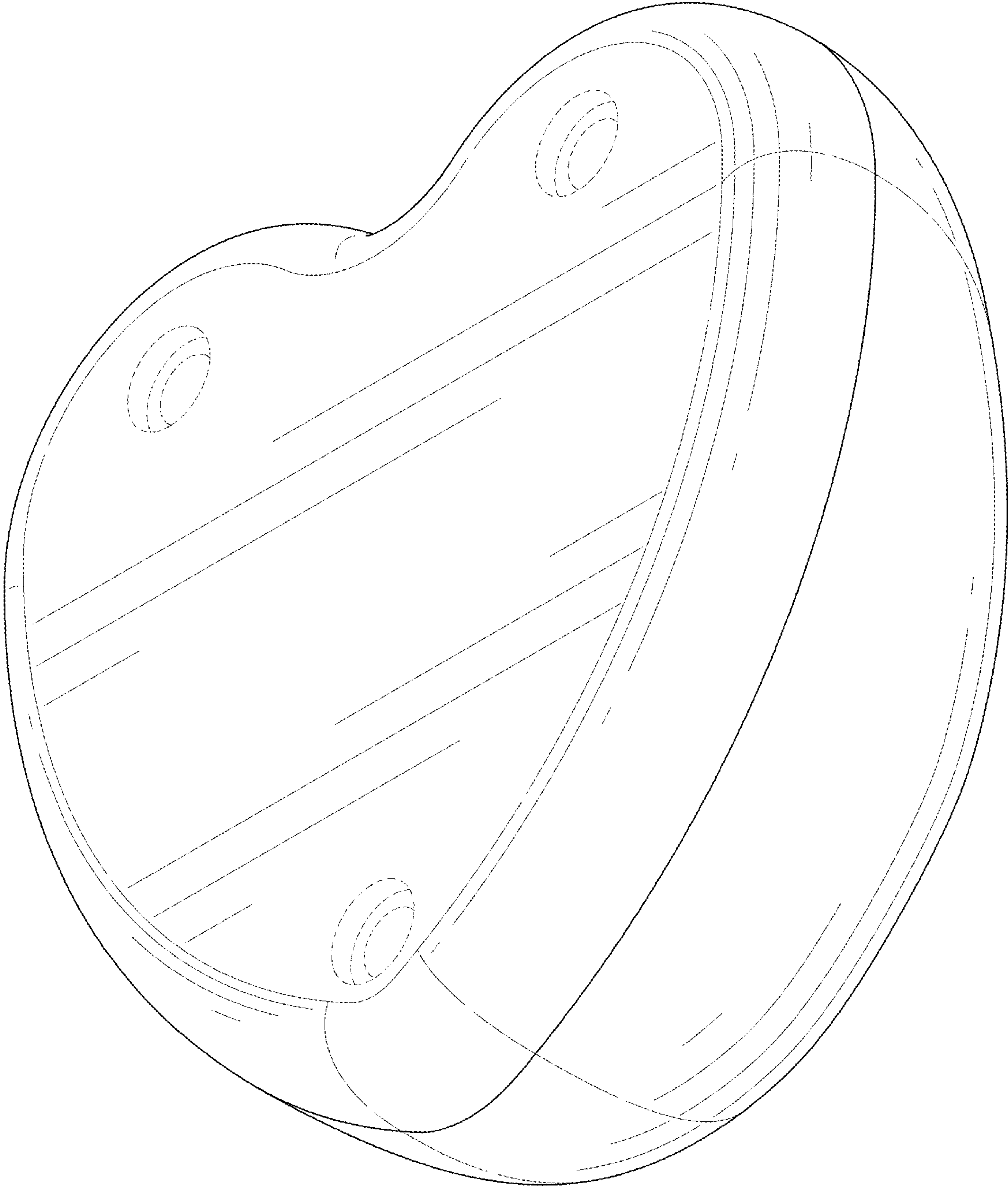


FIG. 2

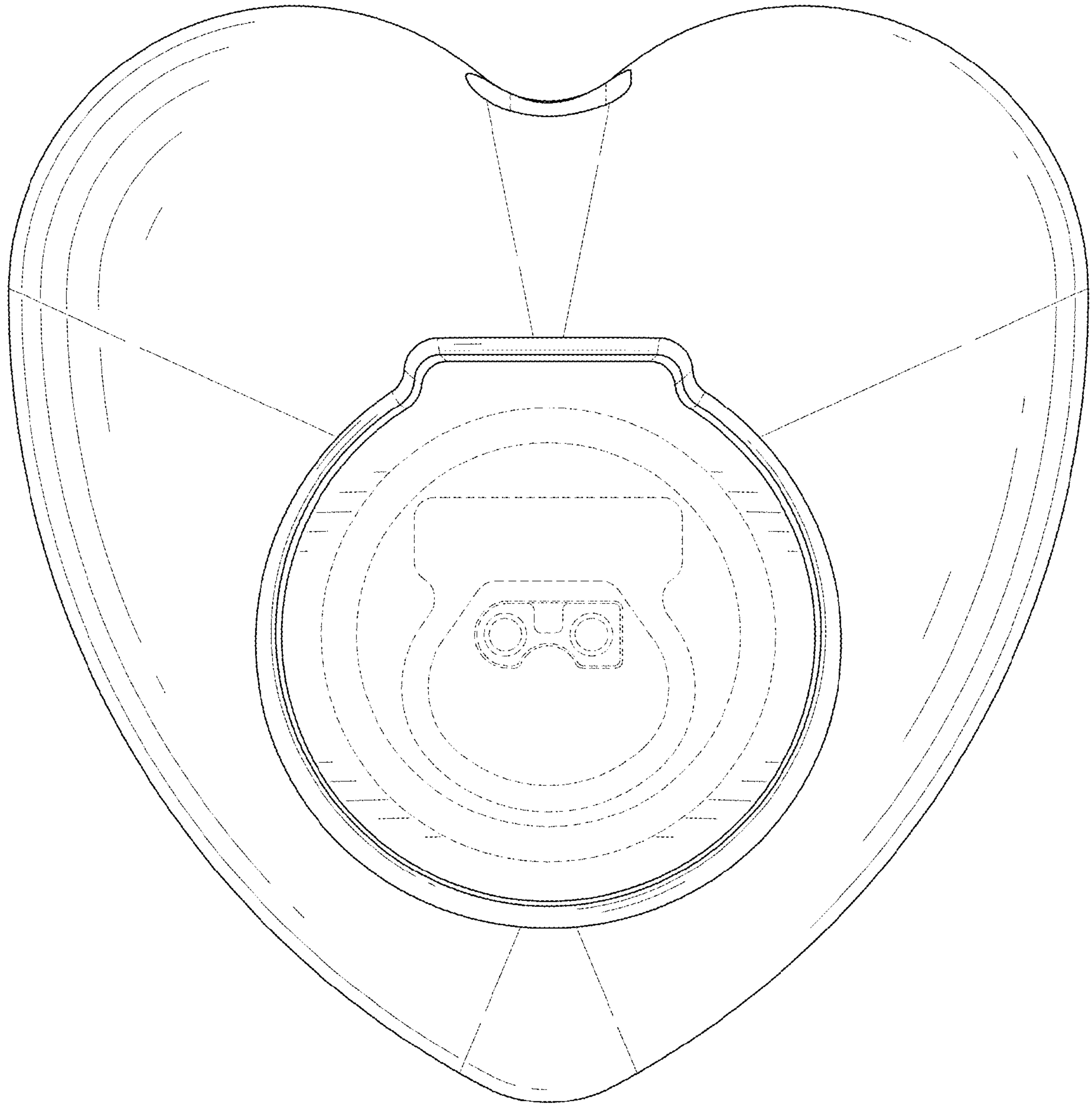


FIG. 3

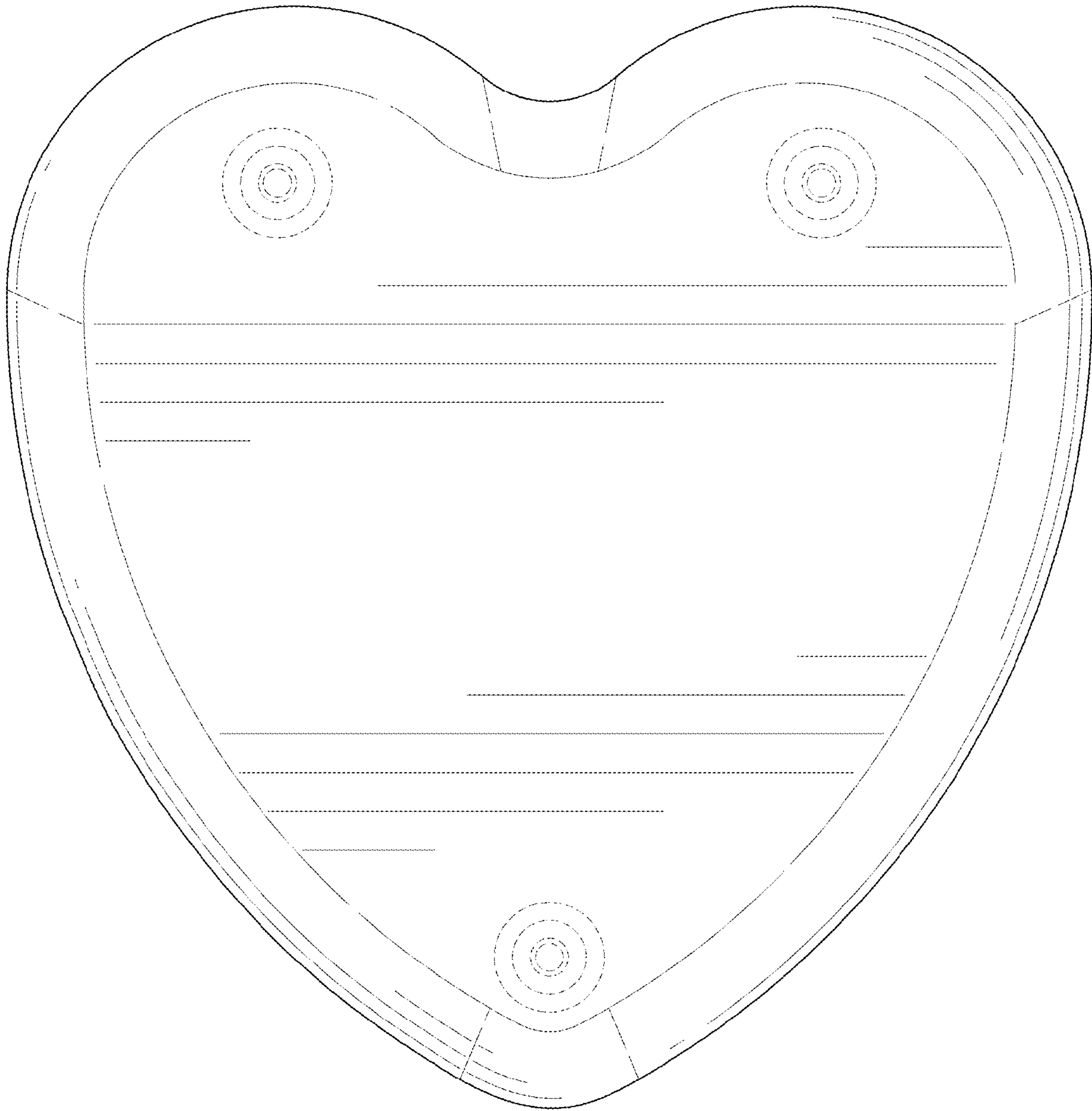


FIG. 4

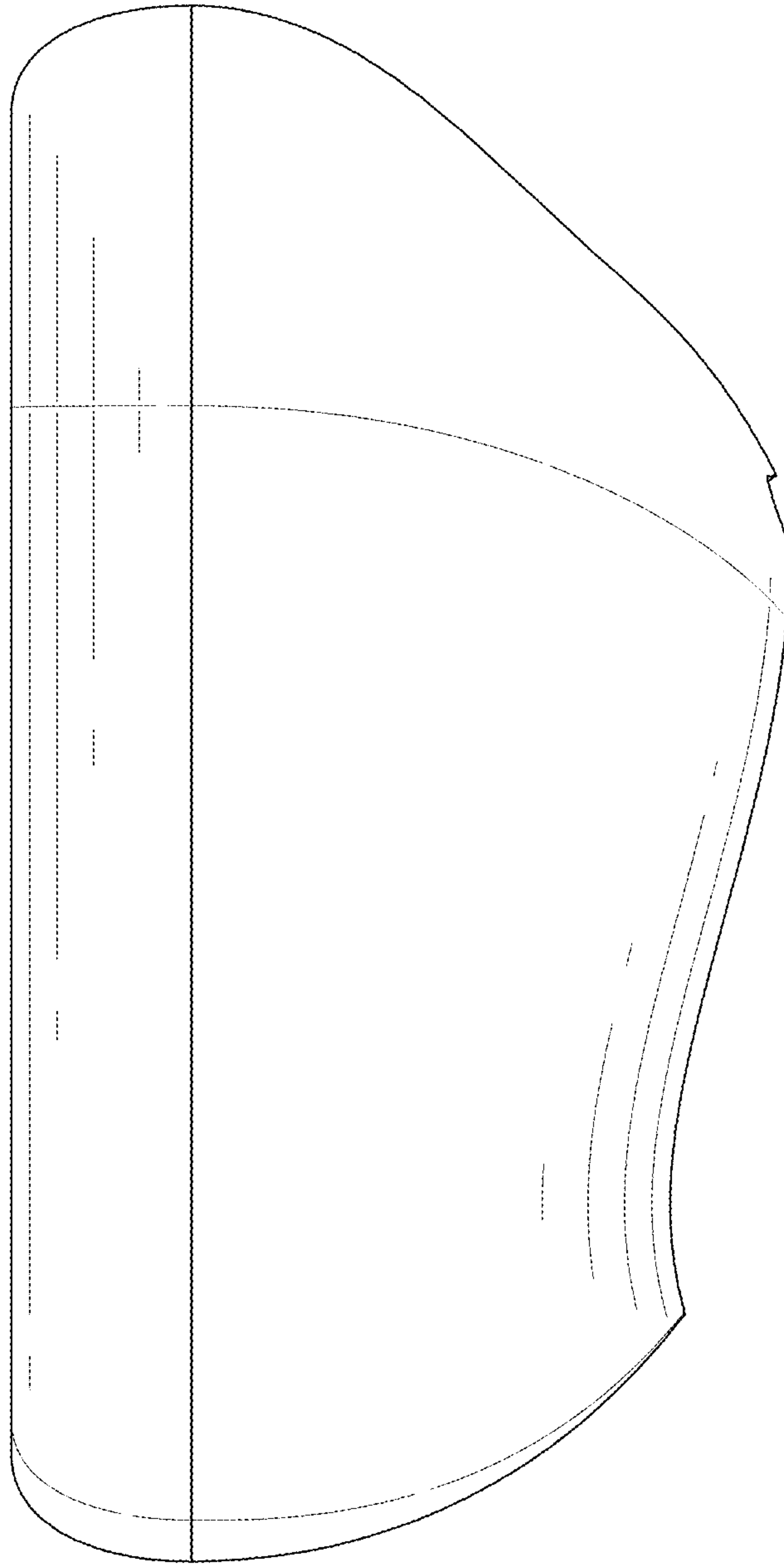


FIG. 5

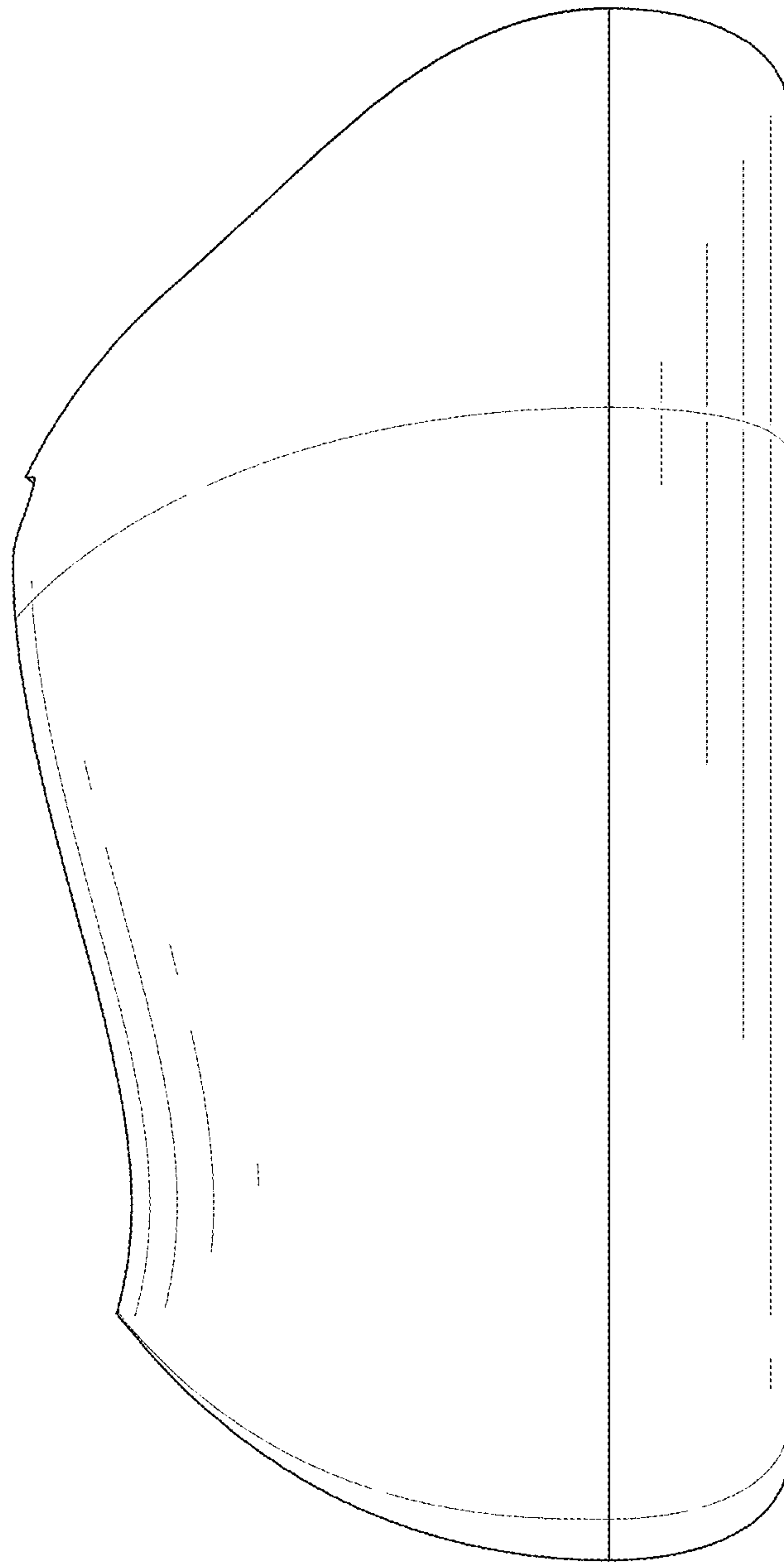


FIG. 6

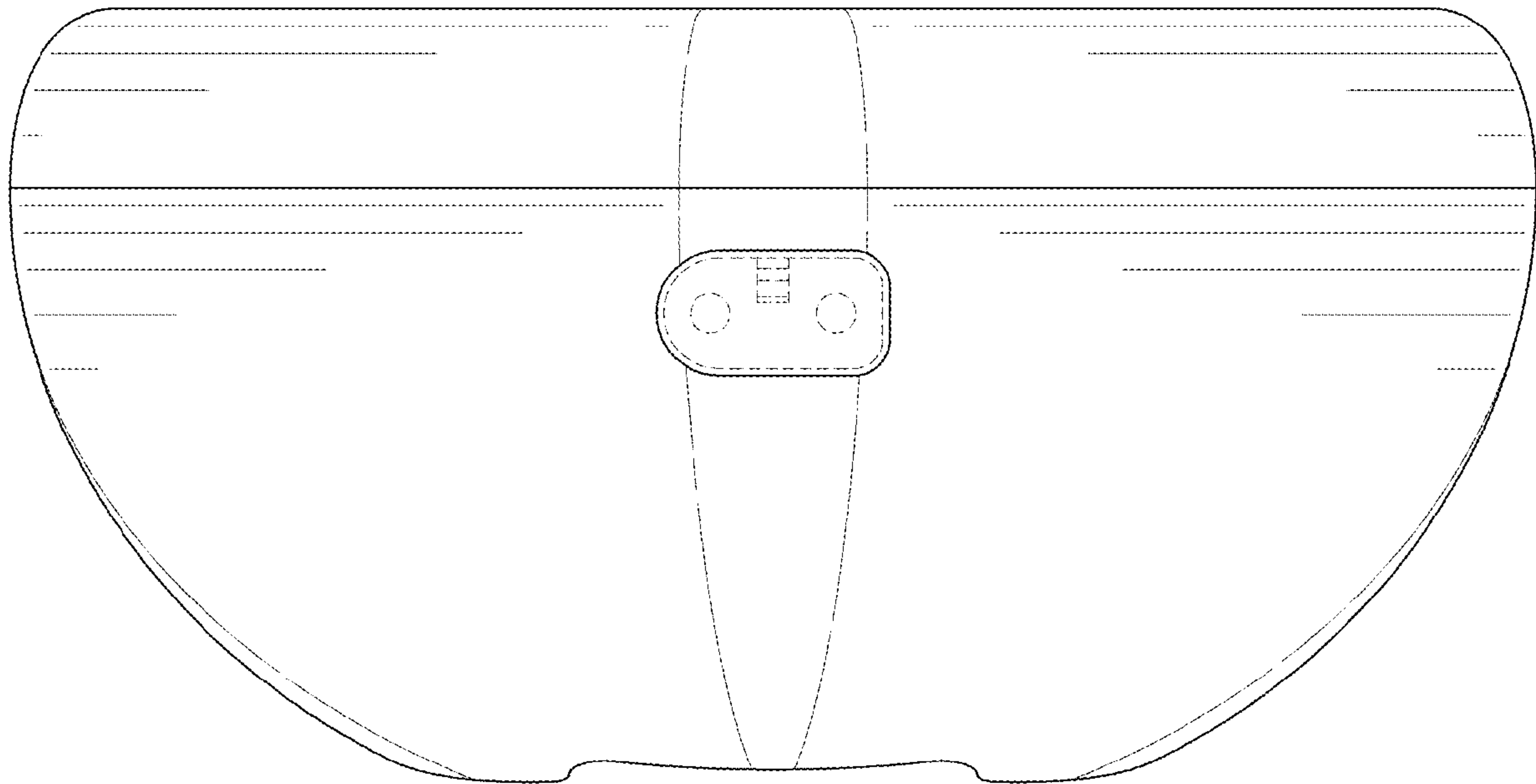


FIG. 7

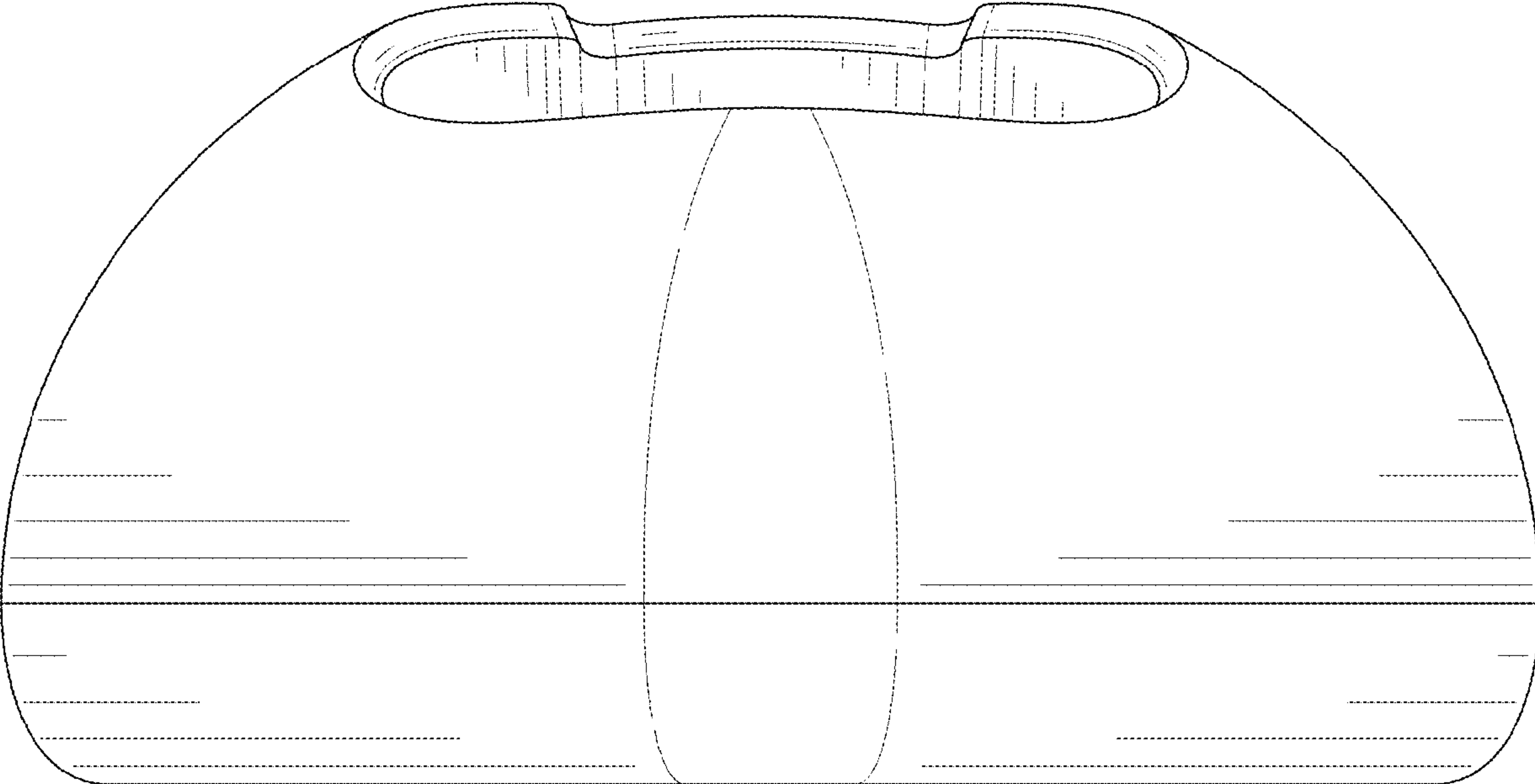


FIG. 8