



US00D971836S

(12) **United States Design Patent** (10) **Patent No.:** **US D971,836 S**
Xian (45) **Date of Patent:** **** Dec. 6, 2022**

(54) **BATTERY CHARGER**
(71) Applicant: **Huizhang Xian**, Wanyuan (CN)
(72) Inventor: **Huizhang Xian**, Wanyuan (CN)
(**) Term: **15 Years**

D899,359 S * 10/2020 Zhang D13/108
D900,027 S * 10/2020 Reilly D13/108
D900,735 S * 11/2020 He D13/108
D901,379 S * 11/2020 Choi D13/108

(Continued)

(21) Appl. No.: **29/773,288**
(22) Filed: **Mar. 9, 2021**

FOREIGN PATENT DOCUMENTS

CN 307360052 * 5/2022
GB 6144355 * 6/2021

(30) **Foreign Application Priority Data**

Oct. 15, 2020 (CN) 202030614642.7

(51) **LOC (13) Cl.** **13-02**

(52) **U.S. Cl.**
USPC **D13/108**

(58) **Field of Classification Search**
USPC D13/103, 107, 108, 110, 123, 133, 135,
D13/184; D14/434, 433, 435, 435.1, 356,
D14/357, 358, 440, 447, 251, 252, 253,
D14/432, 451, 452; D21/333
CPC H01R 31/06; H01R 31/065; H01R 27/00;
H01R 13/512; H01R 13/62; H01R 5/04
See application file for complete search history.

OTHER PUBLICATIONS

Forocoches, announced on May 6, 2022 [online], retrieved on Jul. 8, 2022, retrieved from internet, <https://www.amazon.com/Smart-Charger-Charging-Compatible-iPhone/dp/B09ZPCBRR9> (Year: 2022).*

(Continued)

Primary Examiner — Messina L Smith
Assistant Examiner — Noah Perez
(74) *Attorney, Agent, or Firm* — Runit R. Kanakia

(57) **CLAIM**

The ornamental design for a battery charger, as shown and described.

DESCRIPTION

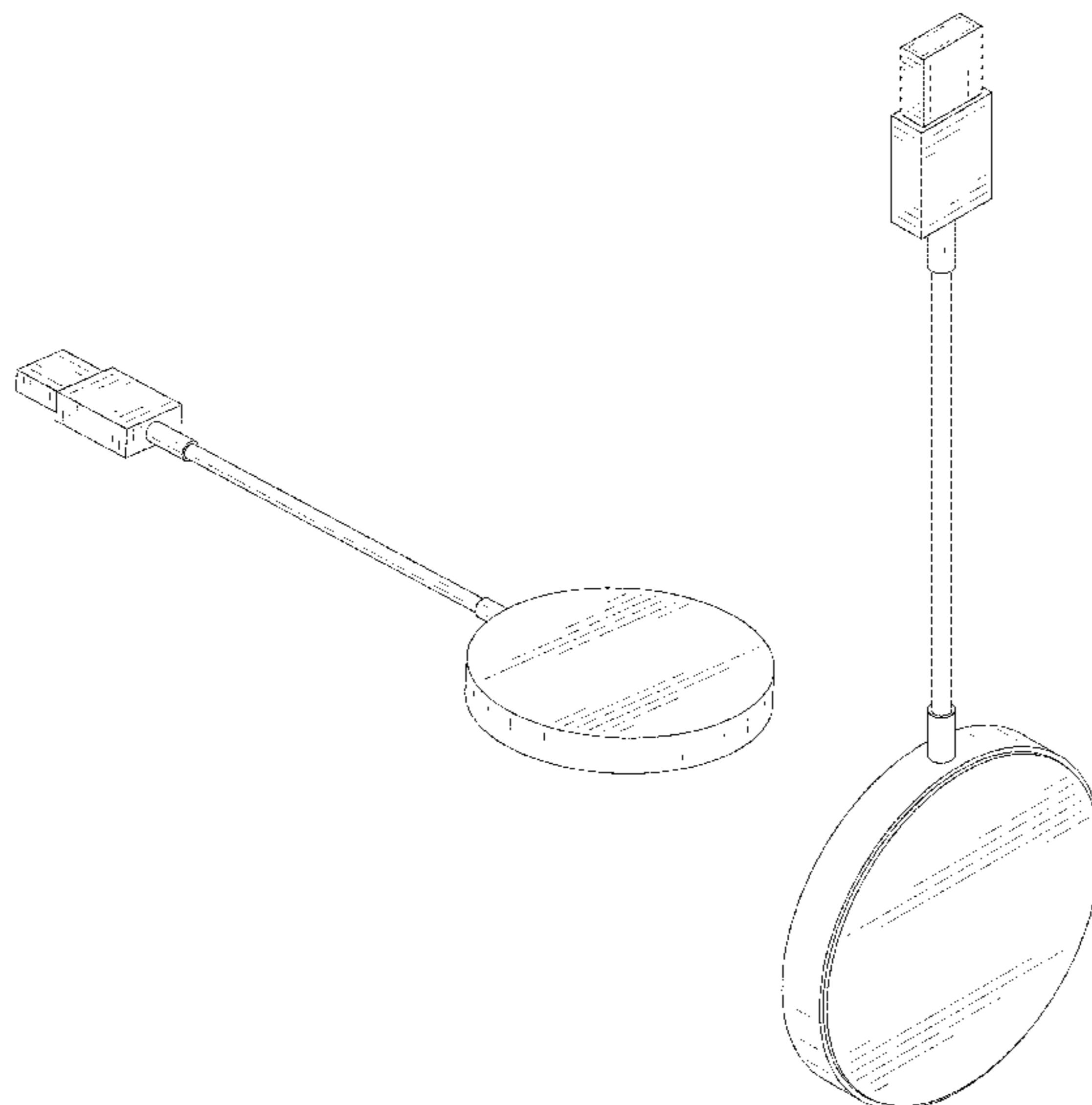
FIG. 1 is a first perspective view of a battery charger showing my new design;
FIG. 2 is a second perspective view thereof;
FIG. 3 is a front view thereof;
FIG. 4 is a back view thereof;
FIG. 5 is a left side view thereof;
FIG. 6 is a right side view thereof;
FIG. 7 is a top view thereof; and,
FIG. 8 is a bottom view thereof.
The broken lines shown in the drawings depict portions of the battery charger in which the design is embodied that form no part of the claimed design.

(56) **References Cited**

U.S. PATENT DOCUMENTS

D673,110 S * 12/2012 Sasada D13/108
D718,234 S * 11/2014 Rautiainen D13/108
D718,236 S * 11/2014 Murray D13/108
D725,034 S * 3/2015 Chen D13/108
D727,260 S * 4/2015 Aumiller D13/108
D735,131 S * 7/2015 Akana D13/108
D741,256 S * 10/2015 Murphy-Reinhertz D13/108
D747,267 S * 1/2016 Aumiller D13/108
D798,807 S * 10/2017 Shi D13/108
D850,367 S * 6/2019 Xiong D14/434
D850,372 S * 6/2019 Kong D13/108
D855,567 S * 8/2019 Cai D13/108
D875,678 S * 2/2020 Kim D13/108
D884,616 S * 5/2020 Li D13/108

1 Claim, 8 Drawing Sheets



(56)

References Cited

U.S. PATENT DOCUMENTS

D908,620	S	*	1/2021	Akana	D13/108
D911,276	S	*	2/2021	Li	D13/108
D935,402	S	*	11/2021	Qiu	D13/108
D937,205	S	*	11/2021	Okai	D13/108
D937,248	S	*	11/2021	Liu	D14/240
D937,765	S	*	12/2021	Akana	D13/107
D942,379	S	*	2/2022	Lieblein	D13/108
D943,524	S	*	2/2022	Zheng	D13/108
D945,364	S	*	3/2022	Chang	D13/108
D946,052	S	*	3/2022	Olsson	D14/496
D948,427	S	*	4/2022	Lin	D13/108
D950,563	S	*	5/2022	Zhang	D14/434
D952,629	S	*	5/2022	Reichert	D14/356

OTHER PUBLICATIONS

Shenzhen Yinai, announced on Mar. 1, 2022 [online], retrieved on Jul. 8, 2022, retrieved from internet, https://www.amazon.com/dp/B09R47V7B4/ref=sspa_dk_detail_5?psc=1&pd_rd_i=B09R47V7B4 (Year: 2022).*

RuenTech, announced on Oct. 10, 2019 [online], retrieved on Jul. 8, 2022, retrieved from internet, <https://www.amazon.com/RuenTech-Charger-Compatible-Smartwatch-Magnetic/dp/B07YY89M85?th=1> (Year: 2019).*

* cited by examiner

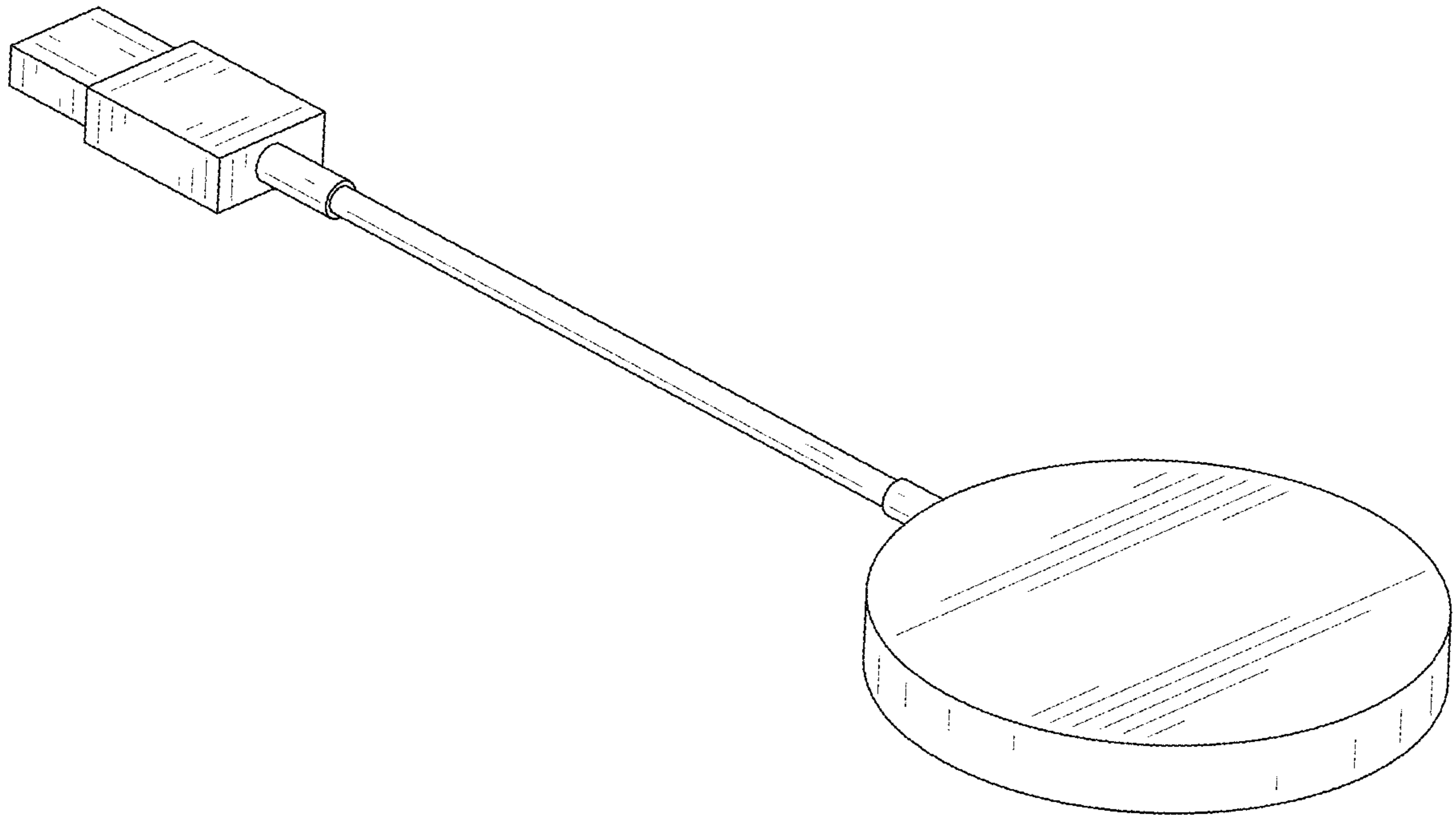


FIG. 1

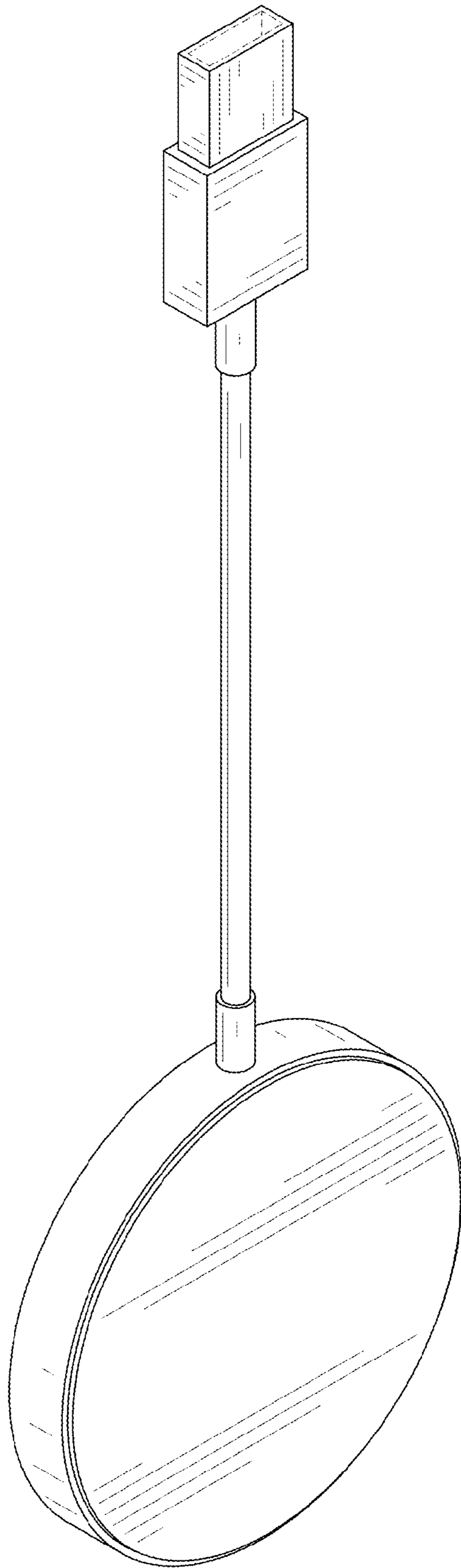


FIG. 2

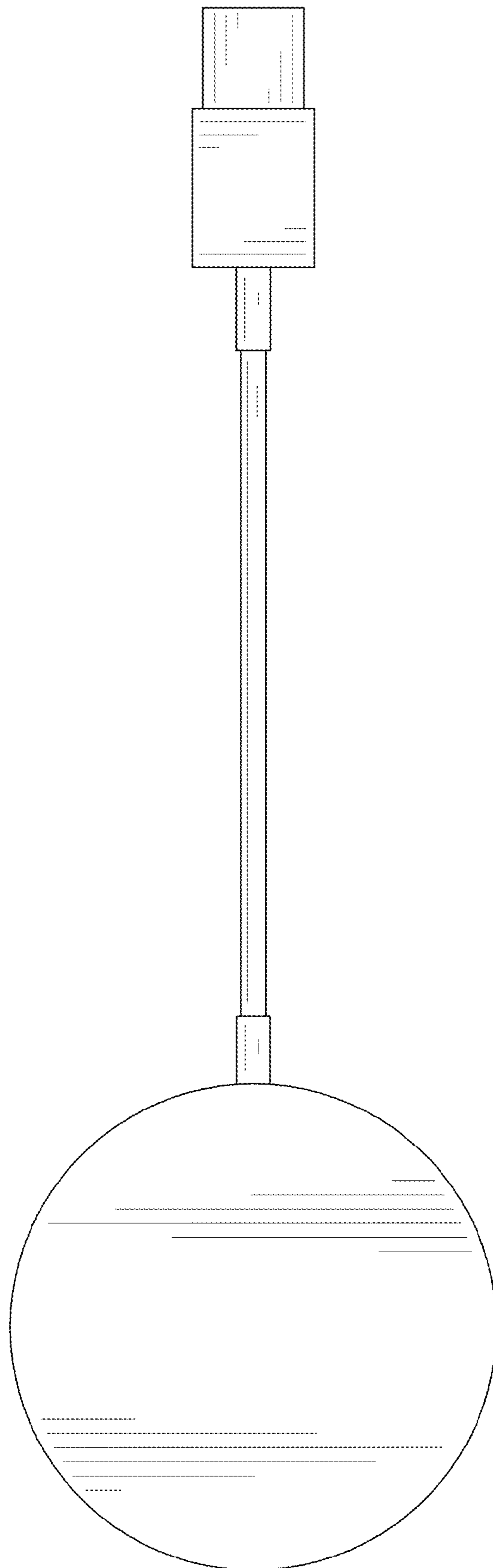


FIG. 3

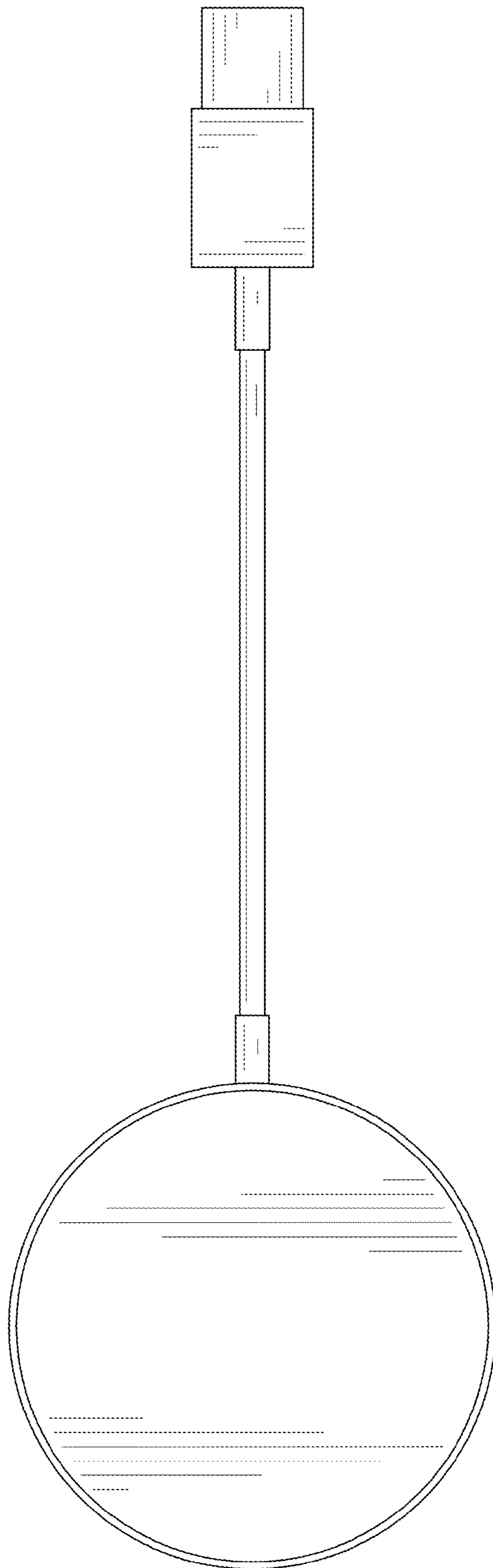


FIG. 4

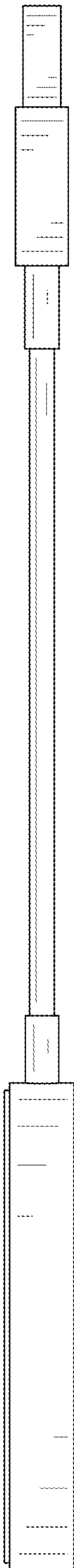


FIG. 5

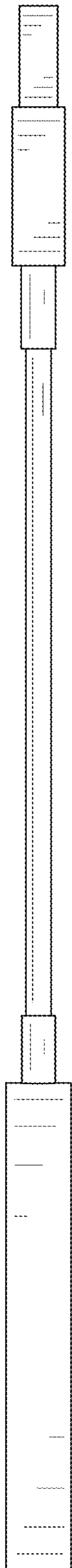


FIG. 6

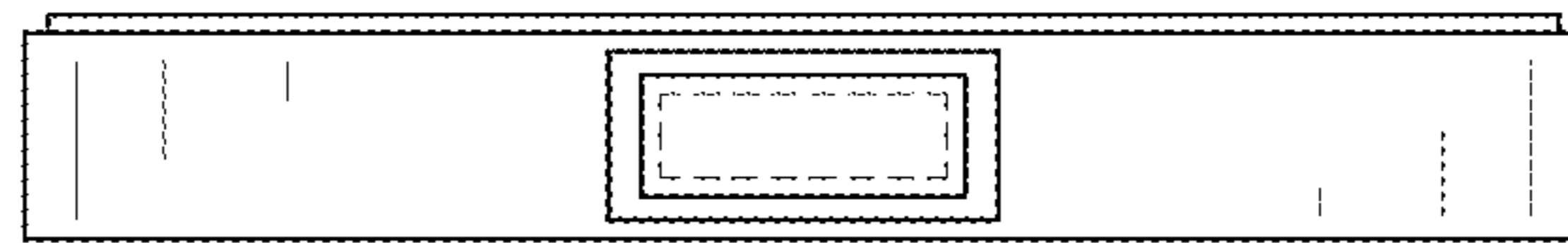


FIG. 7



FIG. 8