



US00D971834S

(12) **United States Design Patent**  
**Fang**

(10) **Patent No.:** **US D971,834 S**

(45) **Date of Patent:** **\*\* Dec. 6, 2022**

- (54) **PORTABLE POWER STATION**
- (71) Applicant: **ShenZhen Intelligent Energy Co., Ltd, Shenzhen (CN)**
- (72) Inventor: **Huayan Fang, Shenzhen (CN)**
- (73) Assignee: **ShenZhen Intelligent Energy Co., Ltd, ShenZhen (CN)**
- (\*\*) Term: **15 Years**
- (21) Appl. No.: **29/760,794**
- (22) Filed: **Dec. 3, 2020**
- (51) **LOC (13) Cl.** ..... **13-02**
- (52) **U.S. Cl.**  
USPC ..... **D13/108**
- (58) **Field of Classification Search**  
USPC ..... D13/107-110, 118, 119, 184, 199;  
D14/251, 253, 432, 434, 447  
CPC ..... Y02E 60/12; H02J 7/025; H02J 7/0042;  
H02J 7/0044; H02J 7/0045; H02J 7/0003;  
H02J 7/0027; H02J 7/0013; H02J 7/0054;  
H02J 7/00; H02J 2001/008; H02J 3/32;  
H02J 3/008; H01F 38/14; H01R 13/6675;  
H01M 2/1022; H01M 2/1055; H01M  
10/44; H01M 10/46; H01M 10/425; B60L  
11/182; B60L 11/1809; B60L 11/1861;  
B60R 16/03  
See application file for complete search history.

(56) **References Cited**

**U.S. PATENT DOCUMENTS**

D837,149 S	*	1/2019	Yin	.....	D13/103
D874,395 S	*	2/2020	Sun	.....	D13/106
D874,397 S	*	2/2020	Sun	.....	D13/107
D874,398 S	*	2/2020	Sun	.....	D13/107
D883,206 S	*	5/2020	Bai	.....	D13/110
D897,283 S	*	9/2020	Sun	.....	D13/103

D897,284 S	*	9/2020	Sun	.....	D13/103
D902,857 S	*	11/2020	Jia	.....	D13/110
D911,273 S	*	2/2021	Sun	.....	D13/103
D911,935 S	*	3/2021	Alexander	.....	D13/107
D911,953 S	*	3/2021	Yin	.....	D13/103
D922,944 S	*	6/2021	Fu	.....	D13/103
D930,585 S	*	9/2021	Yu	.....	D13/110
D931,800 S	*	9/2021	Fang	.....	D13/103
D936,007 S	*	11/2021	Huang	.....	D13/110
D936,583 S	*	11/2021	Liu	.....	D13/110
D937,207 S	*	11/2021	Zhen	.....	D13/103
D938,354 S	*	12/2021	Sun	.....	D13/110
D938,355 S	*	12/2021	Xiong	.....	D13/110
D941,757 S	*	1/2022	Liao	.....	D13/107
D942,932 S	*	2/2022	Yin	.....	D13/107
D942,933 S	*	2/2022	Yin	.....	D13/107
D942,934 S	*	2/2022	Yin	.....	D13/107
D942,940 S	*	2/2022	Lai	.....	D13/103
D944,193 S	*	2/2022	Sun	.....	D13/107
D944,732 S	*	3/2022	Sun	.....	D13/110
D948,431 S	*	4/2022	Ye	.....	D13/110

(Continued)

Primary Examiner — Christy Nemeth

(74) Attorney, Agent, or Firm — Jeenam Park

(57) **CLAIM**

The ornamental design for a portable power station, as shown and described.

**DESCRIPTION**

FIG. 1 is a perspective view of a portable power station of my new design;

FIG. 2 is a front view thereof;

FIG. 3 is a rear view thereof;

FIG. 4 is a top plan view thereof;

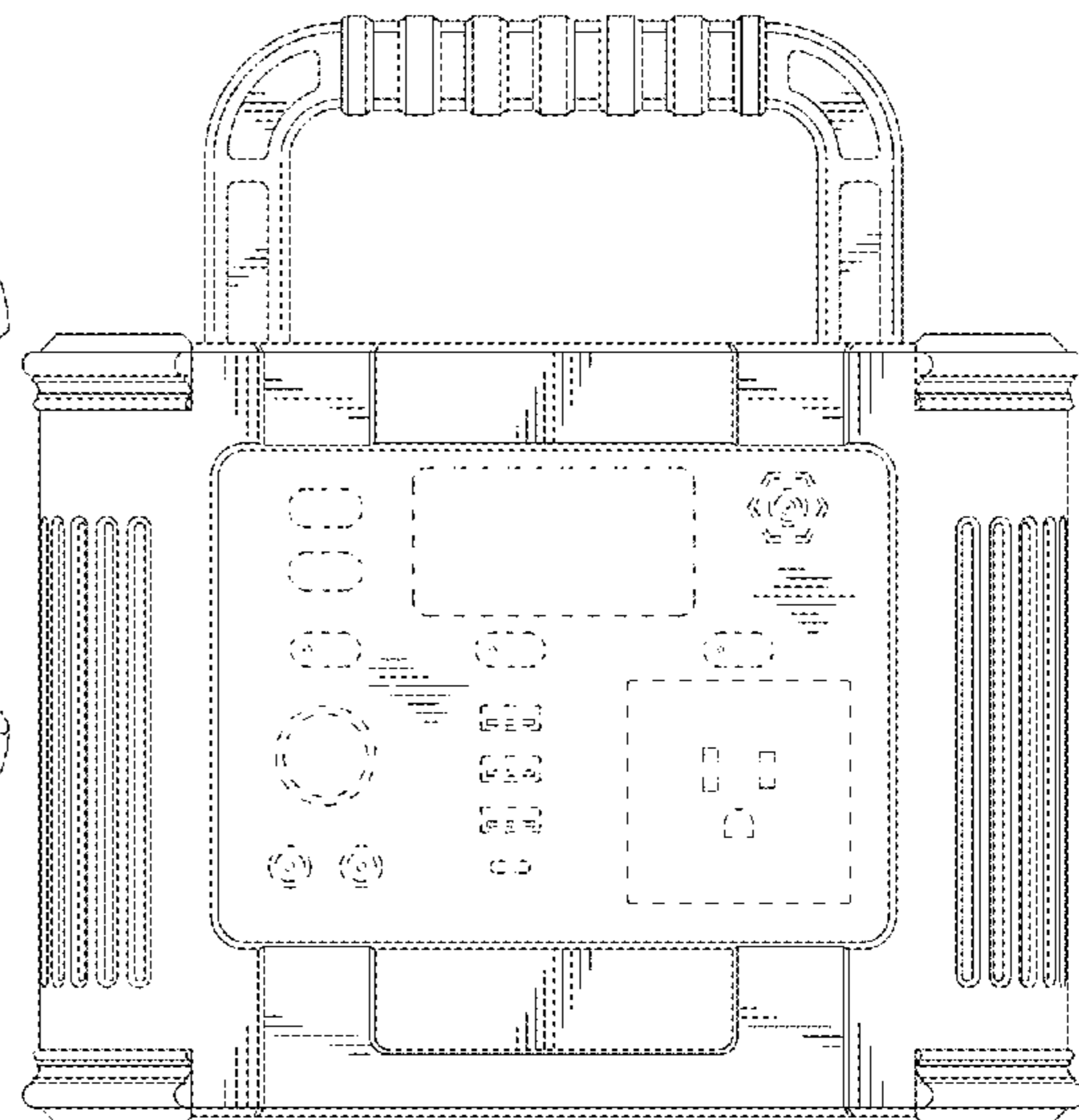
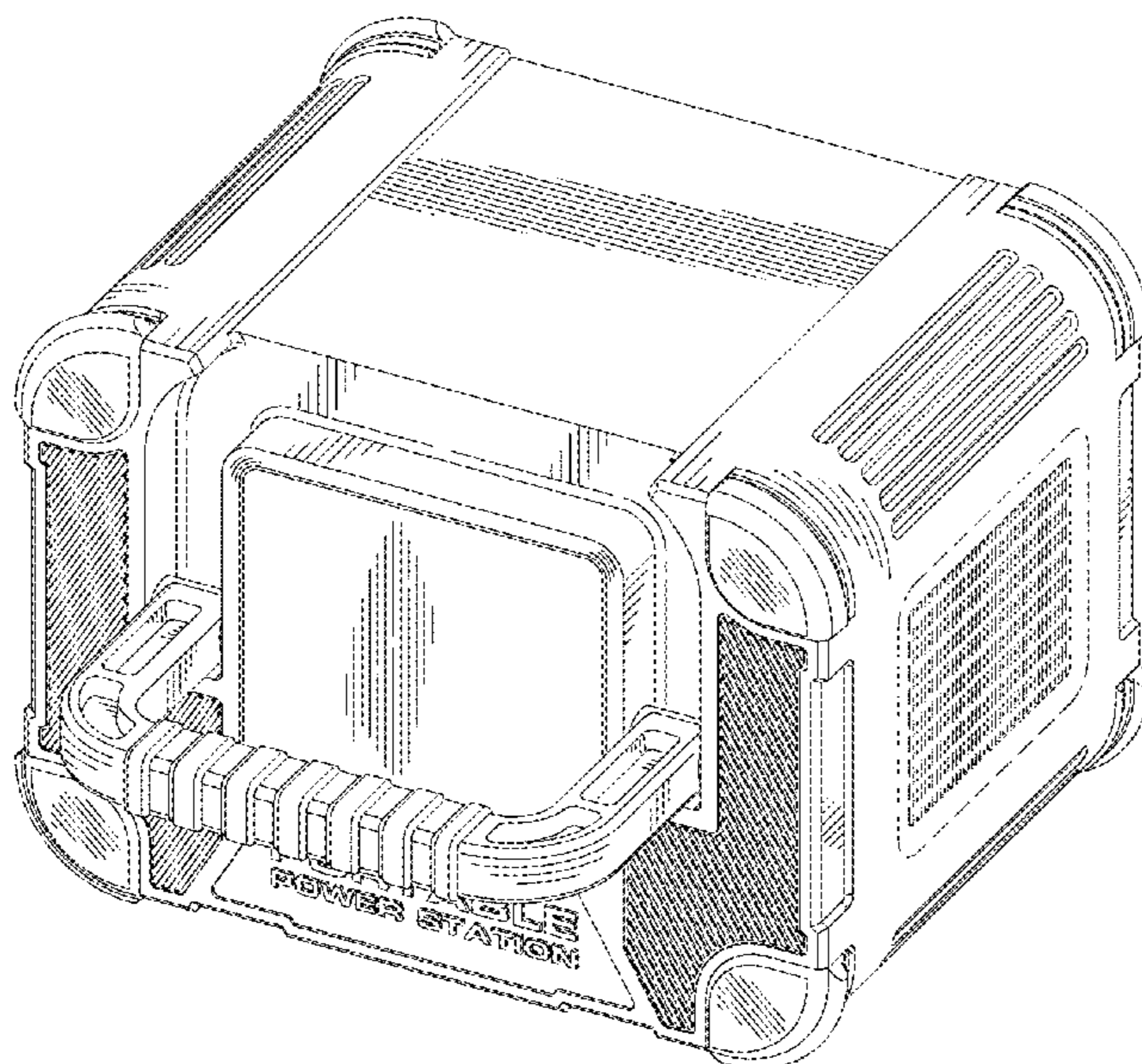
FIG. 5 is a bottom plan view thereof;

FIG. 6 is a right side view thereof; and,

FIG. 7 is a left side view thereof.

The broken lines in the drawings illustrate portions of the portable power station that form no part of the claimed design.

**1 Claim, 7 Drawing Sheets**



(56)

**References Cited**

U.S. PATENT DOCUMENTS

D948,433 S	*	4/2022	Chen .....	D13/110
D948,434 S	*	4/2022	Chen .....	D13/110
D948,435 S	*	4/2022	Chen .....	D13/110
D949,098 S	*	4/2022	Wang .....	D13/116

\* cited by examiner



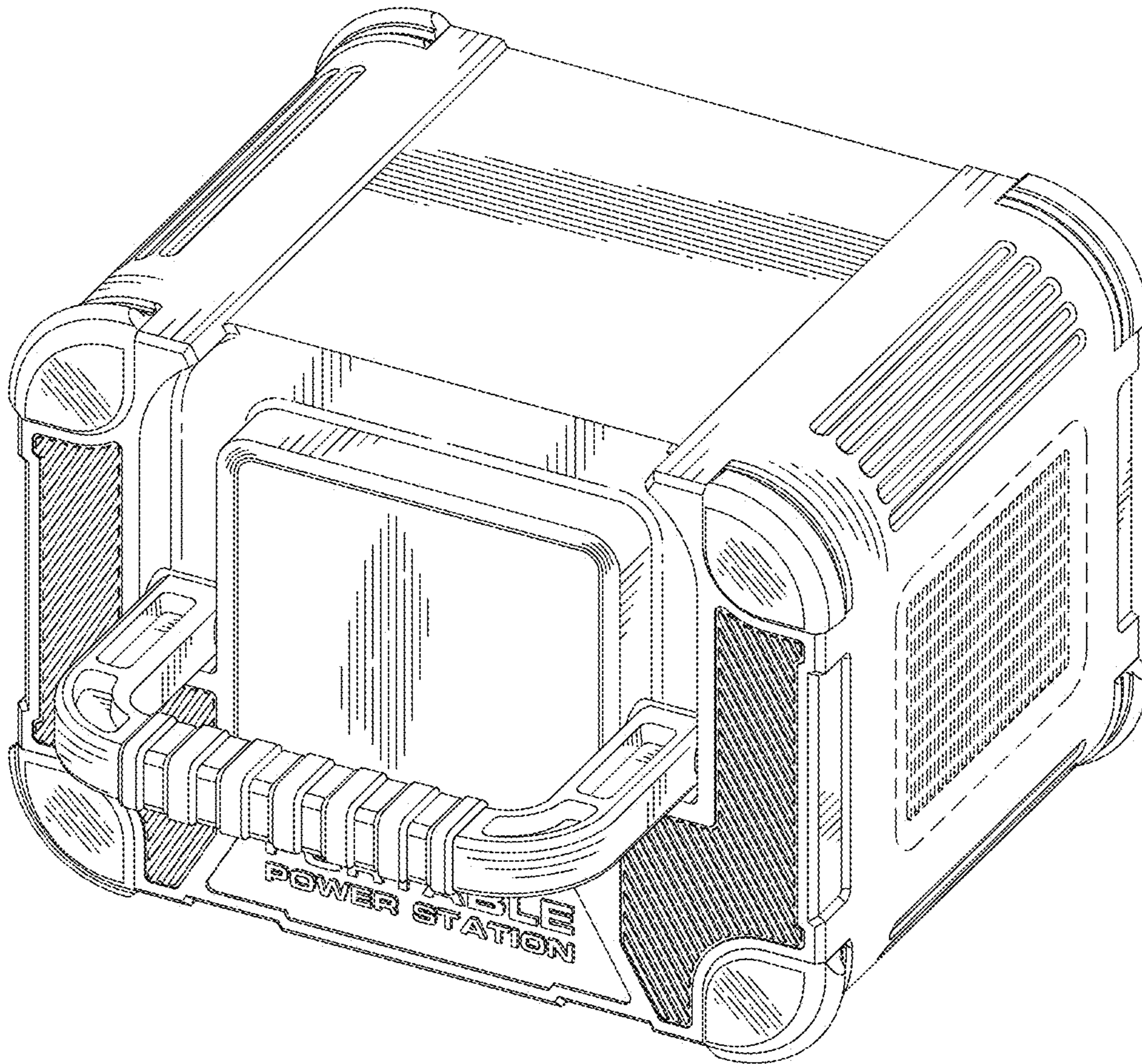


FIG. 1

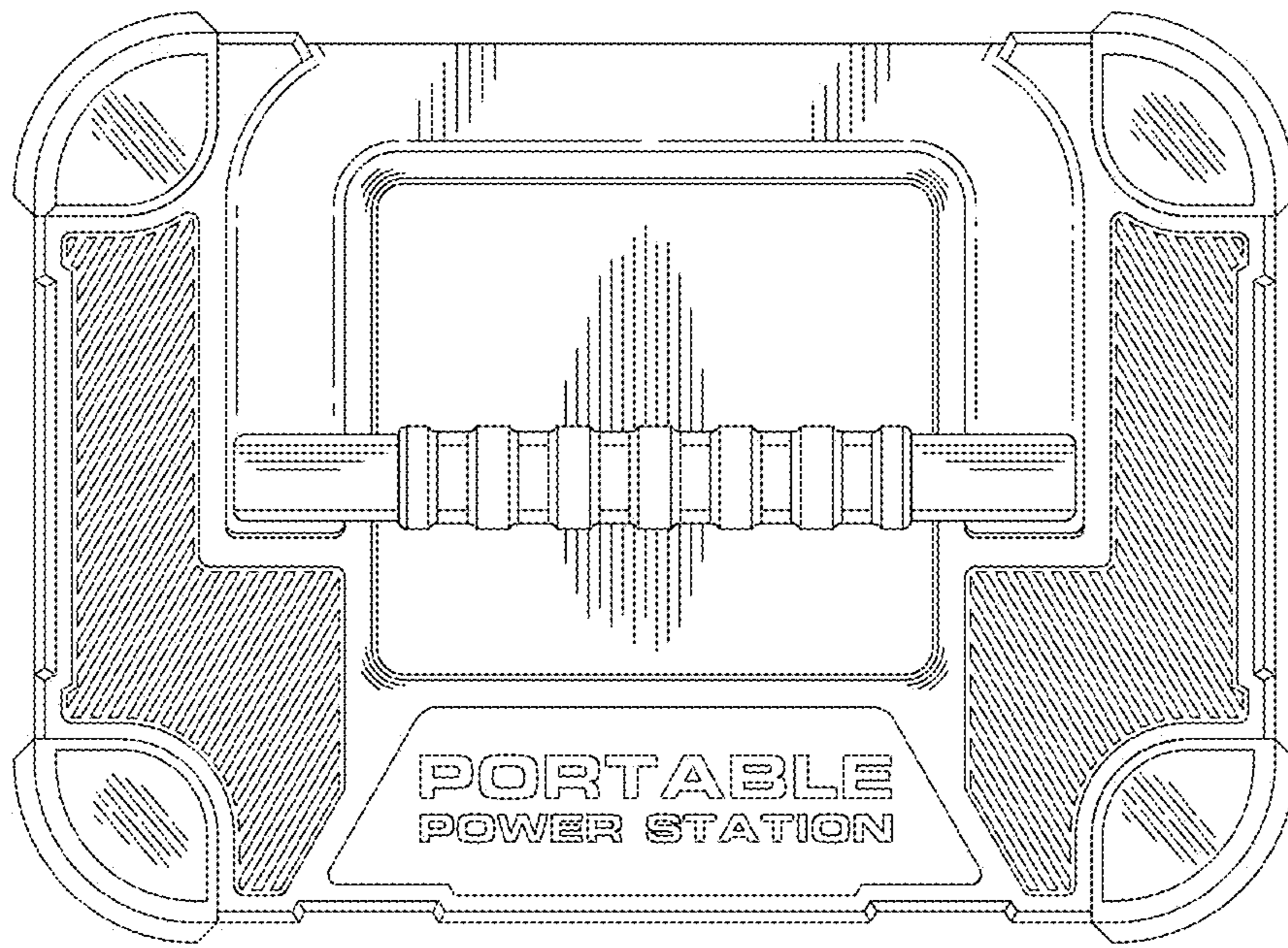


FIG. 2

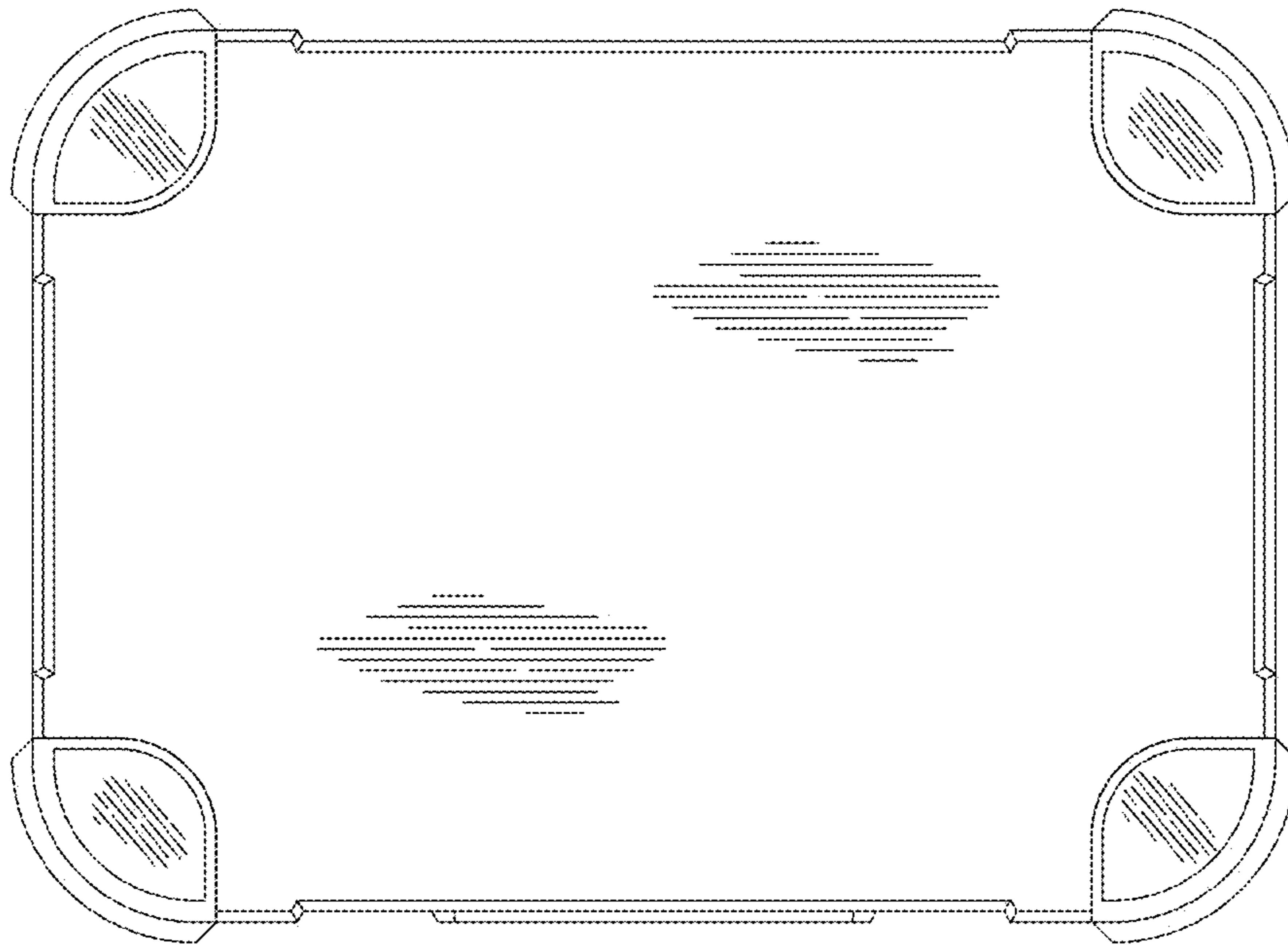


FIG. 3



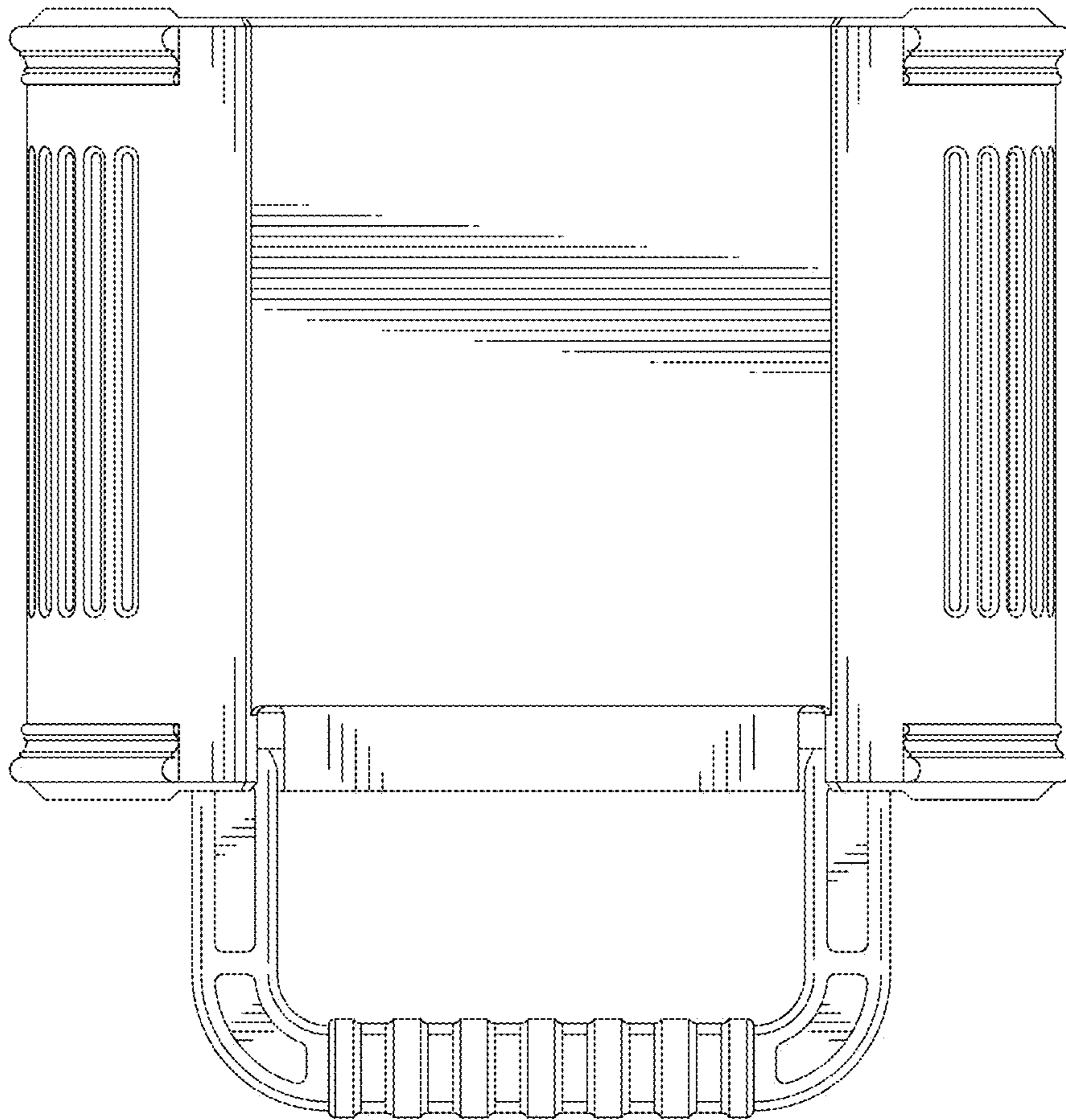


FIG. 4

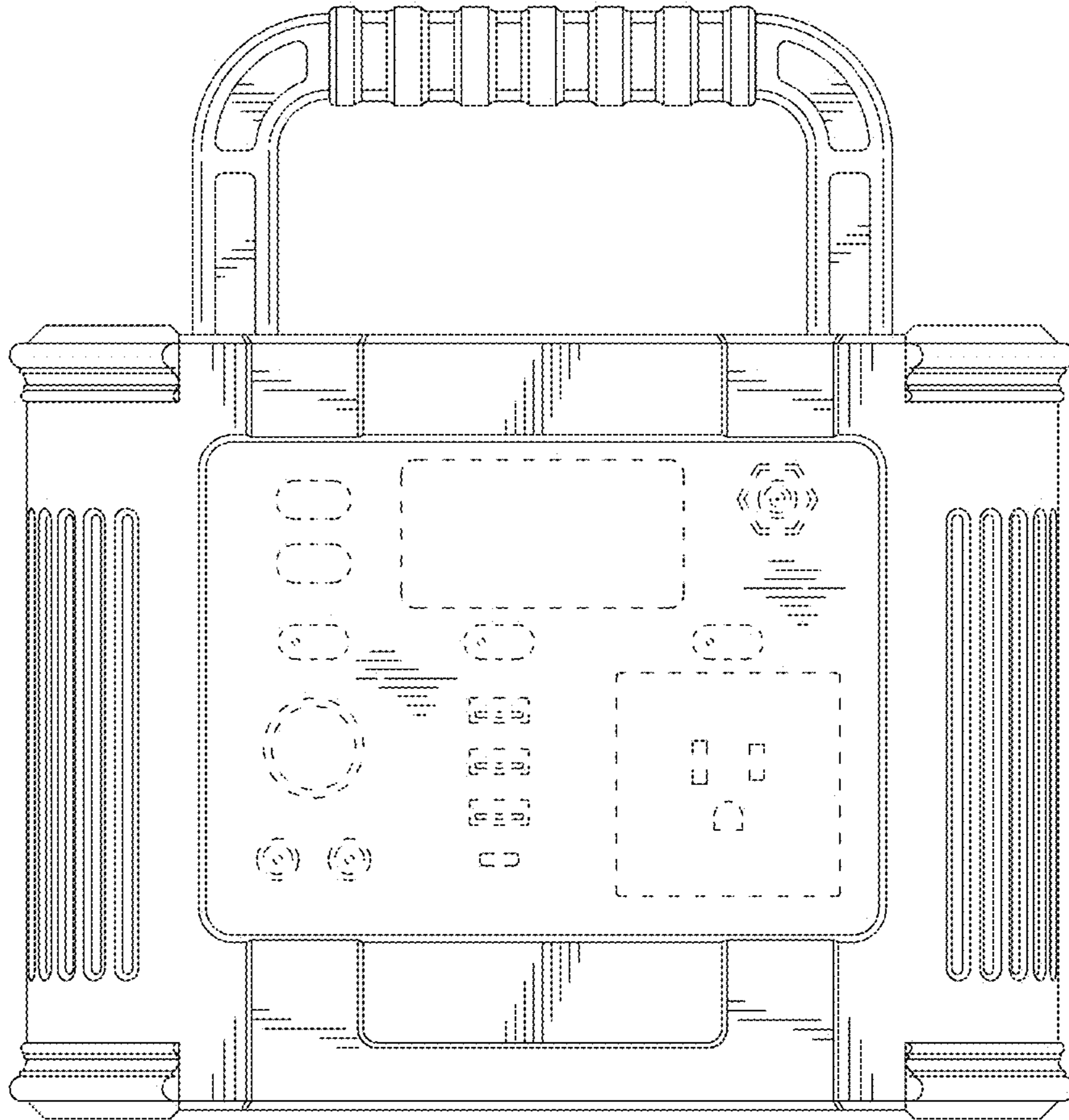


FIG. 5

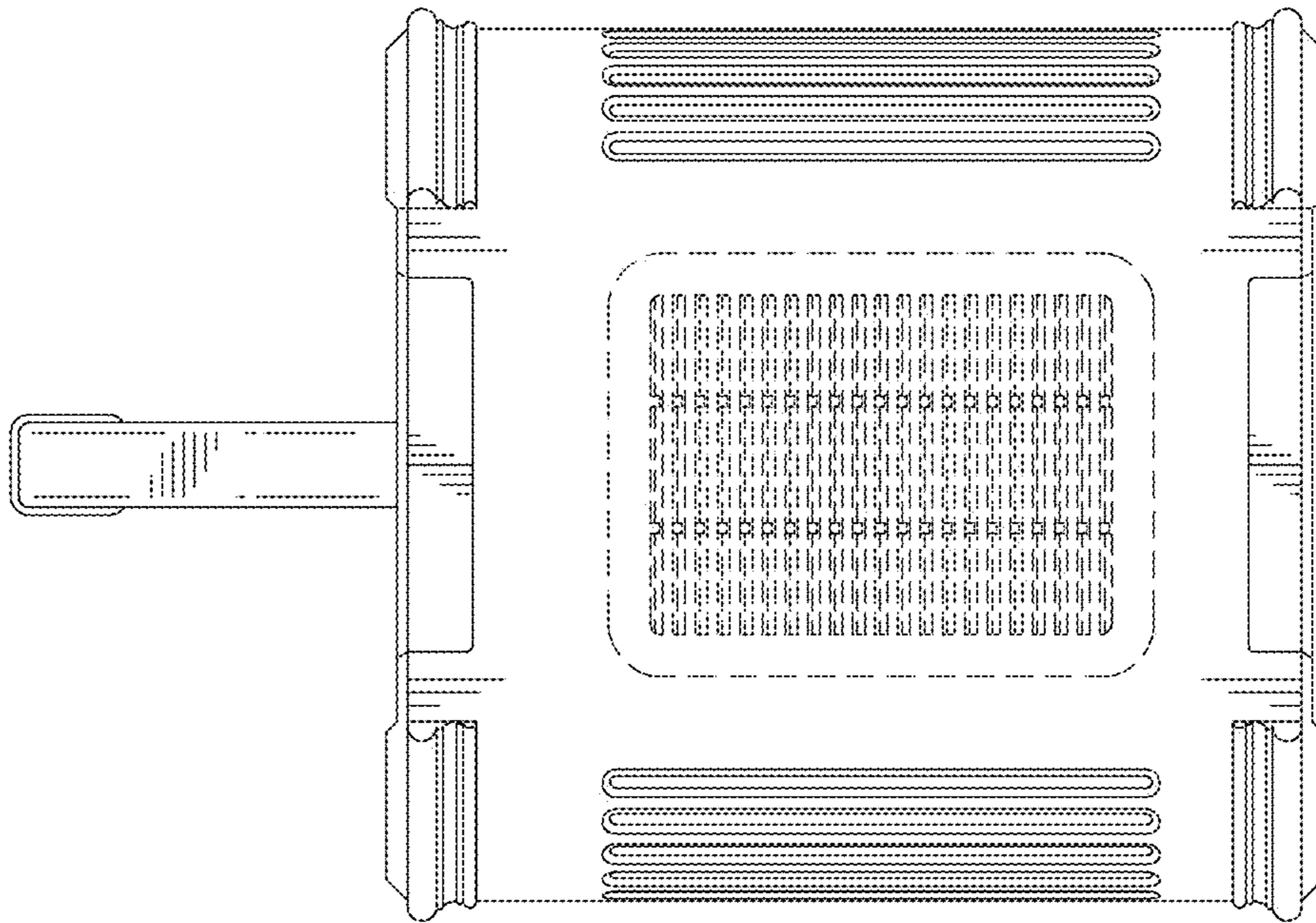


FIG. 6



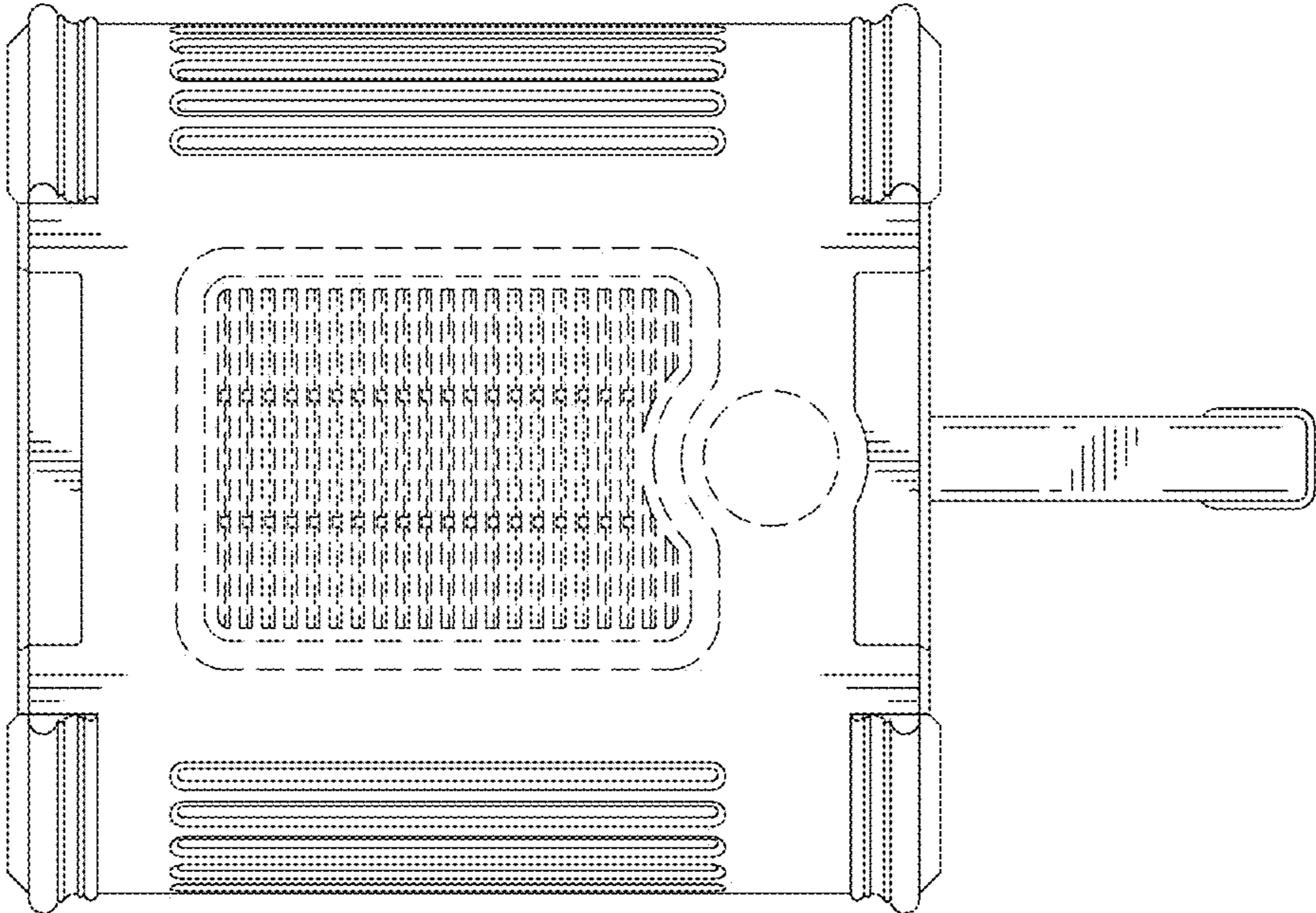


FIG. 7