



US00D971832S

(12) **United States Design Patent**
Campbell et al.

(10) **Patent No.:** **US D971,832 S**
(45) **Date of Patent:** **** Dec. 6, 2022**

(54) **COMBINED ELECTRONIC DEVICE
CHARGER AND STAND**

6,812,971 B2 11/2004 Terane
6,819,013 B2 11/2004 Kelly et al.
6,870,475 B2 3/2005 Fitch et al.
6,882,866 B2 4/2005 Sato
6,913,477 B2 7/2005 Dayan et al.
(Continued)

(71) Applicant: **ACCO BRANDS CORPORATION**,
Lake Zurich, IL (US)

(72) Inventors: **Erik Campbell**, San Francisco, CA
(US); **Erica Serna**, San Mateo, CA
(US); **Brian Bautista**, South San
Francisco, CA (US); **Wilson Tse**,
Burnaby (CA)

FOREIGN PATENT DOCUMENTS

CN 207427260 U 5/2018
CN 202130195522.2 * 12/2021
GB 2282715 A 4/1995

(73) Assignee: **ACCO Brands Corporation**, Lake
Zurich, IL (US)

OTHER PUBLICATIONS

“Scosche modular charging system”. Found online Jan. 7, 2022 at
9to5mac.com. Reference dated Dec. 10, 2019. Retrieved from
<https://9to5mac.com/2019/12/10/iphone-ipad-apple-watch-modular-wireless-charger/>. (Year: 2019).*

(**) Term: **15 Years**

(Continued)

(21) Appl. No.: **29/754,364**

(22) Filed: **Oct. 9, 2020**

Primary Examiner — Kendra Leslie Hamilton

Assistant Examiner — Amanda Christensen

(51) **LOC (13) Cl.** **13-02**

(52) **U.S. Cl.**
USPC **D13/108; D14/447**

(74) *Attorney, Agent, or Firm* — Michael Best &
Friedrich LLP

(58) **Field of Classification Search**
USPC D13/103, 107, 108, 110, 118, 119, 137.2,
D13/137.3, 139.1, 139.4, 139.5;
D14/251, 252, 253, 432, 433, 434, 447
CPC H01R 24/00; H01R 12/592; H02J 7/0044;
H02J 7/0045

(57) **CLAIM**

We claim the ornamental design for a combined electronic
device charger and stand, as shown and described.

See application file for complete search history.

DESCRIPTION

FIG. 1 is a top, front, left side perspective view of a
combined electronic device charger and stand.

FIG. 2 is a right side view thereof.

FIG. 3 is a left side view thereof.

FIG. 4 is a front view thereof.

FIG. 5 is a rear view thereof.

FIG. 6 is a top view thereof; and,

FIG. 7 is a bottom view thereof.

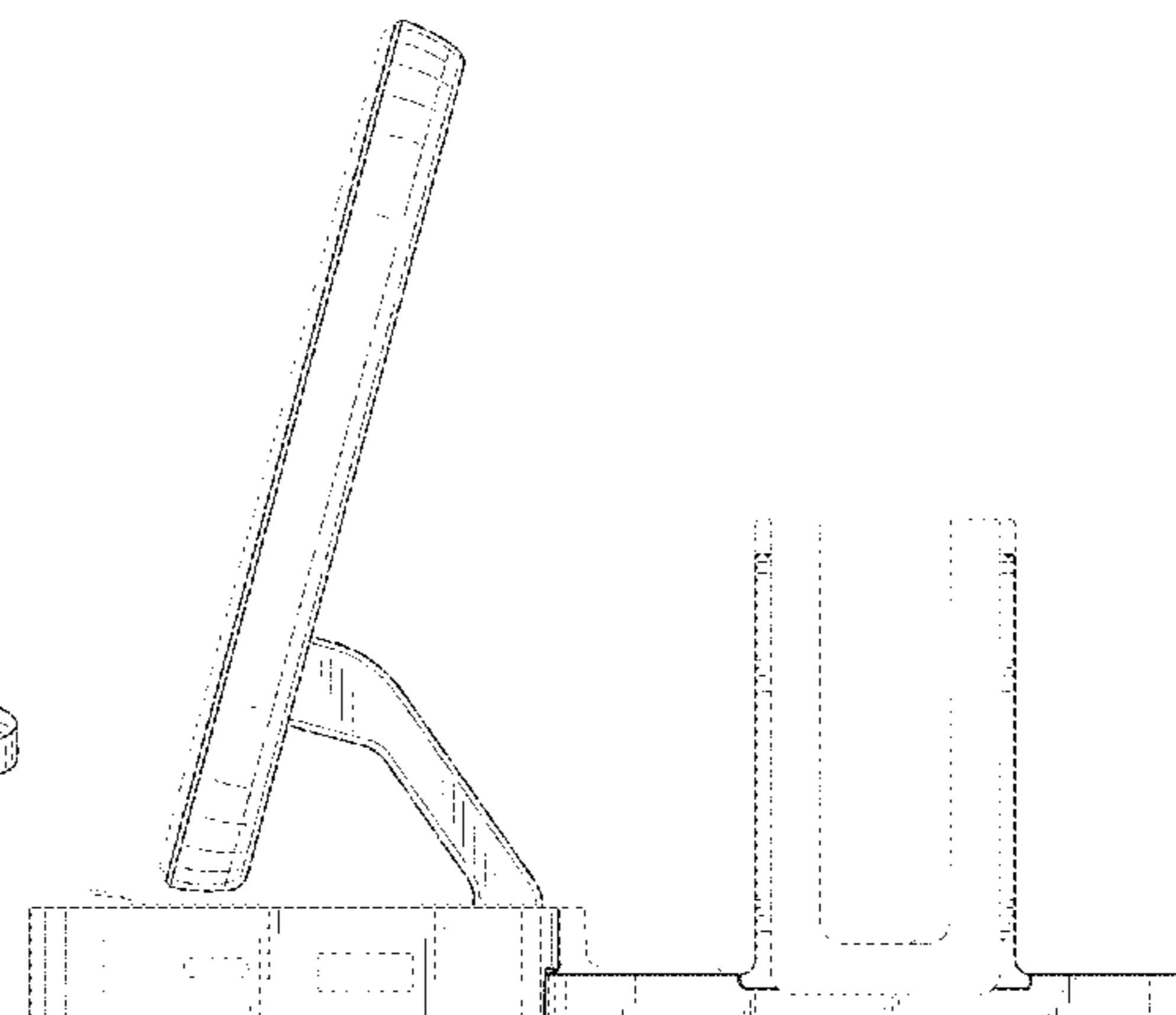
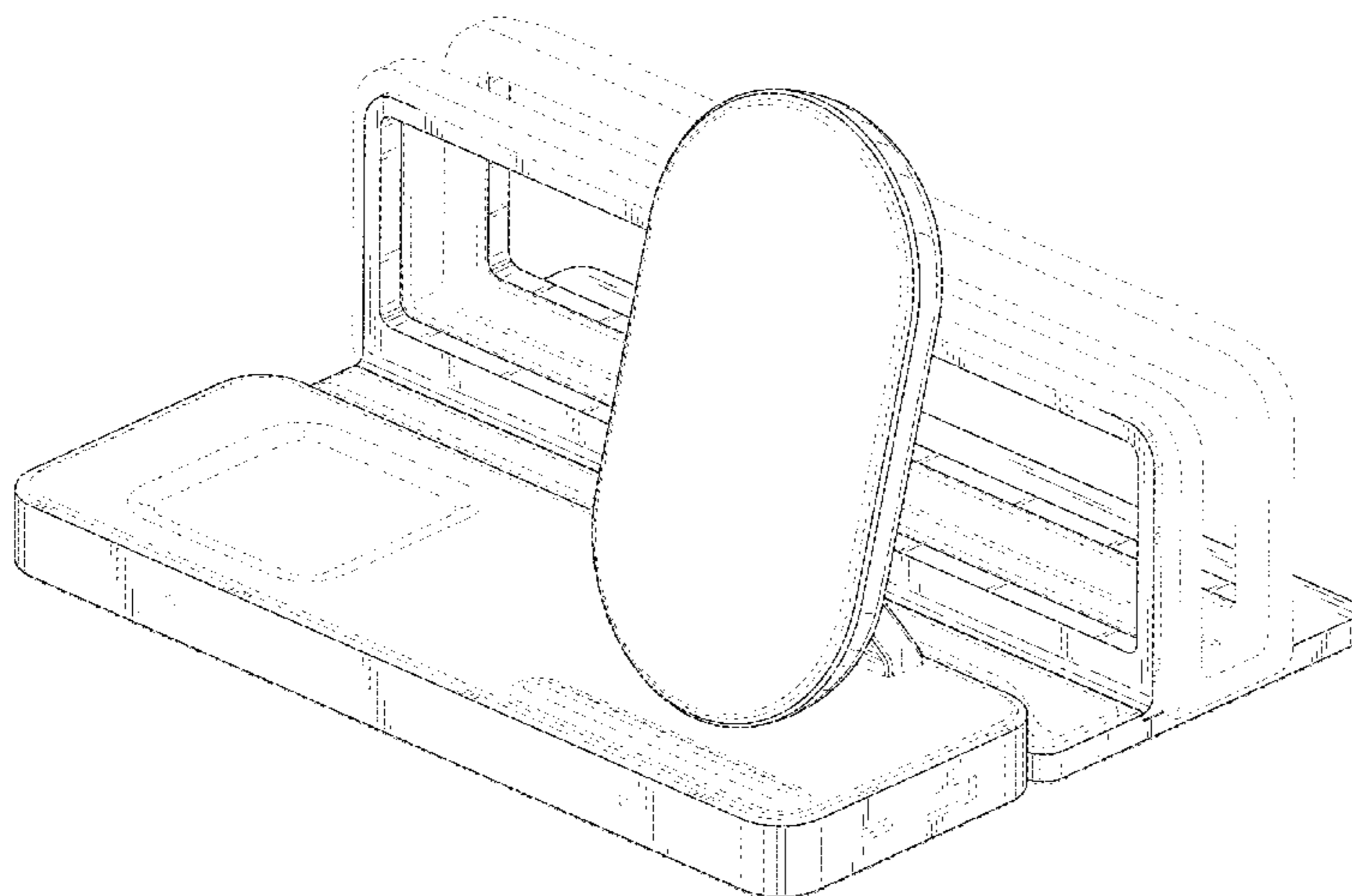
The broken lines having equal segments represent portions
of the article that form no part of the claimed design.

(56) **References Cited**

U.S. PATENT DOCUMENTS

5,936,619 A 8/1999 Nagasaki et al.
6,009,336 A 12/1999 Harris et al.
6,268,785 B1 7/2001 Kollman et al.
6,433,791 B2 8/2002 Selli et al.
6,717,798 B2 4/2004 Bell et al.
6,734,915 B2 5/2004 Nagaoka
6,803,744 B1 10/2004 Sabo

1 Claim, 7 Drawing Sheets



(56)

References Cited

U.S. PATENT DOCUMENTS

6,963,487 B2 11/2005 Billington et al.
 7,065,658 B1 6/2006 Baraban et al.
 7,185,818 B2 3/2007 Salvato
 7,200,423 B2 4/2007 Bum
 7,352,567 B2 4/2008 Hotelling et al.
 7,399,202 B2 7/2008 Dayan et al.
 7,479,759 B2 1/2009 Vilanov et al.
 7,518,337 B2 4/2009 Beart et al.
 7,542,093 B2 6/2009 Katakai
 7,567,059 B2 7/2009 Rosal et al.
 7,577,462 B2 8/2009 Kumar
 7,715,187 B2 5/2010 Hotelling et al.
 7,726,576 B2 6/2010 Salvato
 7,916,467 B2 3/2011 Hotelling et al.
 8,054,042 B2 11/2011 Griffin, Jr. et al.
 8,164,222 B2 4/2012 Baarman
 8,217,622 B2 7/2012 Stocking
 8,253,371 B2 8/2012 Vitanov et al.
 RE44,122 E 4/2013 Kumar
 8,494,205 B2 7/2013 Jensen
 D703,675 S * 4/2014 Jensen D14/447
 RE45,181 E 10/2014 Kumar
 8,988,876 B2 3/2015 Corbin et al.
 9,163,433 B2 10/2015 Sedon
 9,201,457 B1 12/2015 Baraban et al.
 9,281,701 B2 3/2016 Large et al.
 9,310,840 B2 4/2016 Beatty et al.
 9,319,086 B2 4/2016 Wong
 9,384,886 B2 7/2016 Henty
 9,451,347 B2 9/2016 Jensen
 9,531,206 B2 12/2016 Tsai et al.
 9,567,776 B2 2/2017 Mook et al.
 D782,411 S * 3/2017 Mischke D13/108
 9,819,216 B2 11/2017 Klawon et al.
 9,848,071 B2 12/2017 Thiers
 9,970,217 B2 5/2018 Mook et al.
 D826,850 S * 8/2018 Ehara D13/108
 10,104,211 B2 10/2018 Thiers
 10,110,043 B2 10/2018 Moon
 10,176,345 B2 1/2019 Sedon
 10,223,881 B2 3/2019 Burtness et al.
 10,227,796 B2 3/2019 Mook et al.
 10,269,485 B2 4/2019 Henty
 10,277,060 B1 4/2019 Cushing et al.
 D850,369 S * 6/2019 Wang D13/108
 D853,325 S * 7/2019 Xu D13/108
 10,461,581 B2 10/2019 Klawon et al.
 10,601,972 B2 3/2020 Thiers
 10,637,263 B2 4/2020 Goldberg
 D886,735 S 6/2020 Yamamoto et al.
 D887,349 S 6/2020 Yamamoto et al.
 D887,350 S 6/2020 Yamamoto et al.
 10,720,783 B2 7/2020 Allen et al.
 10,738,508 B2 8/2020 Mook et al.
 10,879,723 B2 * 12/2020 Morrow H02J 7/027
 D923,982 S * 7/2021 Thain D6/682.3
 D926,685 S * 8/2021 Fan D13/108
 D933,005 S * 10/2021 Yarbough D13/108
 D938,411 S * 12/2021 Yaremchuk D14/253
 D938,434 S * 12/2021 Lee D14/447
 2003/0006998 A1 1/2003 Kumar
 2005/0041131 A1 2/2005 Terane
 2005/0057683 A1 3/2005 Terane

2013/0326104 A1 12/2013 Strommen
 2014/0070061 A1 * 3/2014 Tsai A47D 1/008
 248/205.1
 2014/0077763 A1 3/2014 Szymanski et al.
 2014/0363988 A1 11/2014 An
 2015/0002088 A1 1/2015 D'Agostino
 2017/0055059 A1 2/2017 Jensen
 2018/0175671 A1 6/2018 Ren
 2019/0237985 A1 8/2019 Piunti et al.
 2019/0363555 A1 * 11/2019 Kung H02J 7/0044
 2020/0059112 A1 2/2020 Langlois et al.
 2020/0059114 A1 2/2020 Langlois et al.
 2020/0185952 A1 6/2020 Morrow et al.
 2020/0212689 A1 7/2020 Yamamoto et al.

OTHER PUBLICATIONS

“Bamboo multi device charging station”. Found online Jan. 19, 2022 at amazon.in. Reference dated Aug. 8, 2014. Retrieved from <https://www.amazon.in/Charging-Organizer-Smartphones-Universal-Compatibility/dp/B009CFMO0S>. (Year: 2014).*

“OITTM Multi-function Charging Stand”. Found online Sep. 8, 2021 at macsources.com. Reference dated Aug. 14, 2017. Retrieved from <https://macsources.com/oittm-multifunction-charging-stand-for-apple-iphone-and-watch-review/>. (Year: 2017).*

Chebeenly, “Wireless Charger, 3 in 1 Wireless Charging Station for Apple Watch/AirPods Pro/2, Fast Detachable and Magnetic Wireless Charging Stand for iPhone 11 Pro Max/X/XS/XR/8Plus,” <<https://www.amazon.com/Wireless-chebeenly-Charging-Detachable-Magnetic/dp/B085FYF6B4>> web page publicly available at least as early as Oct. 6, 2020.

Indigi, Wireless Charging Dock Station for iWatch, EarPod, Universal Smartphone Charging (Rotating Dock w/ Outputs Included), <<https://www.amazon.com/Wireless-Charging-Universal-Smartphone-Rotating/dp/B082BG3LV6>> web page publicly available at least as early as Oct. 6, 2020.

ITD Itanda, “Laptop Docking Station, USB C Laptop Hub Vertical Desktop Stand Station, 8 in 1 Hub for USB C Thunderbolt 3 Laptop and Phone, Compatible with Macbook Pro, Samsung Galaxy Docks Hub Station,” <https://www.amazon.com/Docking-Station-Vertical-Thunderbolt-Compatible/dp/B07VHK1RMF/ref=sr_1_5?dchild=1&keywords=ITD+ITANDA+laptop+docking+station&qid=1606854873&sr=8-5> web page publicly available at least as early as Aug. 31, 2020.

Jarlink, “Jarlink Vertical Laptop Stand, Desktop Space-Saving Laptop Holder with Adjustable Dock Size (up to 17.3 inch) for all MacBook Pro/Air, Microsoft Surface, Notebooks Lenovo Dell Samsung HP (Silver),” <http://www.jarlink.com/P_view.asp?pid=258> web page publicly available at least as early as Aug. 31, 2020.

Kensington, “SmartFit Laptop Riser with Wireless Phone Charging Pad,” publicly available at least as early as Aug. 31, 2020 (7 pages).

Logitech, “Wireless Charging Stand for iPhone 8 and Above,” <<https://www.logitech.com/en-us/products/powered-phone-wireless-charging>> web page publicly available at least as early as Oct. 29, 2020.

Xtreme, “Rotating Wireless Charger,” <<http://www.xtremecables.net/images/XWC8-1011-RotatingWirelessChargerStand.jpg>> web page publicly available at least as early as Oct. 6, 2020.

Xtreme, “Wireless Charger Car Mount,” <<http://www.xtremecables.net/images/XWC8-1015-BLK.jpg>> web page publicly available at least as early as Oct. 6, 2020.

* cited by examiner

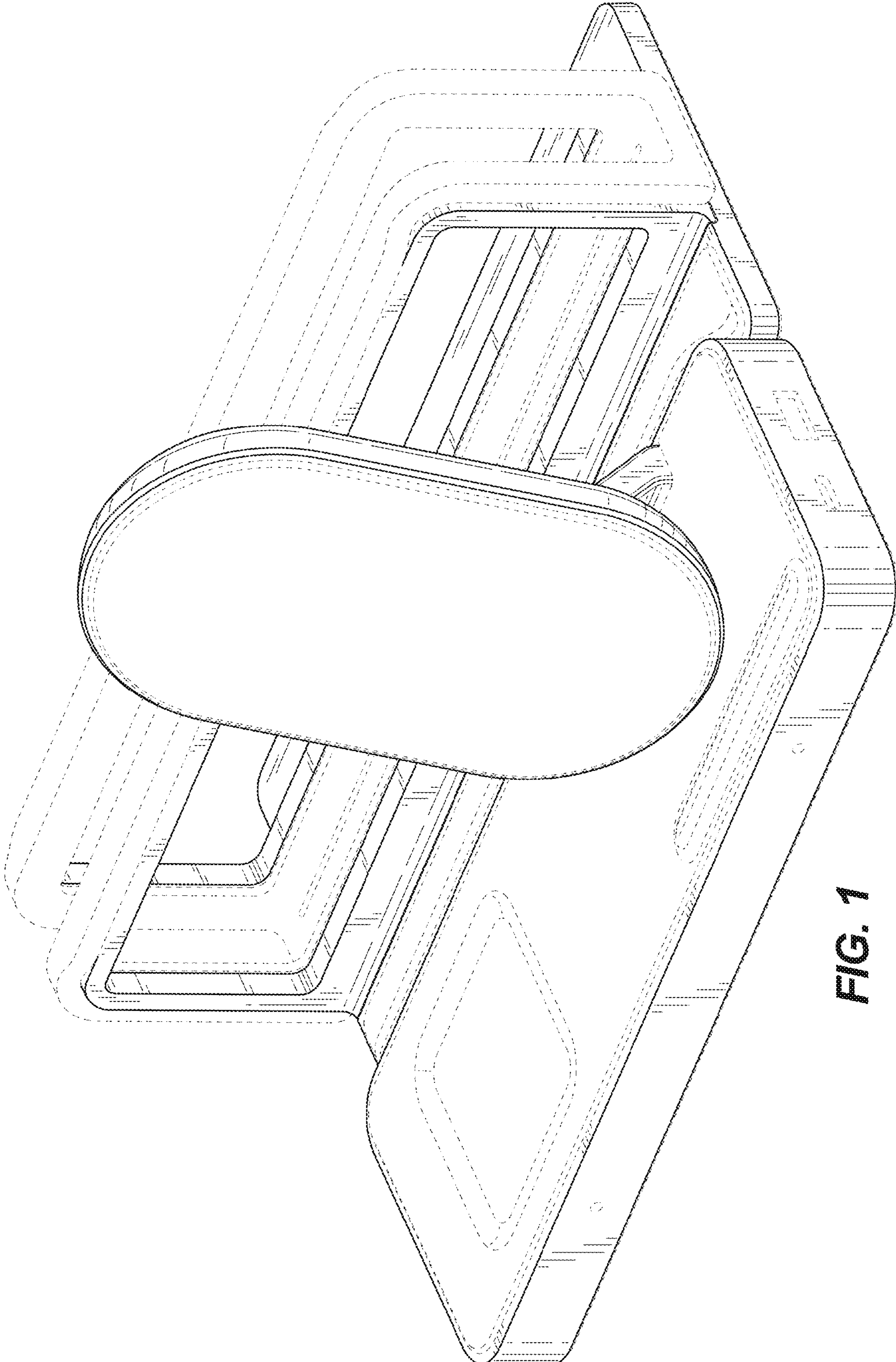


FIG. 1

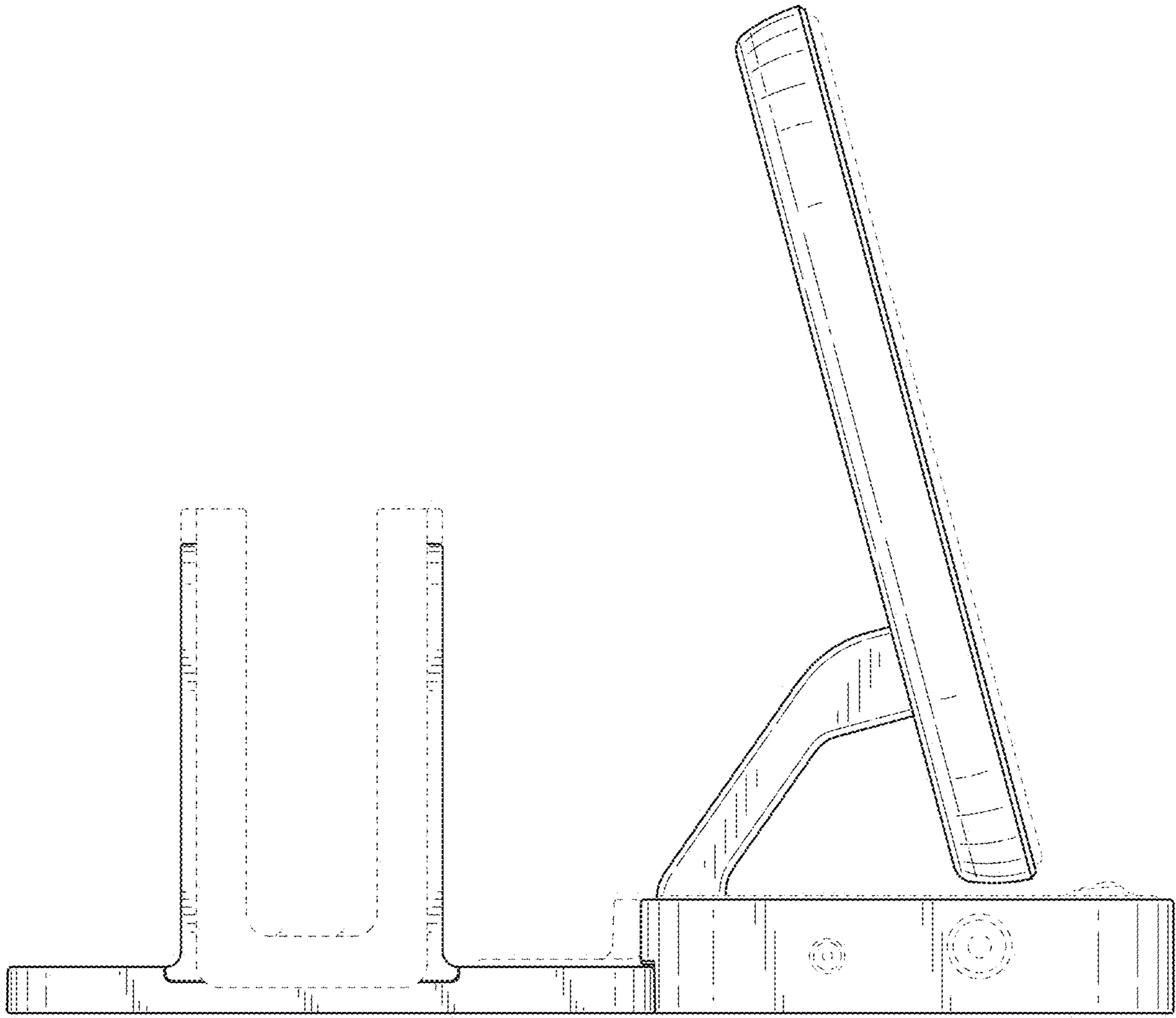


FIG. 2

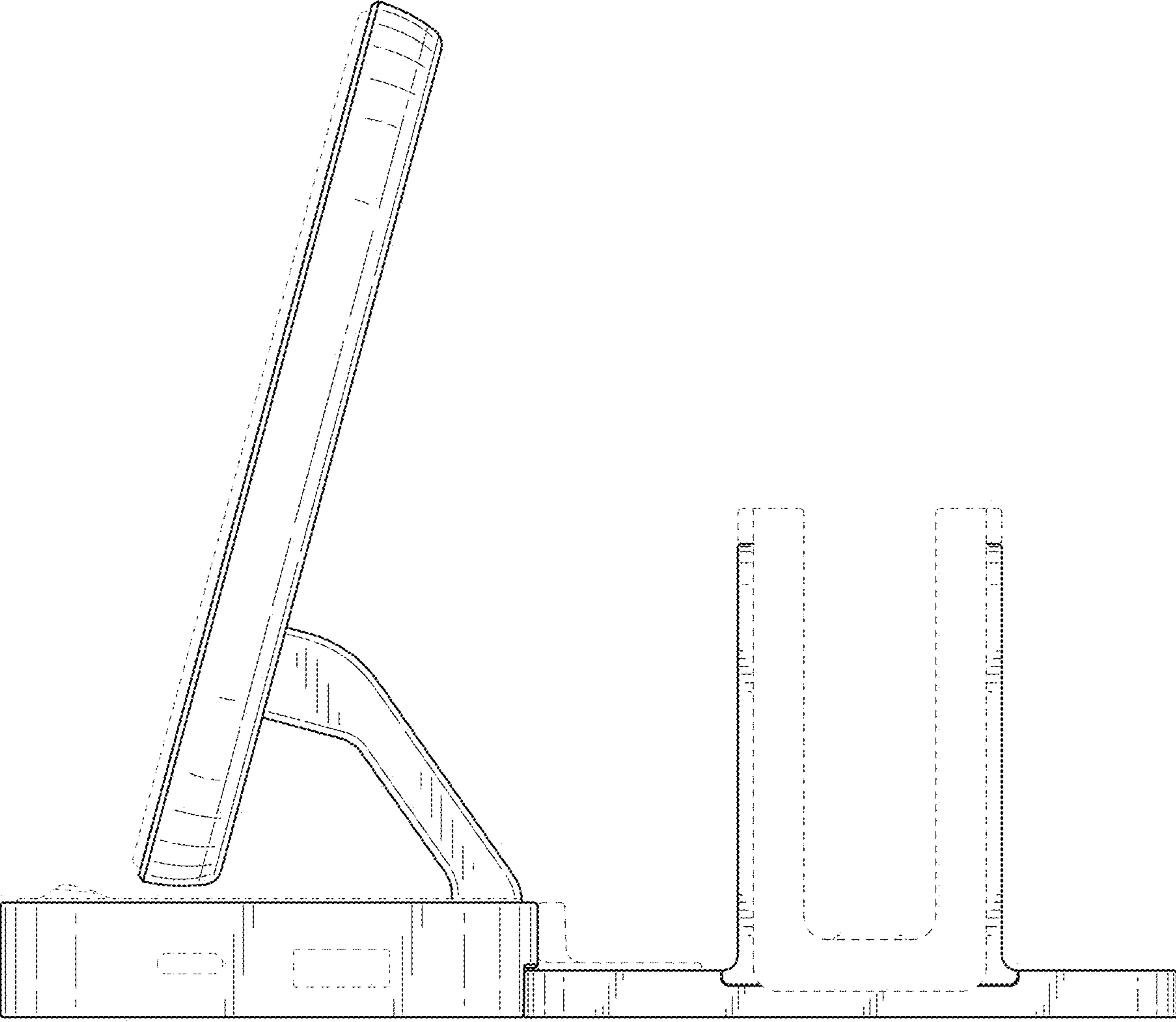


FIG. 3

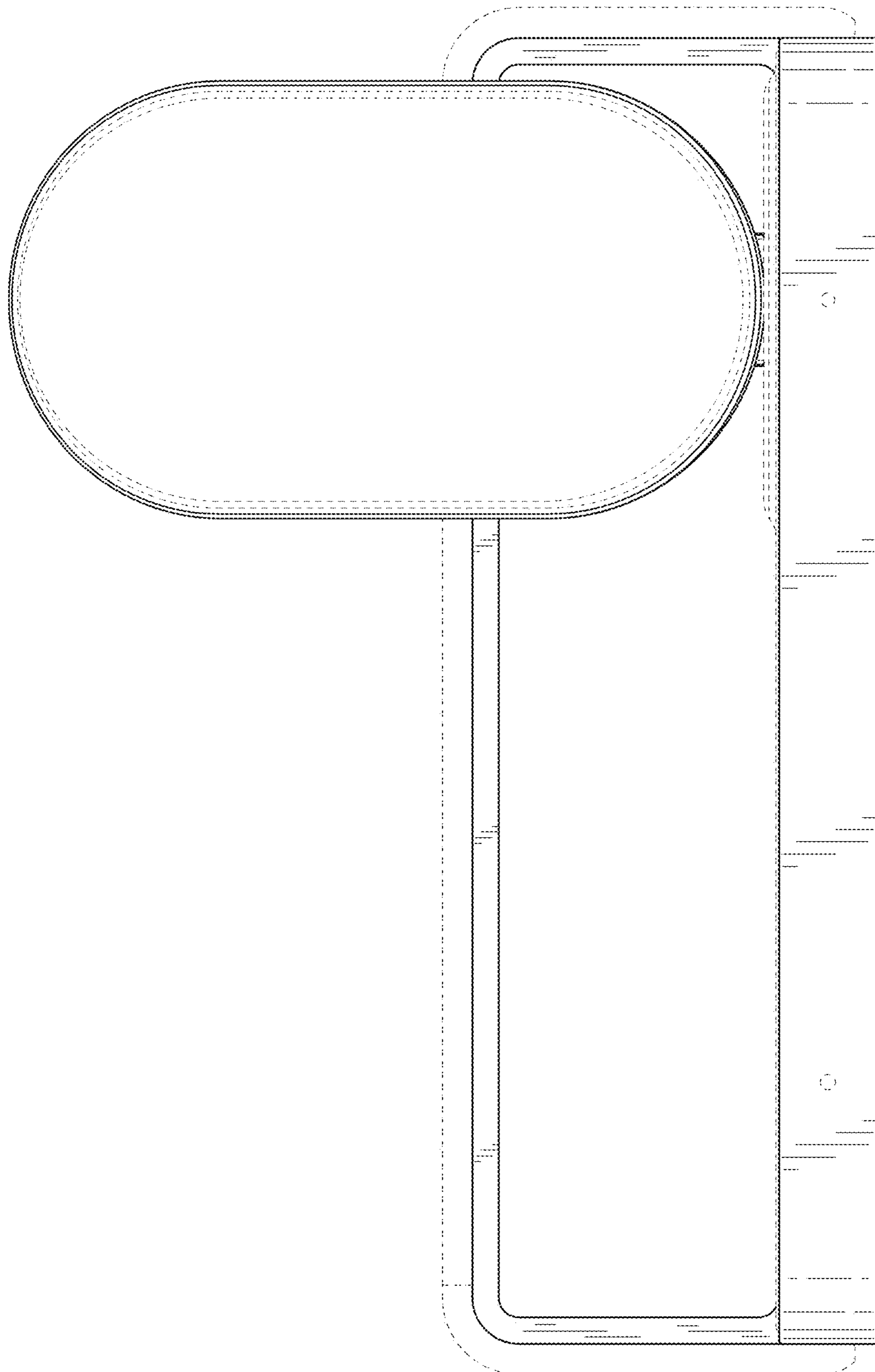


FIG. 4

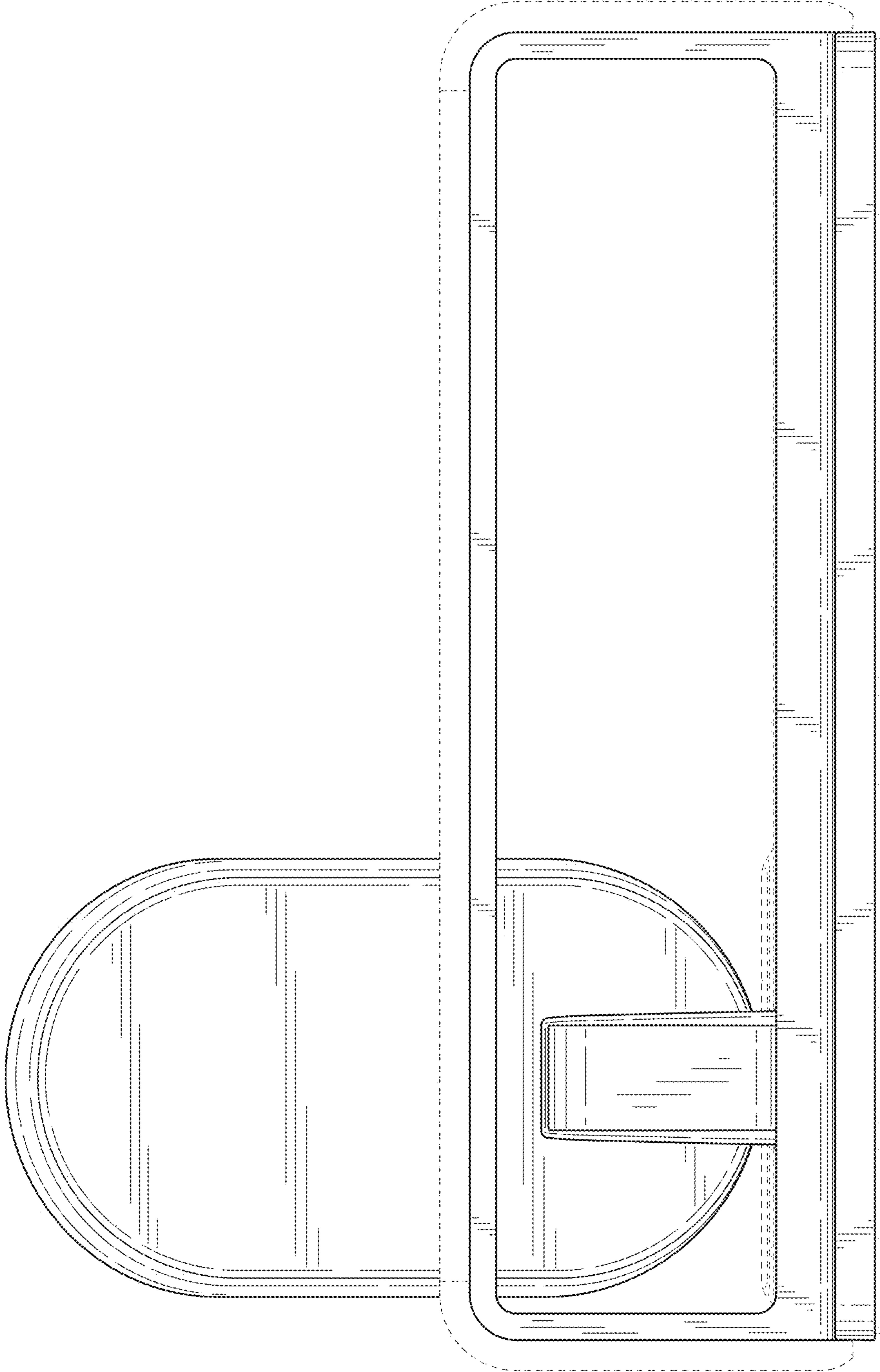


FIG. 5

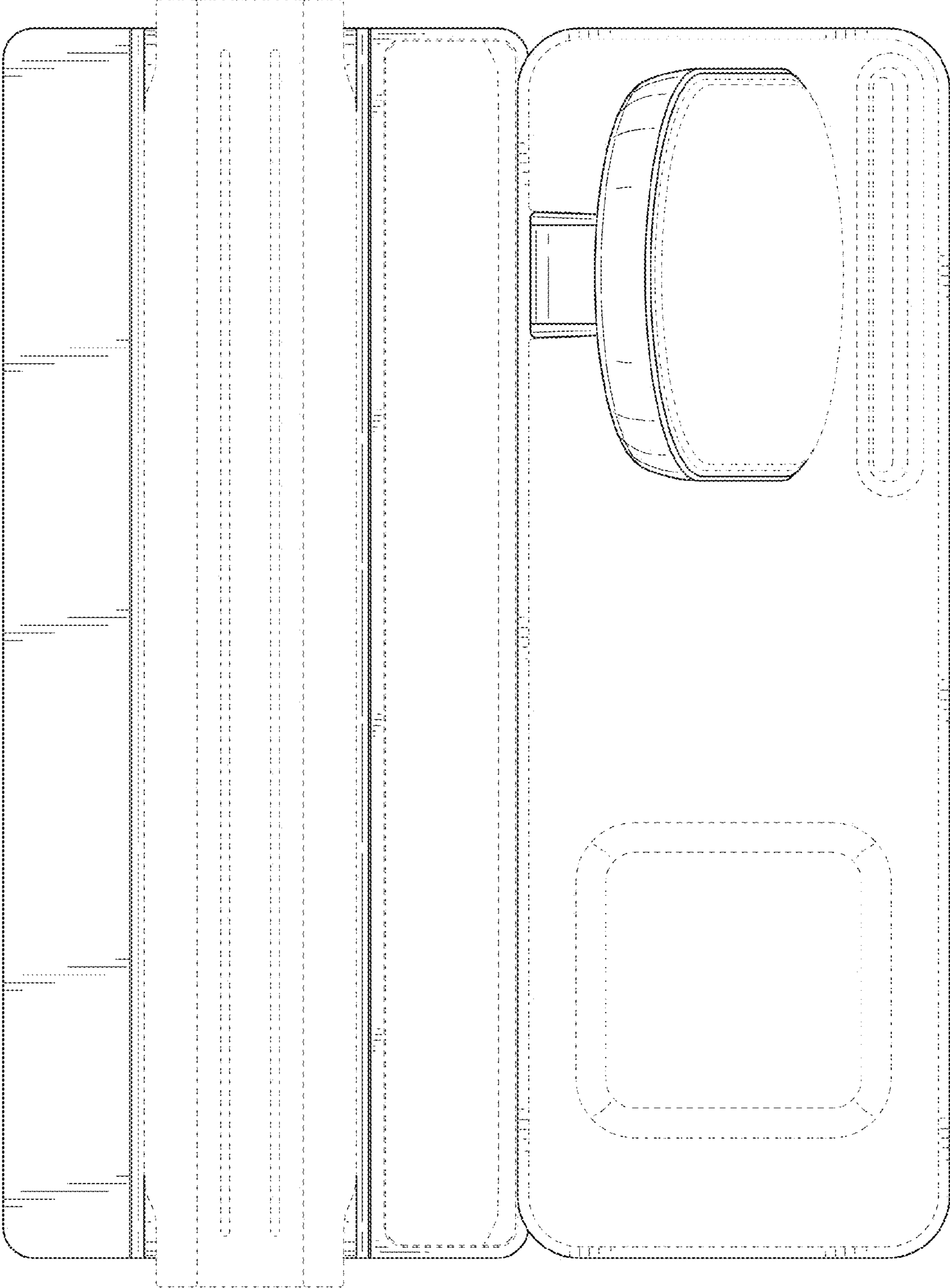


FIG. 6

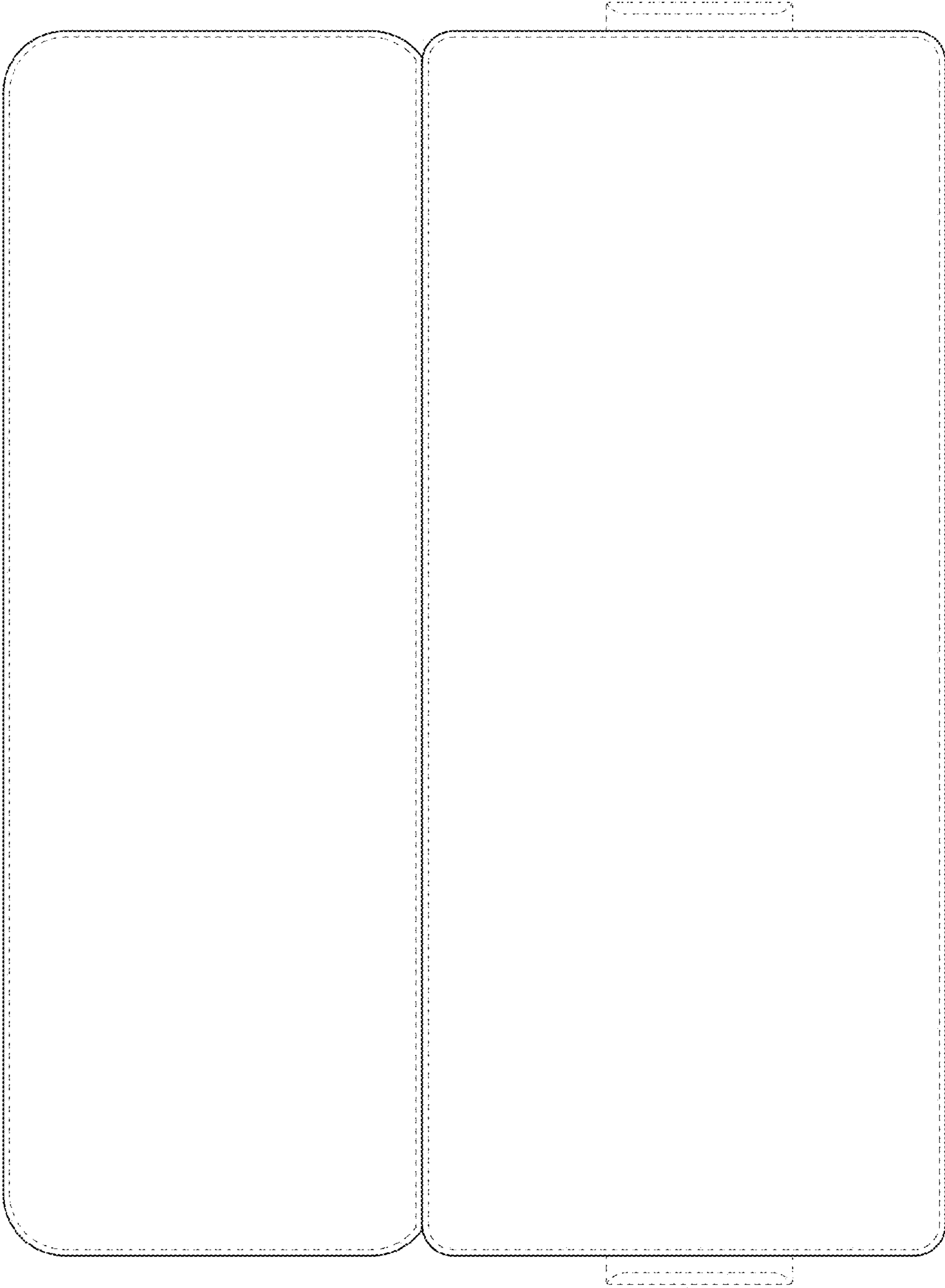


FIG. 7