



US00D971828S

(12) **United States Design Patent** (10) **Patent No.:** **US D971,828 S**  
**He et al.** (45) **Date of Patent:** **\*\* Dec. 6, 2022**

(54) **BATTERY**

(71) Applicant: **Shenzhen Del Contemporary Technology Ltd., Shenzhen (CN)**

(72) Inventors: **Wei He, Shenzhen (CN); Rongzhen Huang, Shenzhen (CN); Ruiwen Kuang, Shenzhen (CN)**

(73) Assignee: **Shenzhen Del Contemporary Technology Ltd., Shenzhen (CN)**

(\*\*) Term: **15 Years**

(21) Appl. No.: **29/740,297**

(22) Filed: **Jul. 2, 2020**

(30) **Foreign Application Priority Data**

Jun. 19, 2020 (CN) ..... 202030319412.8

(51) **LOC (13) Cl.** ..... **13-02**

(52) **U.S. Cl.**  
USPC ..... **D13/107**

(58) **Field of Classification Search**  
USPC ..... D13/103, 106, 107, 108, 109, 110, 112, D13/114, 116, 118, 119, 184, 199  
CPC ..... H01M 10/46; H02J 7/0044; F02B 63/04  
See application file for complete search history.

(56) **References Cited**

**U.S. PATENT DOCUMENTS**

D585,822 S *	2/2009	Hsu	.....	D13/107
D764,403 S *	8/2016	Azuma	.....	D13/103
D815,039 S *	4/2018	Wen	.....	D13/110
D872,018 S *	1/2020	Dong	.....	D13/110
D874,397 S *	2/2020	Sun	.....	D13/107
D881,808 S *	4/2020	Sun	.....	D13/108
D883,206 S *	5/2020	Bai	.....	D13/110
D887,357 S *	6/2020	Liao	.....	D13/110
D911,935 S *	3/2021	Alexander	.....	D13/107
D911,953 S *	3/2021	Yin	.....	D13/108

2015/0273608 A1*	10/2015	Rozmarynowski ..	B23K 9/1006
			219/133
2016/0285295 A1*	9/2016	Marinov .....	H02J 7/007
2018/0034267 A1*	2/2018	Vasefi .....	H02J 1/00

**OTHER PUBLICATIONS**

“KYNG Portable Power Station”. Found online Aug. 24, 2021 at amazon.com. Reference dated Dec. 1, 2019. Retrieved from <https://www.amazon.com/Kyng-Power-Generator-Emergency-Rechargeable/dp/B07SVL2CP3>. (Year: 2019).\*

“Jackery Portable Power Station”. Found online Aug. 24, 2021 at amazon.com. Reference dated Jul. 27, 2018. Retrieved from [https://www.amazon.com/Jackery-Portable-Generator-Explorer-Emergency/dp/B07FYJVFNK/ref=pd\\_di\\_sccai\\_4/138-1419969-7172313](https://www.amazon.com/Jackery-Portable-Generator-Explorer-Emergency/dp/B07FYJVFNK/ref=pd_di_sccai_4/138-1419969-7172313). (Year: 2018).\*

“ROCKPALS Portable Power Station”. Found online Aug. 24, 2021 at amazon.com. Reference dated Apr. 27, 2017. Retrieved from <https://www.amazon.com/dp/B07FFNTGZ6?tag=theenergyfixart-20&linkCode=ogi&th=1&psc=1>. (Year: 2017).\*

\* cited by examiner

*Primary Examiner* — Kendra Leslie Hamilton

*Assistant Examiner* — Amanda Christensen

(74) *Attorney, Agent, or Firm* — Hawaii Patent Services; Nathaniel K. Fedde; Kenton N. Fedde

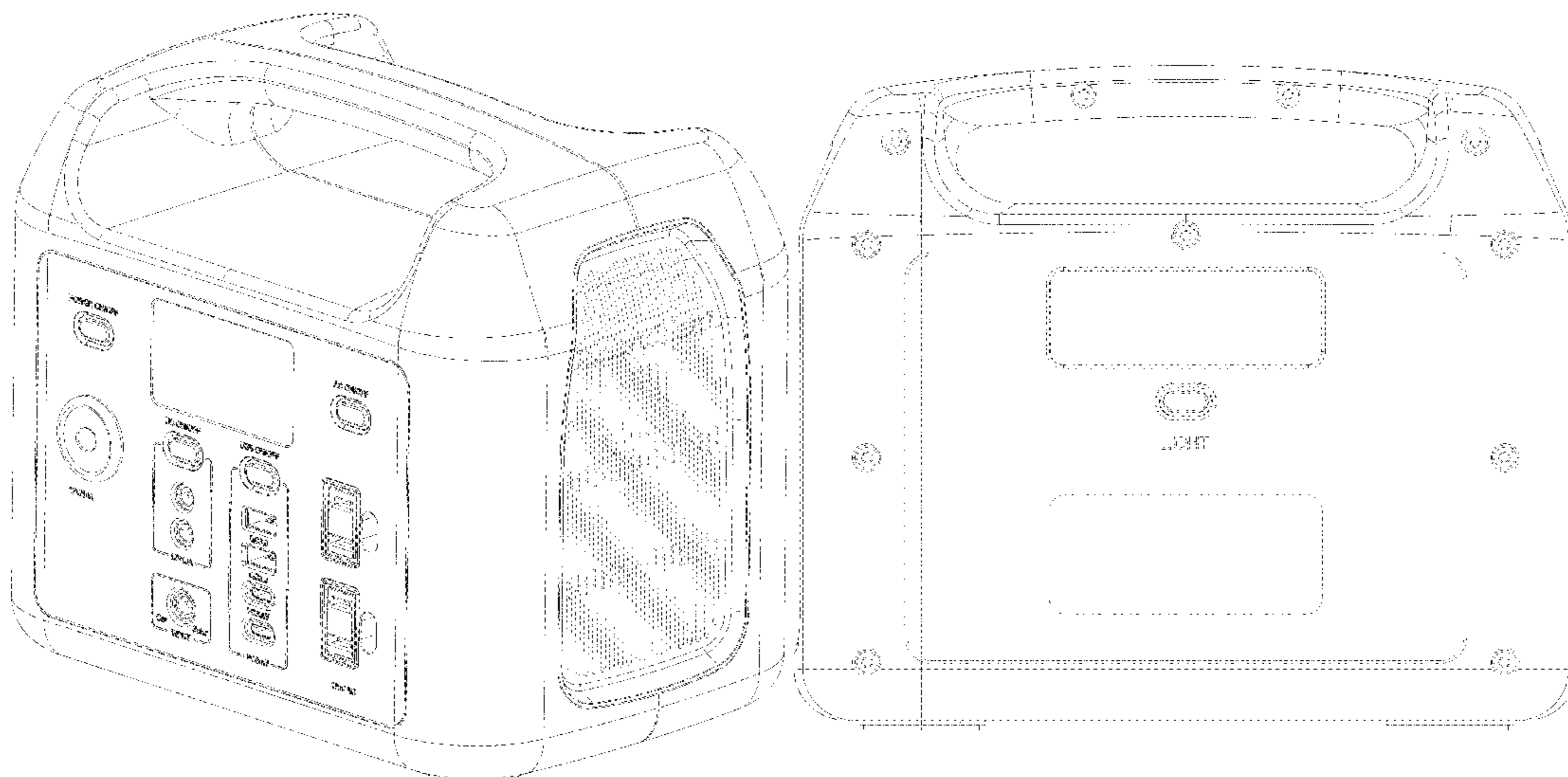
(57) **CLAIM**

The ornamental design for a battery, as shown and described.

**DESCRIPTION**

FIG. 1 is a top, front, right side perspective view of a battery; FIG. 2 is a front elevational view thereof; FIG. 3 is a rear elevational view thereof; FIG. 4 is a left side elevational view thereof; FIG. 5 is a right side elevational view thereof; FIG. 6 is a top plan view thereof; and, FIG. 7 is a bottom plan view thereof. The broken lines in the drawings depict portions of the battery that form no part of the claimed design.

**1 Claim, 7 Drawing Sheets**



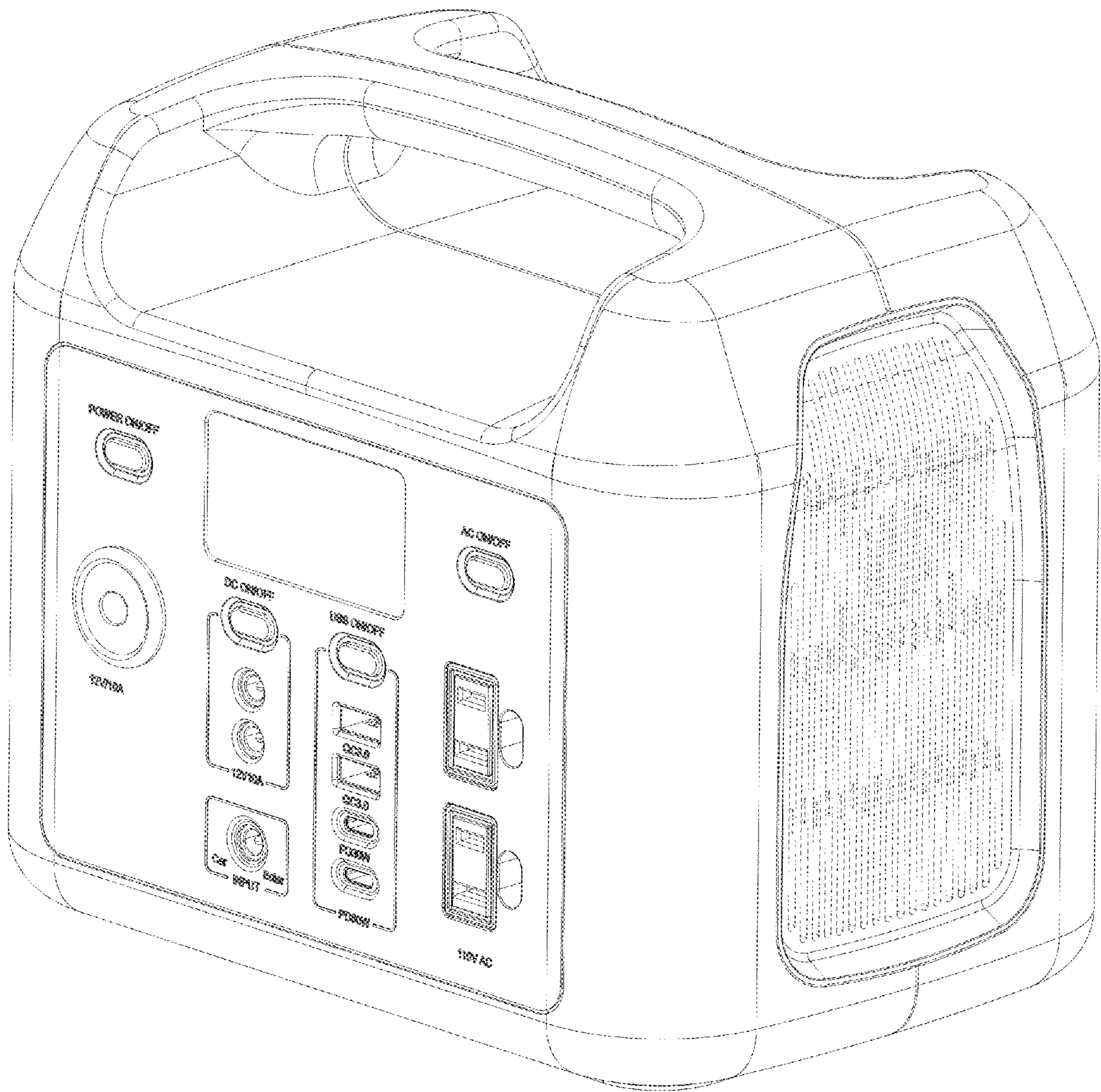


FIG.1

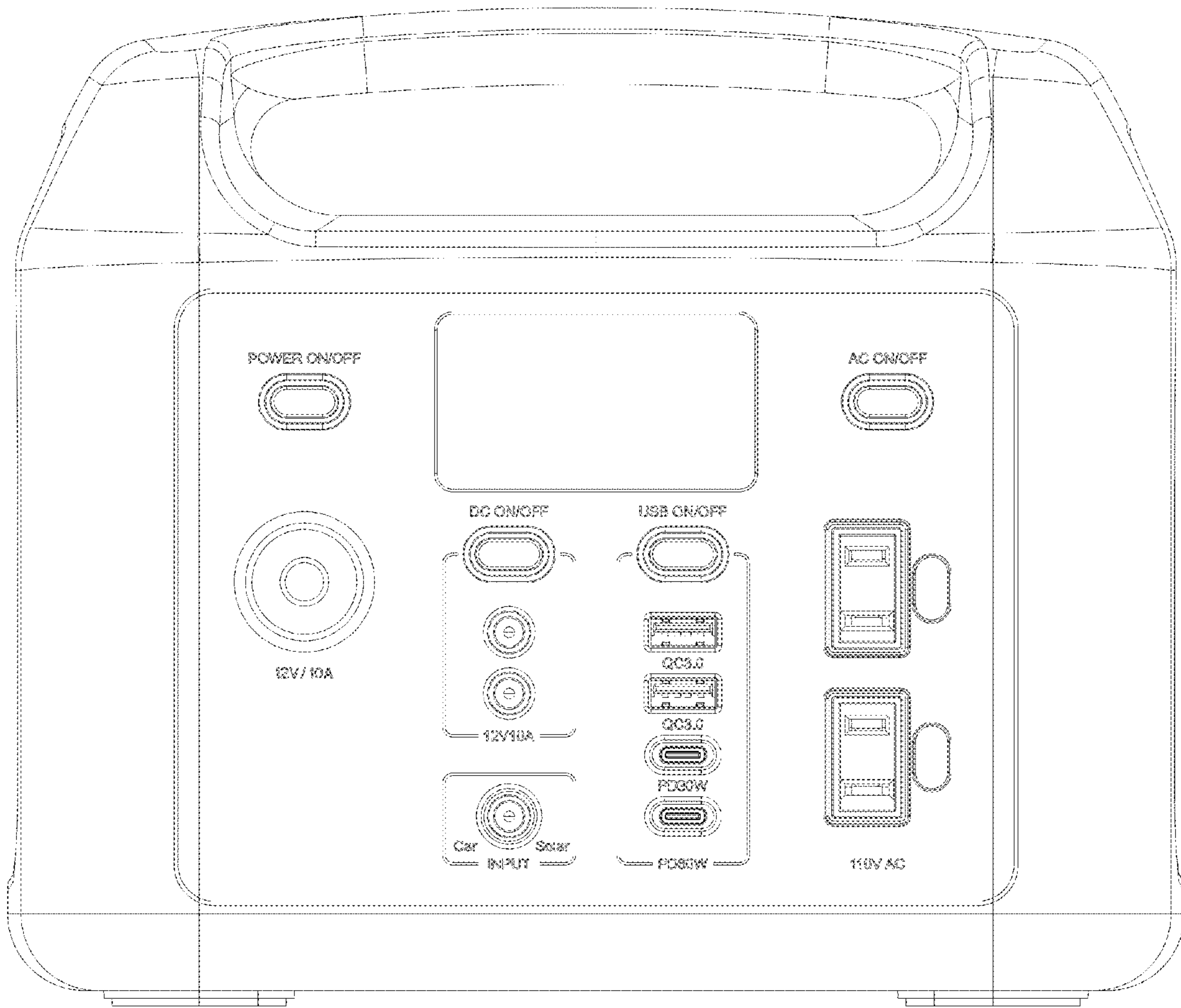


FIG. 2

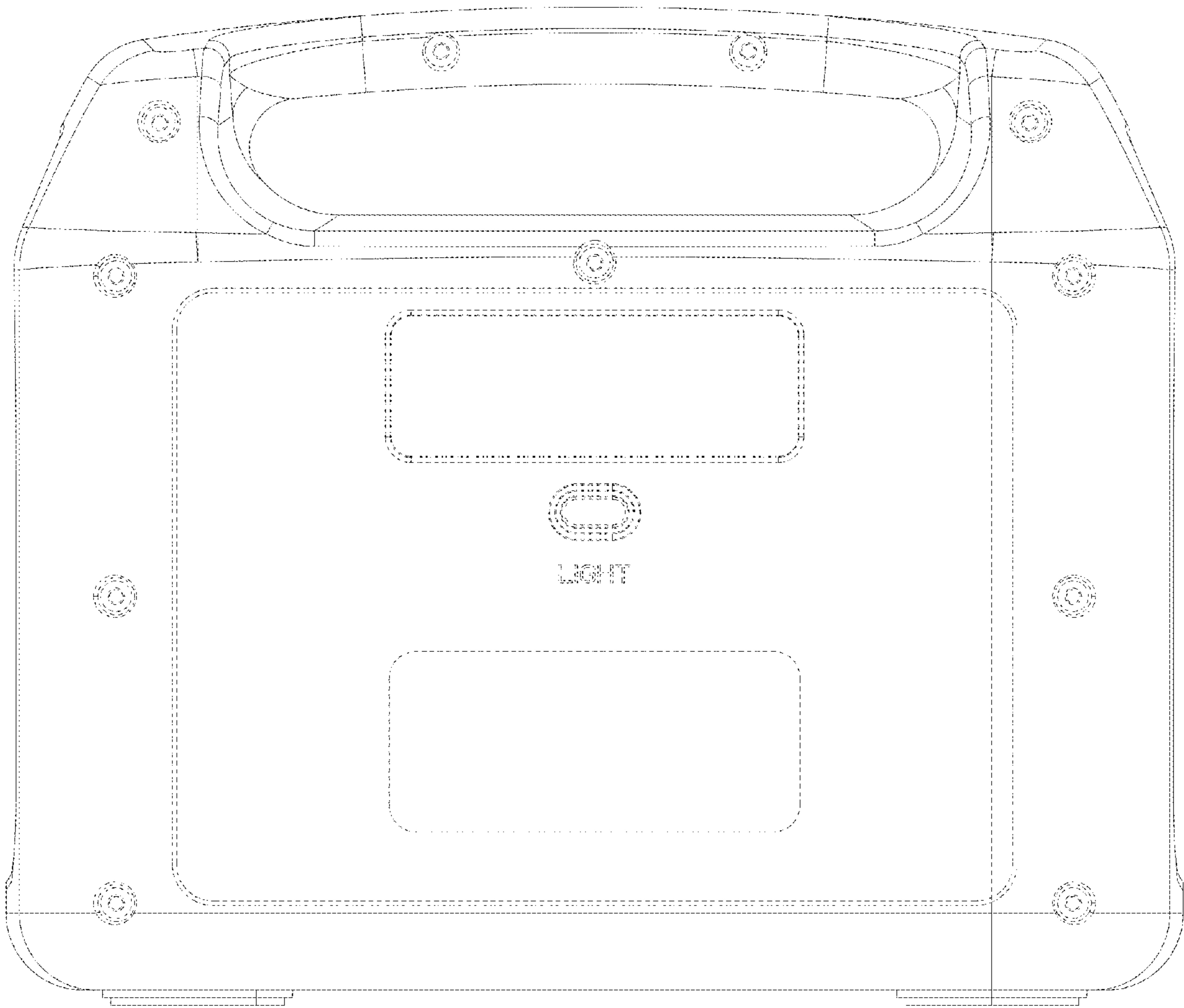


FIG. 3

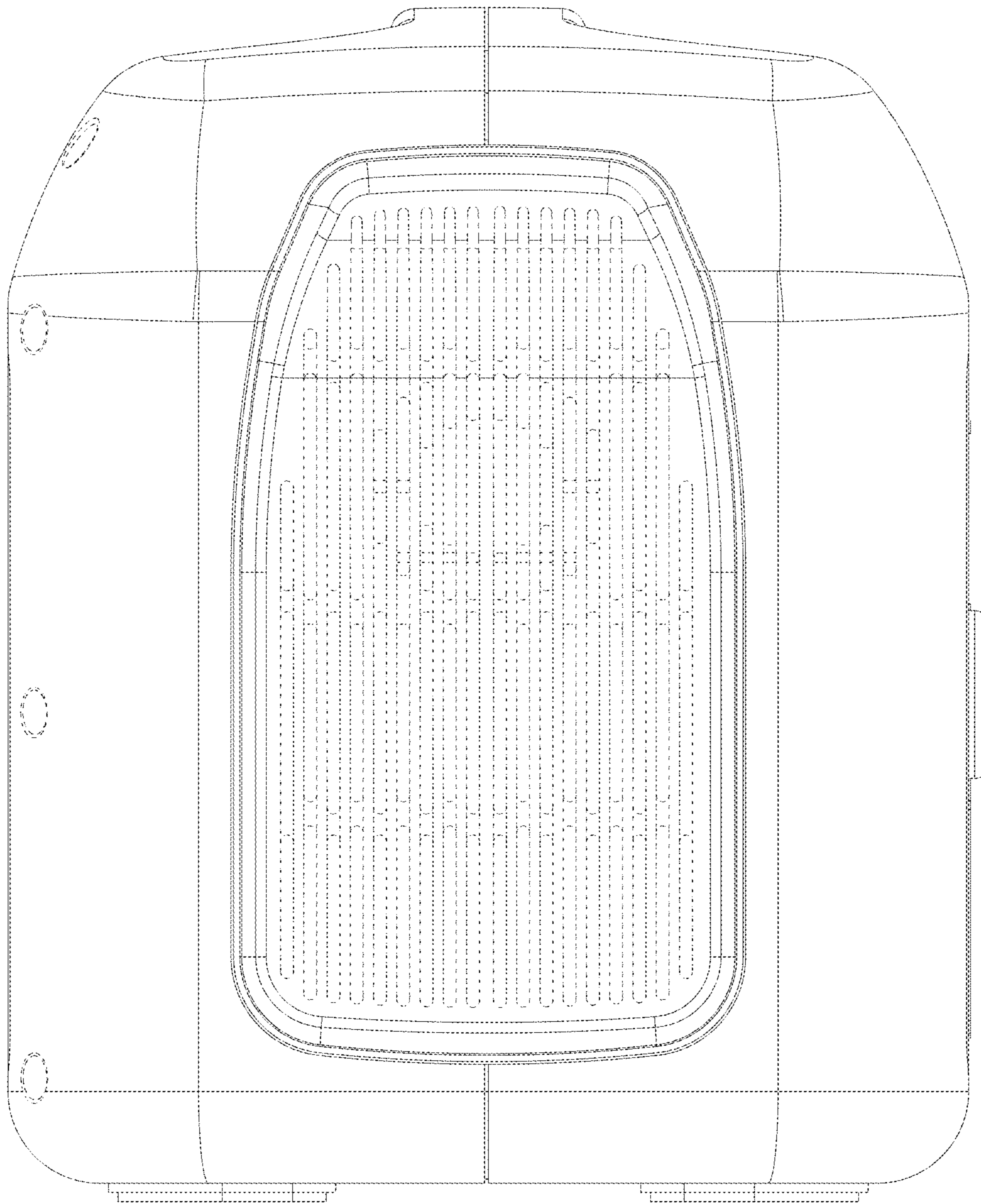


FIG. 4

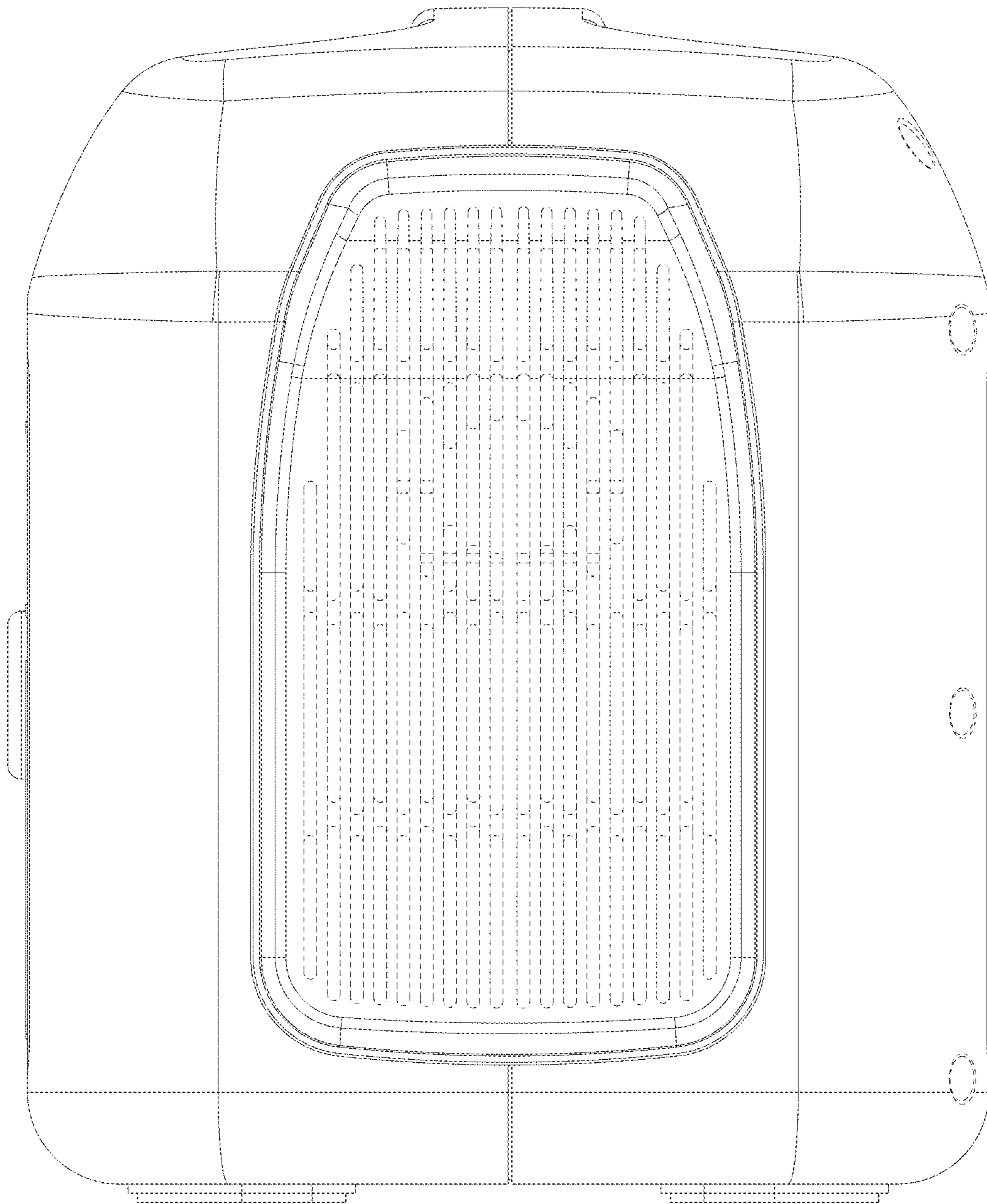


FIG. 5

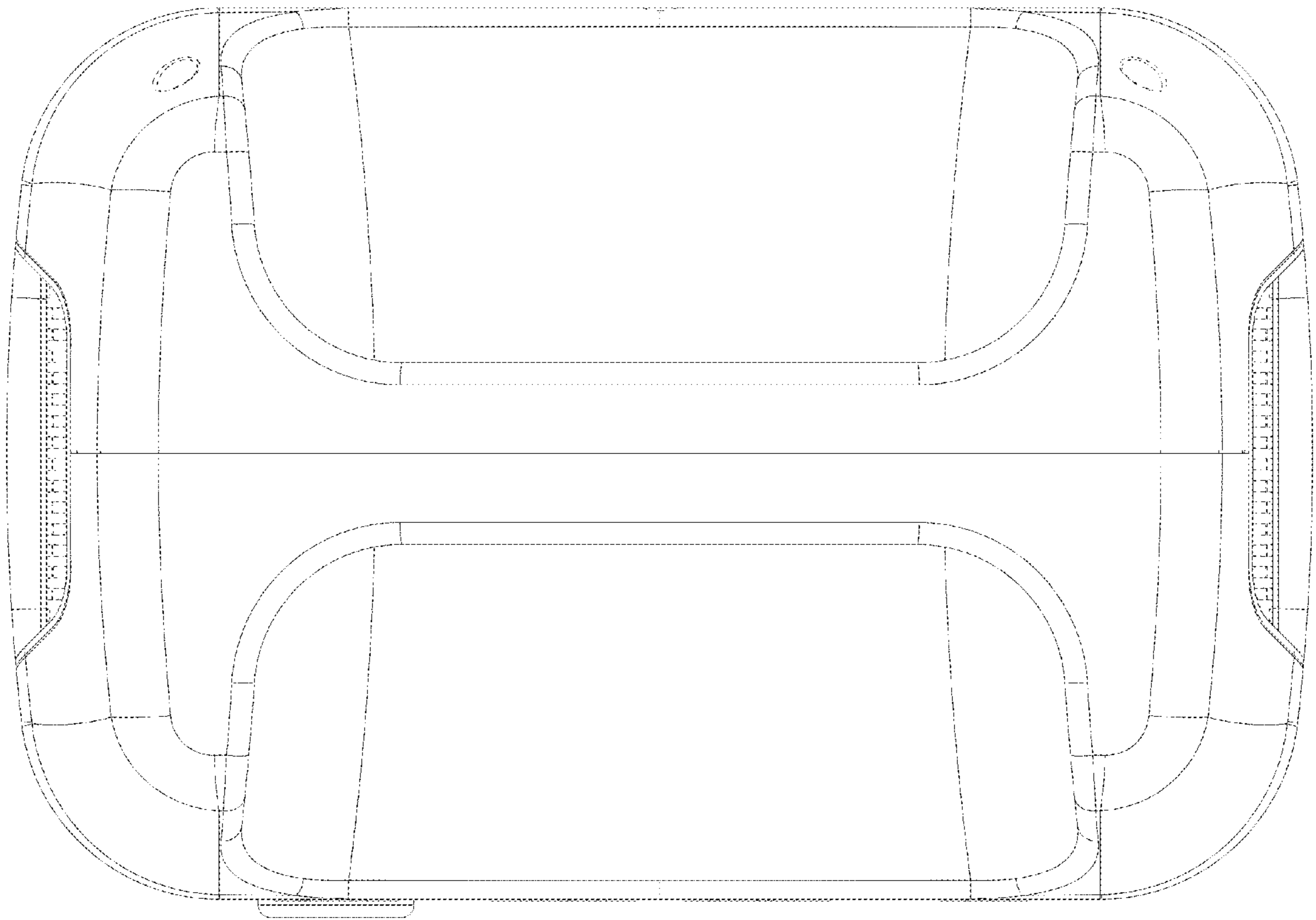


FIG. 6

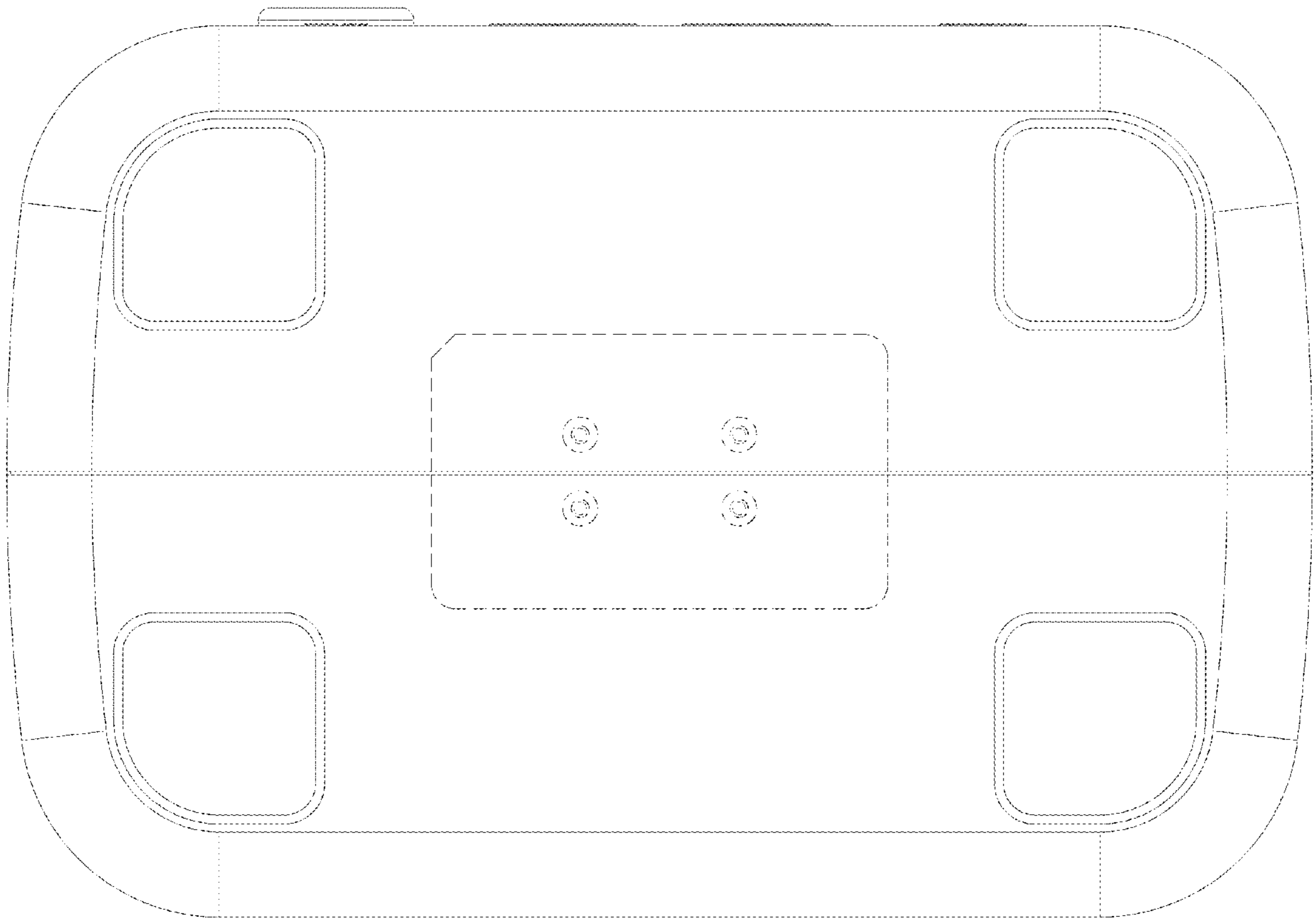


FIG. 7