



US00D971823S

(12) **United States Design Patent** (10) **Patent No.:** **US D971,823 S**
Chen (45) **Date of Patent:** **** Dec. 6, 2022**

(54) **RECHARGEABLE BATTERY**

OTHER PUBLICATIONS

(71) Applicant: **Huiyu Chen**, Guangdong (CN)

Rechargeable Batteries. (Design—© Questel) orbit.com. [Online PDF compilation of references] 56 pgs. Print Dates Range Mar. 23, 2021-Oct. 17, 2017 [Retrieved Jun. 10, 2022].*

(72) Inventor: **Huiyu Chen**, Guangdong (CN)

Lithium Ion High Performance Battery. Before Dec. 2021. Ryobi. <https://www.ryobitools.com/products/details/33287195114>.*

(**) Term: **15 Years**

CH2100 56 Volt Lithium ion Standard Charger. Before Jul. 20, 2016. Amazon. https://www.amazon.com/EGO-Power-Lithium-ion-Standard-Equipment/dp/B0102QSG6/ref=psdc_13638731011_t5_B07STXP8LQ.*

(21) Appl. No.: **29/772,422**

Greenworks 40V 2Ah Lithium Ion Battery. Before Apr. 23, 2018. Amazon. https://www.amazon.com/Greenworks-40V-Lithium-Battery-29462/dp/B00AW72XFQ/ref=asc_df_B00AW72XFQ/?tag=hyprod-20&linkCode=df0&hvadid=196276925246&hvpos=&hvnetw=g&hvrnd=7448546037536119654&hvpone=&hvptwo=&hvqmt=&hvdev=c&hvdvcmdl=&hvlocint=&hvlocphy.*

(22) Filed: **Mar. 1, 2021**

(51) **LOC (13) Cl.** **13-02**

(52) **U.S. Cl.**
USPC **D13/103**

(58) **Field of Classification Search**
USPC D13/102, 103, 104, 105, 106, 110, 118, 119, 184, 199
CPC .. H01M 10/05; H01M 10/052; H01M 10/054; H01M 10/425; H01M 10/48; H01M 10/486; H01M 50/249; H01M 2220/30; H01M 2250/30

See application file for complete search history.

* cited by examiner

Primary Examiner — George D. Kirschbaum

Assistant Examiner — Suzanne E Tisdell

(56) **References Cited**

(57) **CLAIM**

The ornamental design for a rechargeable battery, as shown.

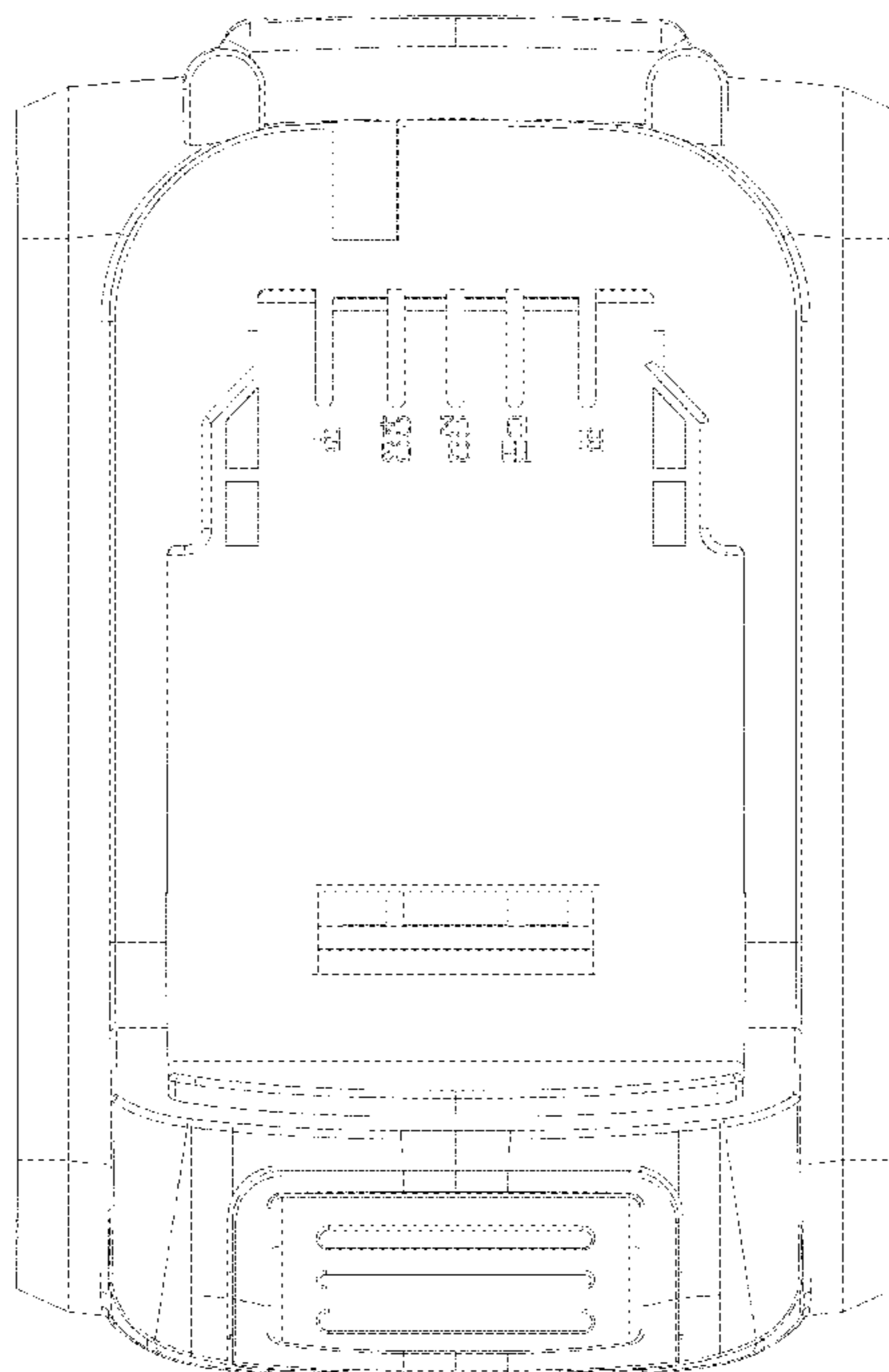
U.S. PATENT DOCUMENTS

DESCRIPTION

D510,722 S	*	10/2005	Kosiba	D13/103
D639,730 S	*	6/2011	Kawase	D13/103
D938,903 S	*	12/2021	Miyake	D13/103
D941,752 S	*	1/2022	Luo	D13/103
D945,959 S	*	3/2022	Okuda	D13/103
D946,504 S	*	3/2022	Qiu	D13/103
D950,483 S	*	5/2022	Yrad, Jr.	D13/103
D951,860 S	*	5/2022	Forsberg	D13/103
D951,862 S	*	5/2022	Xia	D13/103
D952,552 S	*	5/2022	Forsberg	D13/103
D952,554 S	*	5/2022	Xu	D13/103
D953,253 S	*	5/2022	Cestonaro	D13/103
D953,258 S	*	5/2022	Ye	D13/103

FIG. 1 is a front elevational view of a rechargeable battery showing my new design;
FIG. 2 is a rear elevational view thereof;
FIG. 3 is a left side view thereof;
FIG. 4 is a right side view thereof;
FIG. 5 is a top plan view thereof;
FIG. 6 is a bottom plan view thereof;
FIG. 7 is a perspective view thereof; and,
FIG. 8 is another perspective view thereof.

1 Claim, 8 Drawing Sheets



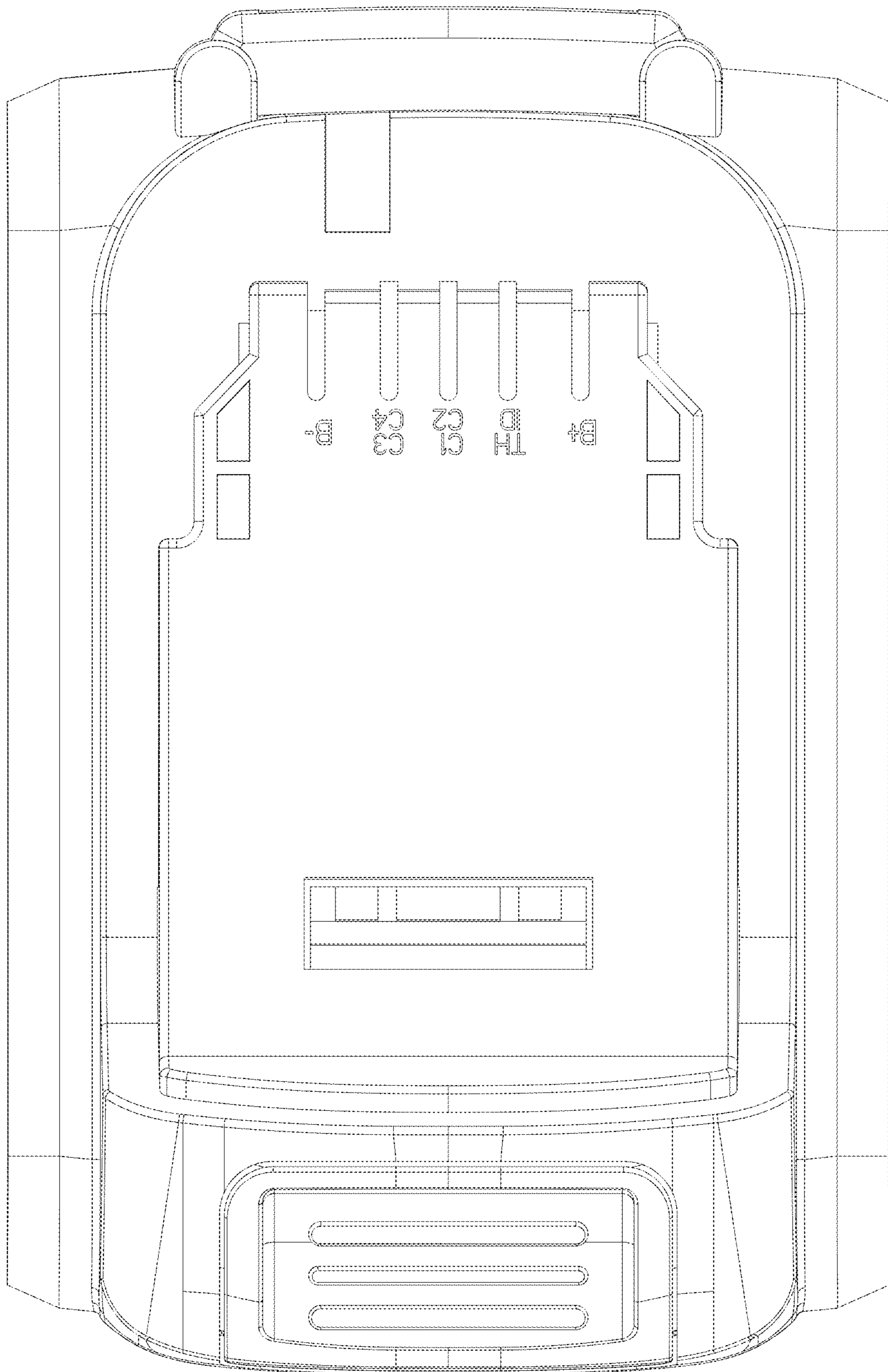


FIG. 1

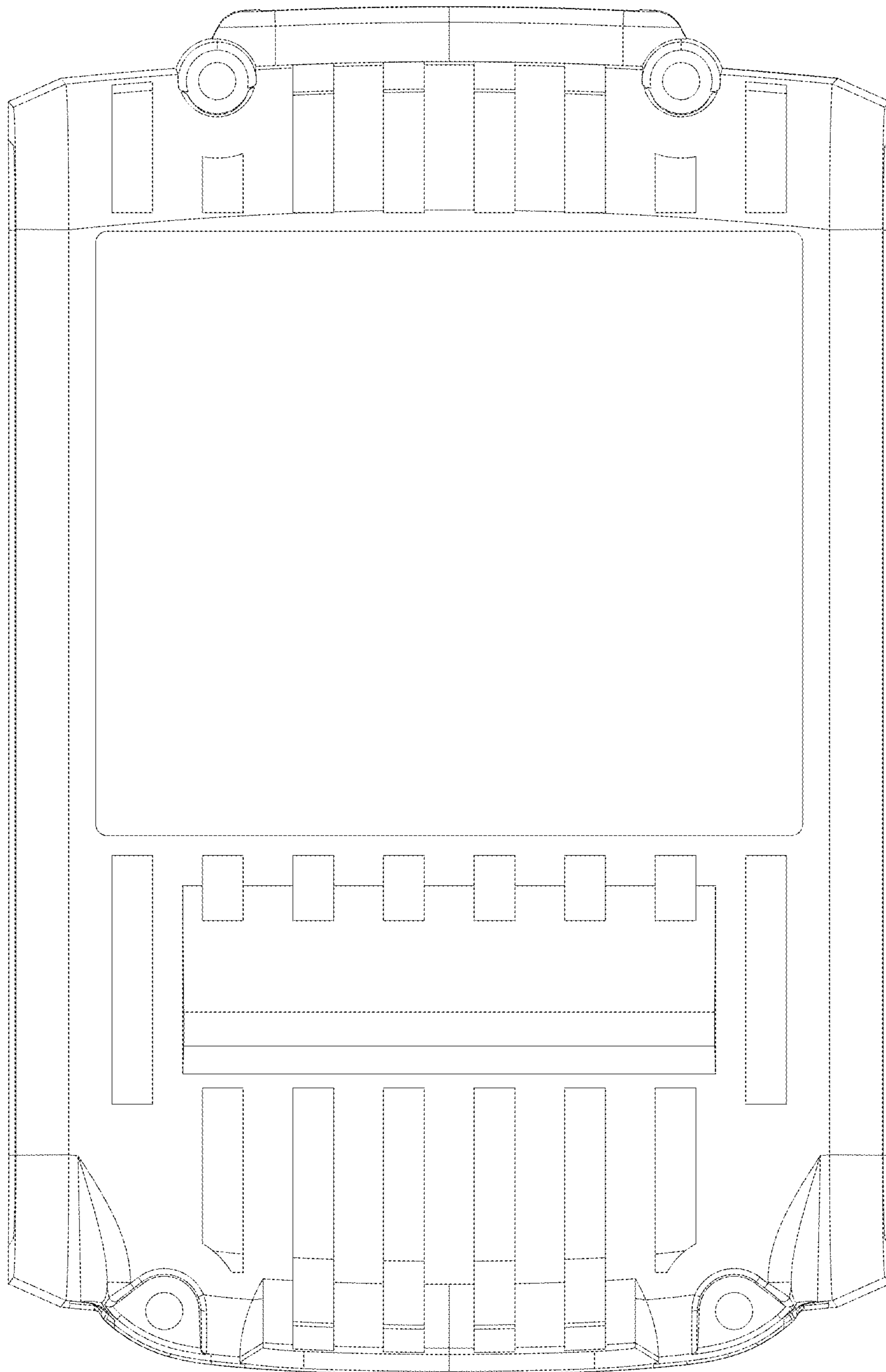


FIG. 2

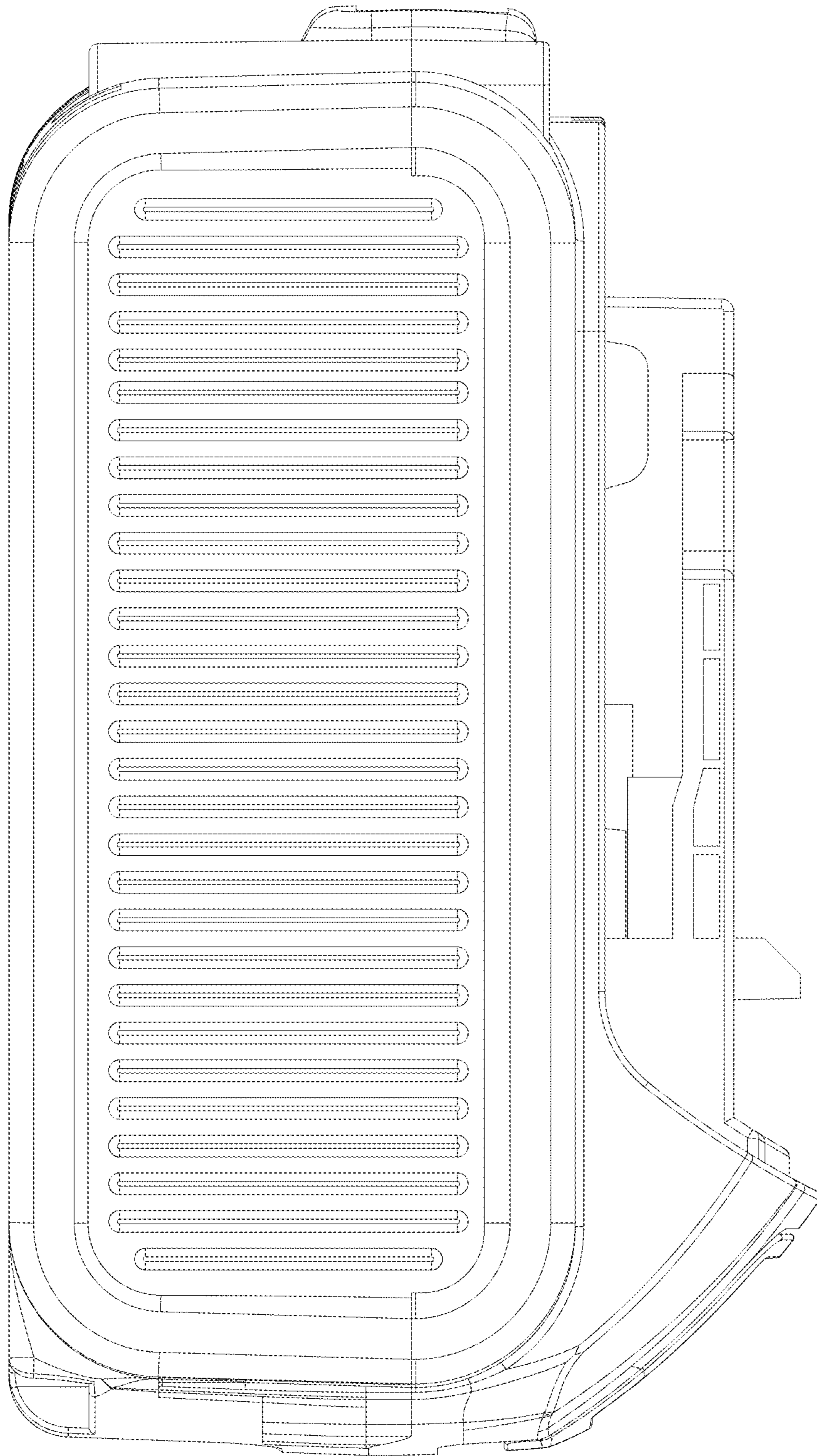


FIG. 3

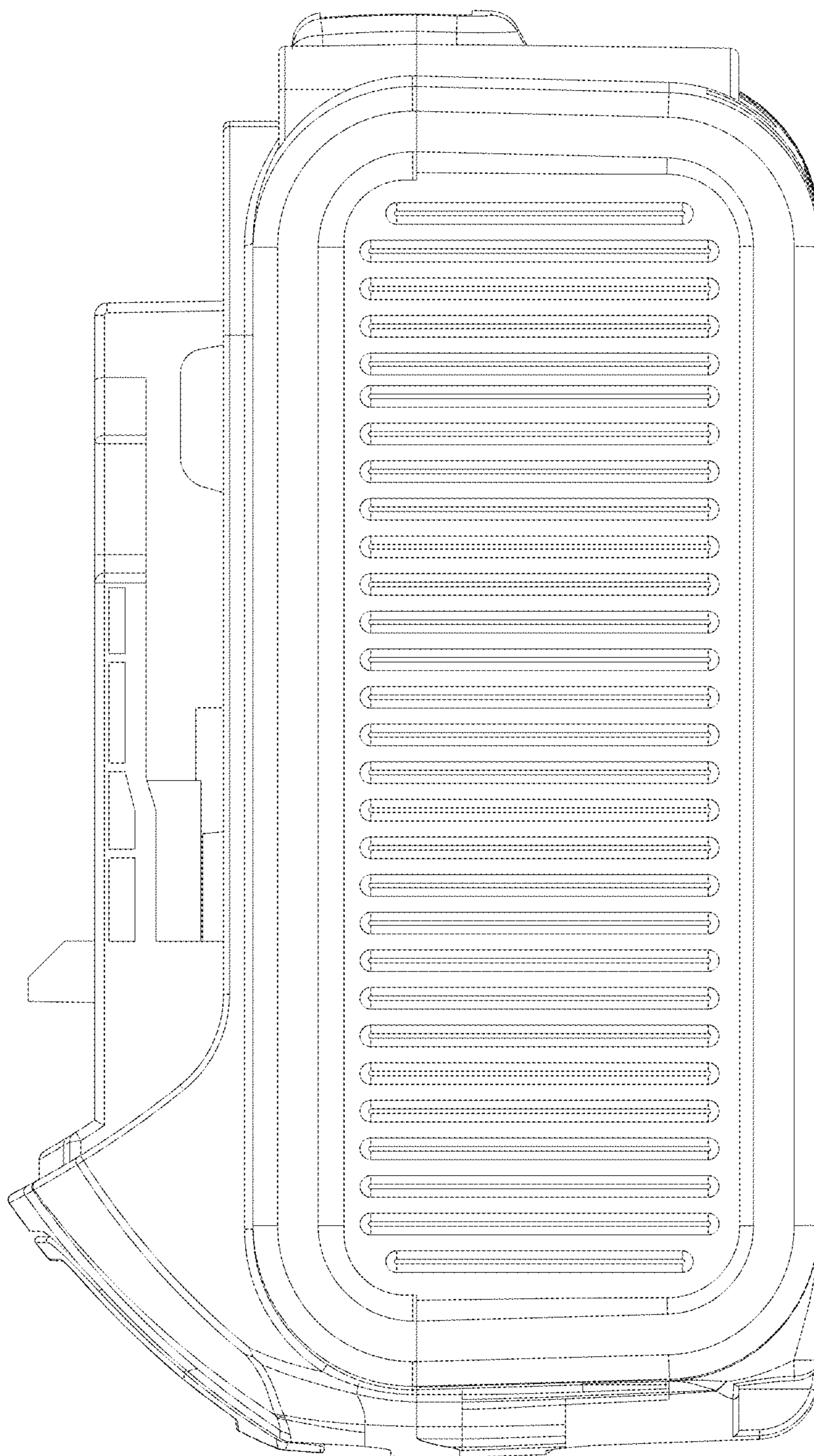


FIG. 4

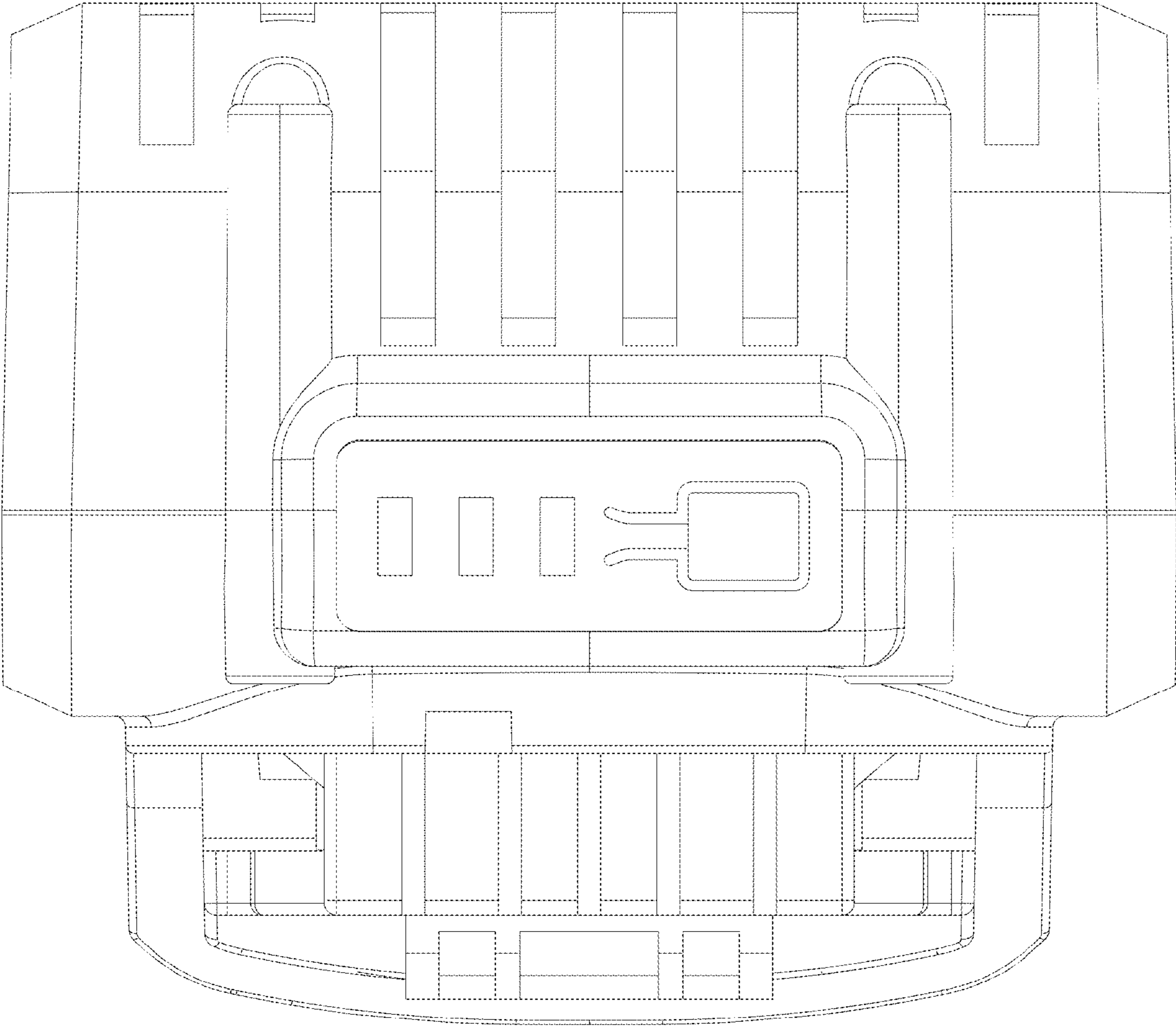


FIG. 5

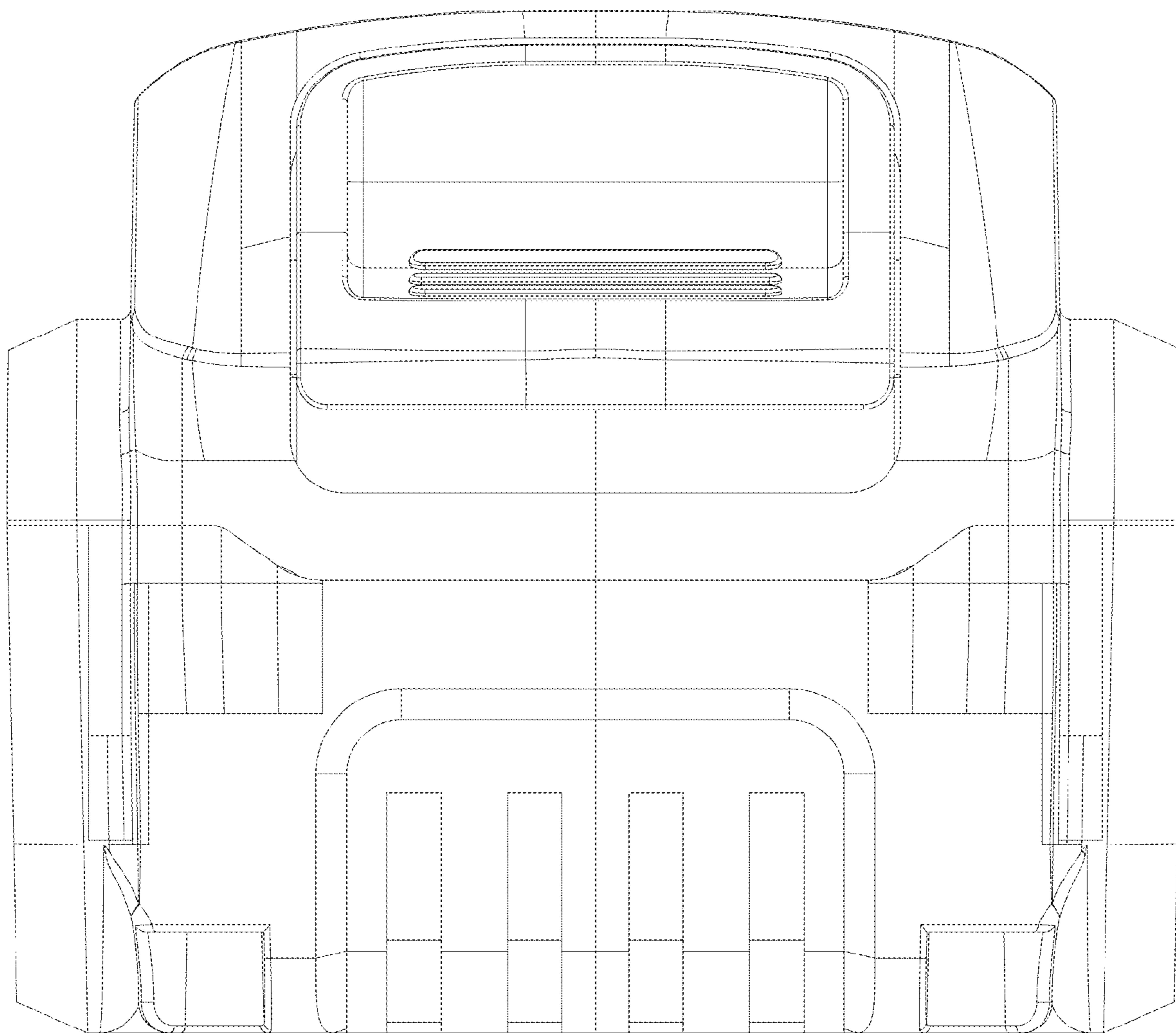


FIG. 6

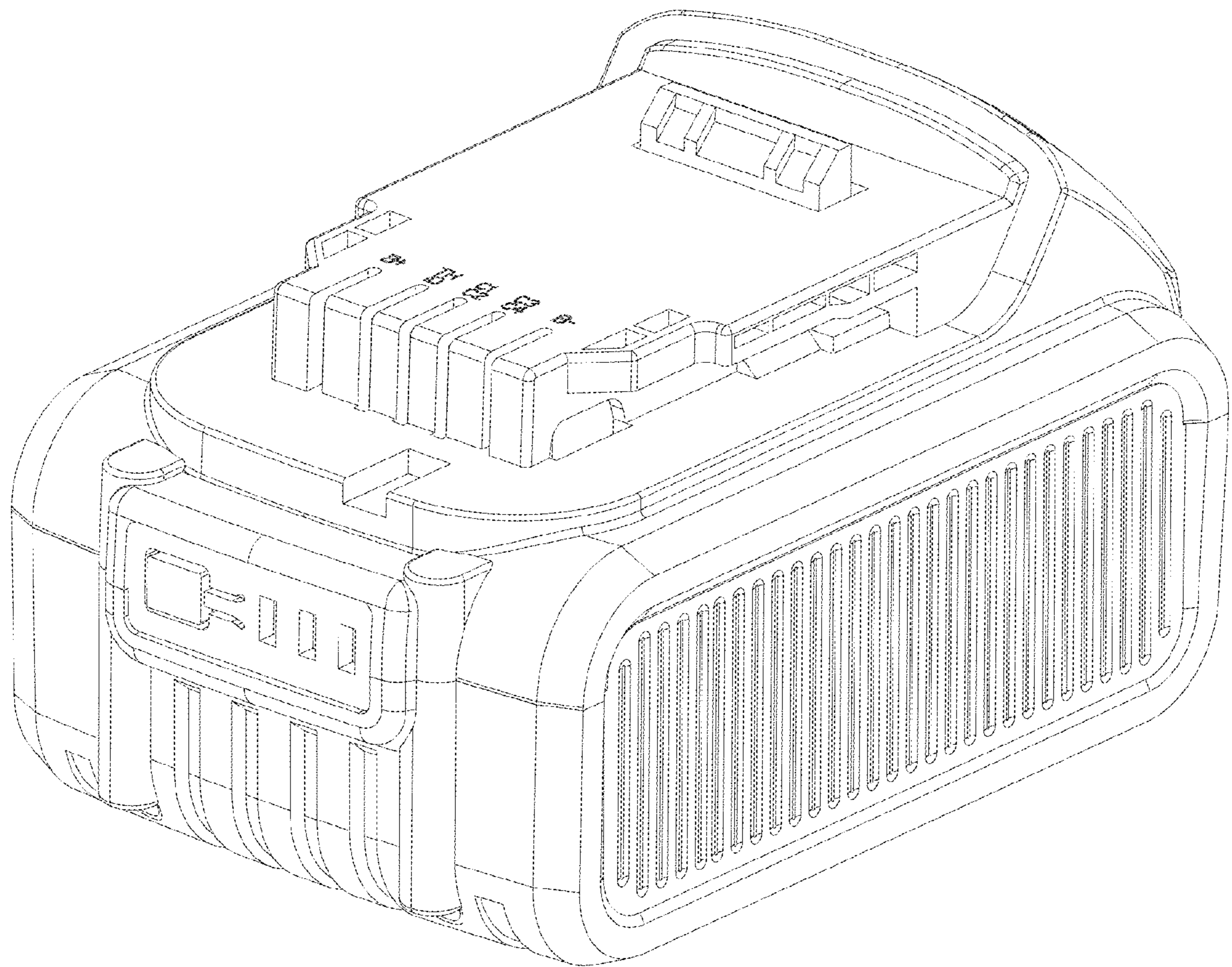


FIG. 7

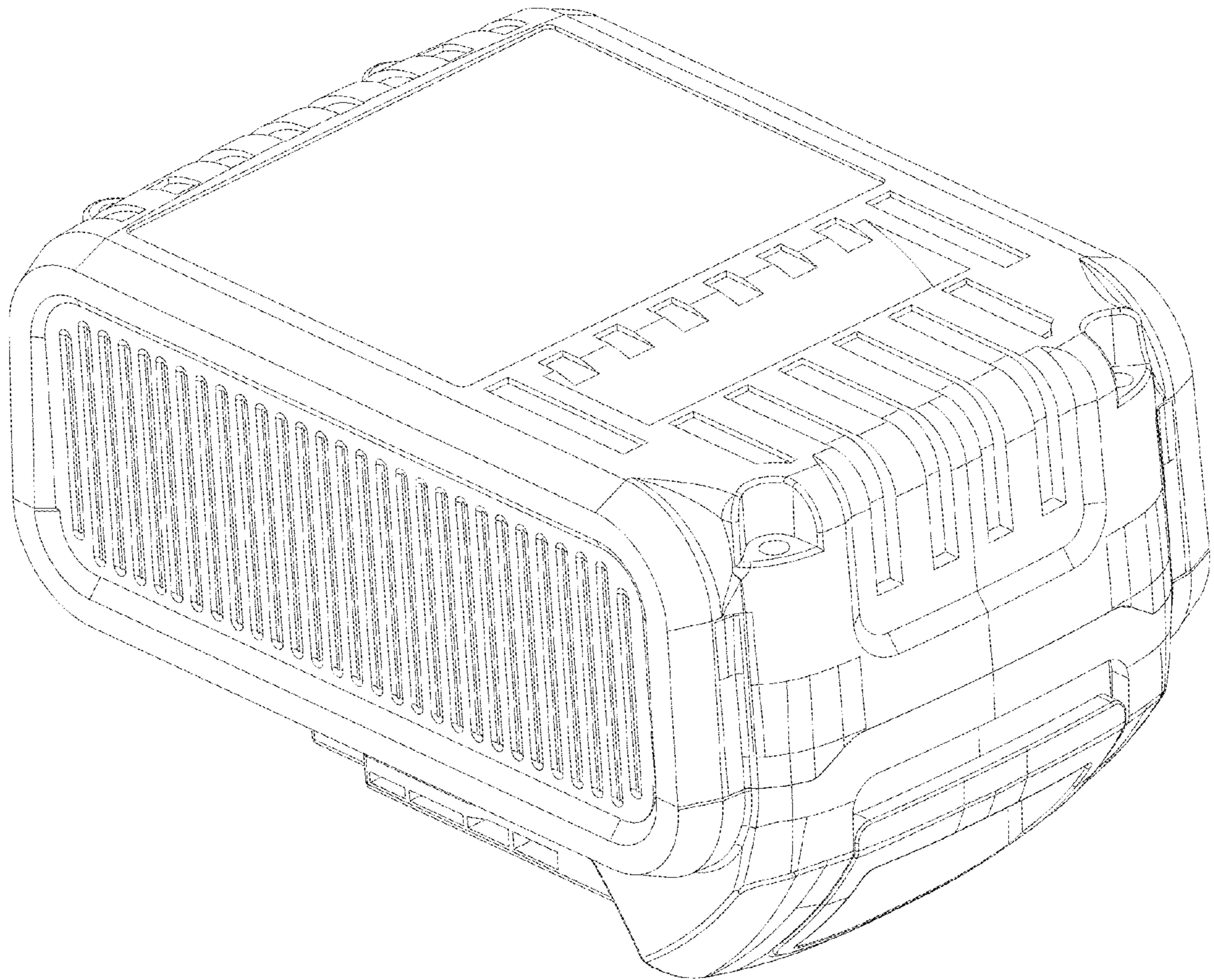


FIG. 8