



US00D971820S

(12) **United States Design Patent** (10) **Patent No.:** **US D971,820 S**
Wen (45) **Date of Patent:** **** Dec. 6, 2022**

(54) **SOLAR PANEL**

(71) Applicant: **Shenzhen Lianli Solar Energy Co., Ltd., Shenzhen (CN)**

(72) Inventor: **Liyu Wen, Wuhua (CN)**

(**) Term: **15 Years**

(21) Appl. No.: **29/792,915**

(22) Filed: **Apr. 29, 2022**

(30) **Foreign Application Priority Data**

Apr. 2, 2022 (CN) 202230184394.6

(51) **LOC (13) Cl.** **13-02**

(52) **U.S. Cl.**
USPC **D13/102**

(58) **Field of Classification Search**
USPC D13/102, 101, 103, 107, 108, 110, 118, D13/184, 199
CPC H01L 31/00; H01L 31/18; H01L 31/042; H01L 31/045; H01L 31/048; H01L 31/052; H01L 31/054; H01L 31/0475; H01L 31/0485; H01M 10/052; H01M 10/465; H02S 30/10; H02S 30/20; H02S 10/40; H02S 40/42; Y02E 10/50; Y02E 10/52; Y10S 136/291; Y10S 136/293; H02J 7/355; G06F 1/1628; F21S 8/006; F21V 21/06; F21V 21/12
See application file for complete search history.

(56) **References Cited**

U.S. PATENT DOCUMENTS

D776,050 S	*	1/2017	Awad	D13/102
D814,400 S	*	4/2018	Cheung	D13/102
D817,265 S	*	5/2018	Liu	D13/102
D830,296 S	*	10/2018	Liu	D13/102
D862,381 S	*	10/2019	Wang	D13/102
D917,380 S	*	4/2021	Gao	D13/102
D931,796 S	*	9/2021	Huang	D13/102

D933,585 S	10/2021	Morad et al.	
D934,158 S	10/2021	Morad et al.	
D940,064 S	1/2022	Wen	
2013/0240015 A1*	9/2013	Chaimovski H02S 30/20 136/245
2016/0173026 A1*	6/2016	Goei H02S 20/30 136/245

OTHER PUBLICATIONS

https://www.amazon.com/EF-ECOFLOW-Generator-High-Power-Appliances/dp/B08X4HZ1FT/ref=psdc_552808_t1_B08R5JWL74 Feb. 22, 2021 (Year: 2021).*

* cited by examiner

Primary Examiner — Derrick E Holland

(74) *Attorney, Agent, or Firm* — Rumit R. Kanakia

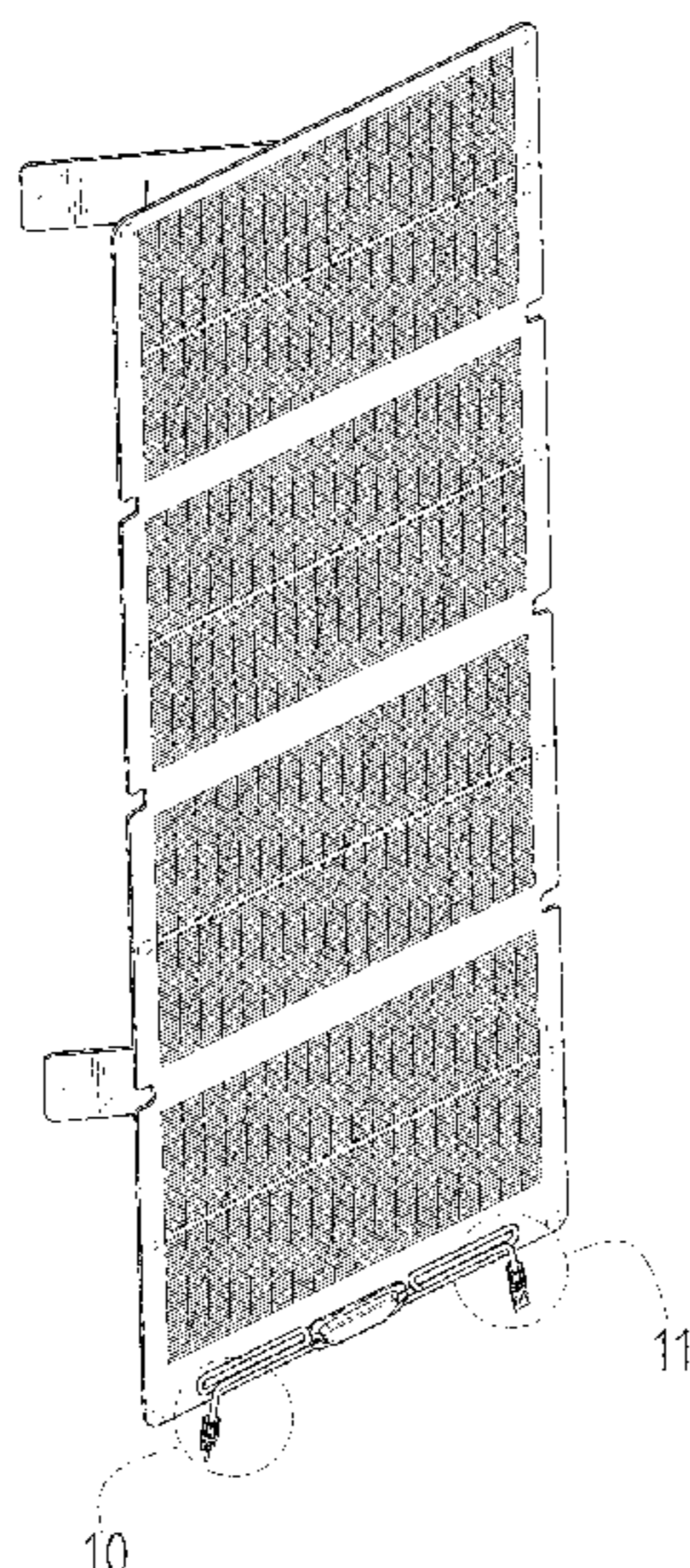
(57) **CLAIM**

The ornamental design for a solar panel, as shown and described.

DESCRIPTION

FIG. 1 is a first perspective view of a solar panel showing my new design;
FIG. 2 is a second perspective view thereof;
FIG. 3 is a front view thereof;
FIG. 4 is a back view thereof;
FIG. 5 is a left side view thereof;
FIG. 6 is a right side view thereof;
FIG. 7 is a top view thereof;
FIG. 8 is a bottom view thereof;
FIG. 9 is a perspective view of another state of the solar panel thereof;
FIG. 10 is an enlarged view of the selected portion 10 in FIG. 1; and,
FIG. 11 is an enlarged view of the selected portion 11 in FIG. 1.
The broken lines shown in the drawings depict portions of the solar panel that form no part of the claimed design.

1 Claim, 11 Drawing Sheets



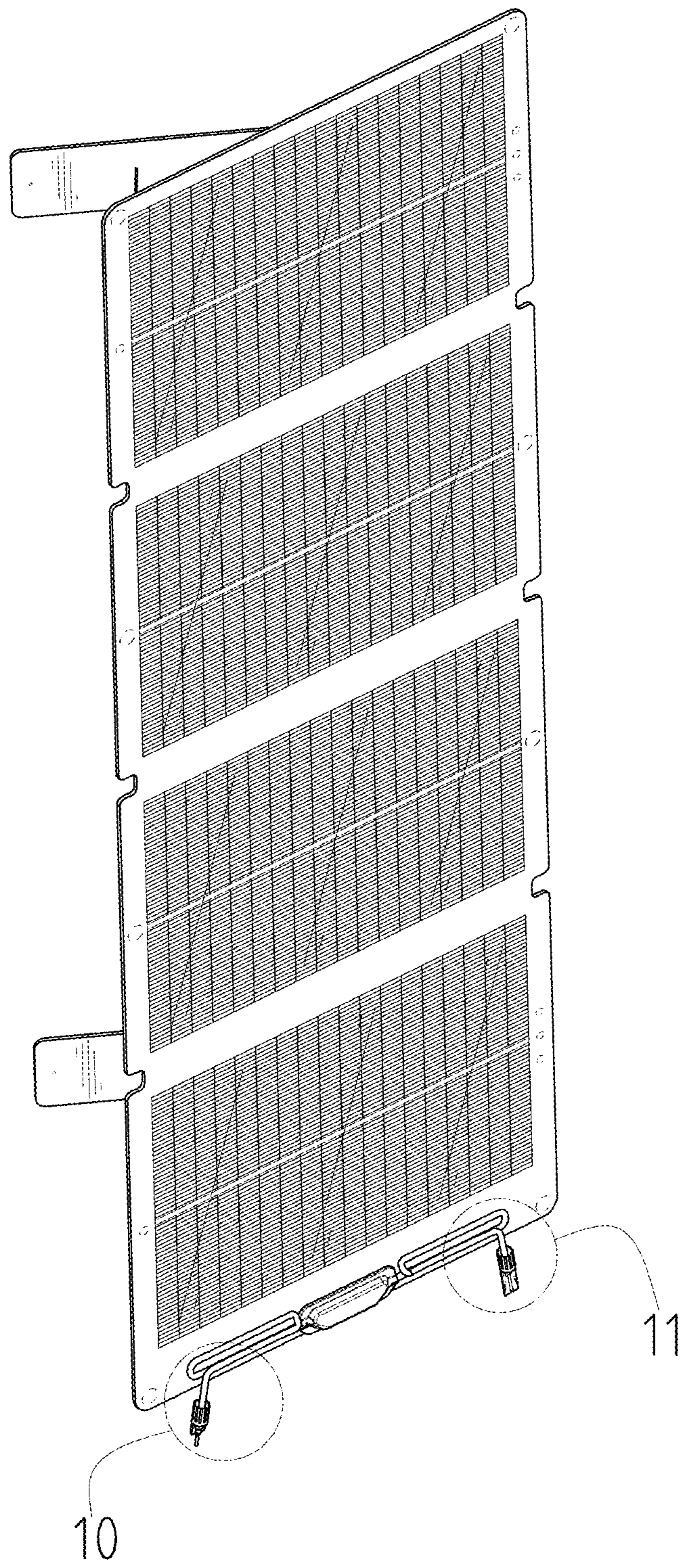


FIG. 1

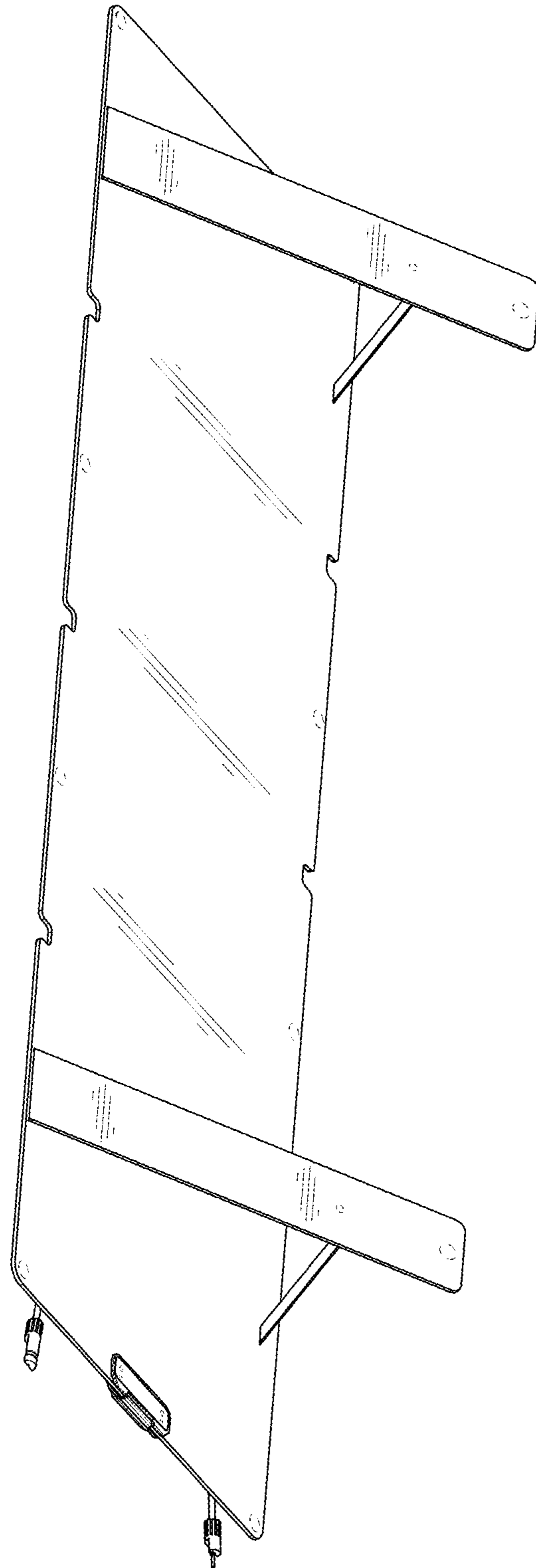


FIG. 2

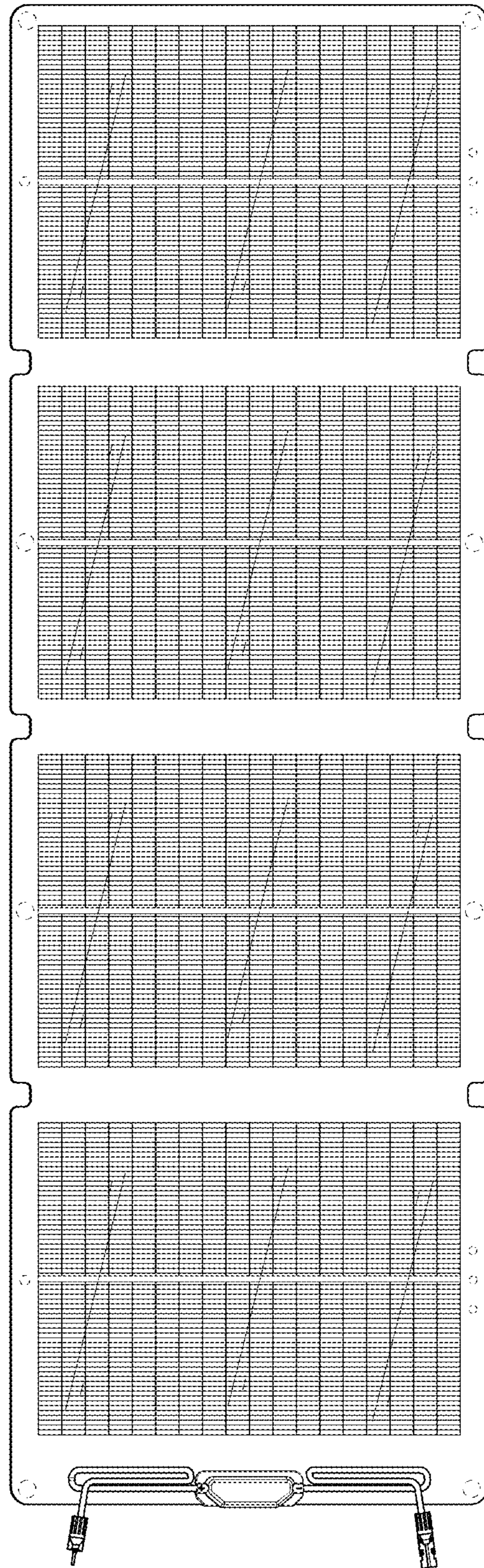


FIG. 3

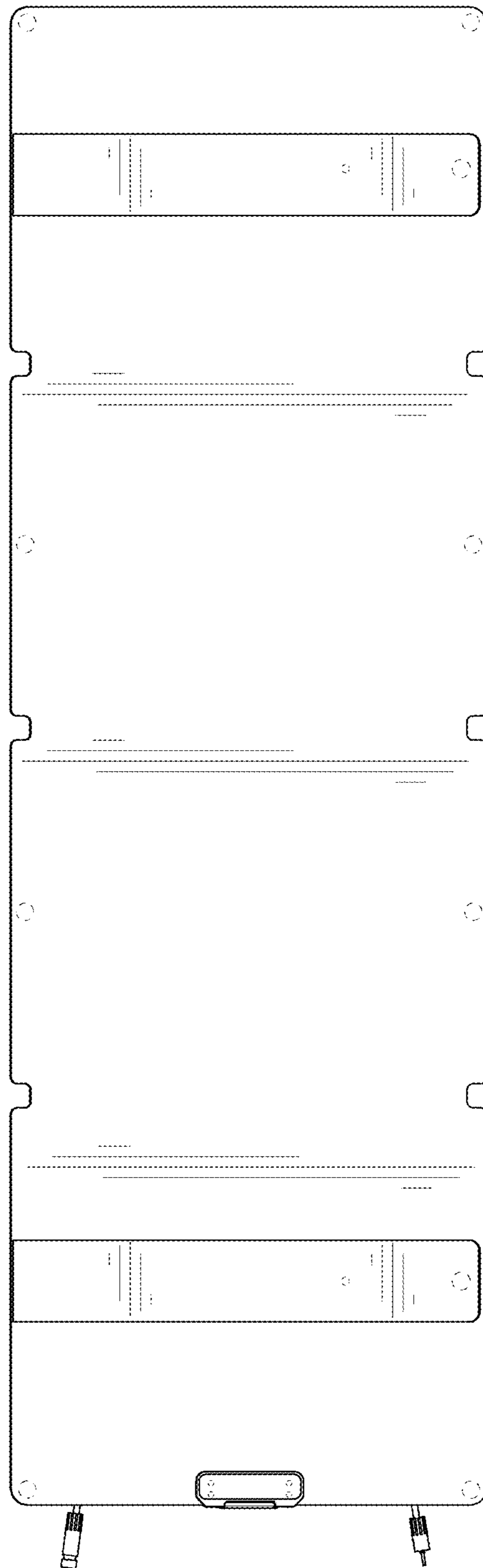


FIG. 4

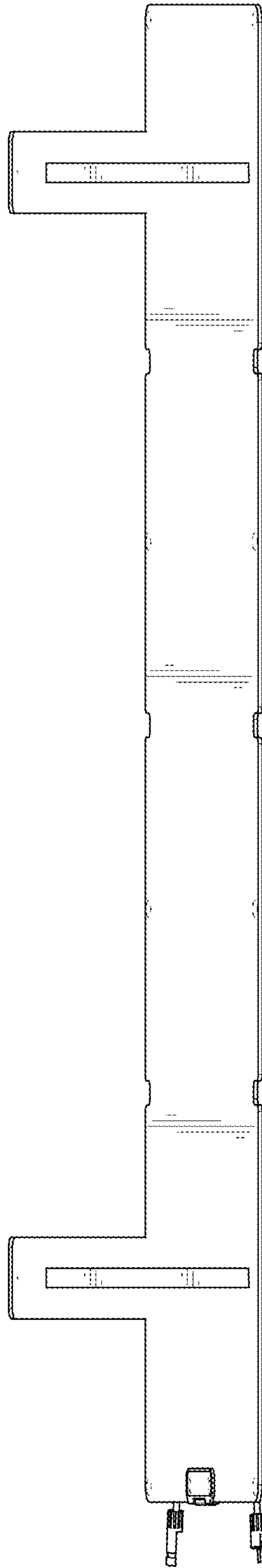


FIG. 5

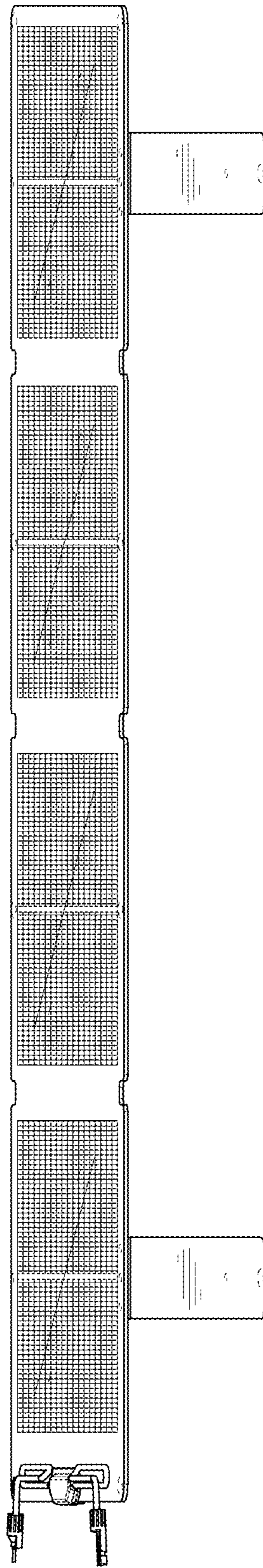


FIG. 6

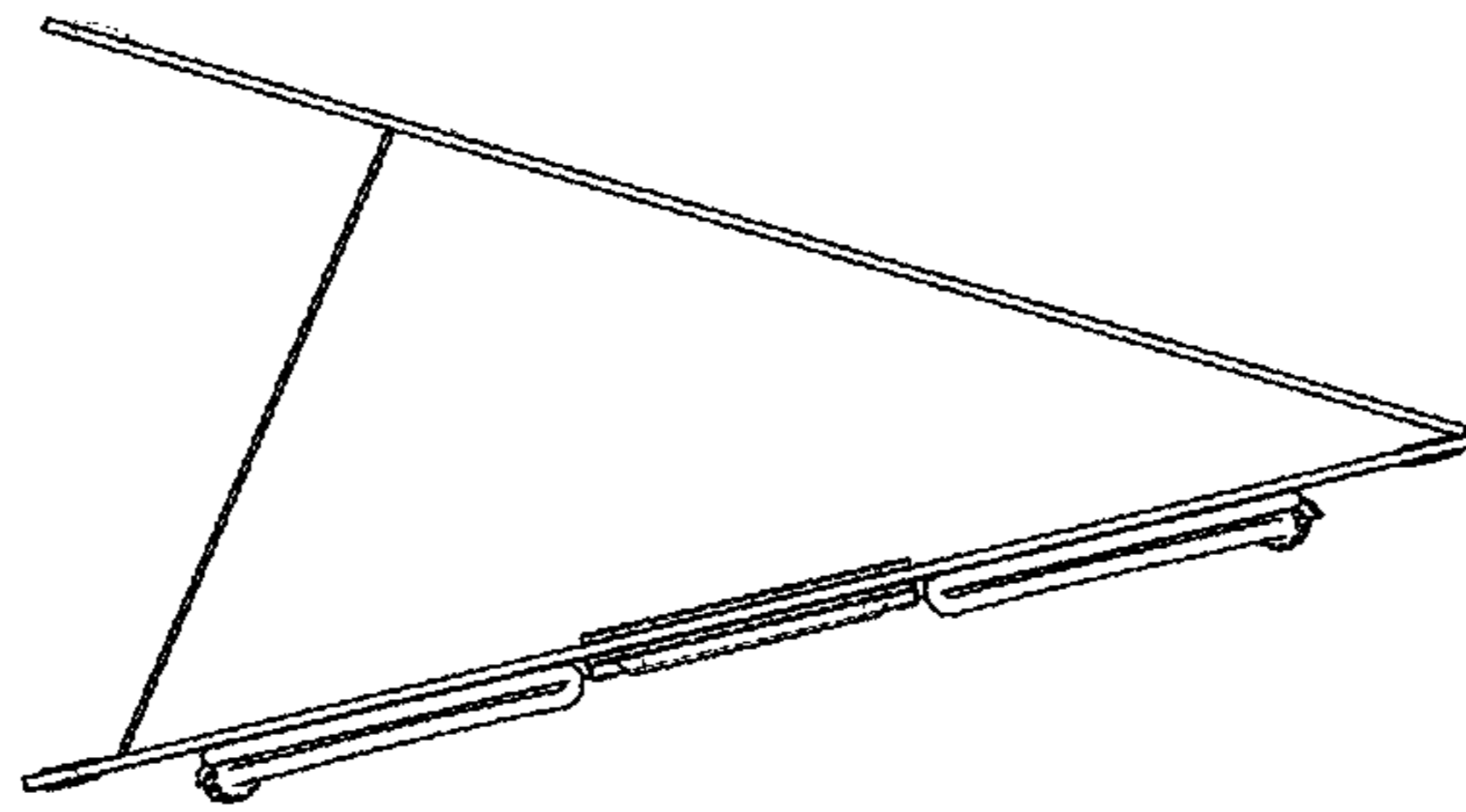


FIG. 7

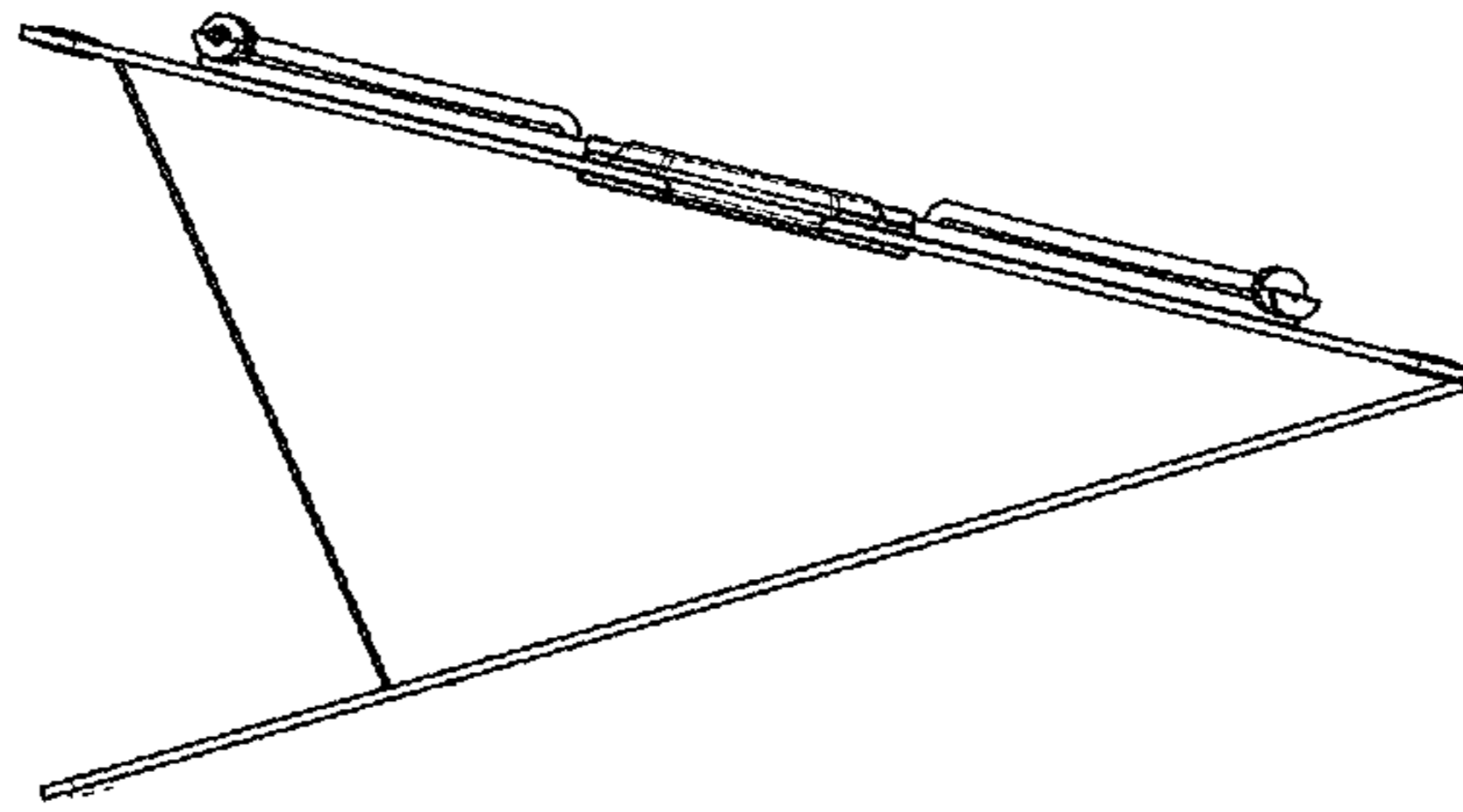


FIG. 8

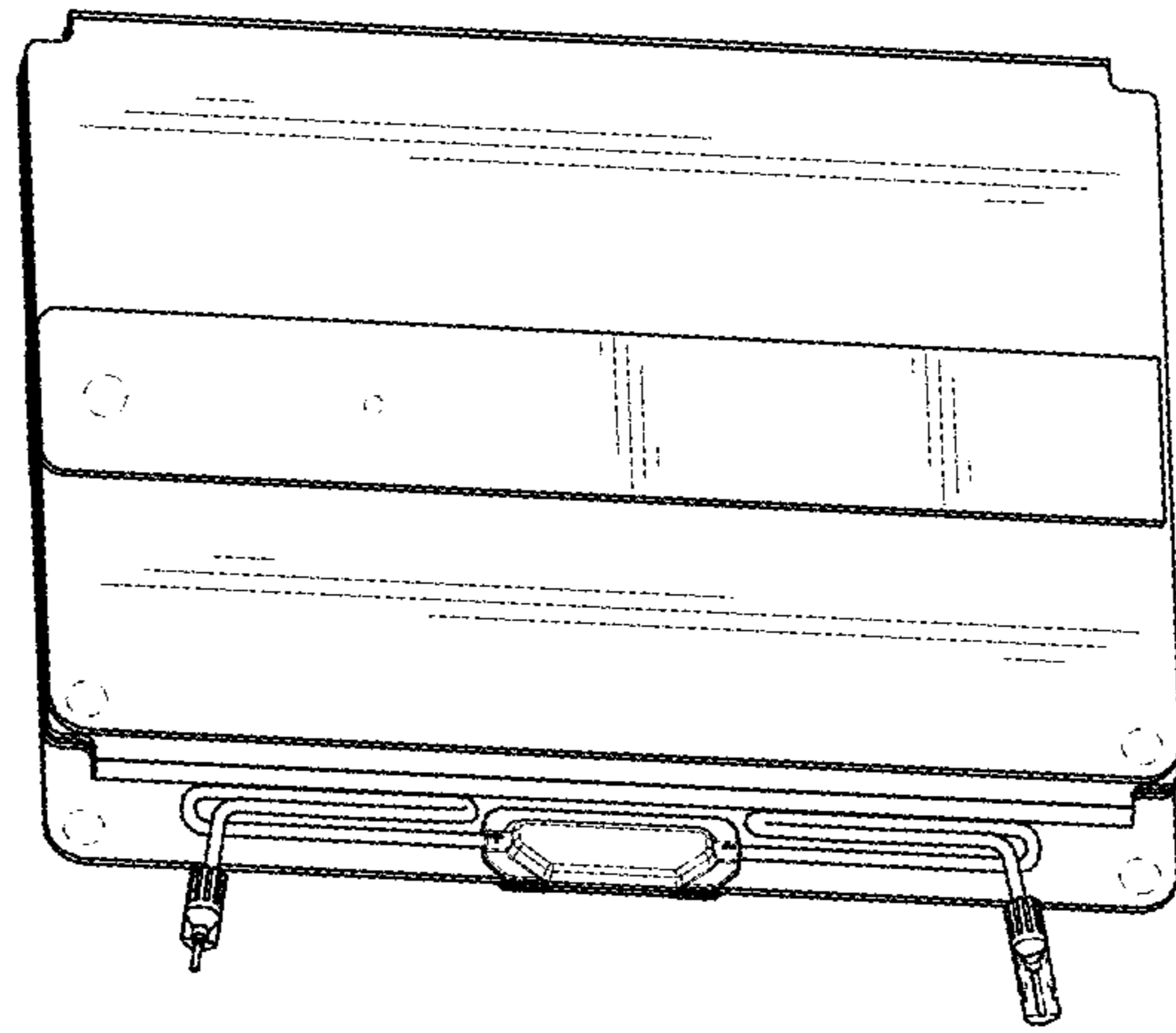


FIG. 9

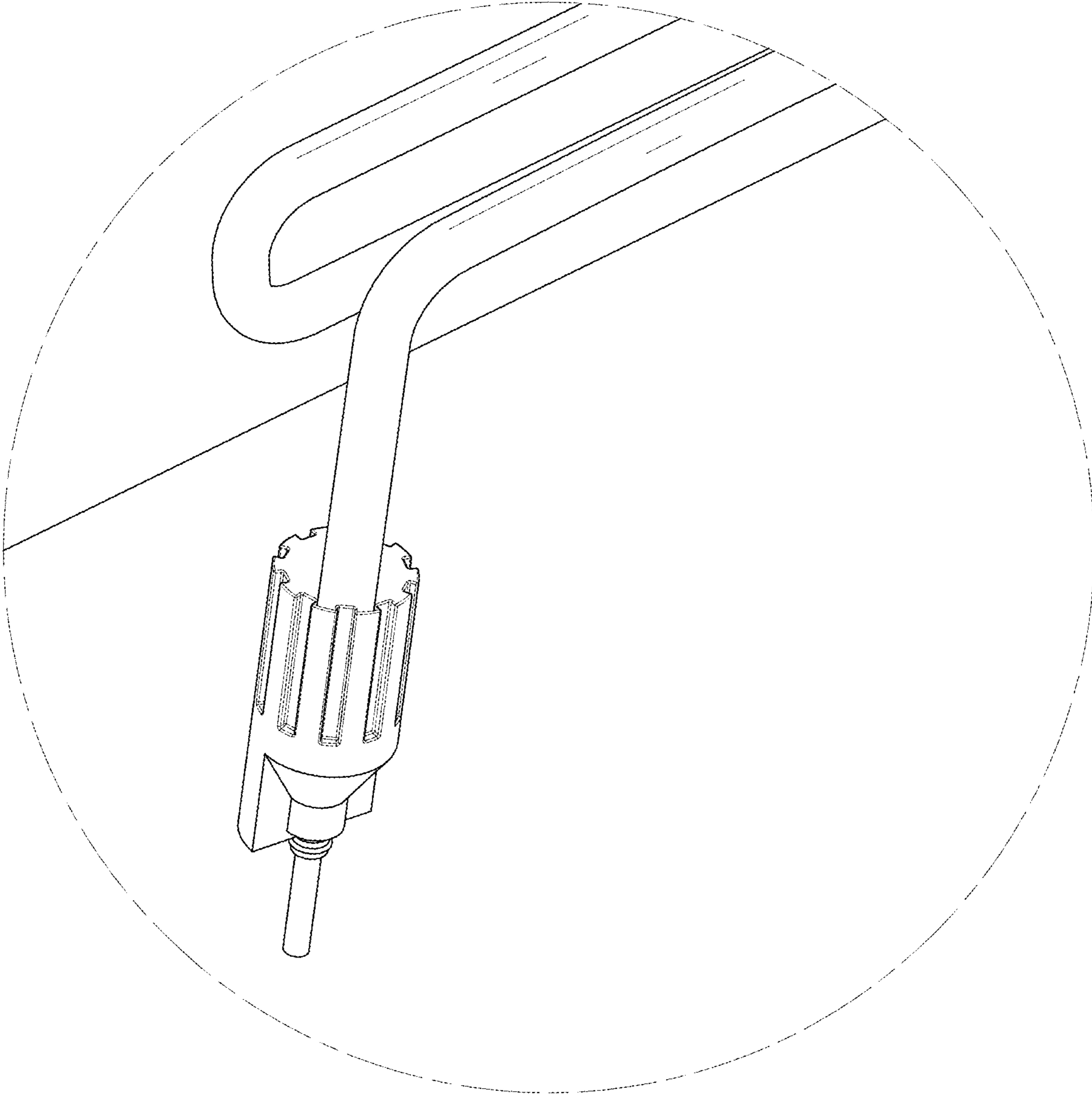


FIG. 10

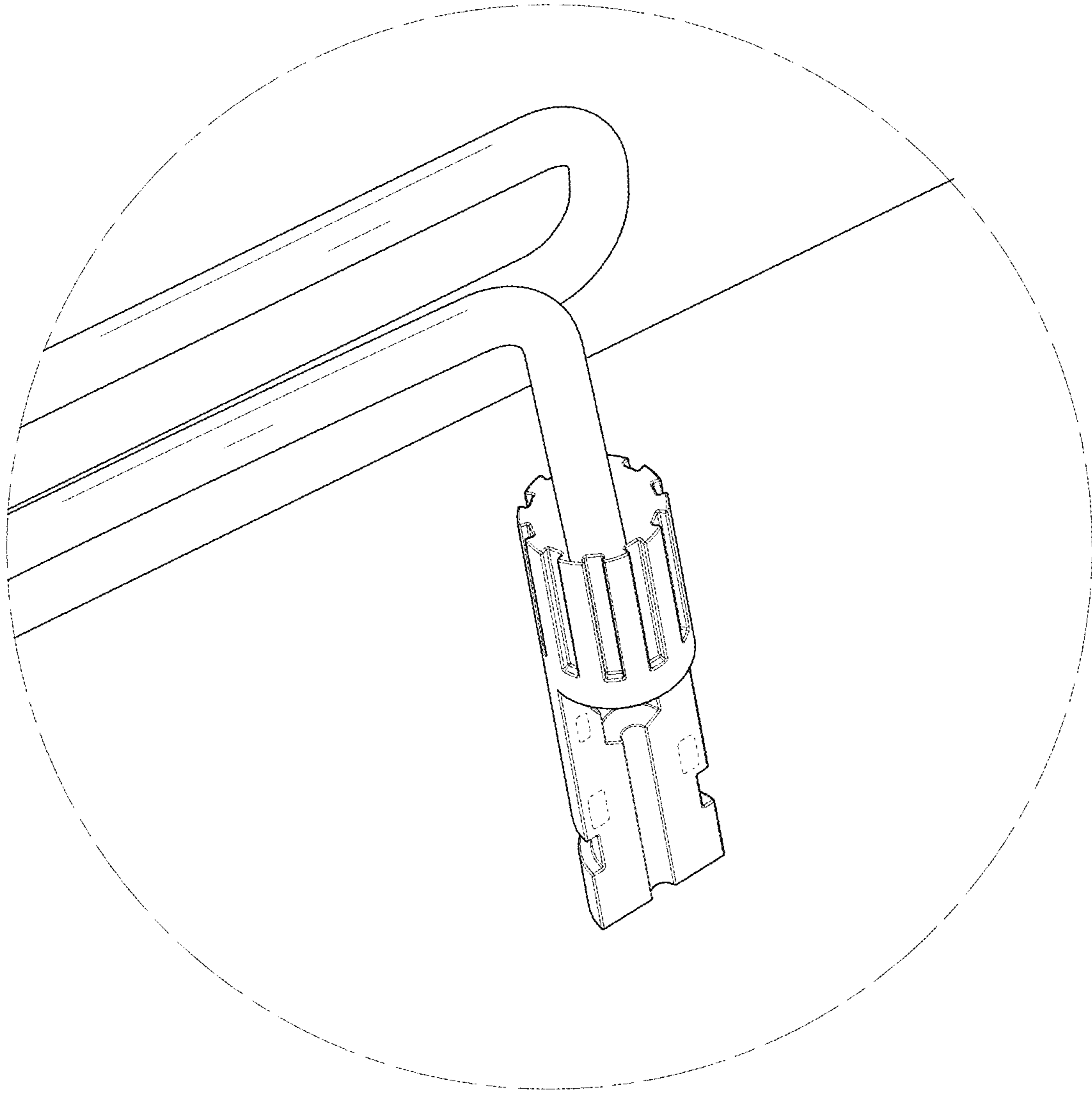


FIG. 11