

US00D971819S

(12) **United States Design Patent**
Li

(10) **Patent No.:** **US D971,819 S**
(45) **Date of Patent:** **** Dec. 6, 2022**

(54) **SOLAR PANEL**

(71) Applicant: **Jason Li**, Shenzhen (CN)

(72) Inventor: **Jason Li**, Shenzhen (CN)

(**) Term: **15 Years**

(21) Appl. No.: **29/786,232**

(22) Filed: **May 29, 2021**

(51) **LOC (13) Cl.** **13-02**

(52) **U.S. Cl.**
USPC **D13/102**

(58) **Field of Classification Search**
USPC D13/102, 101, 103, 107, 108, 110, 118,
D13/184, 199
CPC H01L 31/00; H01L 31/18; H01L 31/042;
H01L 31/045; H01L 31/048; H01L
31/052; H01L 31/054; H01L 31/0475;
H01L 31/0485; H01M 10/052; H01M
10/465; H02S 30/10; H02S 30/20; H02S
10/40; H02S 40/42; Y02E 10/50; Y02E
10/52; Y10S 136/291; Y10S 136/293;
H02J 7/355; G06F 1/1628; F21S 8/006;
F21V 21/06; F21V 21/12
See application file for complete search history.

(56) **References Cited**

U.S. PATENT DOCUMENTS

D510,316 S * 10/2005 Hayakawa D13/102
D599,286 S * 9/2009 Horito D13/102

D670,645 S * 11/2012 Qian D13/102
D776,050 S * 1/2017 Awad D13/102
D807,285 S * 1/2018 Krantz D13/102
D848,363 S * 5/2019 Bai D13/102
D900,018 S * 10/2020 Lu D13/102
D916,005 S * 4/2021 Krantz D13/102

* cited by examiner

Primary Examiner — Derrick E Holland

(74) *Attorney, Agent, or Firm* — Georgi Korobanov

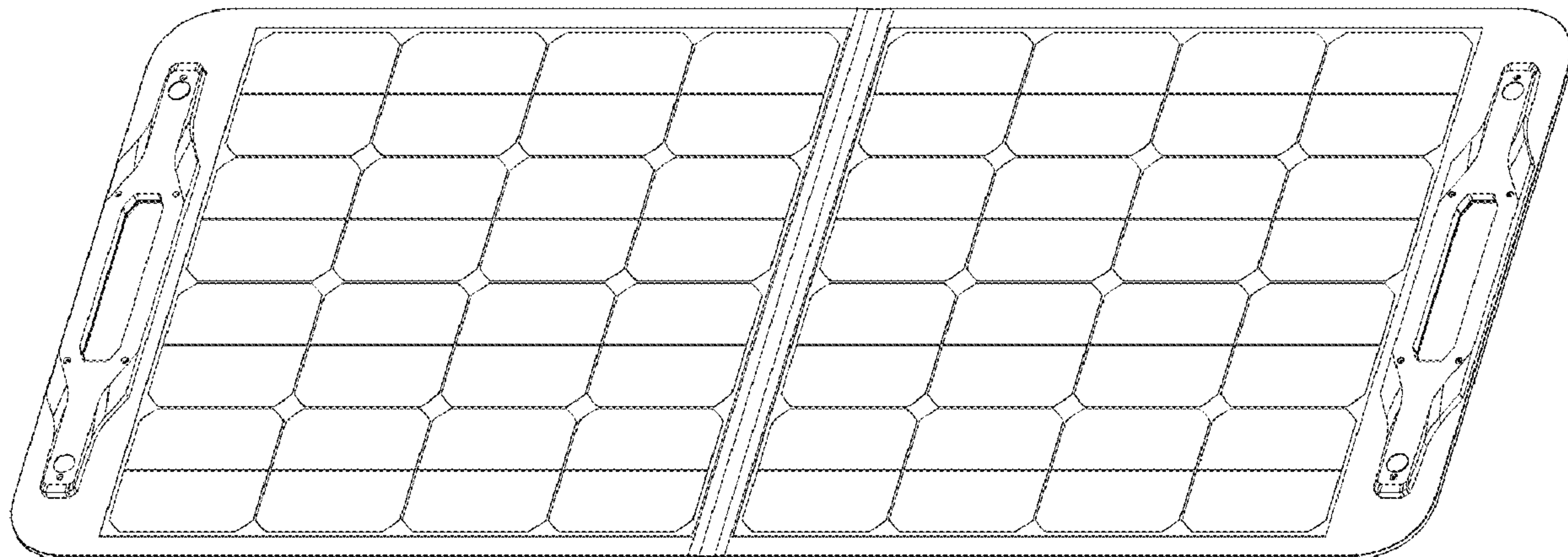
(57) **CLAIM**

The ornamental design for a solar panel, as shown and described.

DESCRIPTION

FIG. 1 is a perspective view of a solar panel showing my new design;
FIG. 2 is a perspective view of folded state thereof;
FIG. 3 is a perspective view of a use state thereof;
FIG. 4 is a front view thereof;
FIG. 5 is a rear view thereof;
FIG. 6 is a left side view thereof;
FIG. 7 is a right side view thereof;
FIG. 8 is a top plan view thereof; and,
FIG. 9 is a bottom plan view thereof.

1 Claim, 9 Drawing Sheets



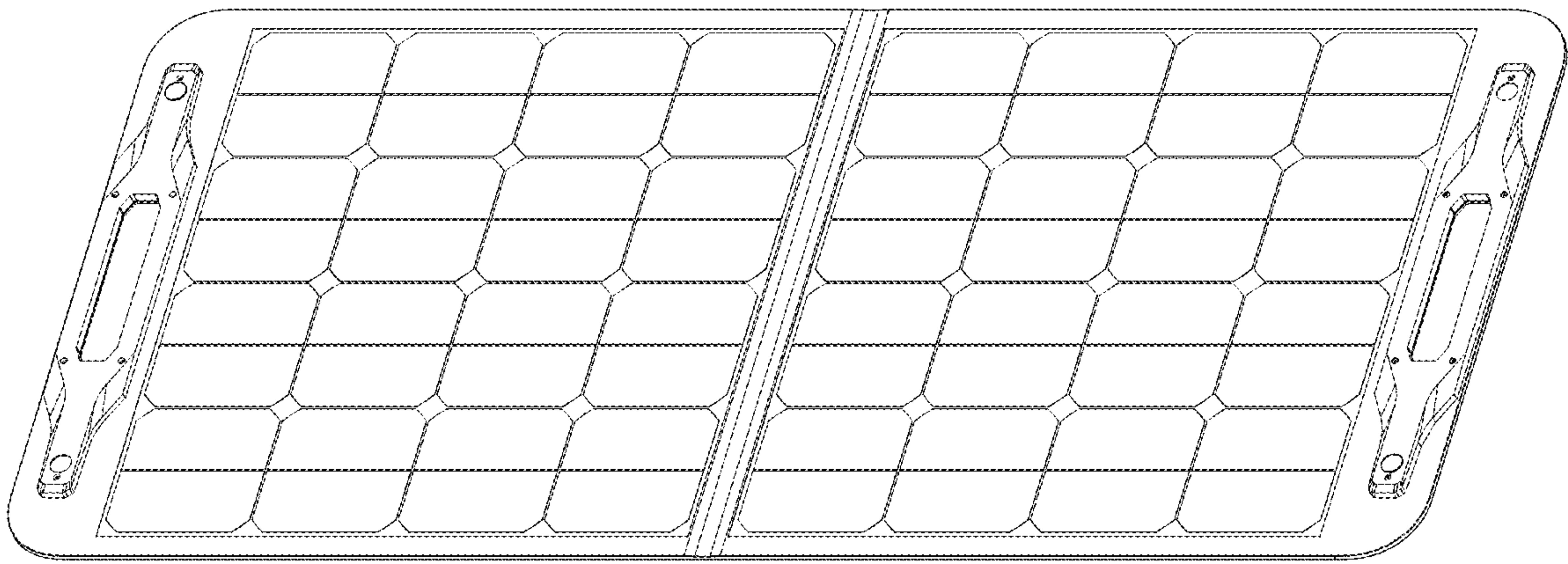


FIG. 1

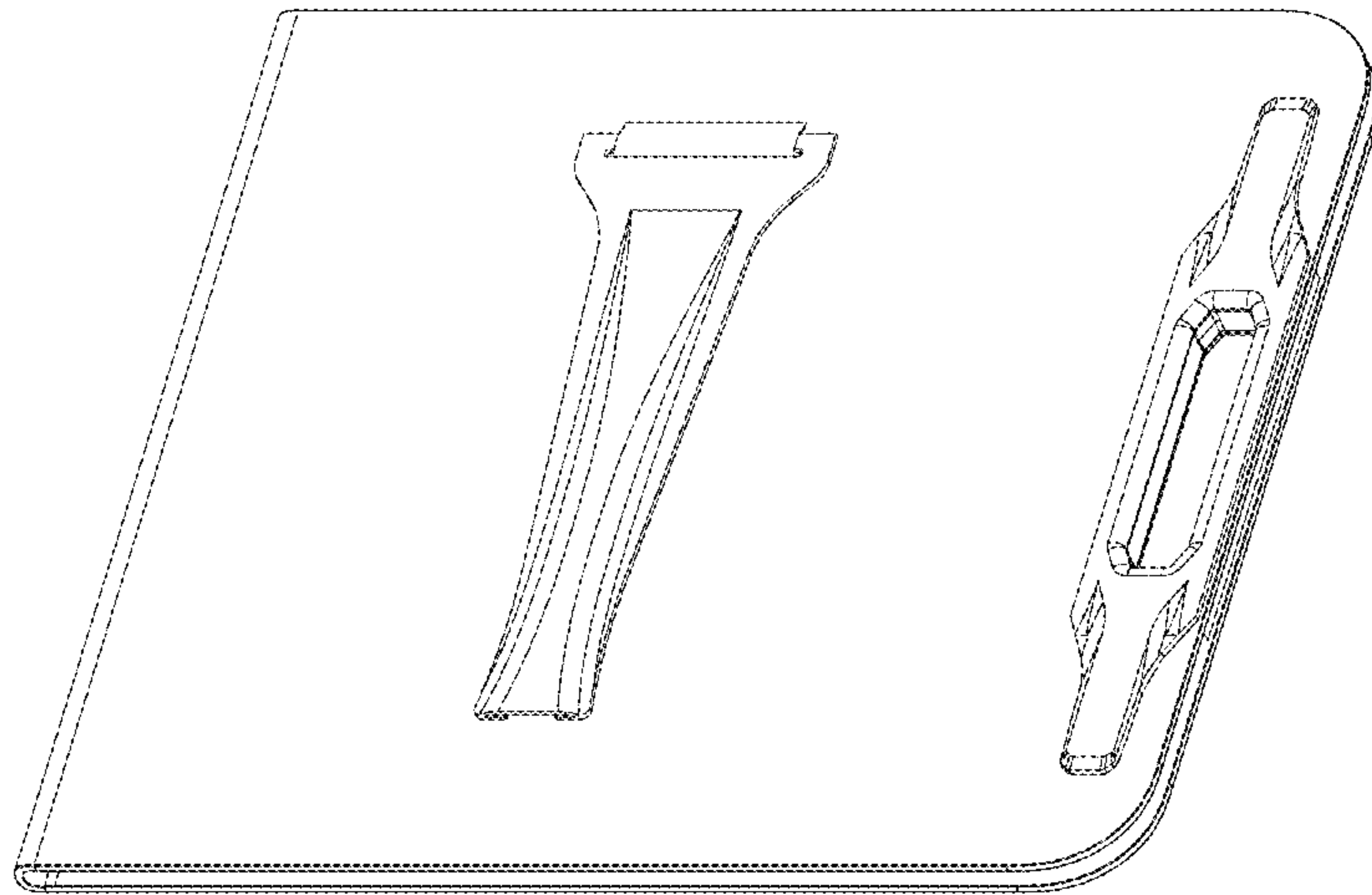


FIG.2

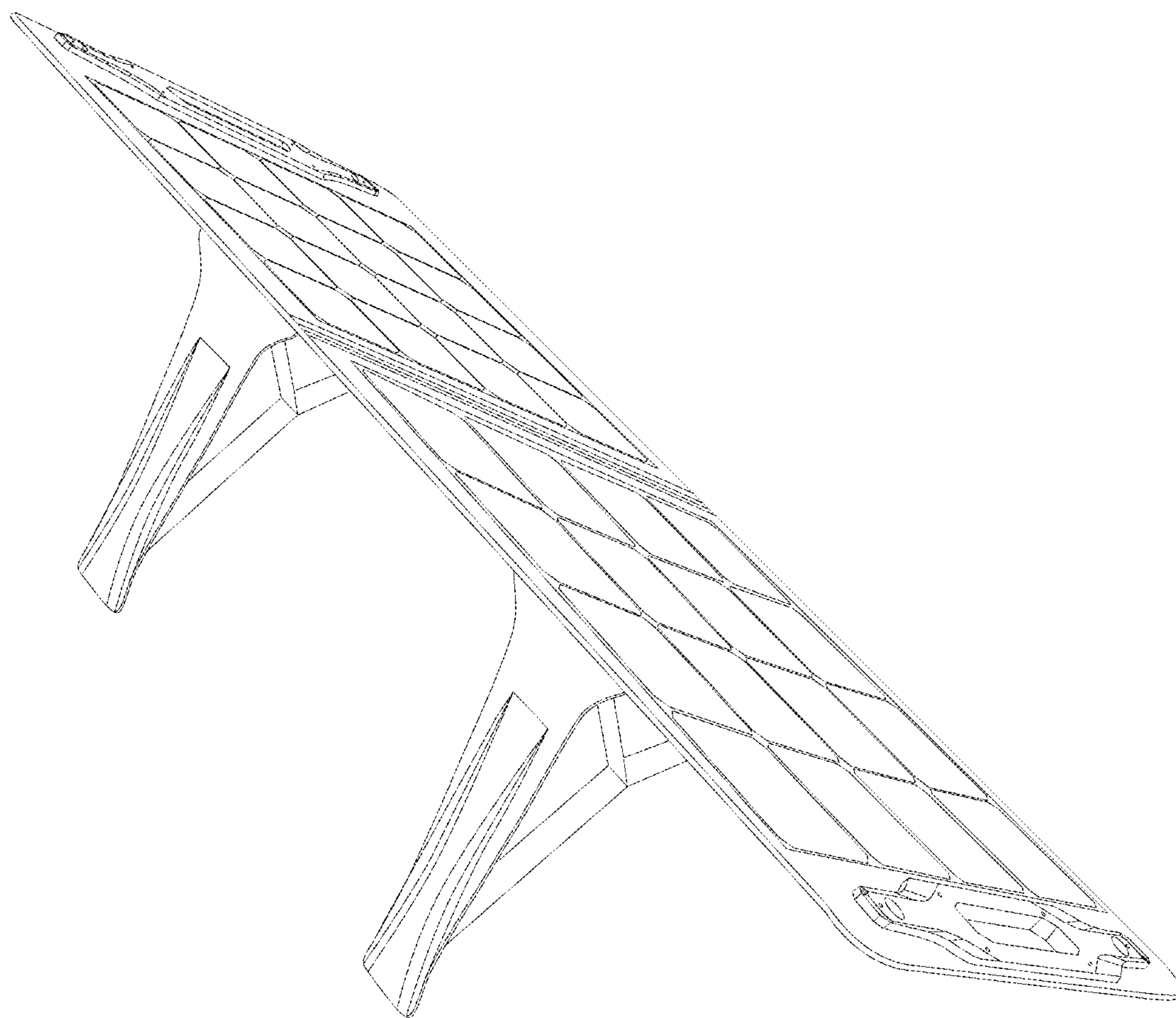


FIG.3

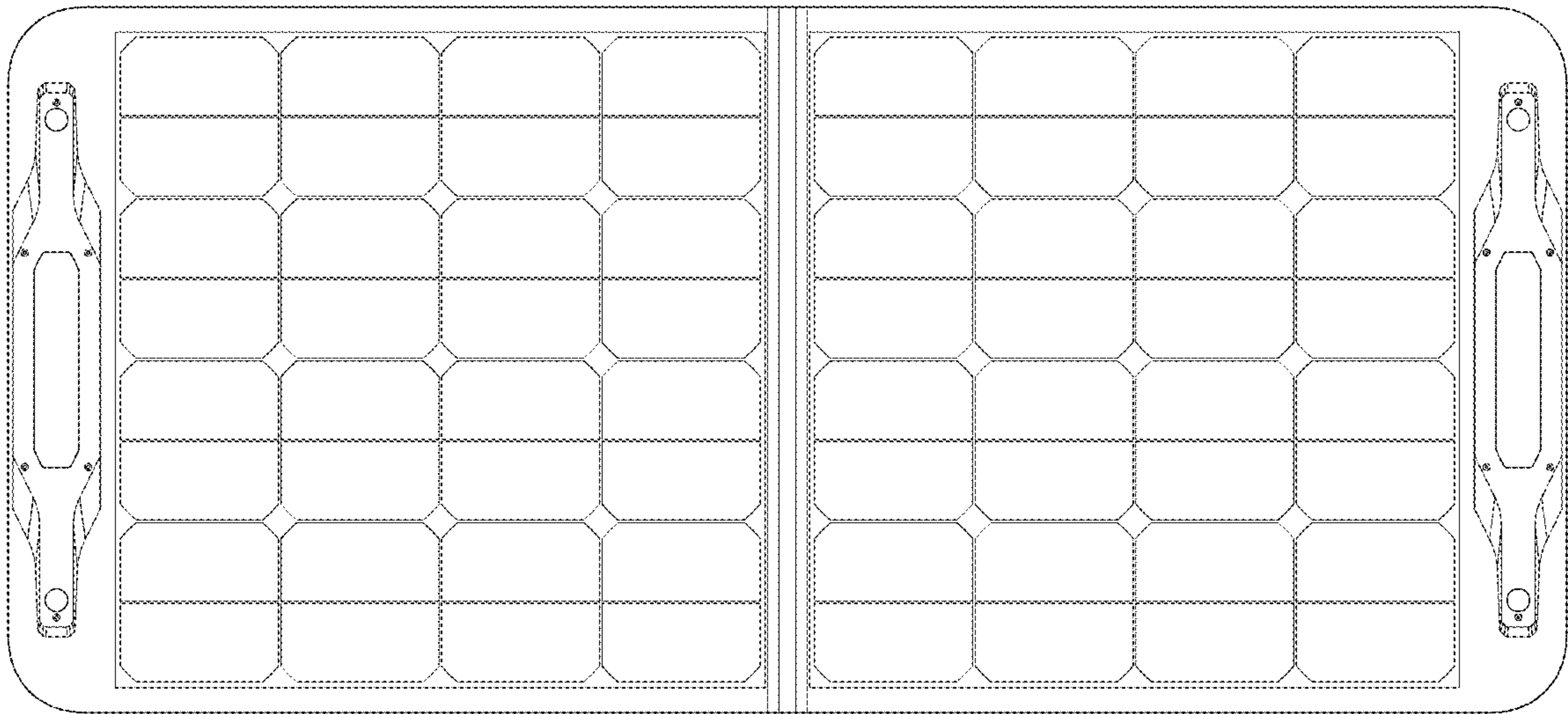


FIG.4

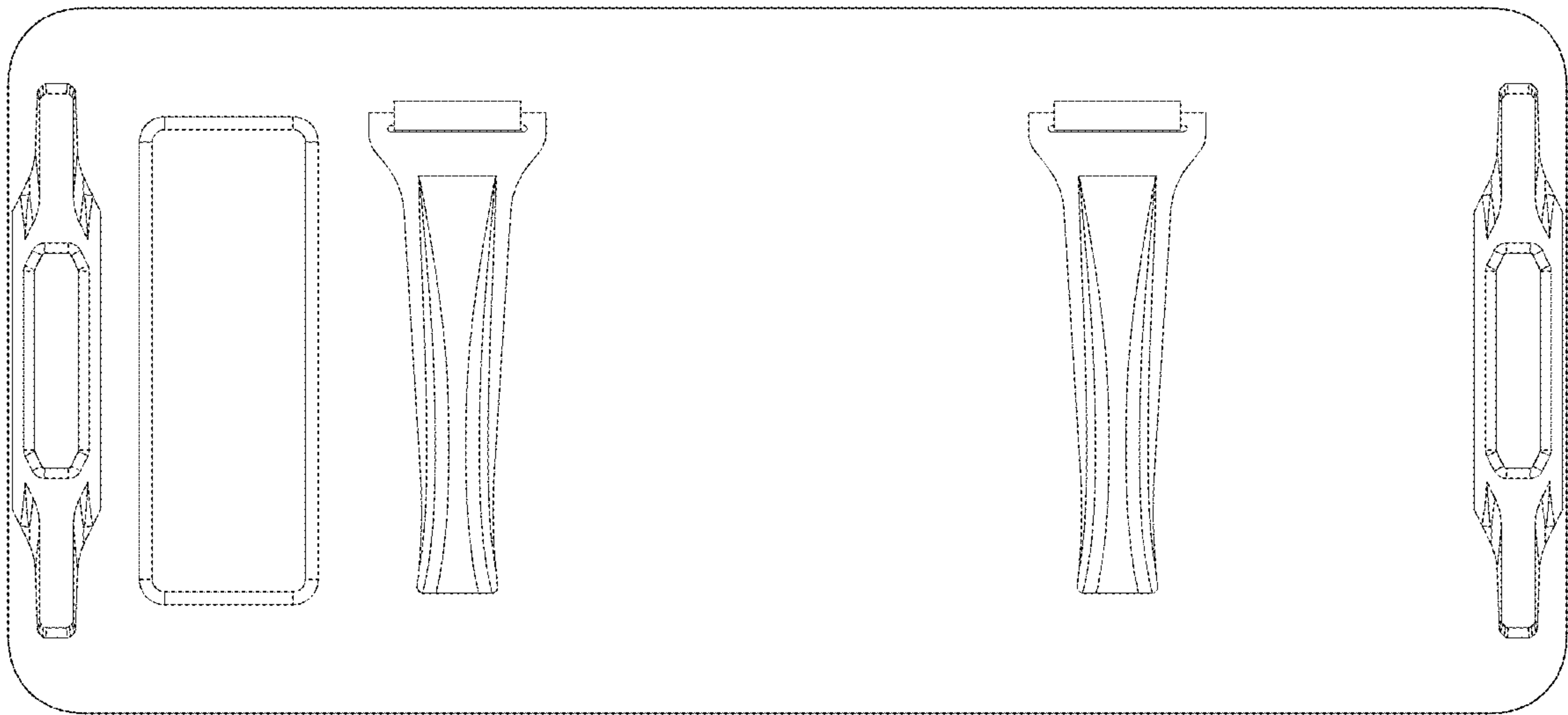


FIG.5



FIG.6



FIG.7

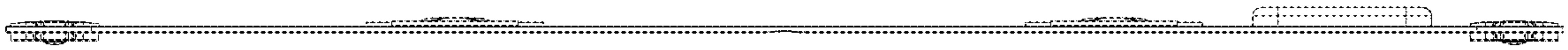


FIG.8

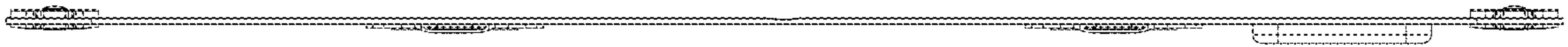


FIG.9