



US00D971814S

(12) **United States Design Patent**
Lochner et al.

(10) **Patent No.:** **US D971,814 S**
(45) **Date of Patent:** **** Dec. 6, 2022**

(54) **SUBMERSIBLE VESSEL AND/OR REPLICAS THEREOF**

(71) Applicants: **Robert Paul Lochner**, Wasilla, AK (US); **Thomas Francis Lochner**, Eagle River, AK (US)

(72) Inventors: **Robert Paul Lochner**, Wasilla, AK (US); **Thomas Francis Lochner**, Eagle River, AK (US)

(**) Term: **15 Years**

(21) Appl. No.: **29/760,602**

(22) Filed: **Dec. 2, 2020**

(51) **LOC (13) Cl.** **12-06**

(52) **U.S. Cl.**
USPC **D12/308**

(58) **Field of Classification Search**
USPC D12/300, 302-304, 306-308, 310, D12/312-318, 413; D14/300; D21/542, D21/544
CPC B63B 1/00; B63B 1/042; B63B 1/125; B63B 7/00; B63B 34/10; B63B 17/00; B63B 17/02; B63H 8/00; B63H 9/00
See application file for complete search history.

(56) **References Cited**

U.S. PATENT DOCUMENTS

3,116,708	A *	1/1964	Gardhouse	B63B 1/14	114/61.16
3,430,595	A *	3/1969	Tulleners	B63B 1/107	114/61.16
3,524,422	A *	8/1970	Buckminster	B63H 9/04	114/39.26
D254,664	S *	4/1980	Macpherson	D12/300	
D293,096	S *	12/1987	Keller	D12/304	
D305,637	S *	1/1990	Emmer	D12/303	
4,926,773	A *	5/1990	Manor	B63B 1/322	114/274

5,078,072	A *	1/1992	Horiuchi	B63B 5/24	114/61.1
5,237,947	A *	8/1993	Manning	B63B 1/285	114/274
5,651,706	A *	7/1997	Kasper	B63B 7/082	114/354

(Continued)

FOREIGN PATENT DOCUMENTS

CN	203786566	U	8/2014
CN	306104841	*	10/2020

(Continued)

OTHER PUBLICATIONS

5 Cheapest Submarines Everyone Can Buy, announced in YouTube on Jan. 24, 2021 [online], [Jul. 14, 2022], Available from the internet URL: <https://www.youtube.com/watch?v=cWH4FoHrVCI>.*

(Continued)

Primary Examiner — Darlington Ly
Assistant Examiner — D. Ryan Tisdale

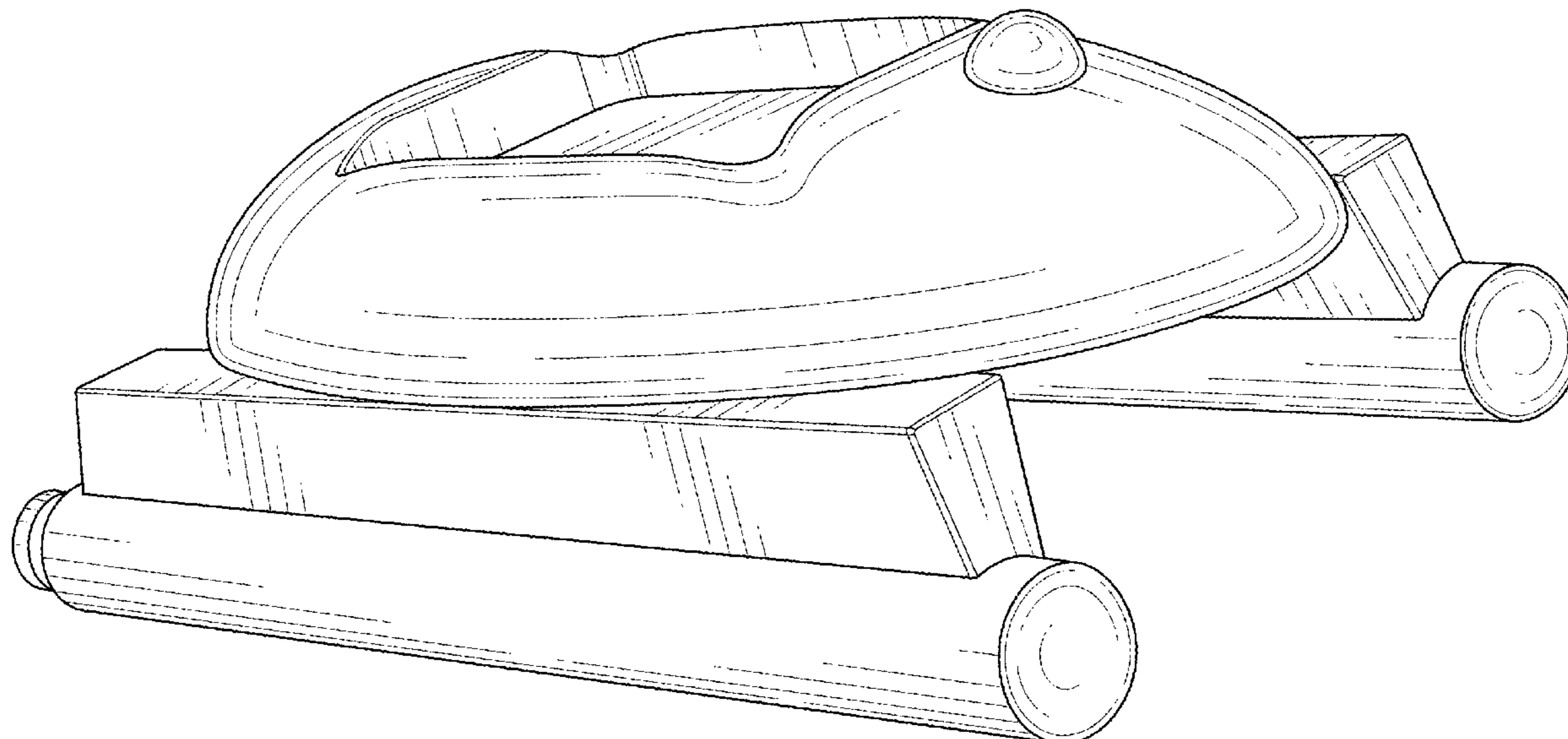
(57) **CLAIM**

The ornamental design for a submersible vessel and/or replicas thereof, as shown and described.

DESCRIPTION

FIG. 1 is a front-top-left perspective view of a submersible vessel and/or replicas thereof showing my new design; FIG. 2 is a rear-top-left perspective view thereof; FIG. 3 is a rear-top-right perspective view thereof; FIG. 4 is a front elevational view thereof; FIG. 5 is a rear elevational view thereof; FIG. 6 is a top plan view thereof; FIG. 7 is a bottom view thereof; and, FIG. 8 is a left-side elevational view thereof, the right-side elevational view being a mirror image thereof.

1 Claim, 8 Drawing Sheets



(56)

References Cited

U.S. PATENT DOCUMENTS

5,694,878 A * 12/1997 Masuyama B63B 39/06
 114/61.27
 D394,633 S * 5/1998 Gauthier D12/303
 D406,299 S * 3/1999 Huston D21/803
 6,095,079 A * 8/2000 Smidt B63B 1/12
 114/61.15
 D447,109 S * 8/2001 Paoli D12/308
 D461,445 S * 8/2002 Nuytten D12/308
 D470,544 S * 2/2003 Uetake D21/545
 D518,116 S * 3/2006 Leonov D21/533
 D540,880 S * 4/2007 Reilly D21/300
 D577,325 S * 9/2008 Harman D12/300
 D625,714 S * 10/2010 Majdandzic D14/230
 8,677,921 B2 3/2014 Gosling
 D756,885 S * 5/2016 Krawczyk D12/317
 9,403,579 B2 * 8/2016 Sancoff B63B 1/14
 D770,966 S * 11/2016 Teixeira D12/316
 D803,759 S * 11/2017 Habeger D12/308

10,011,152 B1 7/2018 Kremkau et al.
 D897,267 S * 9/2020 Wei D12/308
 D901,364 S * 11/2020 Tu D12/308
 2003/0172862 A1 * 9/2003 Chacon B63B 43/14
 114/61.18

FOREIGN PATENT DOCUMENTS

CN 306411641 * 3/2021
 CN 306595314 * 6/2021
 GB 2106490 * 12/2001
 GB 3019715 * 1/2005
 GB 3020788 * 4/2005
 KR 301026052.0000 * 10/2019

OTHER PUBLICATIONS

C-Job, <https://c-job.com/aumd/c-job-dredger-submarine-aumd-autonomous-underwater-maintenance-dredger-design/>.

* cited by examiner

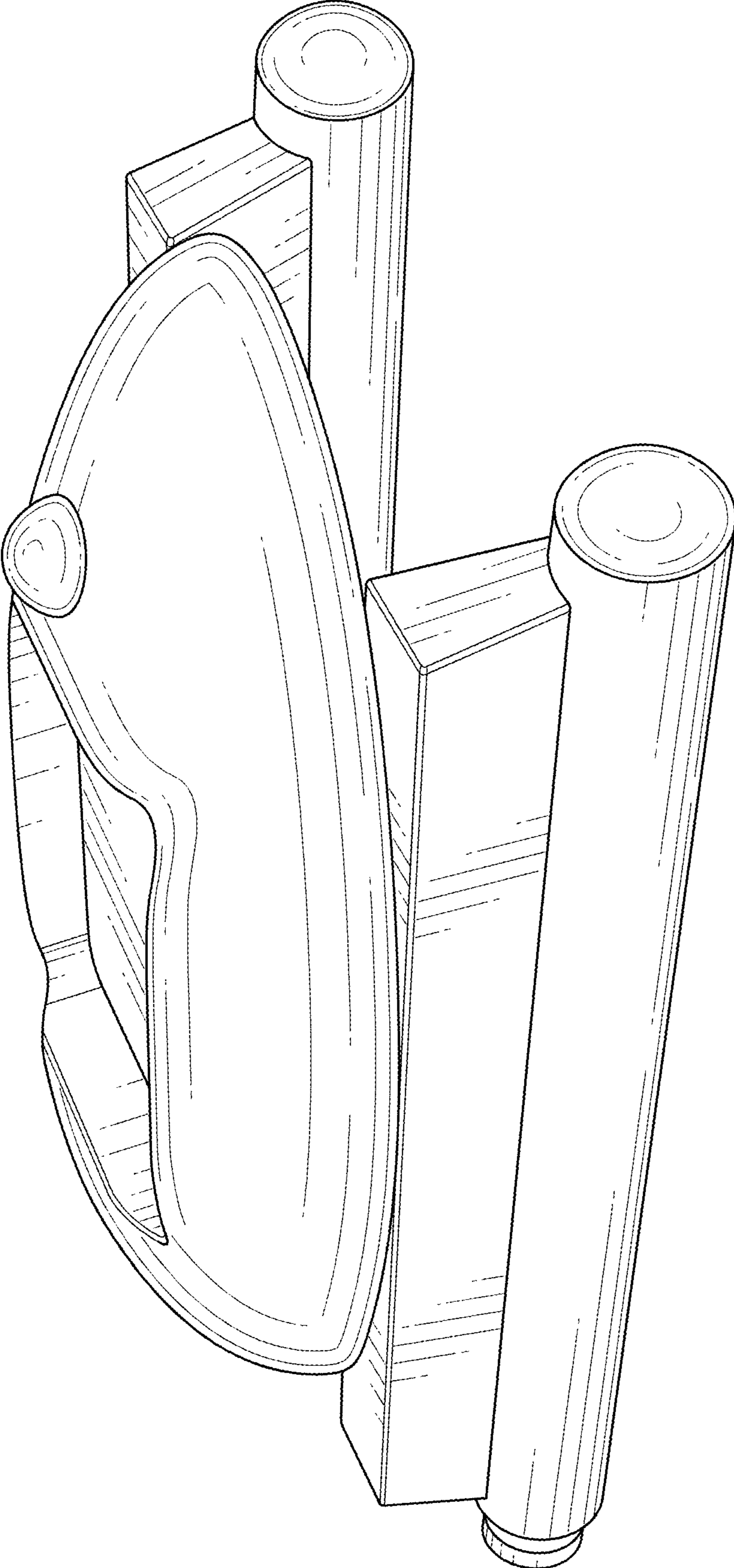


FIG. 1

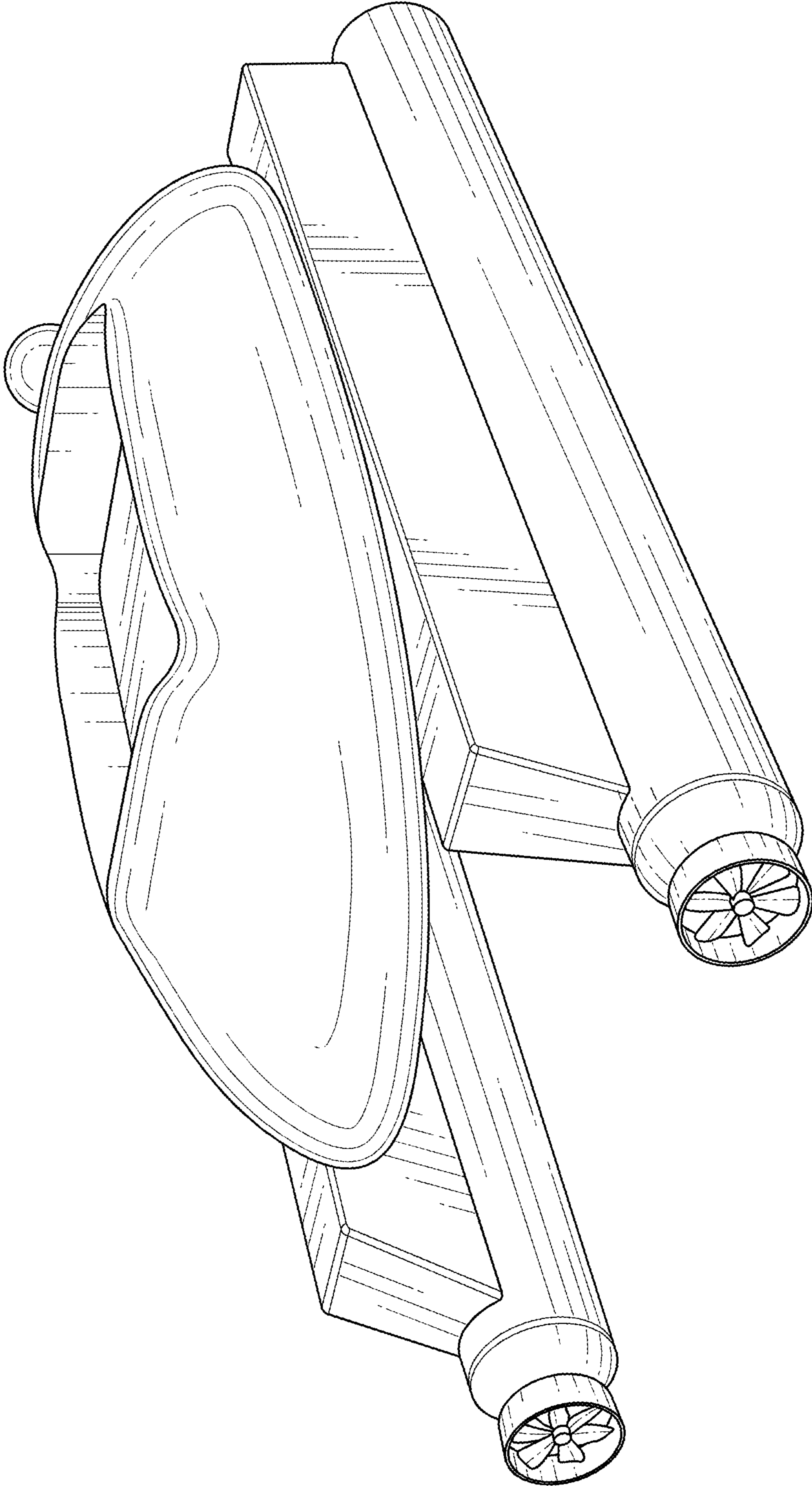


FIG. 2

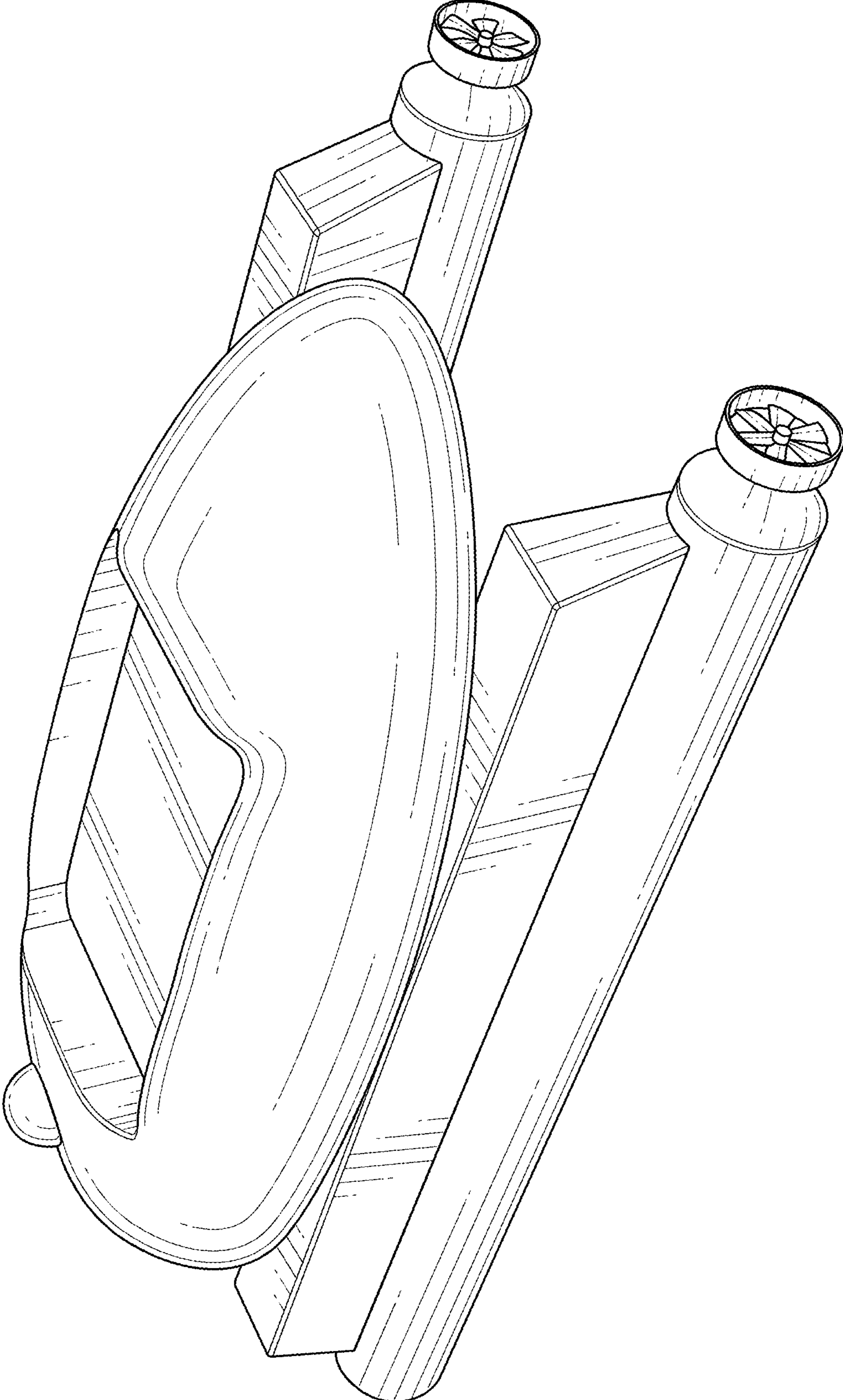


FIG. 3

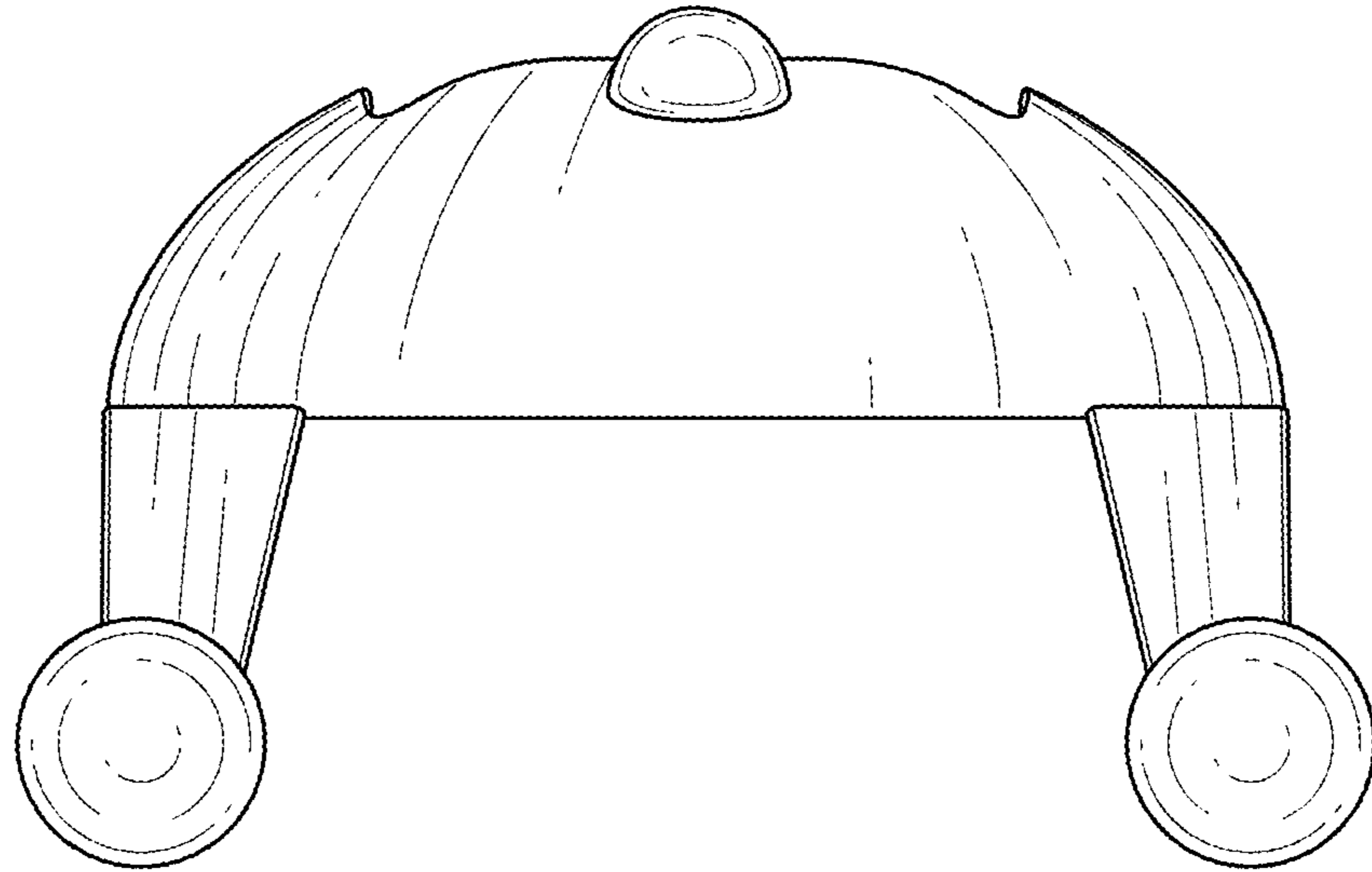


FIG. 4

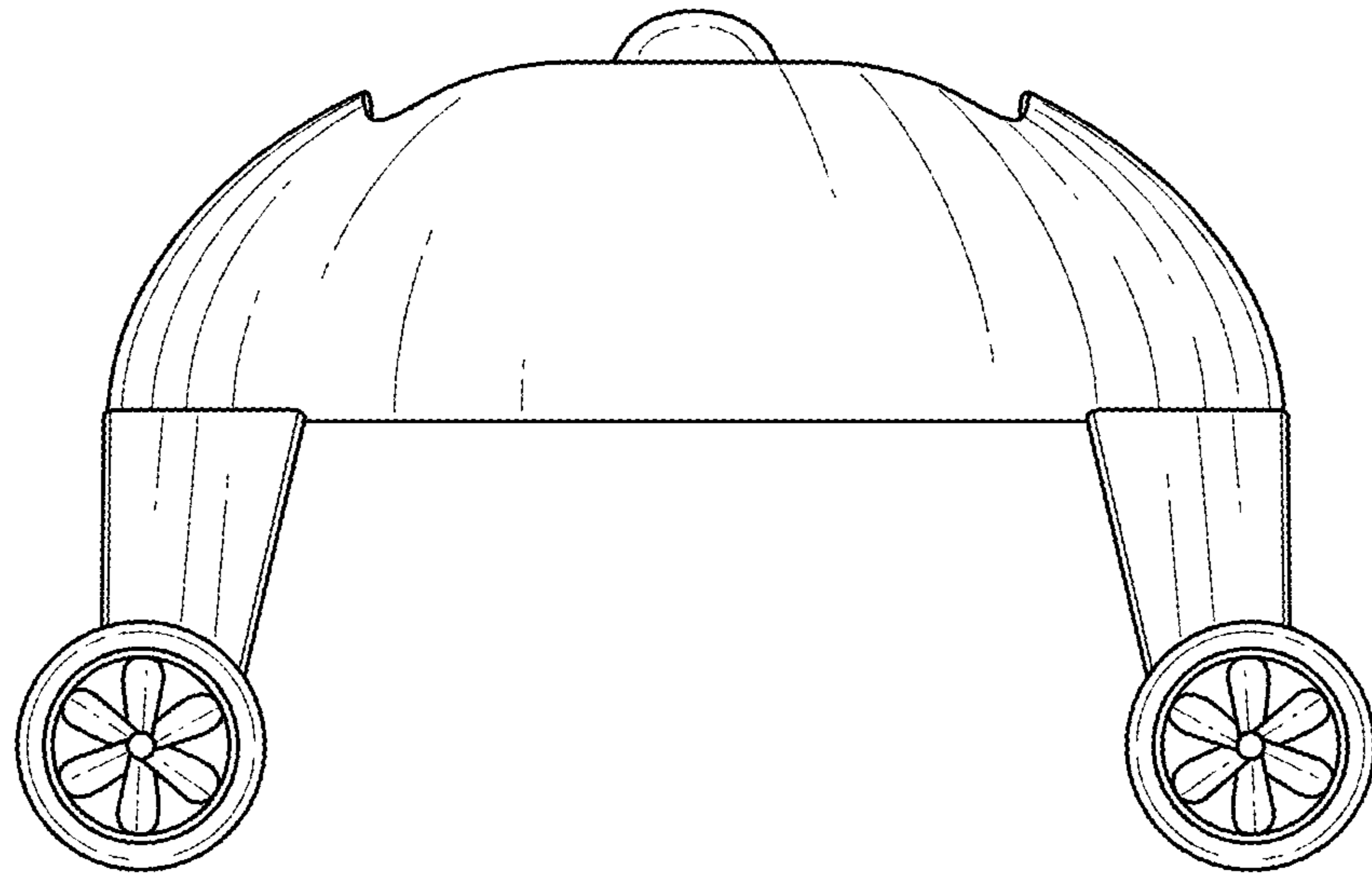


FIG. 5

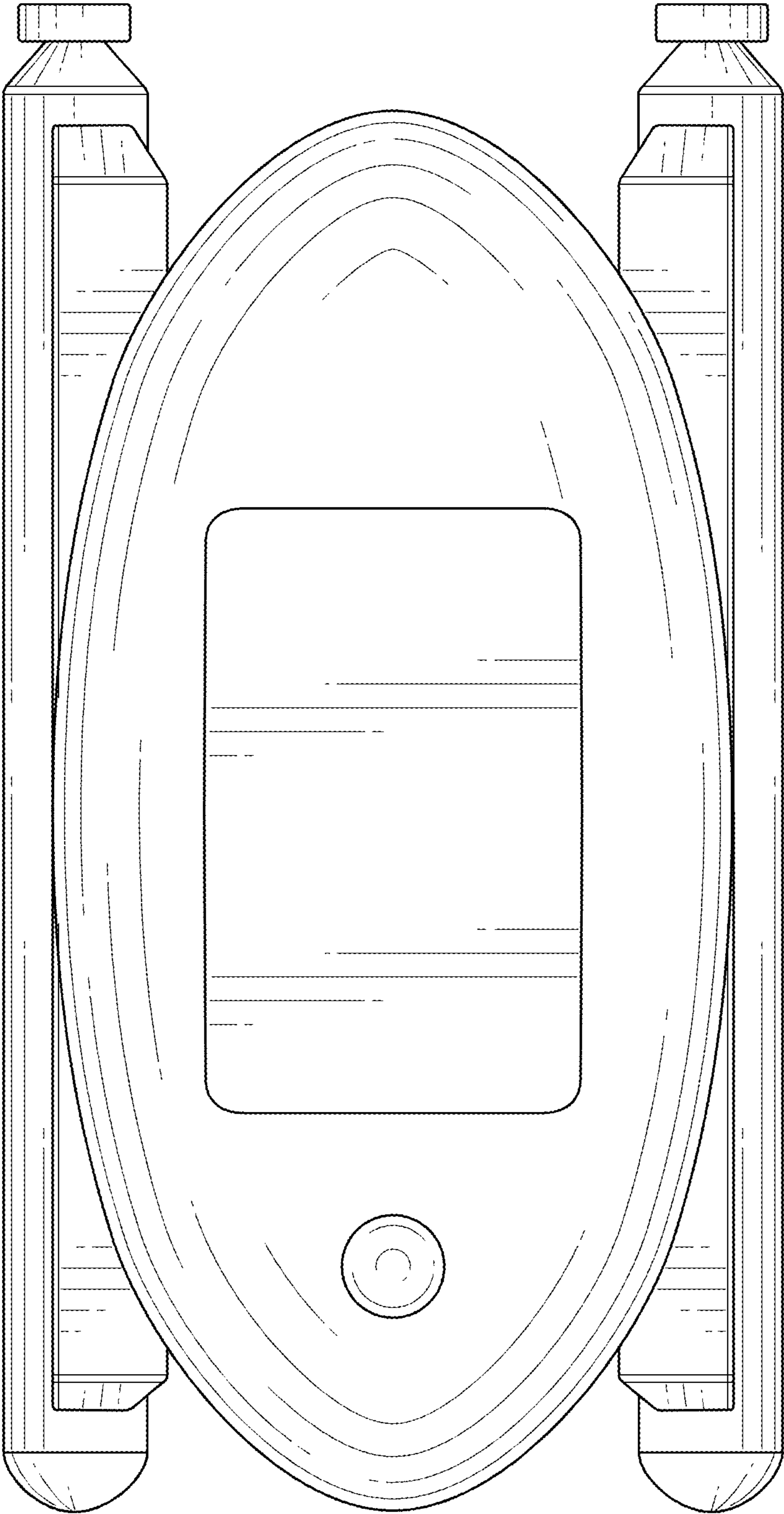


FIG. 6

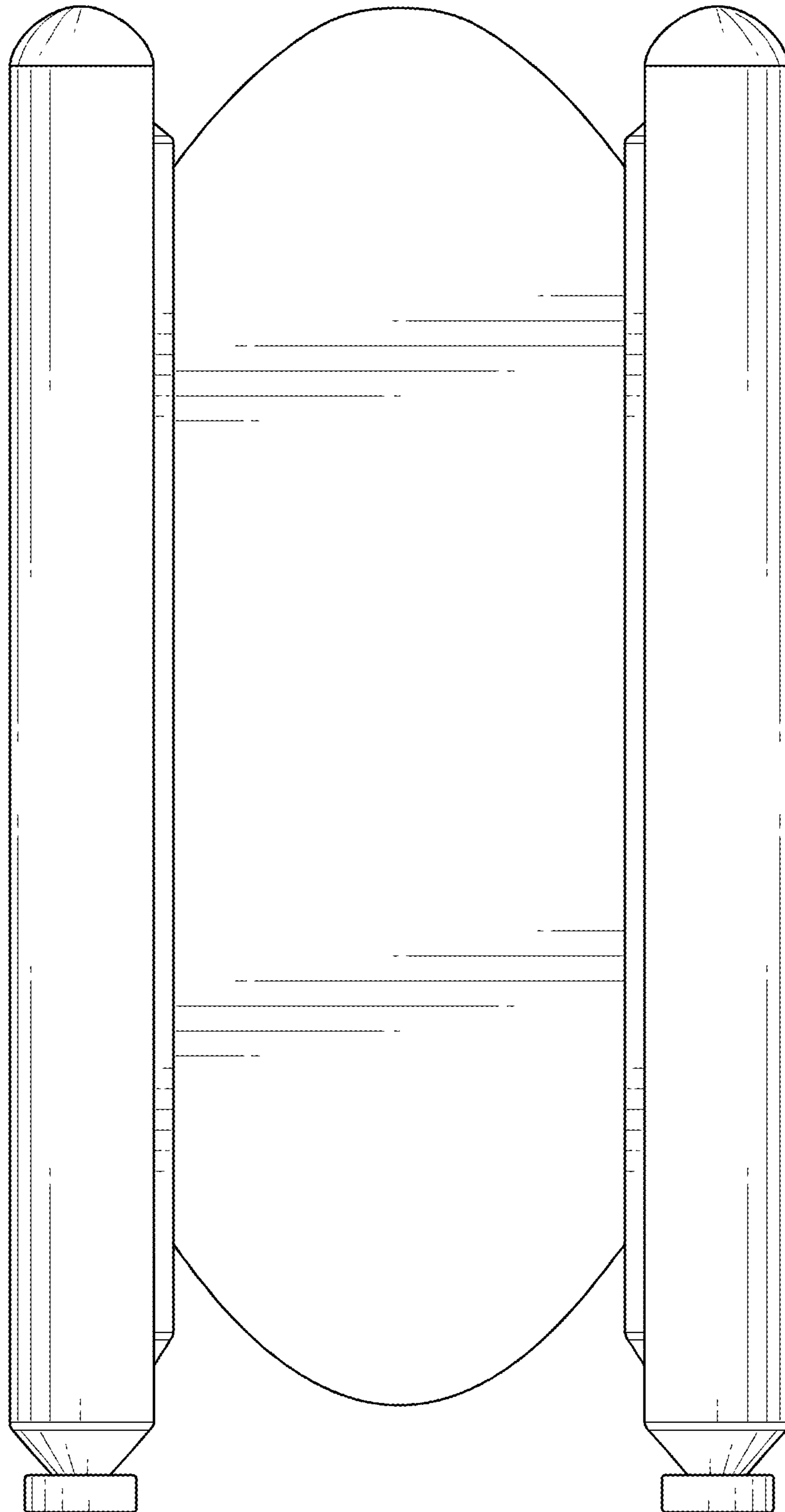


FIG. 7

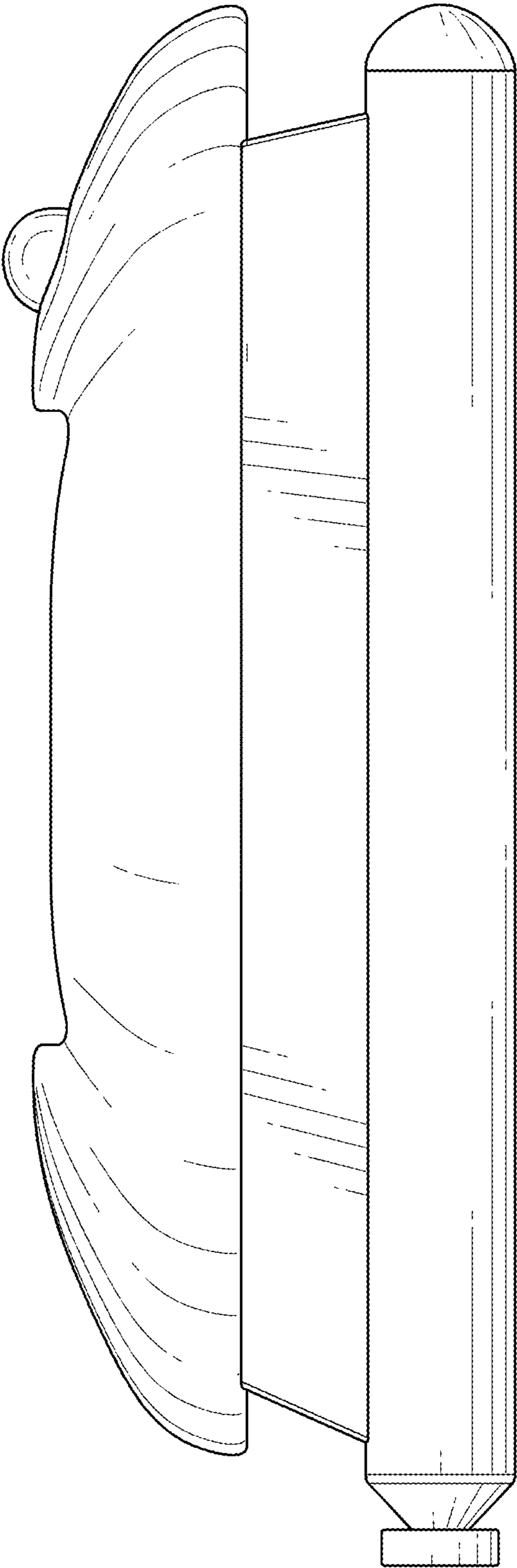


FIG. 8