



US00D971813S

(12) **United States Design Patent** (10) **Patent No.:** **US D971,813 S**
Menegazzo et al. (45) **Date of Patent:** **** Dec. 6, 2022**

(54) **RAIL CLAMP** 5,146,724 A * 9/1992 Angelo F16B 2/02
403/387

(71) Applicant: **ARB Corporation Ltd**, Kilsyth (AU) D345,121 S * 3/1994 Baumann D34/28
D359,224 S * 6/1995 Airey D8/349

(72) Inventors: **Andrew Guy Menegazzo**, Kilsyth
(AU); **James Kenneth Robert Luke**,
Kilsyth (AU) D364,546 S * 11/1995 Tieffel 248/154
D373,068 S * 8/1996 Airey D8/349
D378,289 S * 3/1997 Lundgren D12/412
D438,837 S * 3/2001 Wheatley D12/223
6,502,800 B1 * 1/2003 Ursini A47C 1/16
248/500

(73) Assignee: **ARB CORPORATION LTD.**, Kilsyth
(AU) D512,903 S * 12/2005 Gallien D8/349
D603,781 S * 11/2009 Jimenez B60R 11/00
D8/395

(**) Term: **15 Years** 8,002,020 B2 * 8/2011 Li H01L 23/4093
165/80.3

(21) Appl. No.: **29/762,004** 9,428,947 B2 * 8/2016 Nagami H05K 5/0226
9,669,770 B1 * 6/2017 Schlaupitz F16B 21/073
9,821,729 B2 * 11/2017 Zhou B60R 11/06
10,187,006 B2 * 1/2019 Almy H02S 20/23
D904,276 S * 12/2020 Hostetter D12/223

(30) **Foreign Application Priority Data**

Jun. 15, 2020 (AU) 202013323

(51) **LOC (13) Cl.** **12-16**

(52) **U.S. Cl.**
USPC **D12/223**

(58) **Field of Classification Search**
USPC D12/190, 401, 406, 412, 418, 195;
D3/246, 276; D8/71, 349
CPC B60R 11/00; B60R 9/04; B60R 9/058;
B60R 9/08; B60R 1/04; B62D 43/06;
B62D 43/04; B62D 43/02; B60D 43/00;
B60D 1/075; B60D 1/18; B60D 1/182
See application file for complete search history.

(56) **References Cited**

U.S. PATENT DOCUMENTS

4,413,761 A * 11/1983 Angel B60R 9/06
293/117

D299,224 S * 1/1989 Kamaya D12/412

D315,093 S * 3/1991 Hanna D8/380

D325,688 S * 4/1992 Schreib D8/57

Primary Examiner — Darlington Ly
Assistant Examiner — D. Ryan Tisdale

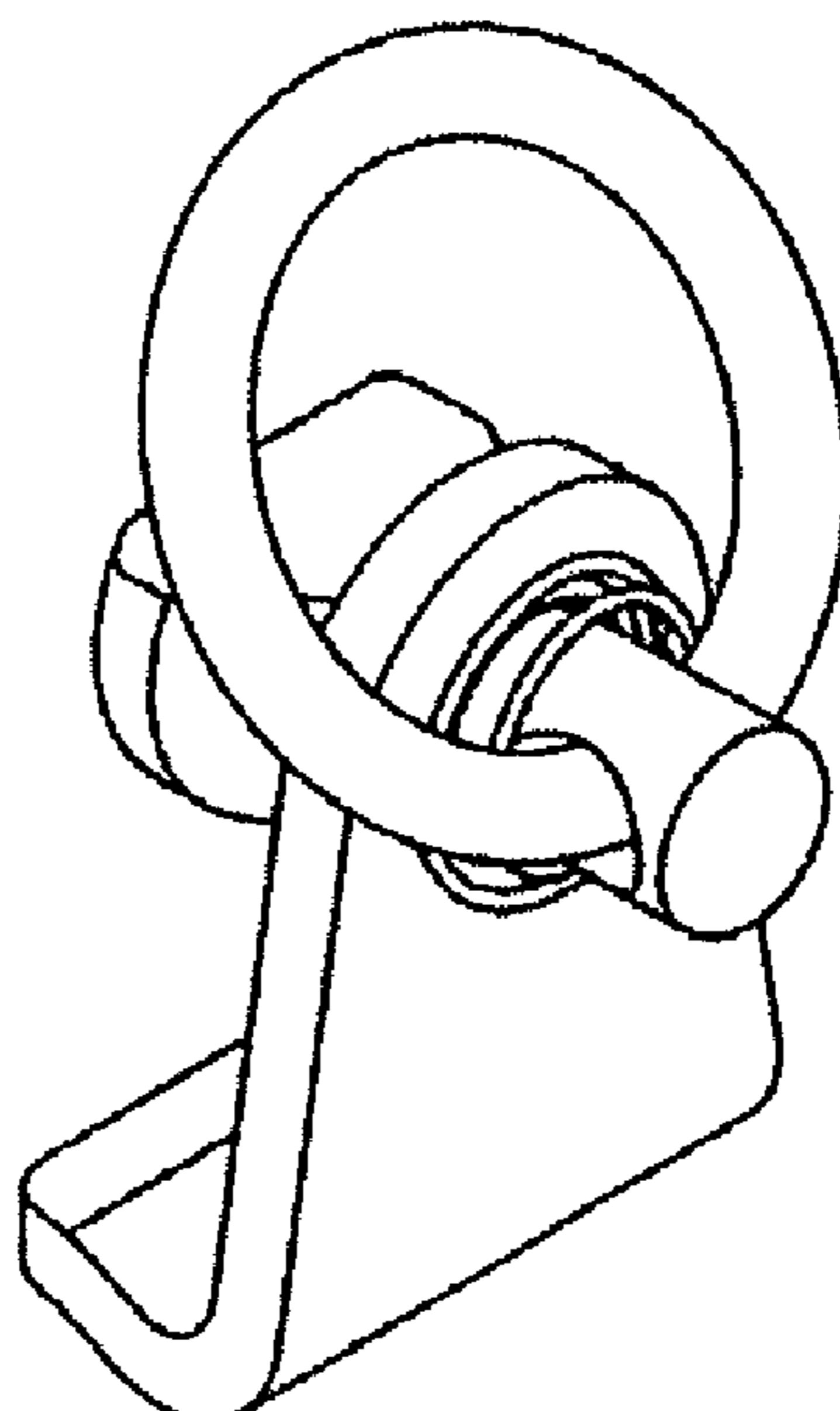
(57) **CLAIM**

The ornamental design for a rail clamp, as shown and described.

DESCRIPTION

FIG. 1 is a front perspective of the rail clamp;
FIG. 2 is a back perspective thereof;
FIG. 3 is a front perspective view in environment thereof;
FIG. 4 is a front elevation thereof;
FIG. 5 is a back elevation thereof;
FIG. 6 is a left side elevation thereof;
FIG. 7 is a right side elevation thereof;
FIG. 8 is a top elevation thereof; and,
FIG. 9 is a bottom elevation thereof.
The dotted lines in the figures indicate an environment for the rail clamp and do not form a part of the claimed design.

1 Claim, 5 Drawing Sheets



(56)

References Cited

U.S. PATENT DOCUMENTS

2006/0255082 A1* 11/2006 Tsai B60R 11/00
224/567
2009/0173762 A1* 7/2009 Wang B60P 7/0807
224/402
2011/0240701 A1* 10/2011 Totani B60R 11/00
224/555
2016/0009227 A1* 1/2016 Binder B60R 9/04
224/324

* cited by examiner

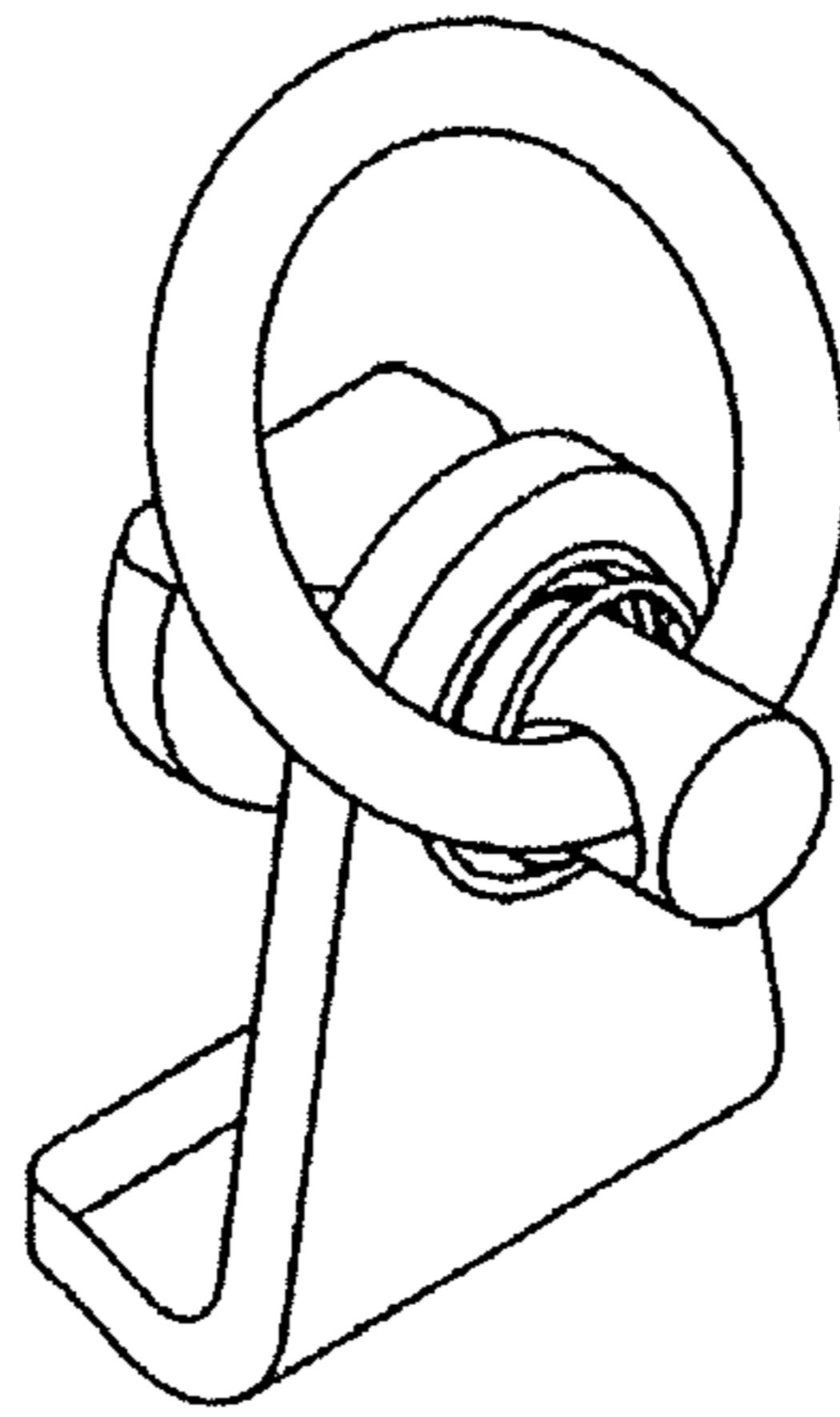


FIGURE 1

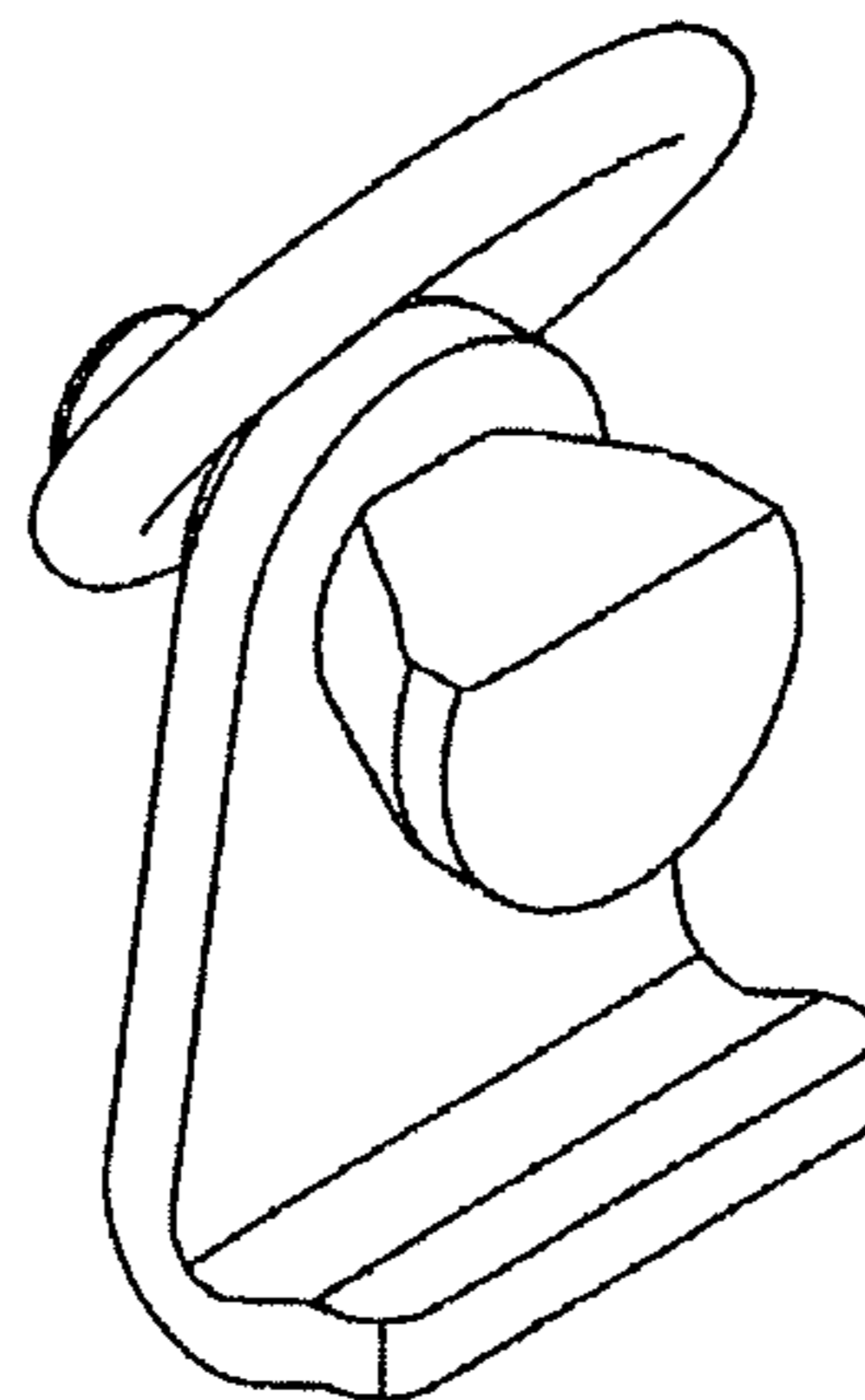


FIGURE 2

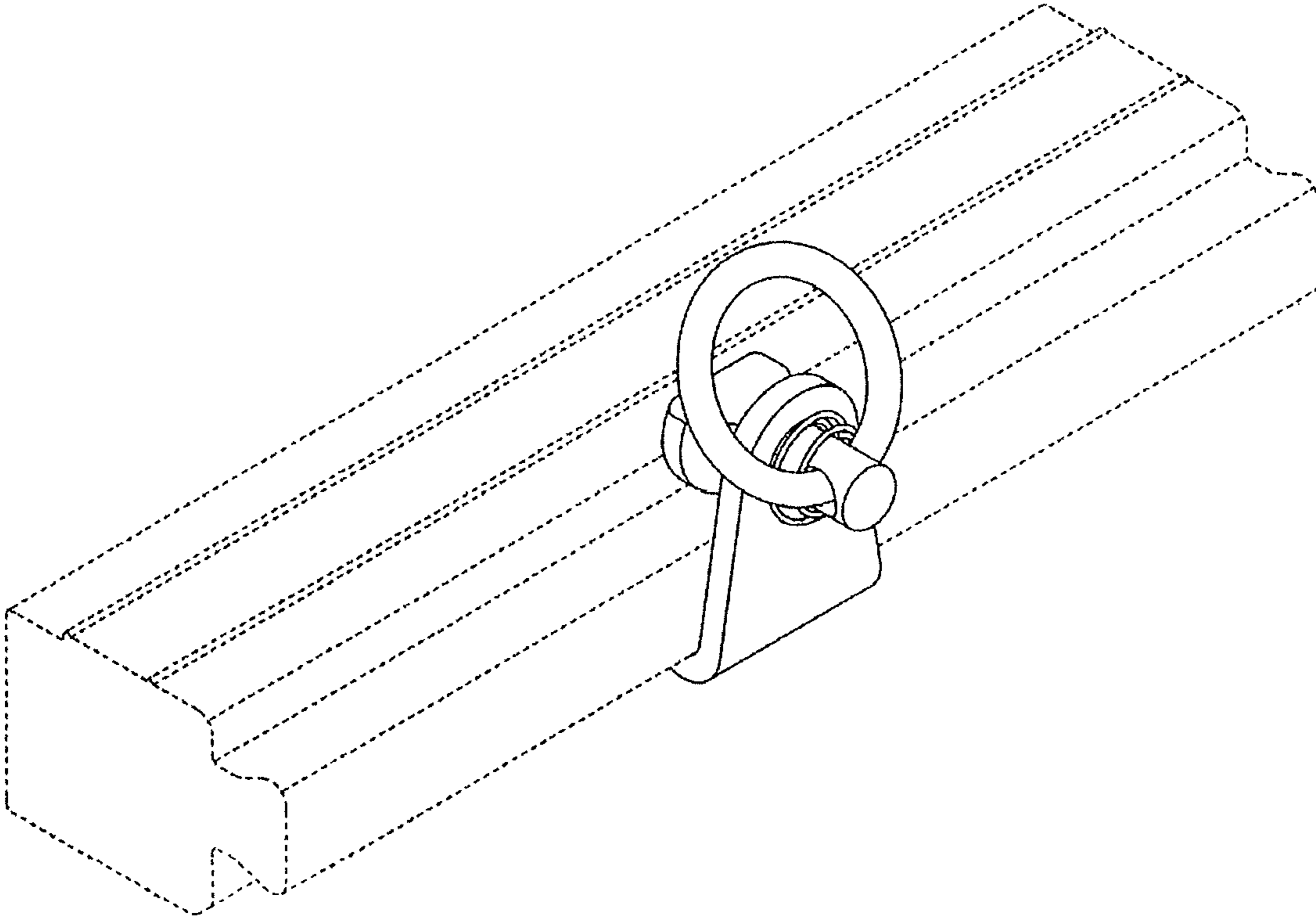


FIGURE 3

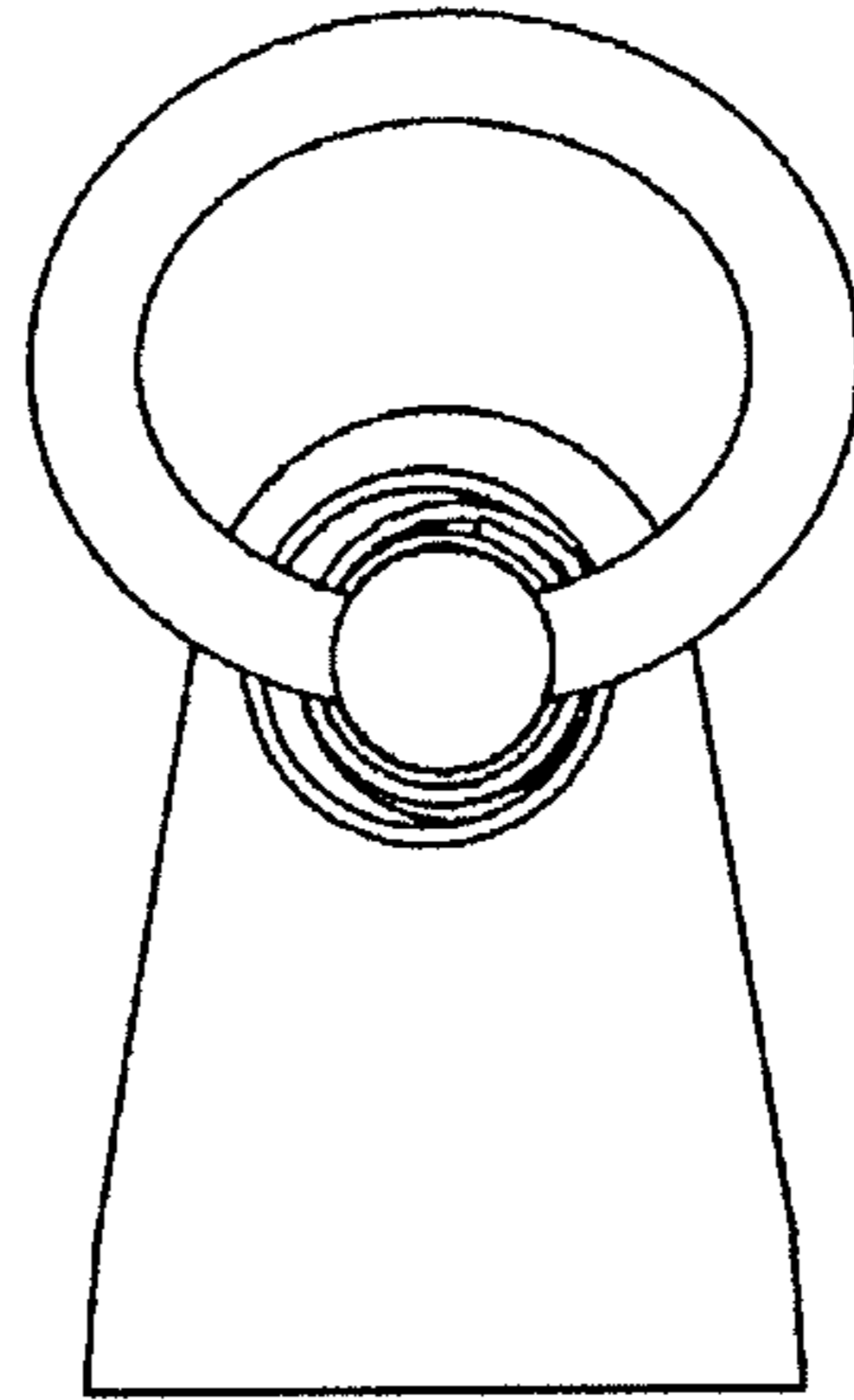


FIGURE 4

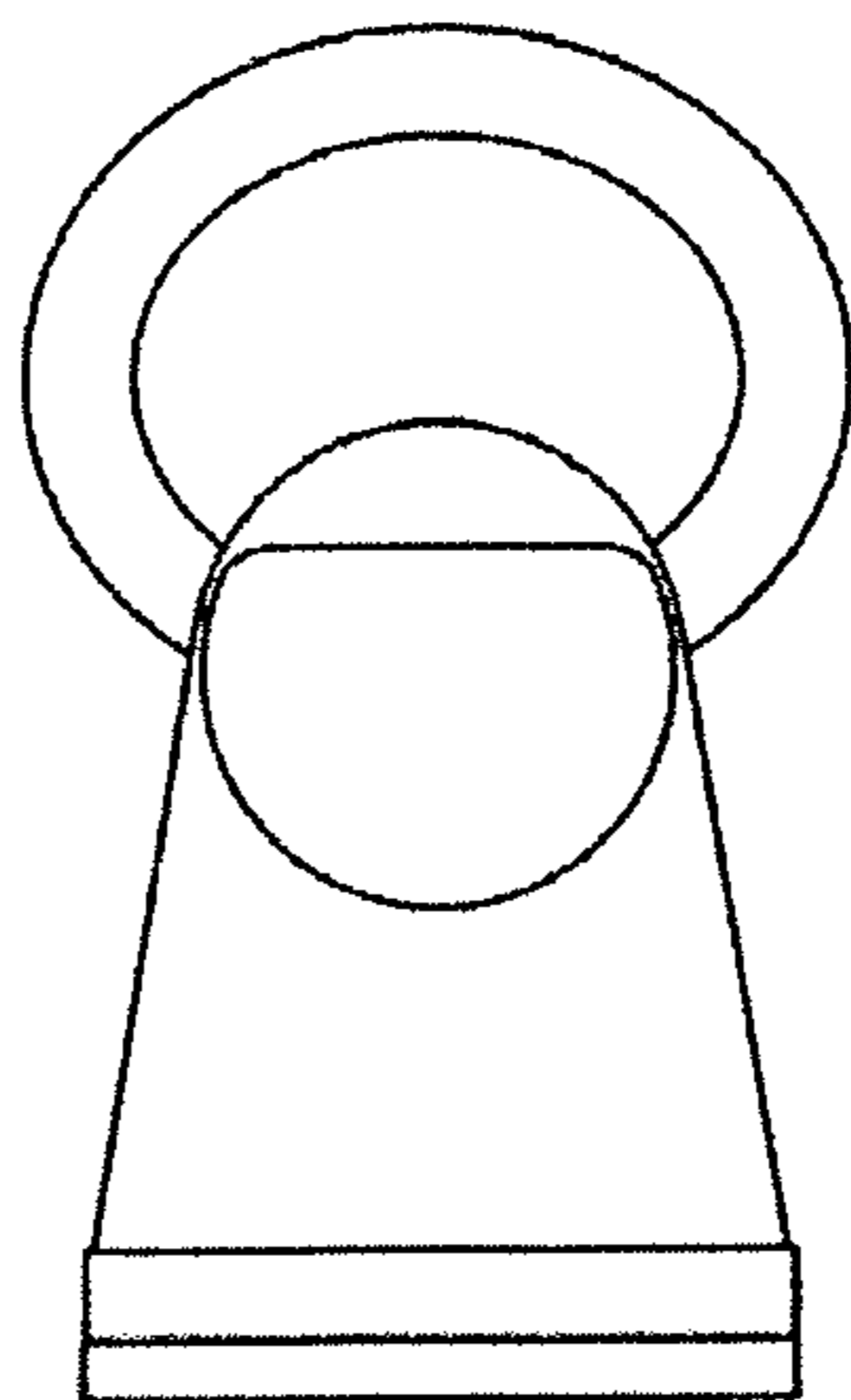


FIGURE 5

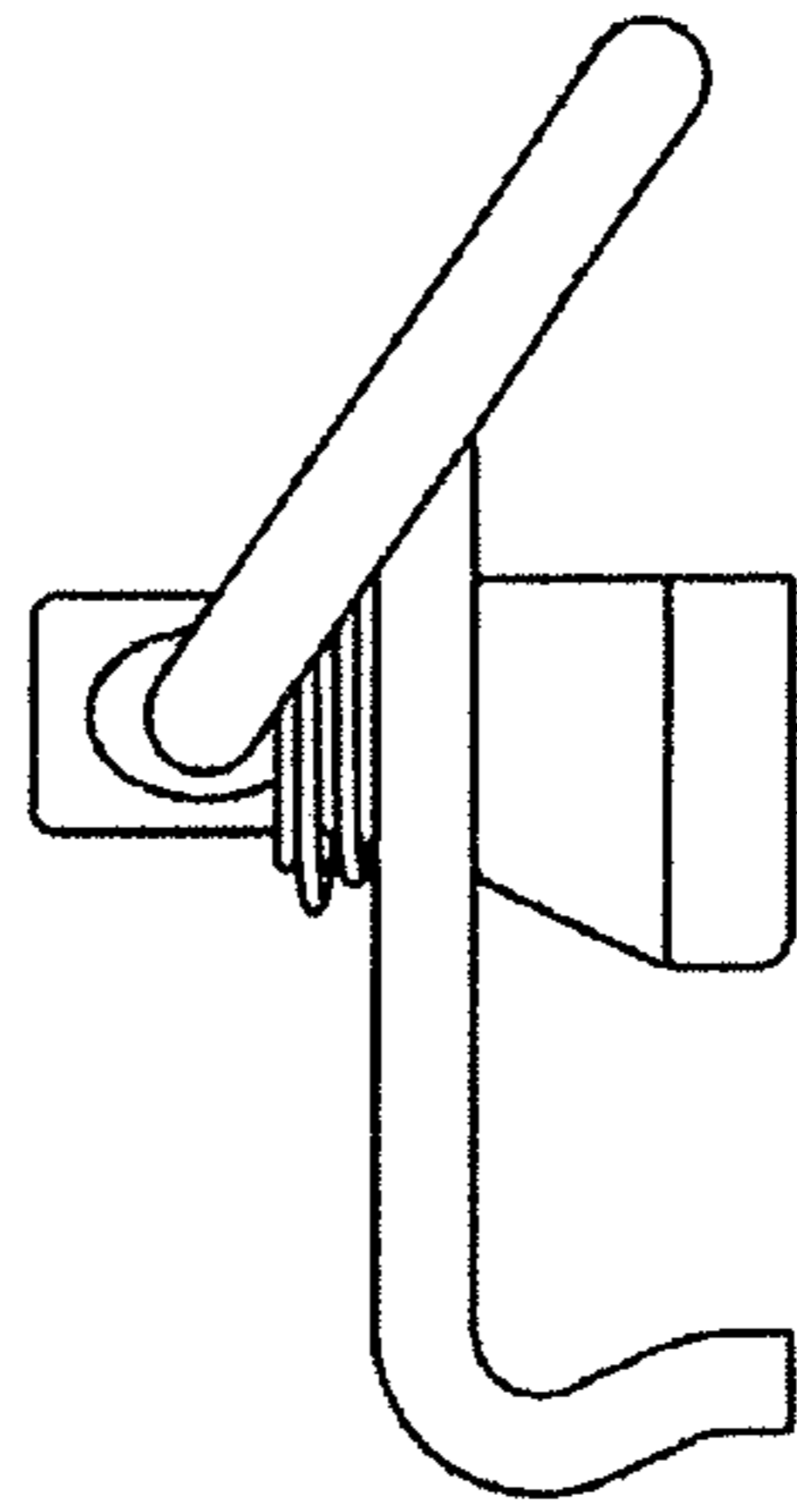


FIGURE 6

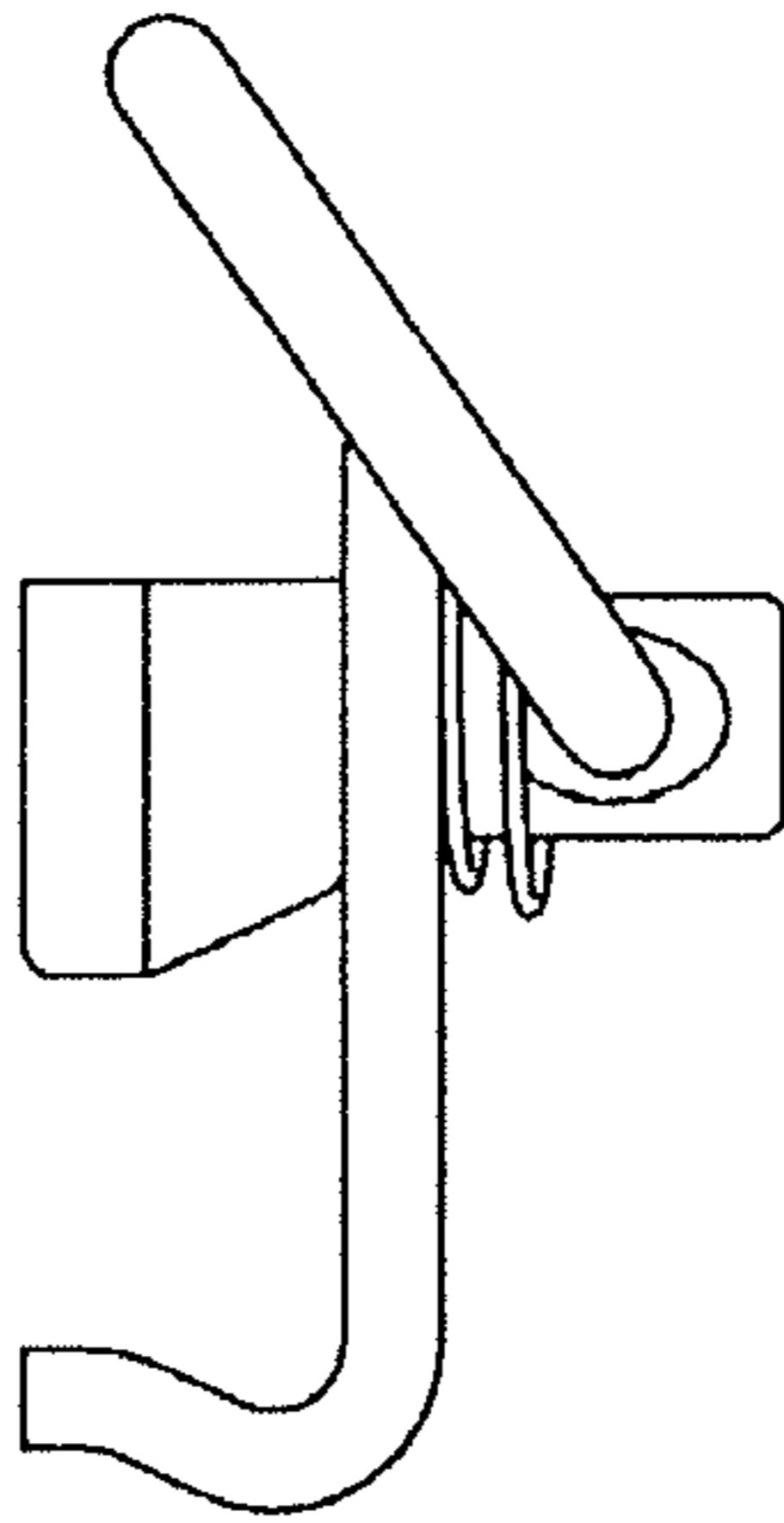


FIGURE 7

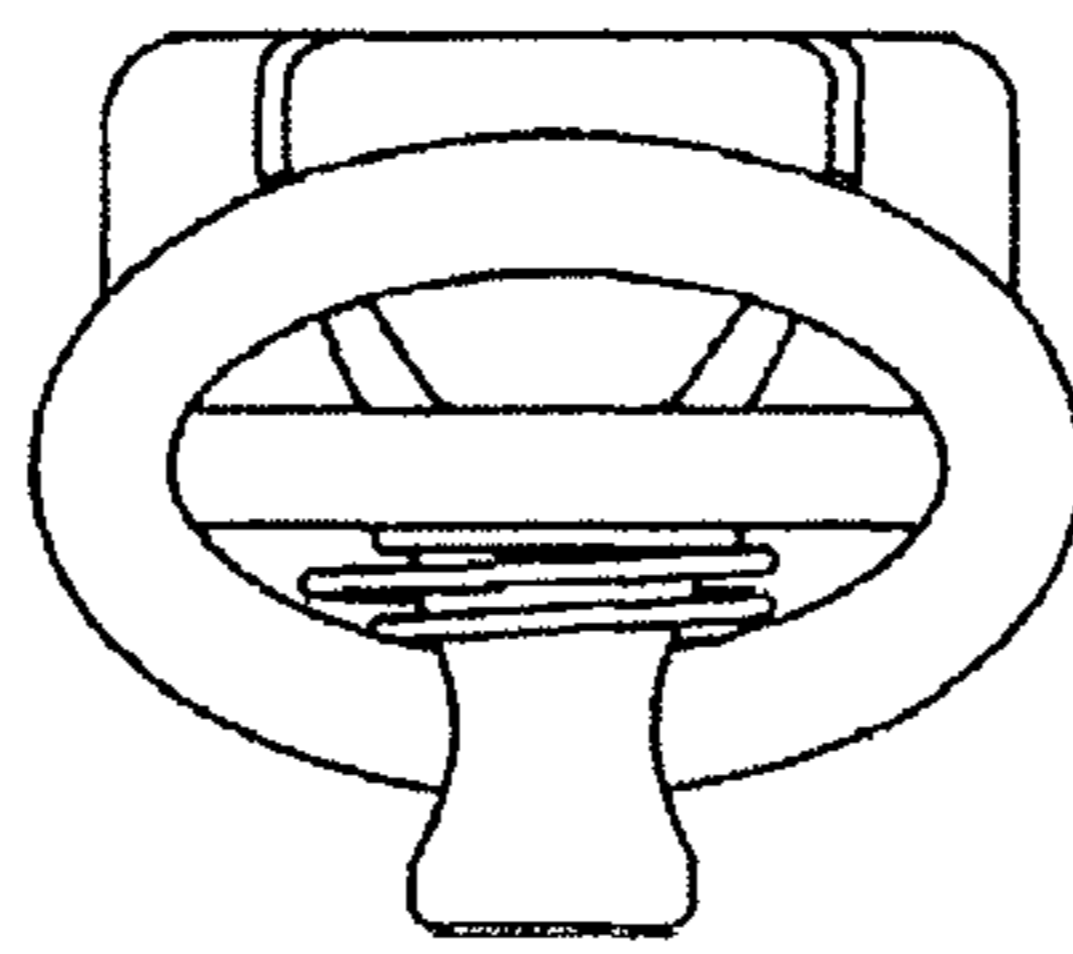


FIGURE 8

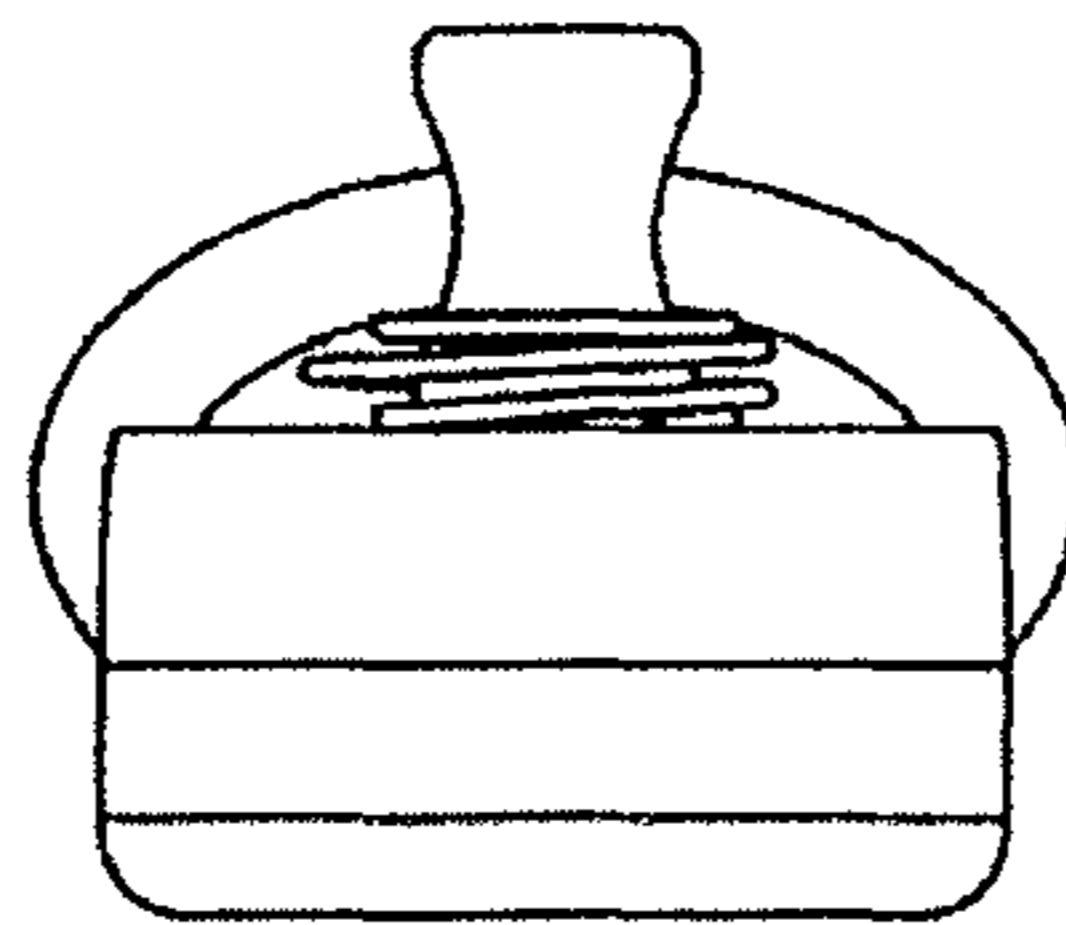


FIGURE 9