



US00D971810S

(12) **United States Design Patent** (10) **Patent No.:** **US D971,810 S**  
**Lee et al.** (45) **Date of Patent:** **\*\* Dec. 6, 2022**

(54) **FRONT BUMPER COVER FOR  
AUTOMOBILE**

(71) Applicants: **HYUNDAI MOTOR COMPANY,**  
Seoul (KR); **KIA CORPORATION,**  
Seoul (KR)

(72) Inventors: **Hyo-Sung Lee,** Seoul (KR); **Han-Mo  
Kang,** Hwasung-shi (KR)

(\*\*) Term: **15 Years**

(21) Appl. No.: **35/512,585**

(22) Filed: **May 31, 2021**

(80) **Hague Agreement Data**

Int. Filing Date: **May 31, 2021**

Int. Reg. No.: **DM/216169**

Int. Reg. Date: **May 31, 2021**

Int. Reg. Pub. Date: **Sep. 17, 2021**

(30) **Foreign Application Priority Data**

Feb. 5, 2021 (KR) ..... 30-2021-0006134

(51) **LOC (13) Cl.** ..... **12-16**

(52) **U.S. Cl.**  
USPC ..... **D12/196**

(58) **Field of Classification Search**

USPC ..... D12/82, 85, 86, 88, 89, 90, 91, 92, 93,  
D12/94, 96, 98, 99, 163, 164, 165, 166,  
D12/167, 169, 170, 171, 172, 173, 181,  
D12/184, 190, 196; D21/533, 548, 552,  
D21/561

CPC ..... B60R 19/00; B60R 19/02; B60R 19/04;  
B60R 19/18; B60R 19/24; B60R 19/26;  
B60R 19/44; B60R 19/48; B60R 19/52;  
B60R 2019/007; B60R 2019/026; B60R  
2019/525; B60R 2019/527; B60R  
2019/1813; B60R 2019/1833; B60R  
2019/1886; B62D 25/08; B62D 35/00;  
B62D 35/02

See application file for complete search history.

(56) **References Cited**

U.S. PATENT DOCUMENTS

D544,418 S \* 6/2007 Kono ..... D12/169  
D666,539 S \* 9/2012 Koizumi ..... D12/169  
D731,371 S \* 6/2015 Morikawa ..... D12/169  
D738,268 S \* 9/2015 Blanski ..... D12/169  
D760,629 S \* 7/2016 Chung ..... D12/169  
D813,117 S \* 3/2018 Sullivan ..... D12/169  
D821,942 S \* 7/2018 Oh ..... D12/169  
D854,979 S \* 7/2019 Krieg ..... D12/169  
D855,509 S \* 8/2019 Wilkins ..... D12/169  
D913,872 S \* 3/2021 Murakami ..... D12/169  
D919,503 S \* 5/2021 Ponomarenko ..... D12/169  
D934,760 S \* 11/2021 Giumentaro ..... D12/169  
D958,022 S \* 7/2022 Kim ..... D12/169

\* cited by examiner

*Primary Examiner* — Cary M Robinson

*Assistant Examiner* — Adam C Mager

(57) **CLAIM**

The ornamental design for a front bumper cover for auto-  
mobile, as shown and described.

**DESCRIPTION**

1. Front bumper cover for automobile

1.1 : Perspective

1.2 : Front

1.3 : Back

1.4 : Left

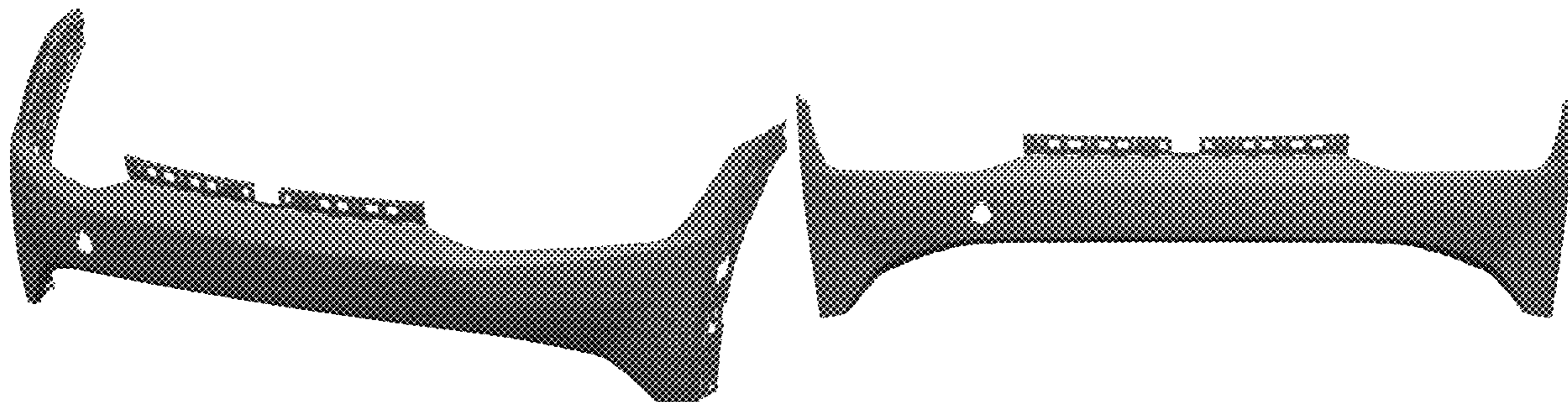
1.5 : Right

1.6 : Top

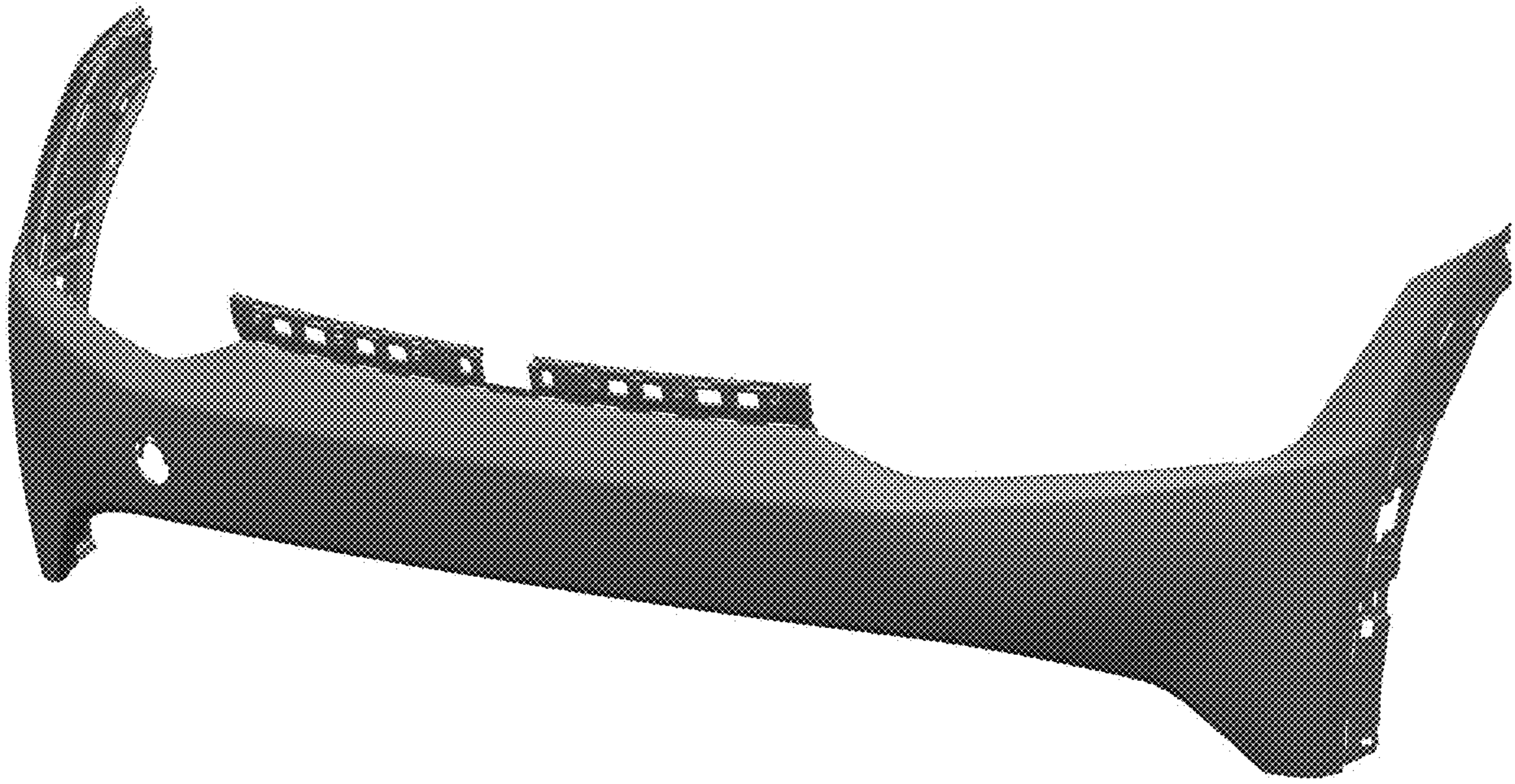
1.7 : Bottom

1.1 is a perspective view of a front bumper cover for automobile showing our new design; 1.2 is a front elevation view thereof; 1.3 is a rear elevation view thereof; 1.4 is a left side elevation view thereof; 1.5 is a right side elevation view thereof; 1.6 is a top plan view thereof; 1.7 is a bottom plan view thereof.

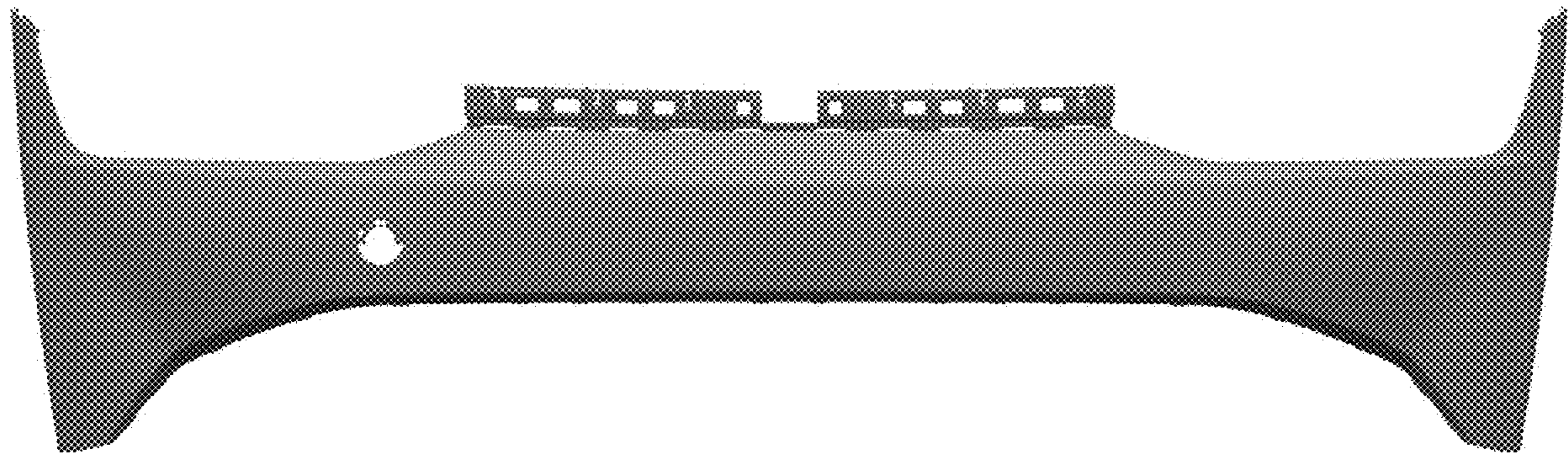
**1 Claim, 7 Drawing Sheets**



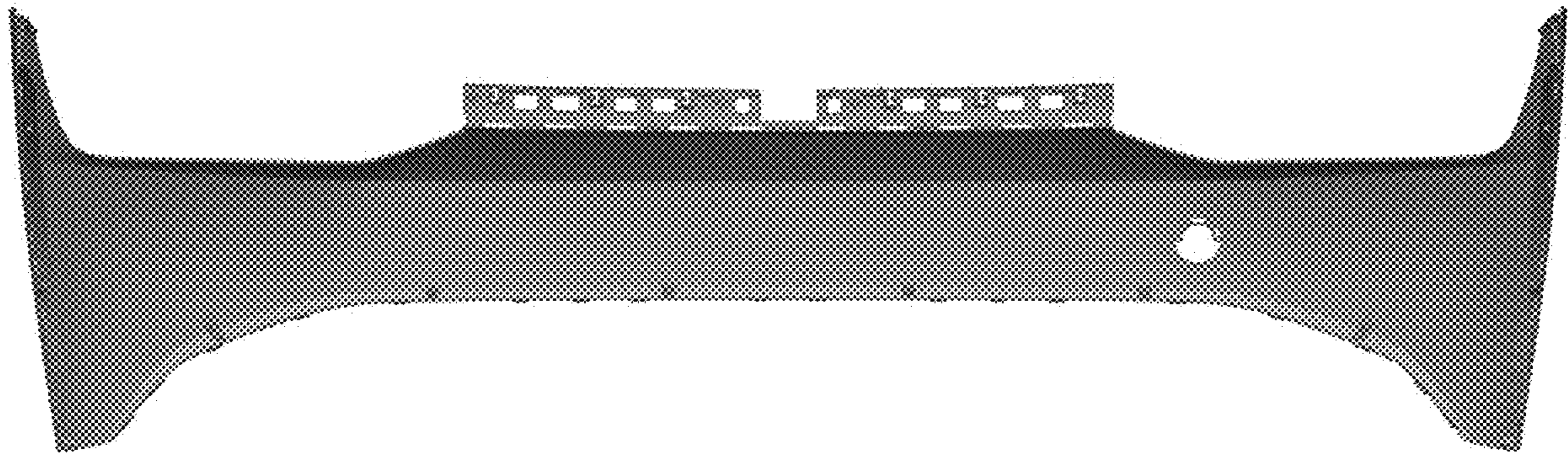
1.1



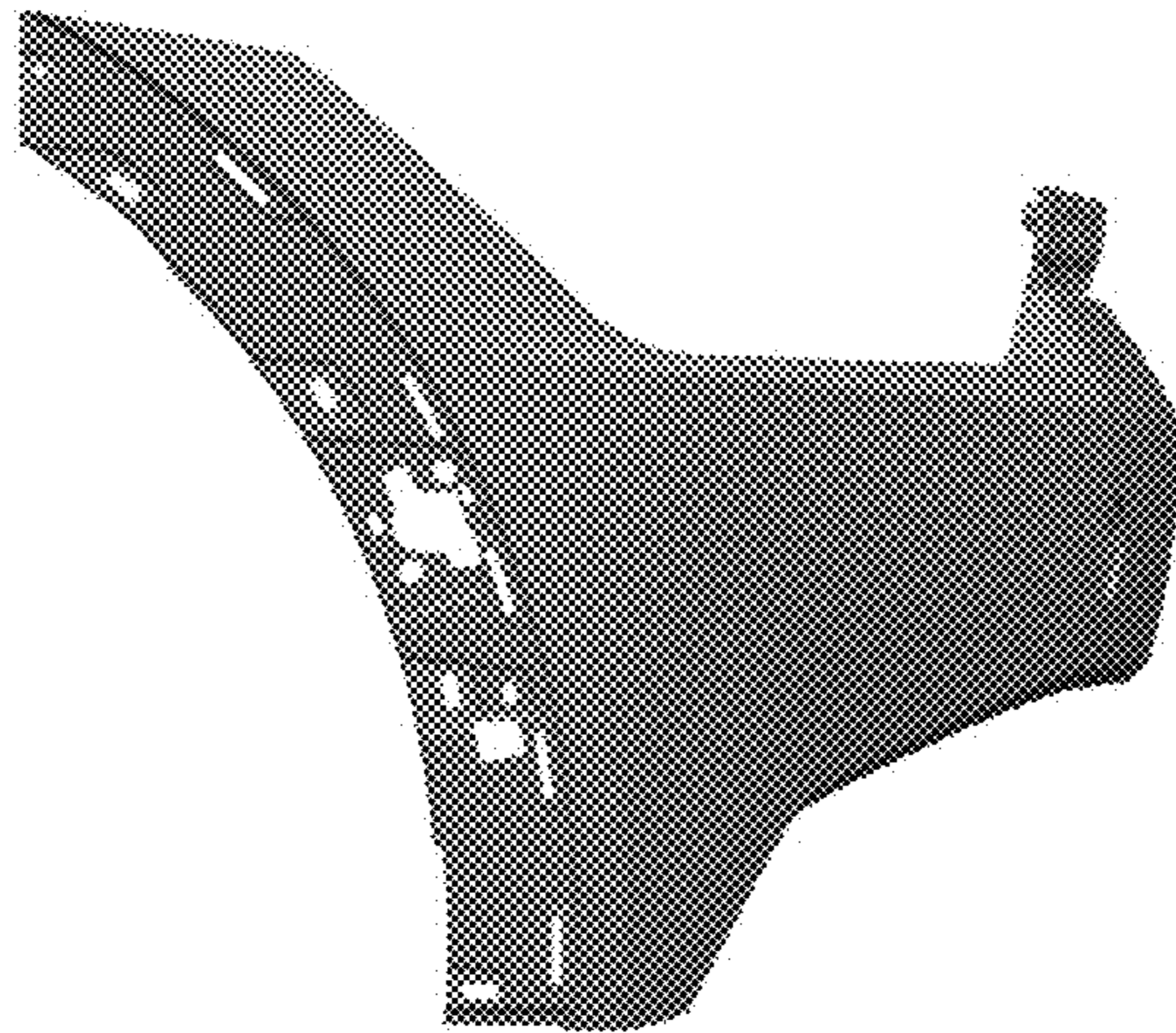
1.2



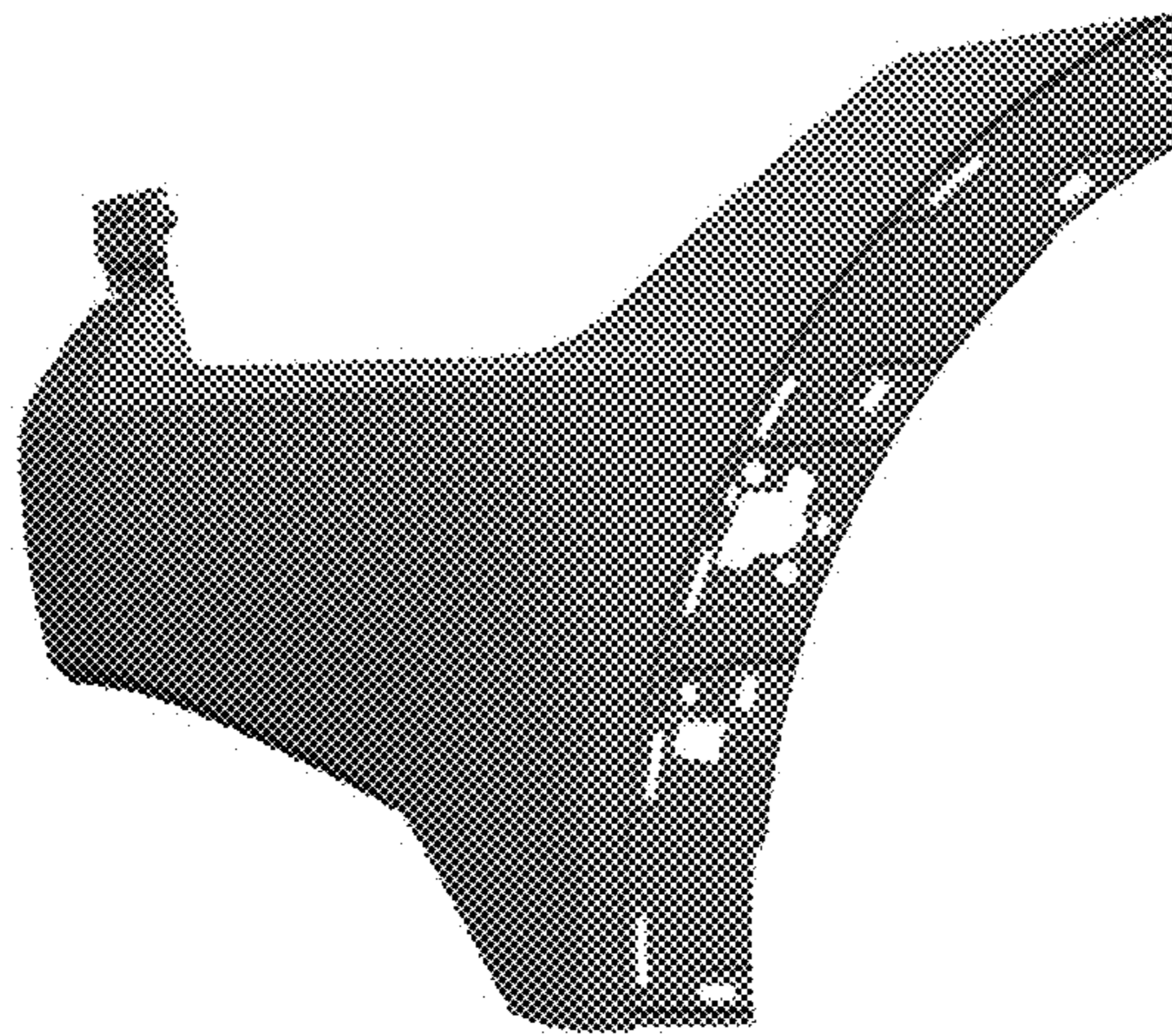
1.3

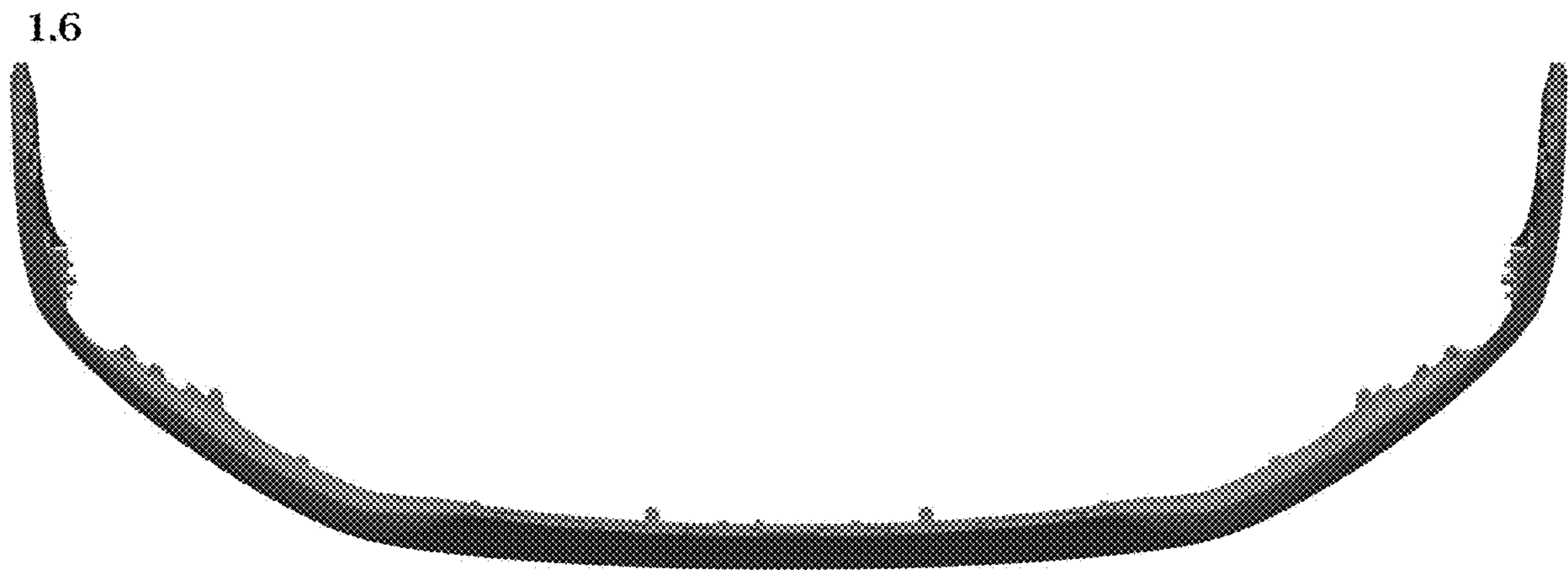


1.4



1.5





1.7

