



US00D971809S

(12) **United States Design Patent** (10) **Patent No.:** **US D971,809 S**  
**Park et al.** (45) **Date of Patent:** **\*\* Dec. 6, 2022**

(54) **FRONT DOOR PANEL FOR AN AUTOMOBILE**

(71) Applicants: **Hyundai Motor Company**, Seoul (KR); **Kia Corporation**, Seoul (KR)

(72) Inventors: **Yong Jin Park**, Seoul (KR); **Jun Young Kim**, Seoul (KR)

(73) Assignees: **Hyundai Motor Company**, Seoul (KR); **Kia Corporation**, Seoul (KR)

(\*\*) Term: **15 Years**

(21) Appl. No.: **35/512,580**

(22) Filed: **Mar. 16, 2021**

(80) **Hague Agreement Data**

Int. Filing Date: **Mar. 16, 2021**  
Int. Reg. No.: **DM/213408**  
Int. Reg. Date: **Mar. 16, 2021**  
Int. Reg. Pub. Date: **Sep. 17, 2021**

(30) **Foreign Application Priority Data**

Jan. 12, 2021 (KR) ..... 30-2021-0001556

(51) **LOC (13) Cl.** ..... **12-16**

(52) **U.S. Cl.**  
USPC ..... **D12/196**

(58) **Field of Classification Search**

USPC ... D12/1, 12, 13, 14, 15, 82, 84, 85, 86, 87, D12/88, 89, 90, 91, 92, 93, 94, 96, 97, D12/98, 99, 100, 181, 184, 190, 192, 195, D12/196, 400; D21/533, 548, 552, 561  
CPC ..... B60J 5/00; B60J 5/04; B60J 5/0412; B60J 5/0425; B60J 5/0437; B60J 5/0441; B60J 5/0444; B60J 5/0447; B60J 5/0463; B60J 5/0469; B60J 5/0476; B60J 5/0483; B60J 5/0486; B62D 25/02; B62D 25/04; B62D 35/00

See application file for complete search history.

(56) **References Cited**

U.S. PATENT DOCUMENTS

D786,761 S *	5/2017	Luk	.....	D12/196
D801,246 S *	10/2017	Lee	.....	D12/196
D827,534 S *	9/2018	Simm	.....	D12/196
D833,355 S *	11/2018	Lee	.....	D12/196
D873,752 S *	1/2020	Choi	.....	D12/196
D875,012 S *	2/2020	Lim	.....	D12/196
D890,057 S *	7/2020	Lim	.....	D12/196
D892,696 S *	8/2020	Kim	.....	D12/196
D930,544 S *	9/2021	Lee	.....	D12/196
D940,623 S *	1/2022	Kim	.....	B60J 5/00
				D12/196
D945,941 S *	3/2022	Kim	.....	D12/196
D951,839 S *	5/2022	Cho	.....	B62D 25/02
				D12/196
D956,650 S *	7/2022	Bae	.....	D12/196

OTHER PUBLICATIONS

Hyundai IONIQ 5, Published date unavailable [online], [retrieved on Jul. 19, 2022]. Retrieved from the Internet: <https://www.edmunds.com/hyundai/ioniq-5/> (Year: 2022).\*

\* cited by examiner

*Primary Examiner* — Cary M Robinson

*Assistant Examiner* — Adam C Mager

(74) *Attorney, Agent, or Firm* — Fox Rothschild LLP

(57) **CLAIM**

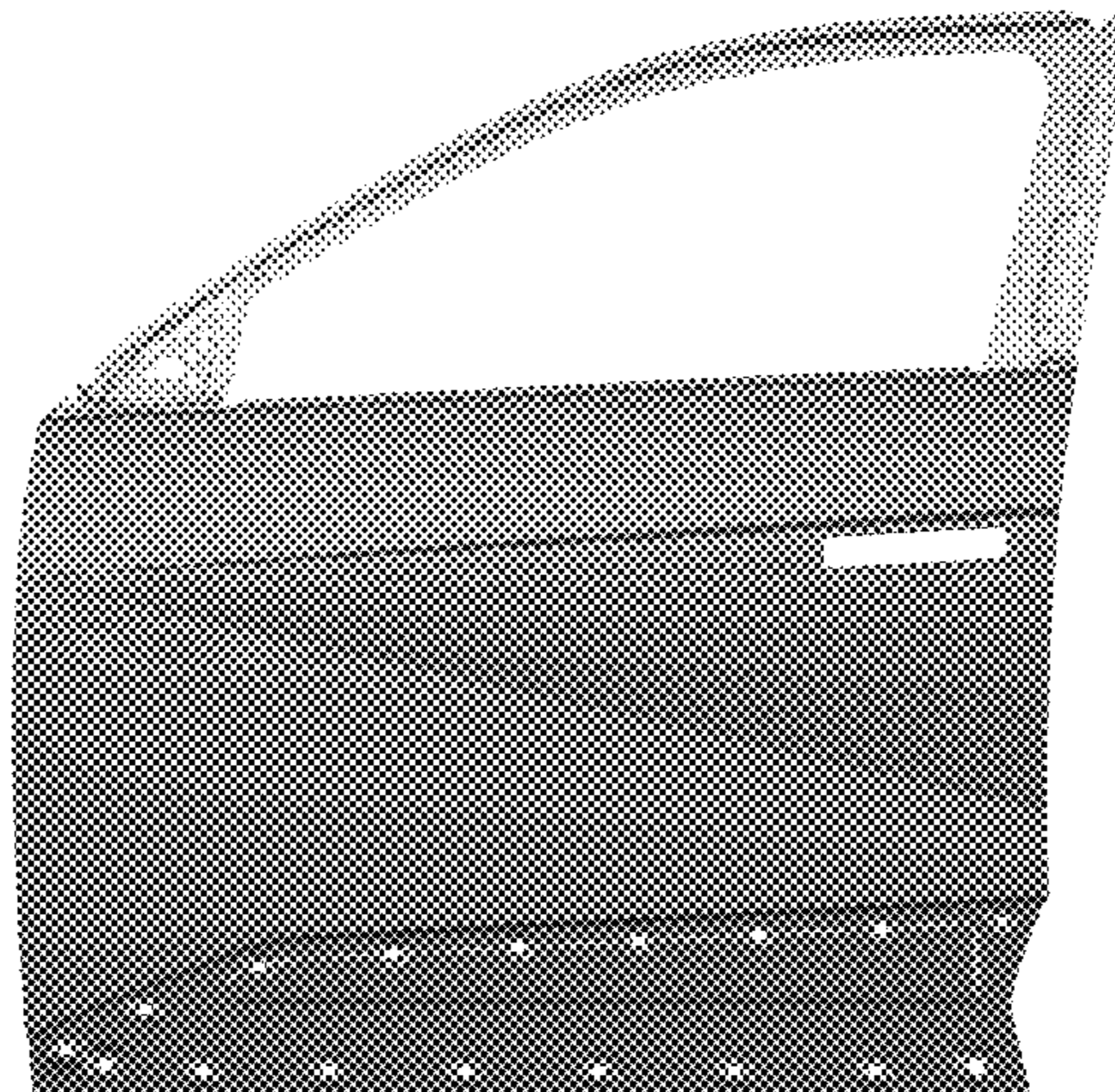
The ornamental design for a front door panel for an automobile, as shown and described.

**DESCRIPTION**

1. Front door panel for an automobile

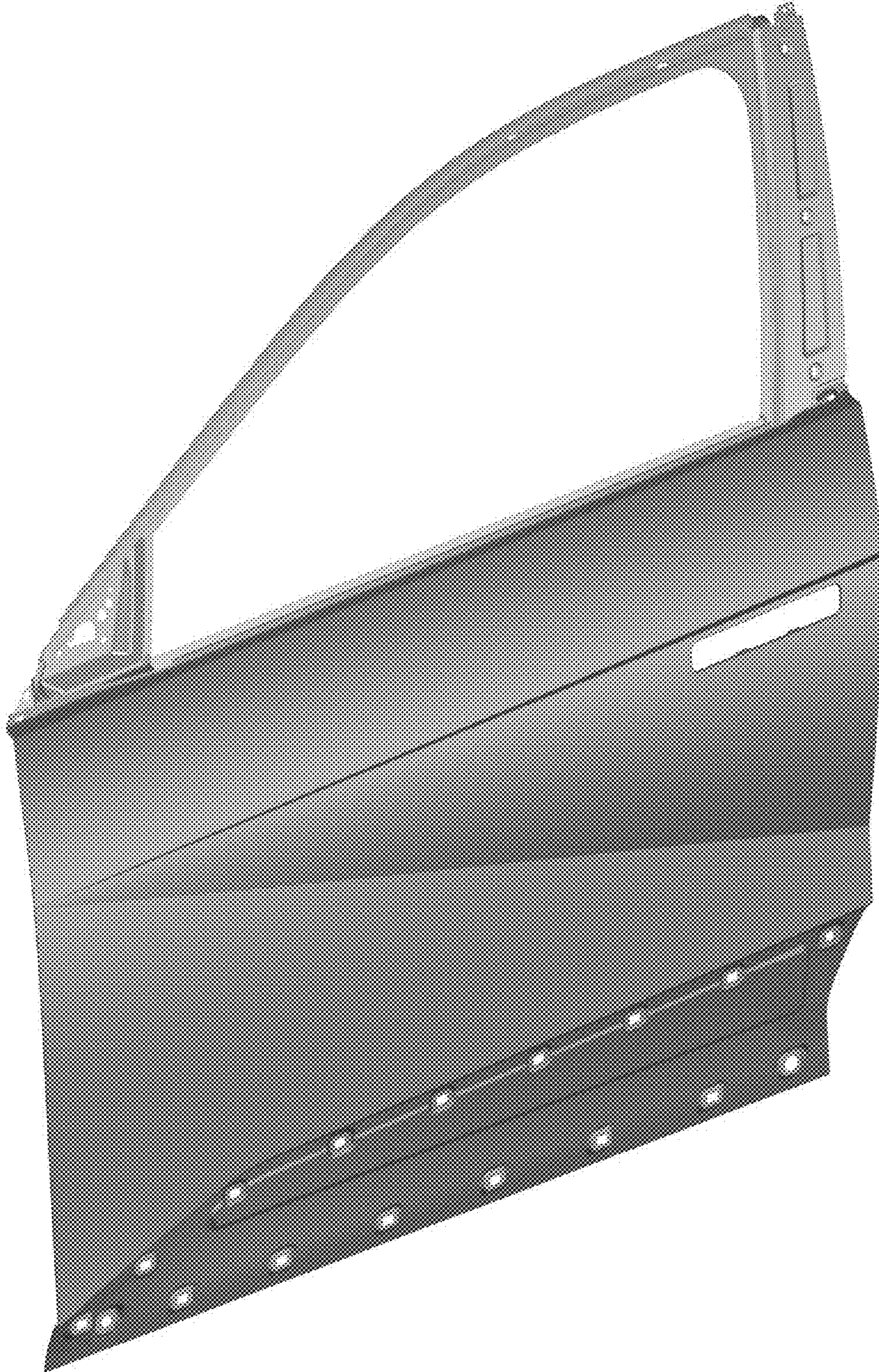
- 1.1 : Perspective
- 1.2 : Front
- 1.3 : Back
- 1.4 : Left
- 1.5 : Right
- 1.6 : Top
- 1.7 : Bottom

**1 Claim, 7 Drawing Sheets**



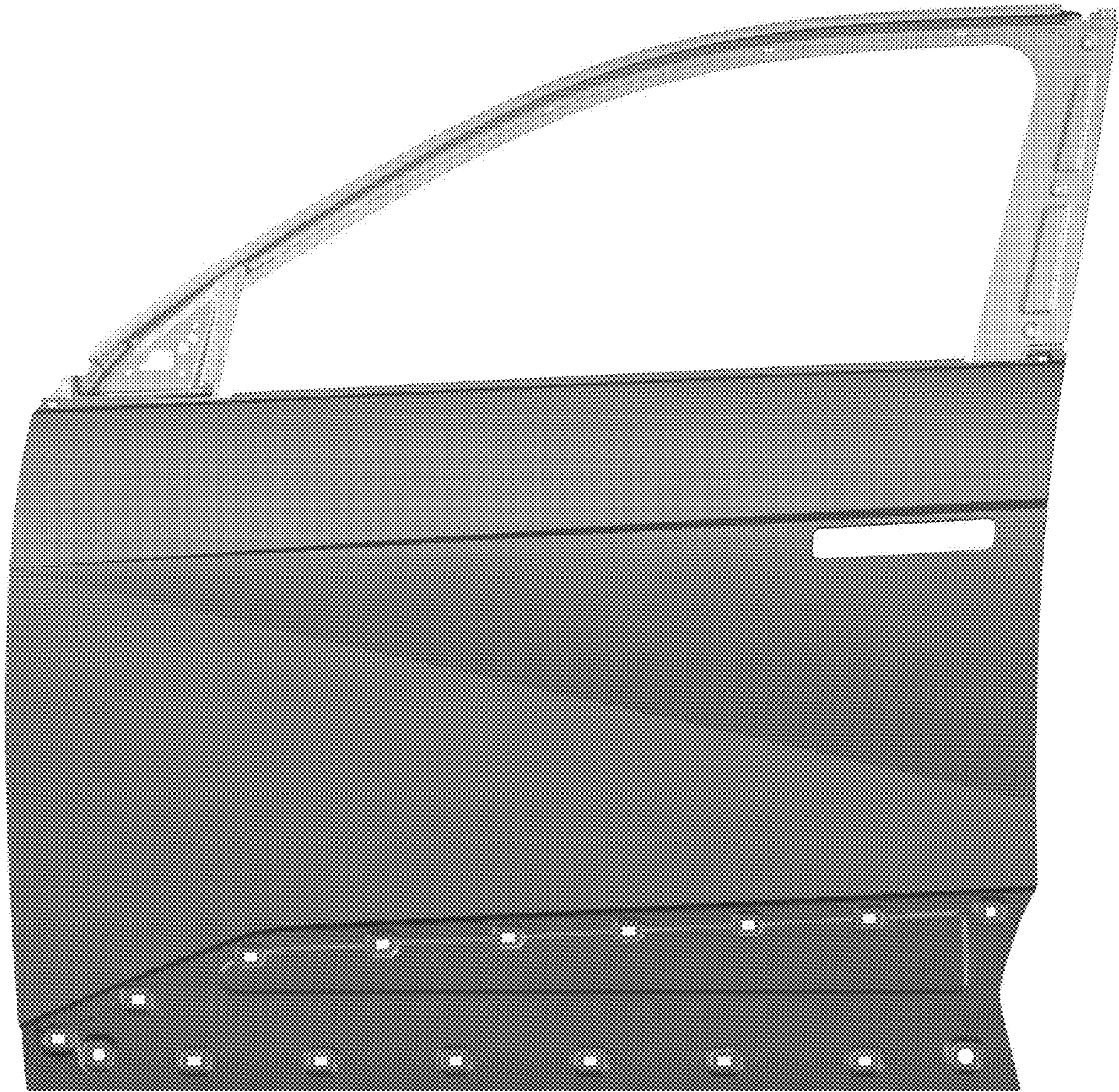


1.1



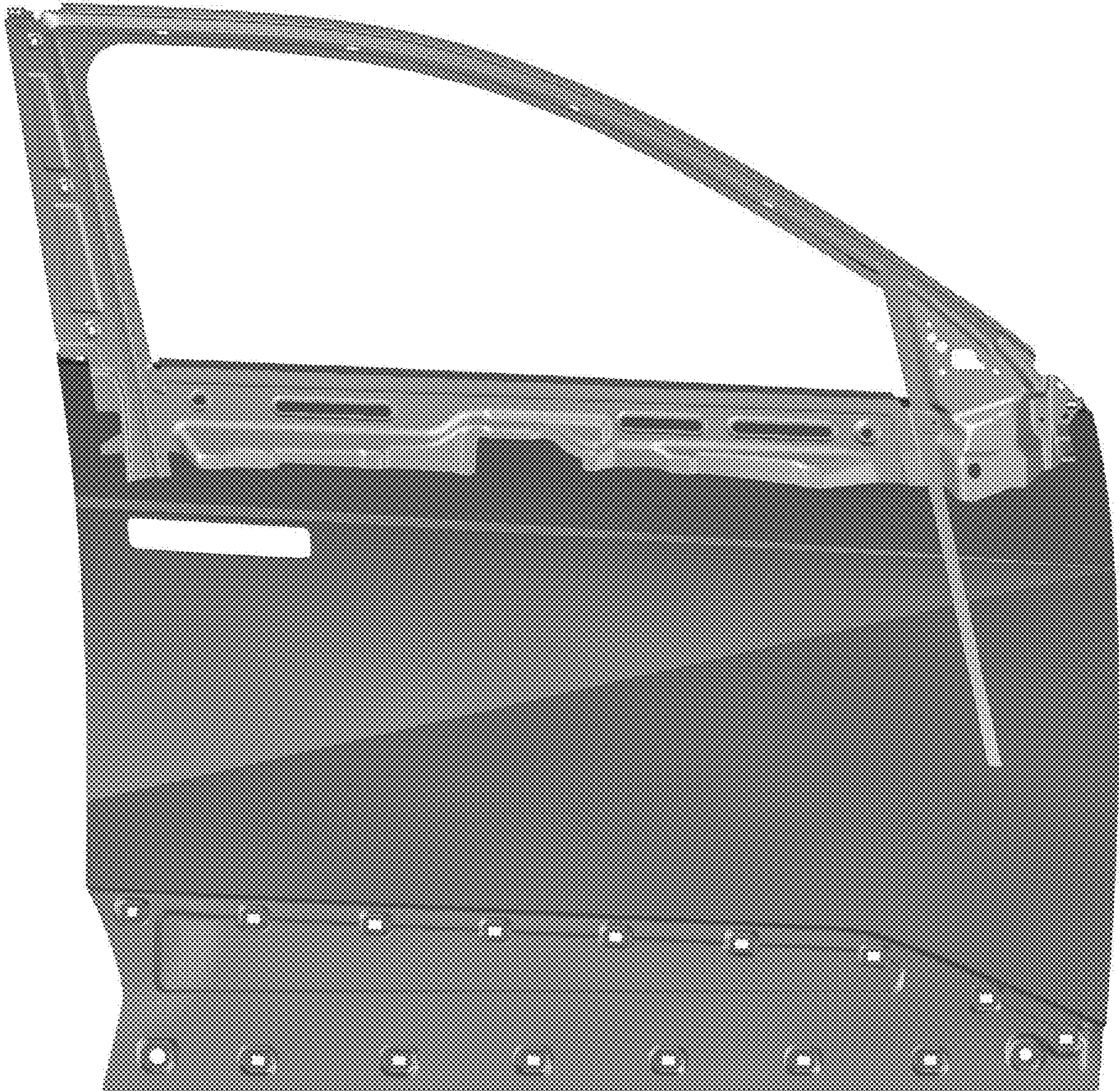


1.2

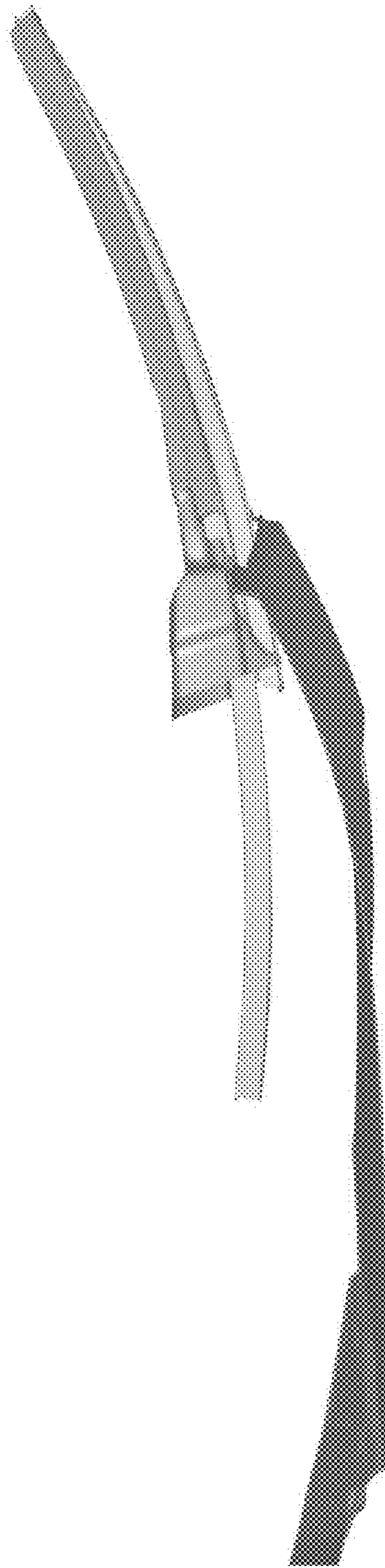




1.3



1.4

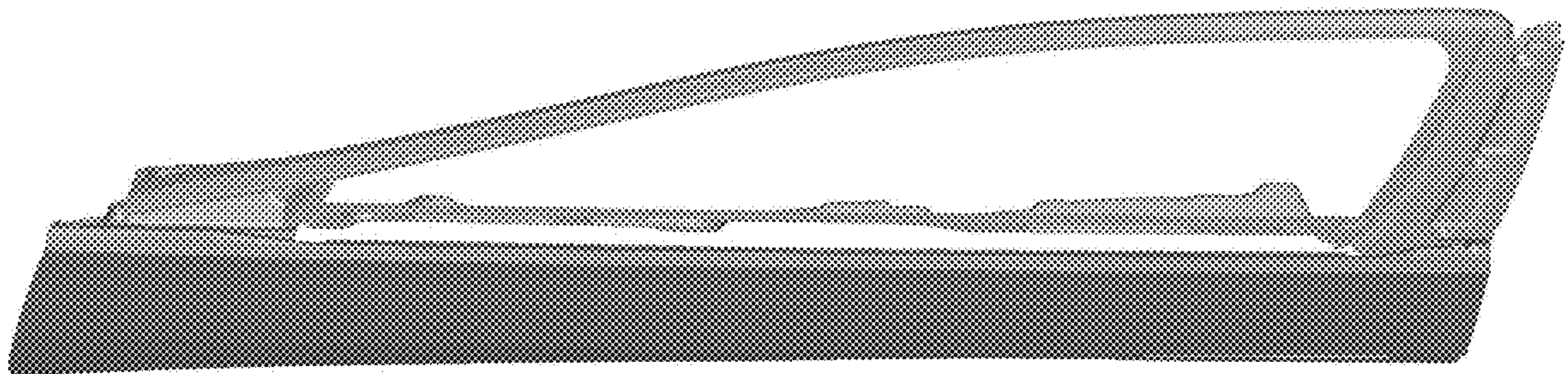




1.5



1.6



1.7

