



US00D971808S

(12) **United States Design Patent** (10) **Patent No.:** **US D971,808 S**
Park et al. (45) **Date of Patent:** **** Dec. 6, 2022**

(54) **REAR DOOR PANEL FOR AN AUTOMOBILE**

(56) **References Cited**

(71) Applicants: **Hyundai Motor Company**, Seoul (KR); **Kia Corporation**, Seoul (KR)

U.S. PATENT DOCUMENTS

(72) Inventors: **Yong Jin Park**, Seoul (KR); **Jun Young Kim**, Seoul (KR)

D785,530 S *	5/2017	Kyung	D12/196
D801,247 S *	10/2017	Lee	D12/196
D833,938 S *	11/2018	Lee	D12/196
D859,255 S *	9/2019	Lee	D12/196
D875,011 S *	2/2020	Choi	D12/196
D890,058 S *	7/2020	Lim	D12/196
D892,695 S *	8/2020	Oh	D12/196
D915,972 S *	4/2021	Kim	D12/196
D940,622 S *	1/2022	Kim	B60J 5/00
				D12/196
D951,164 S *	5/2022	Oh	B62D 25/02
				D12/196
D957,299 S *	7/2022	Bae	D12/196

(73) Assignees: **Hyundai Motor Company**, Seoul (KR); **Kia Corporation**, Seoul (KR)

(**) Term: **15 Years**

(21) Appl. No.: **35/512,543**

(22) Filed: **Mar. 16, 2021**

(80) **Hague Agreement Data**

Int. Filing Date: **Mar. 16, 2021**

Int. Reg. No.: **DM/213407**

Int. Reg. Date: **Mar. 16, 2021**

Int. Reg. Pub. Date: **Sep. 17, 2021**

(30) **Foreign Application Priority Data**

Jan. 12, 2021 (KR) 30-2021-0001537

(51) **LOC (13) Cl.** **12-16**

(52) **U.S. Cl.**
USPC **D12/196**

(58) **Field of Classification Search**

USPC ... D12/1, 12, 13, 14, 15, 82, 84, 85, 86, 87, D12/88, 89, 90, 91, 92, 93, 94, 96, 97, D12/98, 99, 100, 181, 184, 190, 192, 195, D12/196, 400; D21/533, 548, 552, 561
CPC B60J 5/00; B60J 5/04; B60J 5/0412; B60J 5/0425; B60J 5/0437; B60J 5/0441; B60J 5/0444; B60J 5/0447; B60J 5/0463; B60J 5/0469; B60J 5/0476; B60J 5/0483; B60J 5/0486; B62D 25/02; B62D 25/04; B62D 35/00

See application file for complete search history.

OTHER PUBLICATIONS

Hyundai IONIQ 5, Published date unavailable [online], [retrieved on Jul. 19, 2022]. Retrieved from the Internet: <https://www.edmunds.com/hyundai/ioniq-5/> (Year: 2022).*

* cited by examiner

Primary Examiner — Cary M Robinson

Assistant Examiner — Adam C Mager

(74) *Attorney, Agent, or Firm* — Fox Rothschild LLP

(57) **CLAIM**

The ornamental design for a rear door panel for an automobile, as shown and described.

DESCRIPTION

1. Rear door panel for an automobile

1.1 : Perspective

1.2 : Front

1.3 : Back

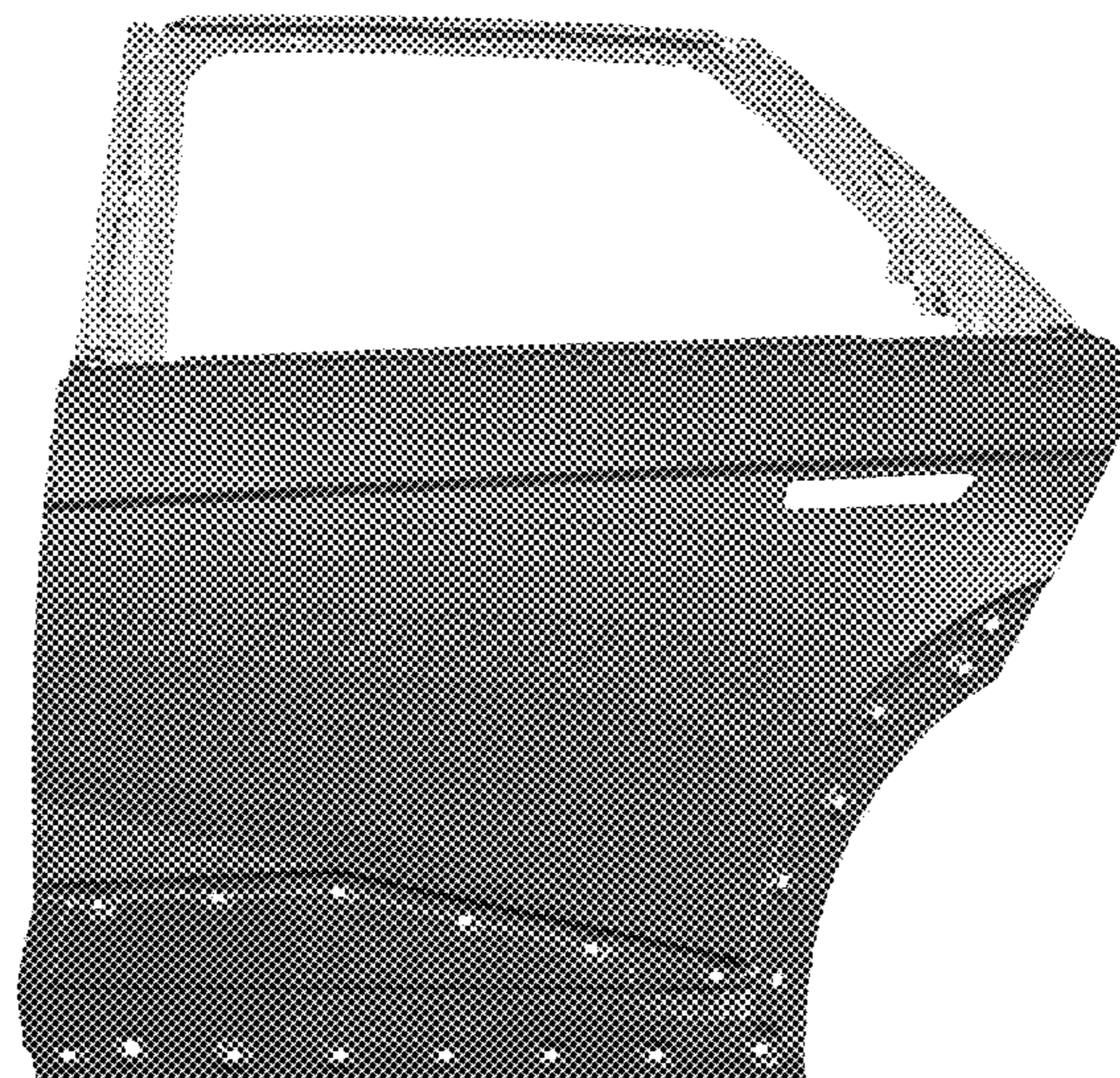
1.4 : Left

1.5 : Right

1.6 : Top

1.7 : Bottom

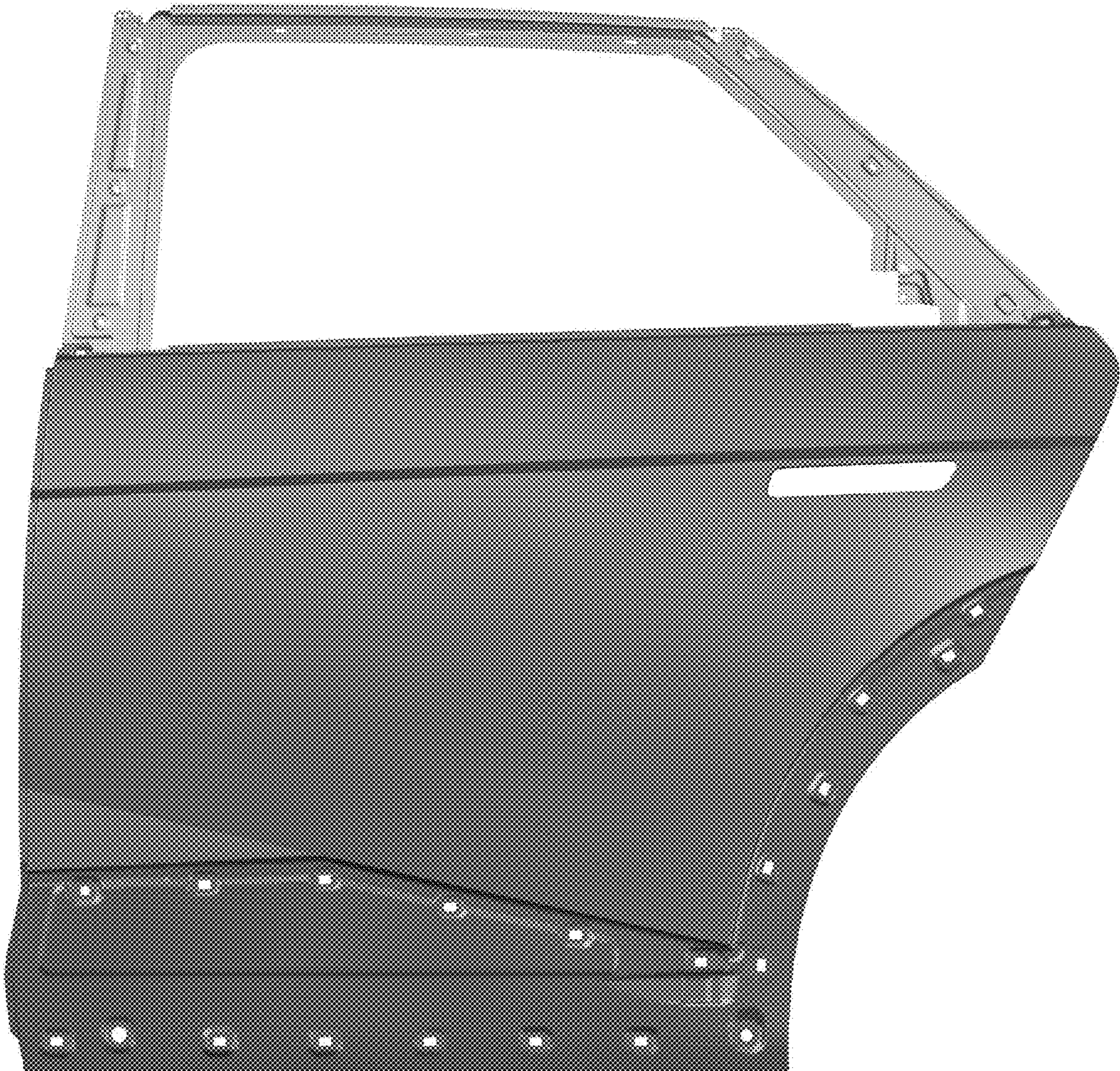
1 Claim, 7 Drawing Sheets



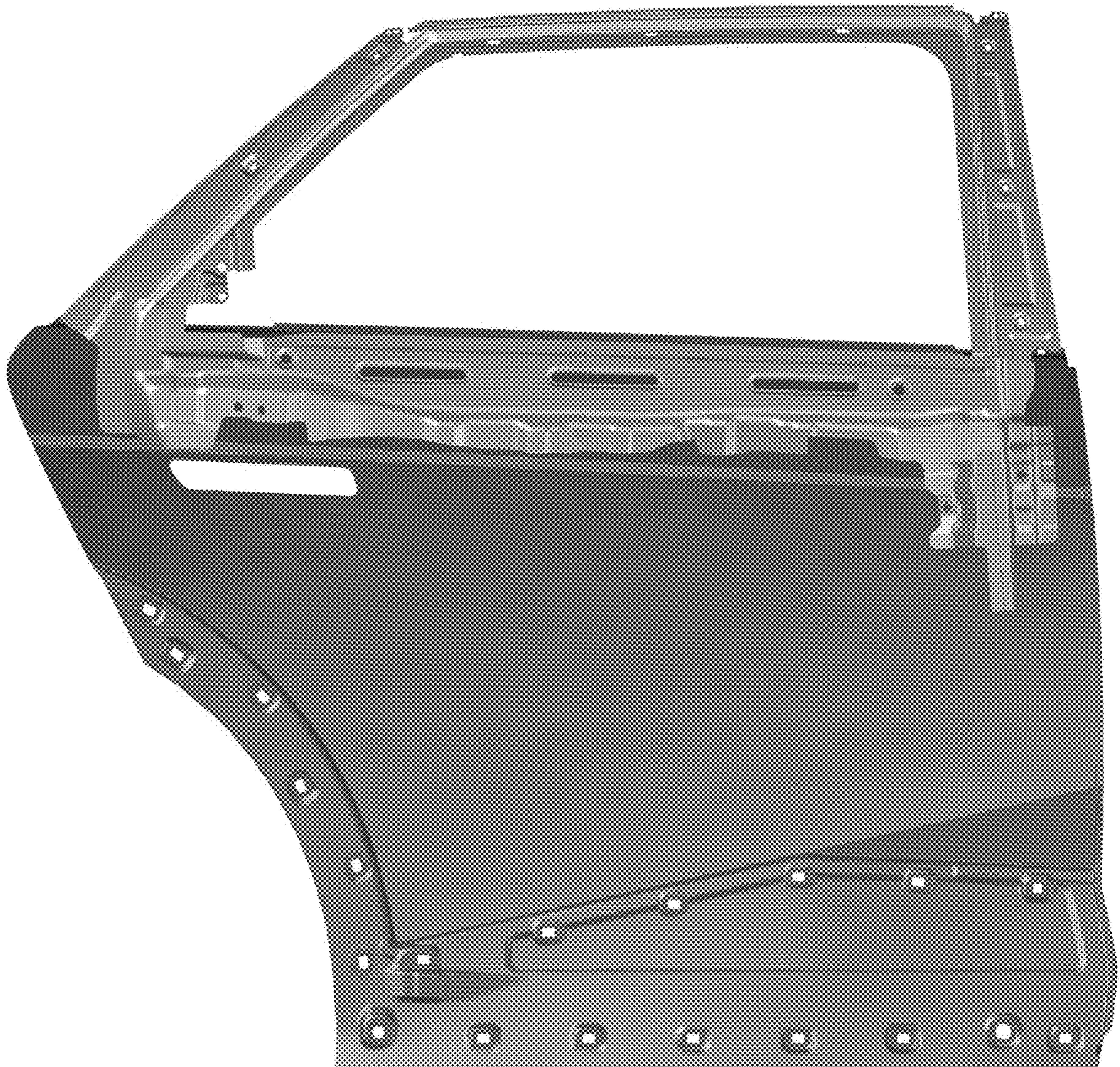
1.1



1.2



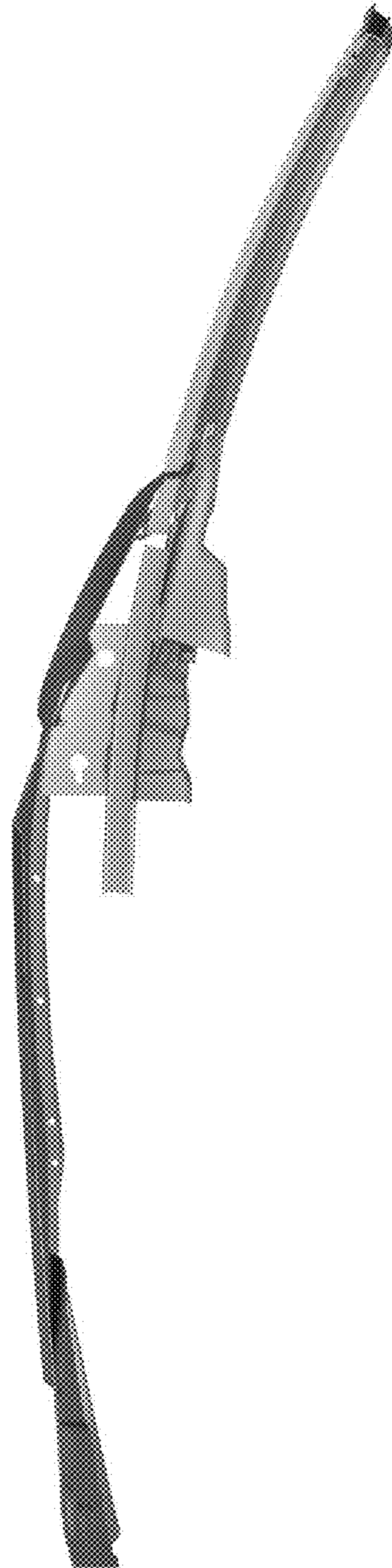
1.3



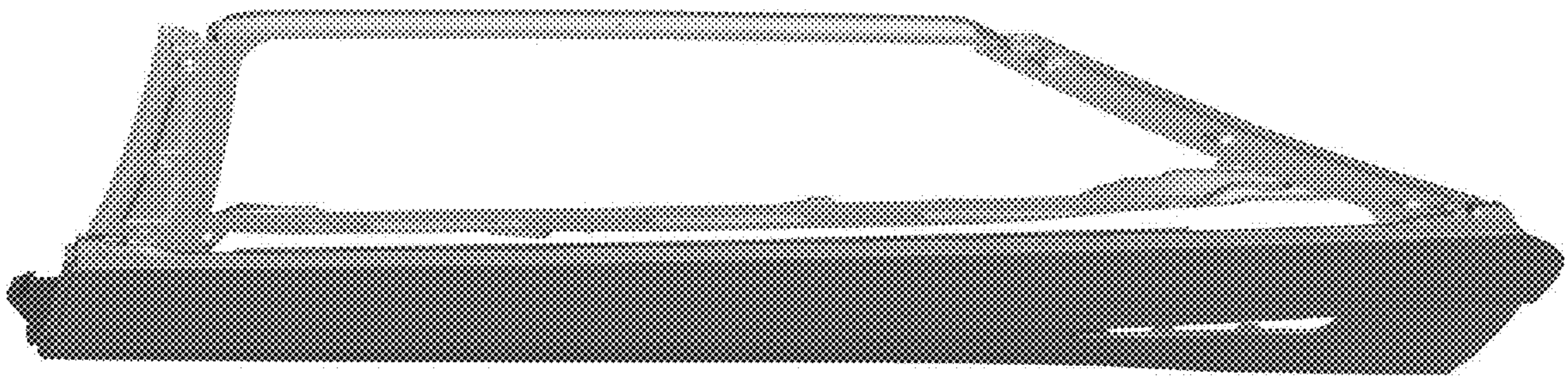
1.4



1.5



1.6



1.7

