



US00D971807S

(12) **United States Design Patent** (10) **Patent No.:** **US D971,807 S**
Cho et al. (45) **Date of Patent:** **** Dec. 6, 2022**

(54) **FRONT DOOR PANEL FOR AUTOMOBILE**

(71) Applicants: **HYUNDAI MOTOR COMPANY**,
Seoul (KR); **KIA MOTORS**
CORPORATION, Seoul (KR)

(72) Inventors: **Kyeong-Kuk Cho**, Busan (KR);
Jung-Yong Park, Hwaseong-si (KR)

(**) Term: **15 Years**

(21) Appl. No.: **35/511,518**

(22) Filed: **Nov. 6, 2020**

(80) **Hague Agreement Data**

Int. Filing Date: **Nov. 6, 2020**
Int. Reg. No.: **DM/212923**
Int. Reg. Date: **Nov. 6, 2020**
Int. Reg. Pub. Date: **Mar. 12, 2021**

(30) **Foreign Application Priority Data**

Jun. 1, 2020 (KR) 30-2020-0024254

(51) **LOC (13) Cl.** **12-16**

(52) **U.S. Cl.**
USPC **D12/196**

(58) **Field of Classification Search**
USPC D12/90, 91, 92, 184, 196
CPC B62D 24/00; B62D 24/02; B62D 25/02;
B62D 25/18; B62D 25/08; B62D 35/00;
B60J 5/04; B60R 19/02; B60R 19/04
See application file for complete search history.

(56) **References Cited**

U.S. PATENT DOCUMENTS

D556,111 S * 11/2007 Levy D12/196
D580,332 S * 11/2008 Gueler D12/196
D636,317 S * 4/2011 Matei D12/196
D695,663 S * 12/2013 Suga D12/196

D706,190 S * 6/2014 Sakae D12/196
D775,567 S * 1/2017 Faghihzadeh D12/196
D786,761 S * 5/2017 Luk D12/196
D801,246 S * 10/2017 Lee D12/196
D823,766 S * 7/2018 Han D12/196
D827,534 S * 9/2018 Simm D12/196
D834,481 S * 11/2018 Lim D12/196
D840,307 S * 2/2019 Chan D12/196
D848,334 S * 5/2019 Tomasson D12/196
D860,895 S * 9/2019 Lee D12/196
D863,170 S * 10/2019 Zipfel D12/196
D867,951 S * 11/2019 Izard D12/196
D873,752 S * 1/2020 Choi D12/196
D890,057 S * 7/2020 Lim D12/196
D915,973 S * 4/2021 Kim D12/196
2011/0219700 A1 * 9/2011 Grudzinski B60J 10/75
49/493.1
2013/0020816 A1 * 1/2013 Saitou E05B 17/0012
292/336.3
2013/0341961 A1 * 12/2013 Mori B60J 5/0402
49/452
2014/0132025 A1 * 5/2014 Usami B60J 1/2063
296/97.8
2015/0035310 A1 * 2/2015 Yamaguchi B60R 13/0206
296/153

(Continued)

Primary Examiner — Darlington Ly

(57) **CLAIM**

The ornamental design for a front door panel for automobile,
as shown and described.

DESCRIPTION

1. Front door panel for automobile
1.1 is a front perspective view of a front door panel for
automobile embodying our new design;
1.2 is a front elevation view thereof;
1.3 is a rear elevation view thereof;
1.4 is a left side elevation view thereof;
1.5 is a right side elevation view thereof;
1.6 is a top plan view thereof; and
1.7 is a bottom plan view thereof.

1 Claim, 7 Drawing Sheets



(56)

References Cited

U.S. PATENT DOCUMENTS

2016/0114658 A1* 4/2016 Yokota B60J 10/45
49/504
2018/0051492 A1* 2/2018 Smith E05B 79/06

* cited by examiner

1.1



1.2



1.3

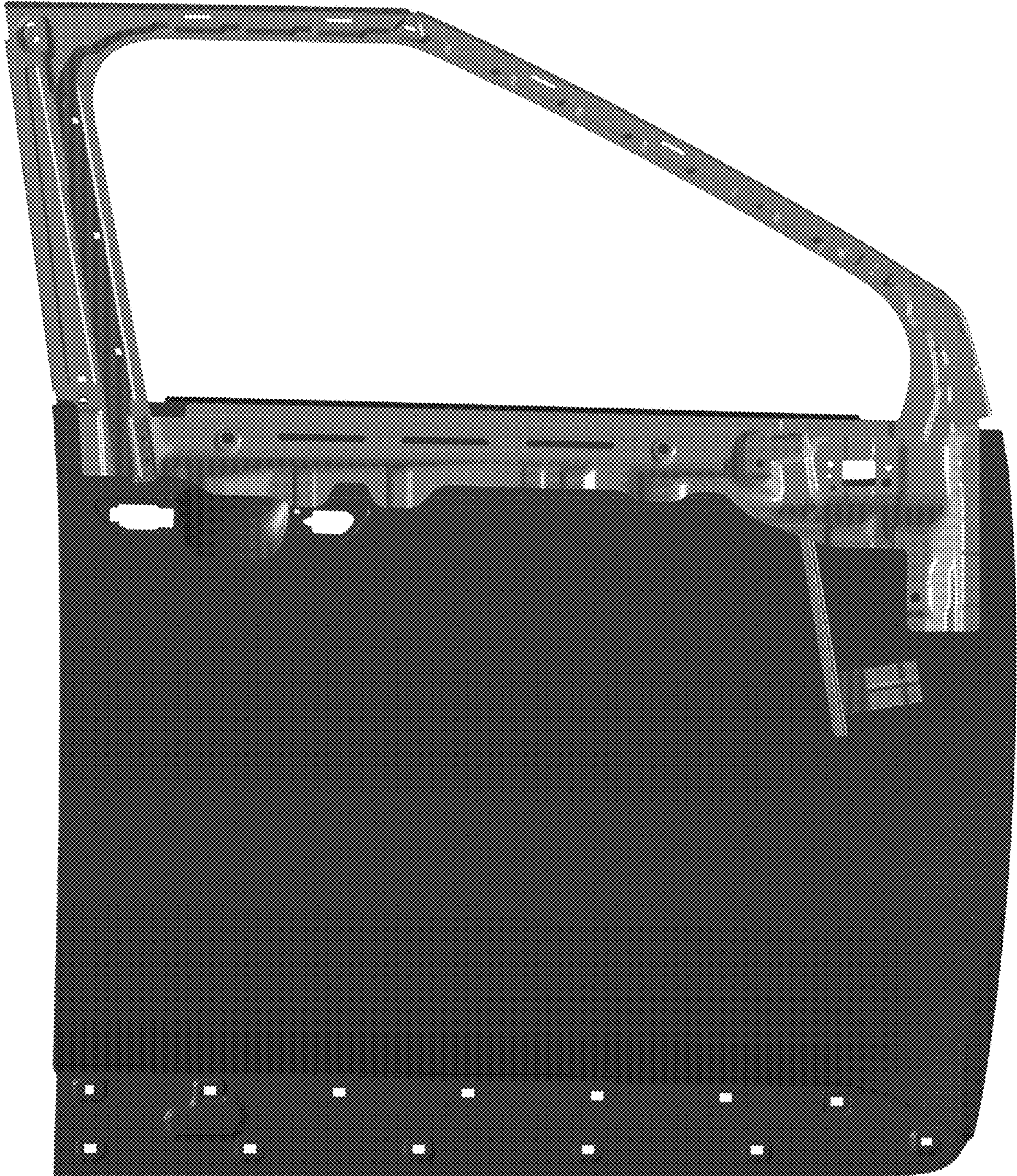


FIG. 1.4

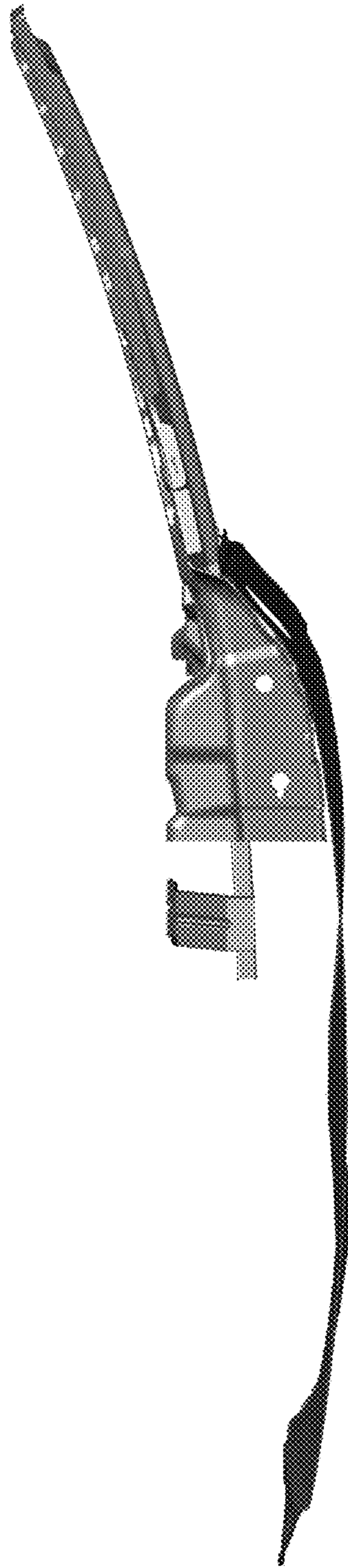


FIG. 1.5

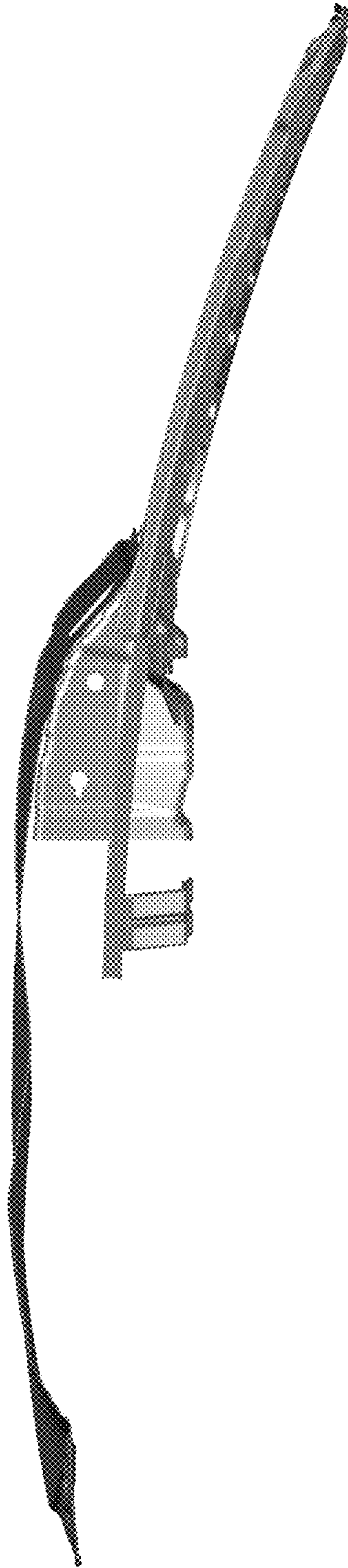


FIG. 1.6

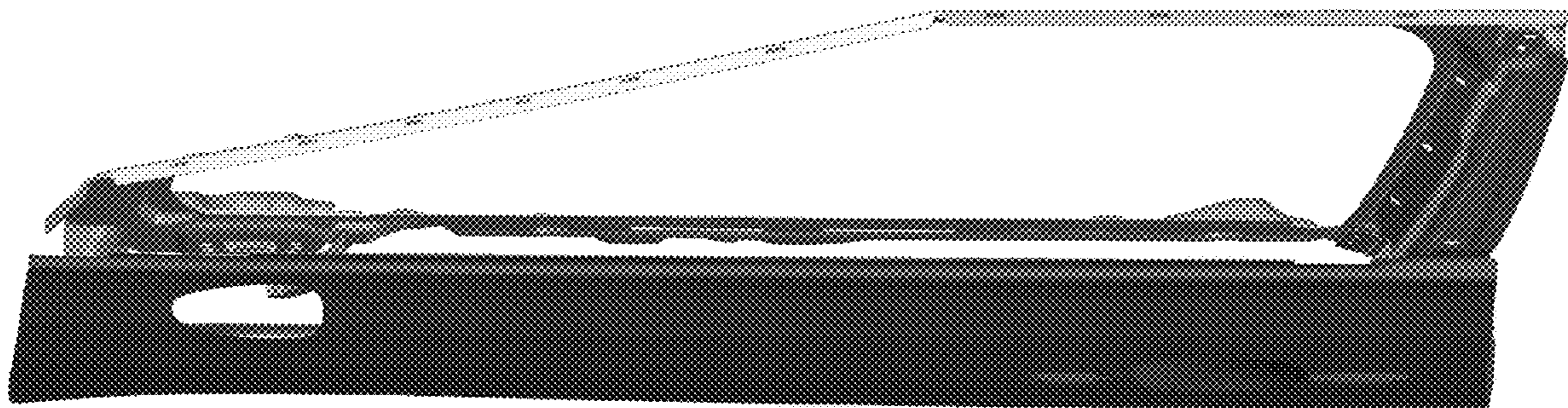


FIG. 1.7

