



US00D971805S

(12) **United States Design Patent**  
**Szczupak et al.**

(10) **Patent No.:** **US D971,805 S**

(45) **Date of Patent:** **\*\* Dec. 6, 2022**

(54) **VEHICLE STORAGE DOOR**

(71) Applicant: **Rivian IP Holdings, LLC**, Plymouth, MI (US)

(72) Inventors: **Jonathan Szczupak**, Troy, MI (US); **Luke Mack**, Detroit, MI (US); **Paul Hoste**, White Lake, MI (US)

(73) Assignee: **Rivian IP Holdings, LLC**, Plymouth, MI (US)

(\*\*) Term: **15 Years**

(21) Appl. No.: **29/763,369**

(22) Filed: **Dec. 22, 2020**

(51) **LOC (13) Cl.** ..... **12-16**

(52) **U.S. Cl.**  
USPC ..... **D12/195**

(58) **Field of Classification Search**  
USPC ..... D8/301, 302, 306, 308, 321, 313, 336, D8/337, 338, 339, 341, 330; D12/195, D12/426, 400, 406, 415-420, 424, 425, D12/155, 156, 190, 192, 181, 196, 317, D12/404

See application file for complete search history.

(56) **References Cited**

**U.S. PATENT DOCUMENTS**

D336,418 S \* 6/1993 Carter ..... D10/104.1  
D419,421 S \* 1/2000 Larsen ..... D8/306

D420,971 S \* 2/2000 Sacco ..... D12/416  
D427,045 S \* 6/2000 Larsen ..... D8/302  
D661,172 S \* 6/2012 Pickar ..... D8/301  
D807,265 S \* 1/2018 McNutt ..... D12/190  
D932,405 S \* 10/2021 Setina ..... D12/195

\* cited by examiner

*Primary Examiner* — Susan E Krakower

*Assistant Examiner* — Jerry Shiuang-Hua Hsu

(74) *Attorney, Agent, or Firm* — Haley Guiliano LLP; James A. Leiz; Stefan D. Osterbur

(57) **CLAIM**

The ornamental design for a vehicle storage door, as shown and described.

**DESCRIPTION**

FIG. 1 is a front view of the vehicle storage door showing our new design;

FIG. 2 is a rear view thereof;

FIG. 3 is a right side view thereof;

FIG. 4 is a left side view thereof;

FIG. 5 is a front, right, lower corner perspective view thereof;

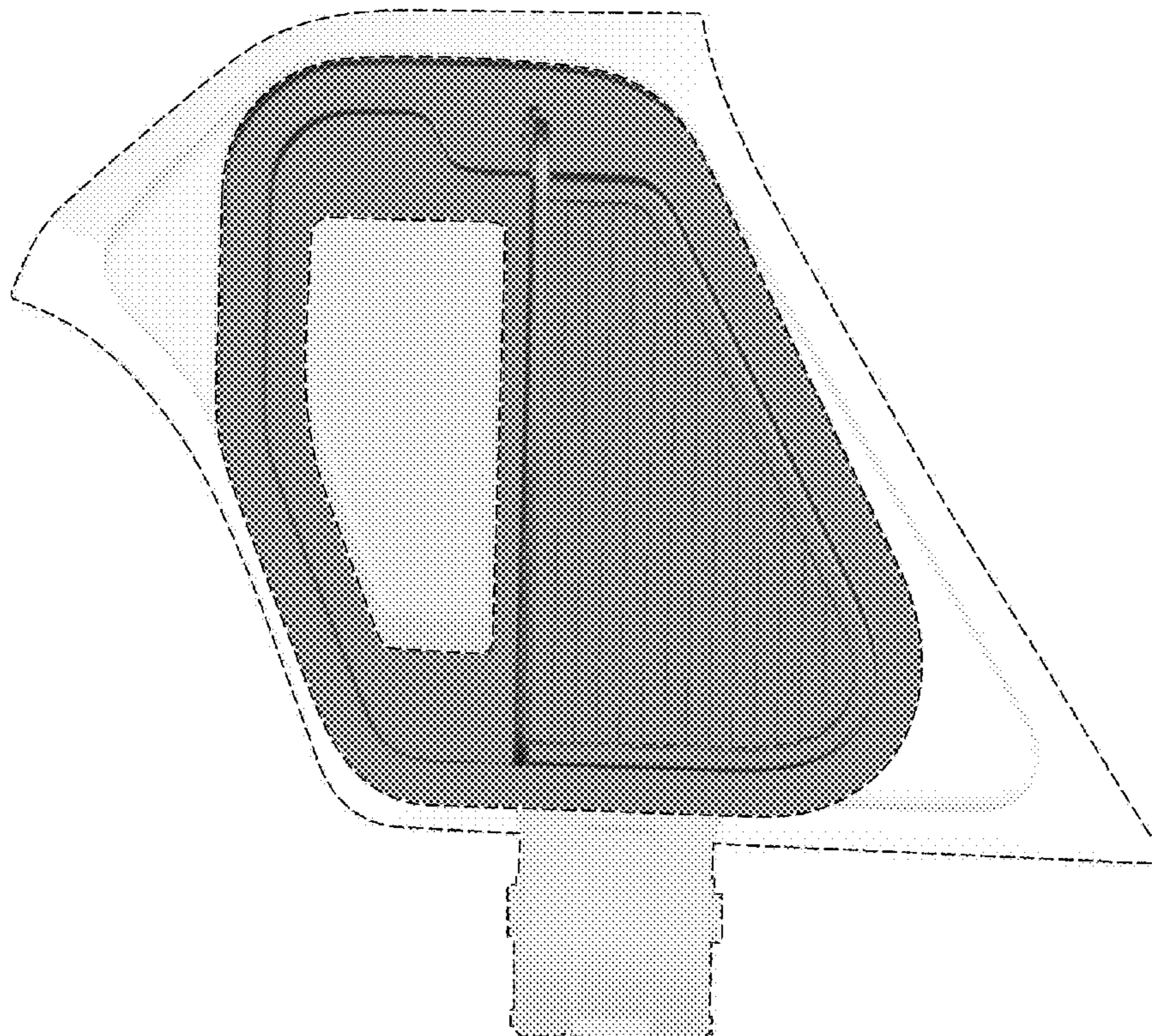
FIG. 6 is a front, left, lower corner perspective view thereof;

FIG. 7 is a front, right, upper corner perspective view thereof; and,

FIG. 8 is a front, left, upper corner perspective view thereof.

The dashed broken lines represent boundaries of the design; the dashed broken lines themselves and the areas within form no part of the claimed design.

**1 Claim, 8 Drawing Sheets**





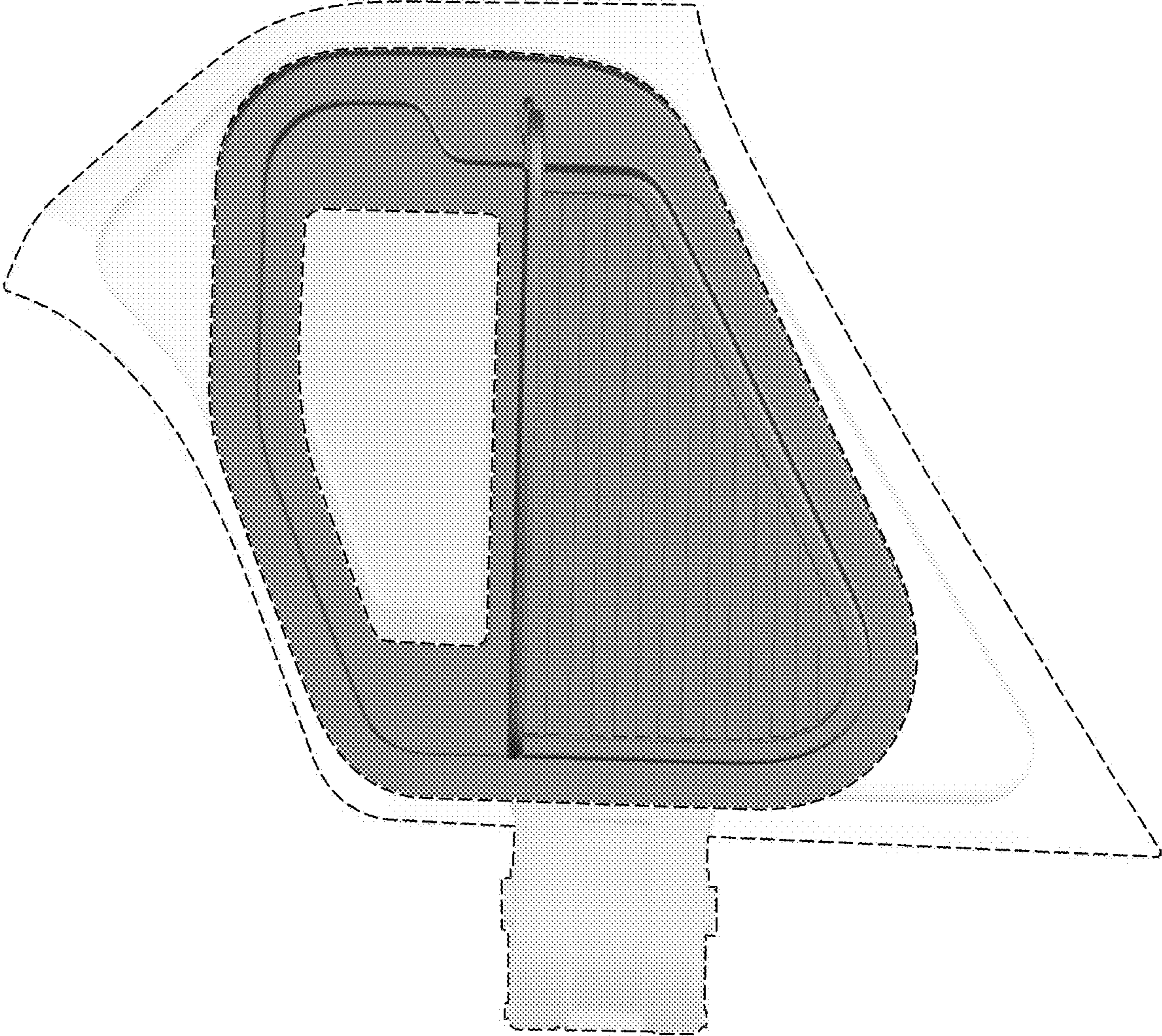


FIG. 1

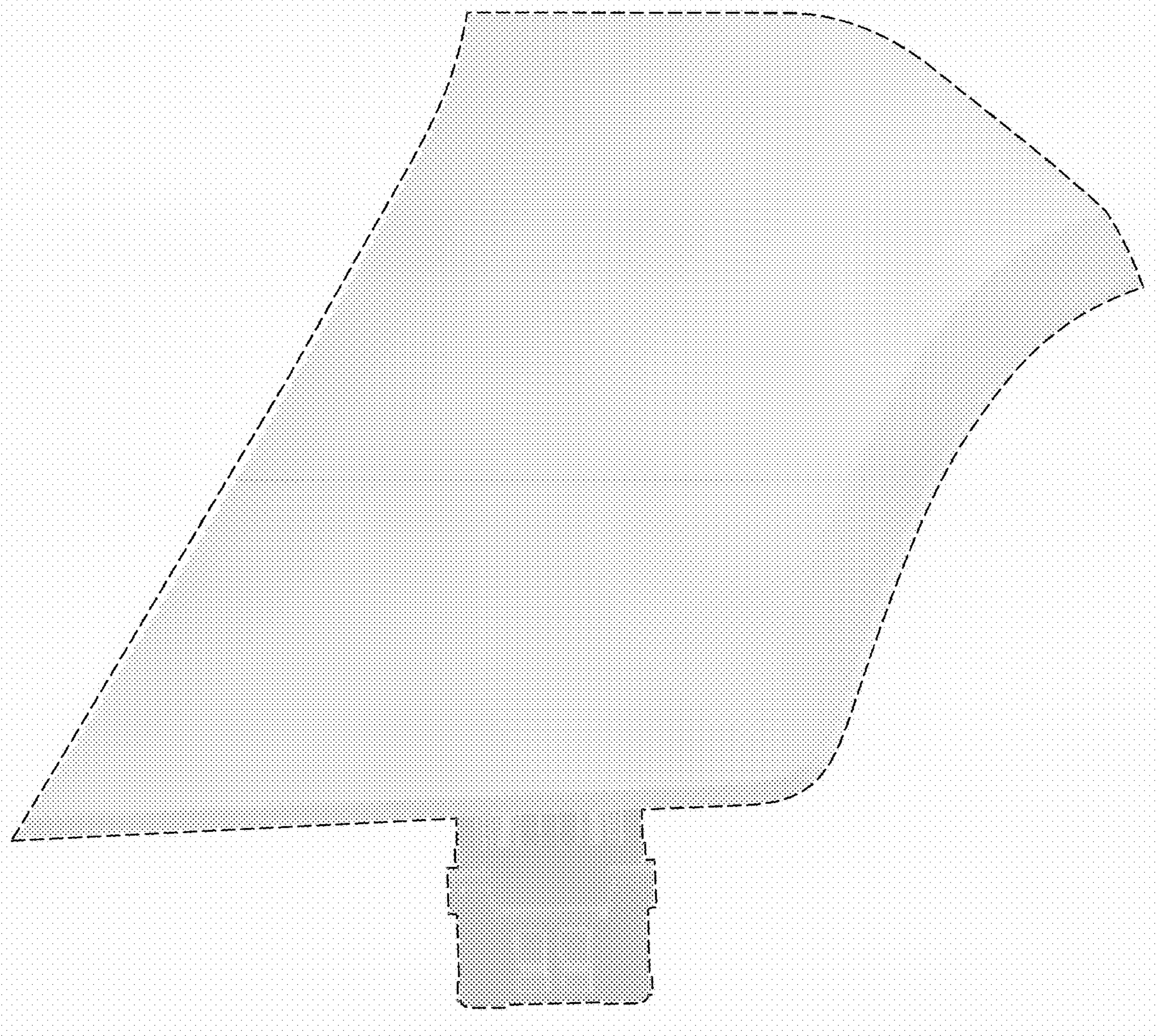


FIG. 2



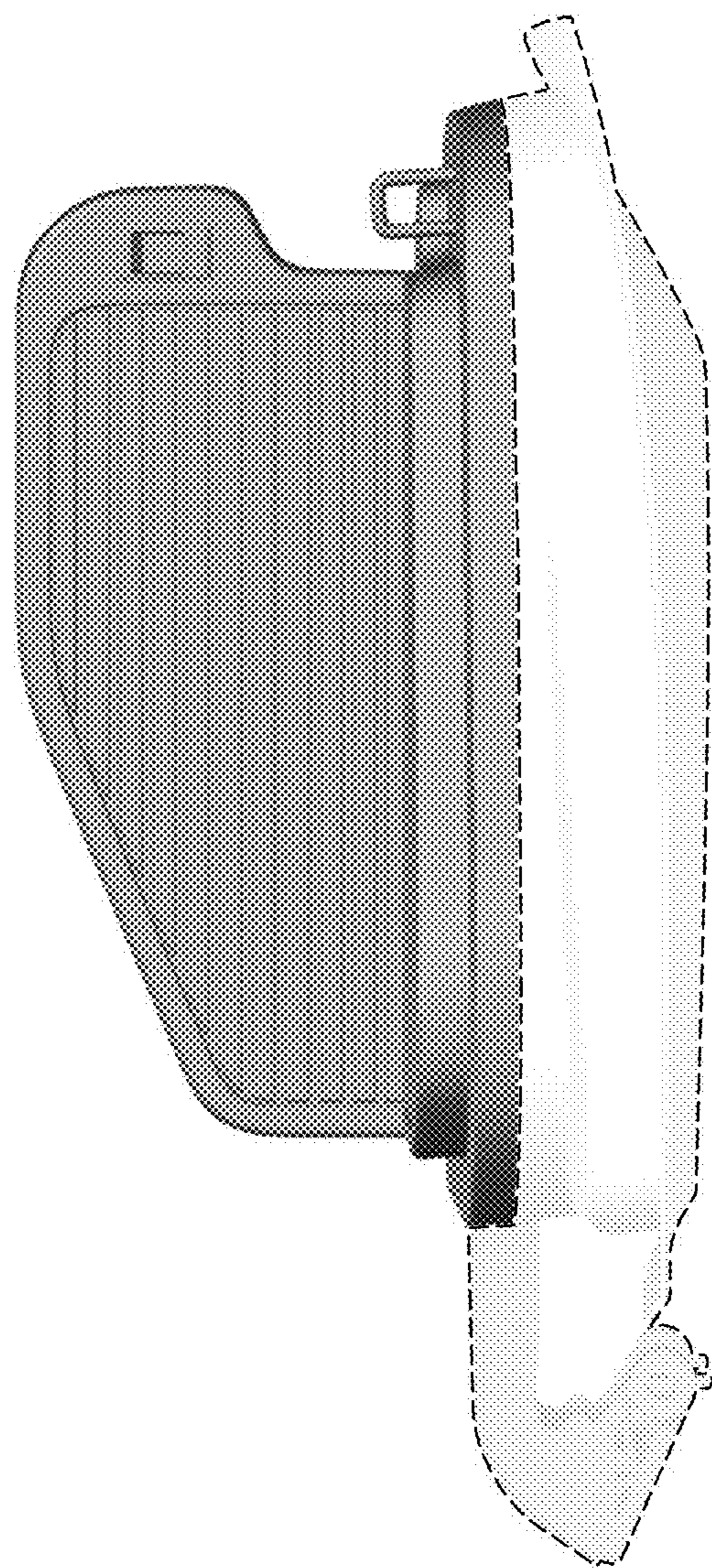


FIG. 3

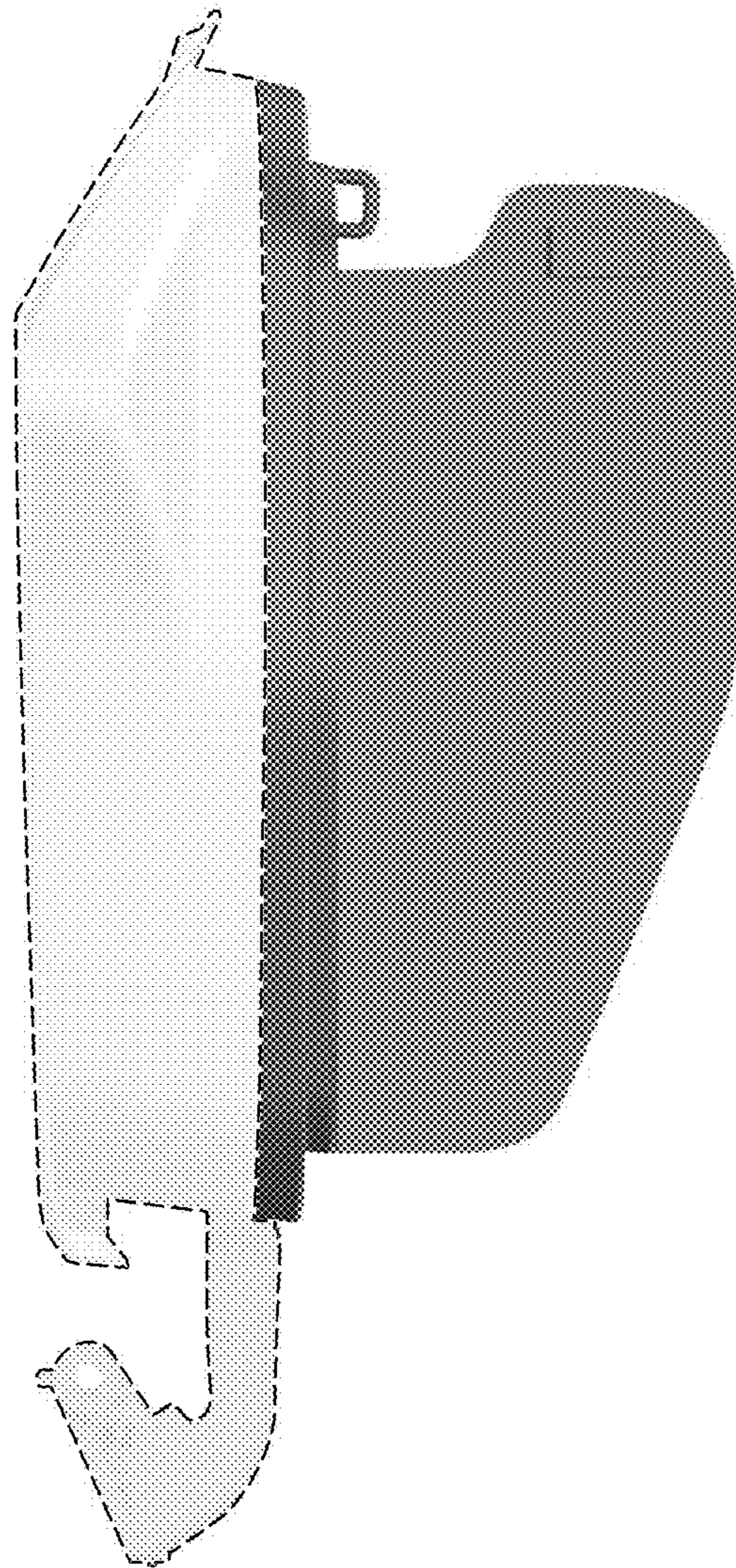


FIG. 4



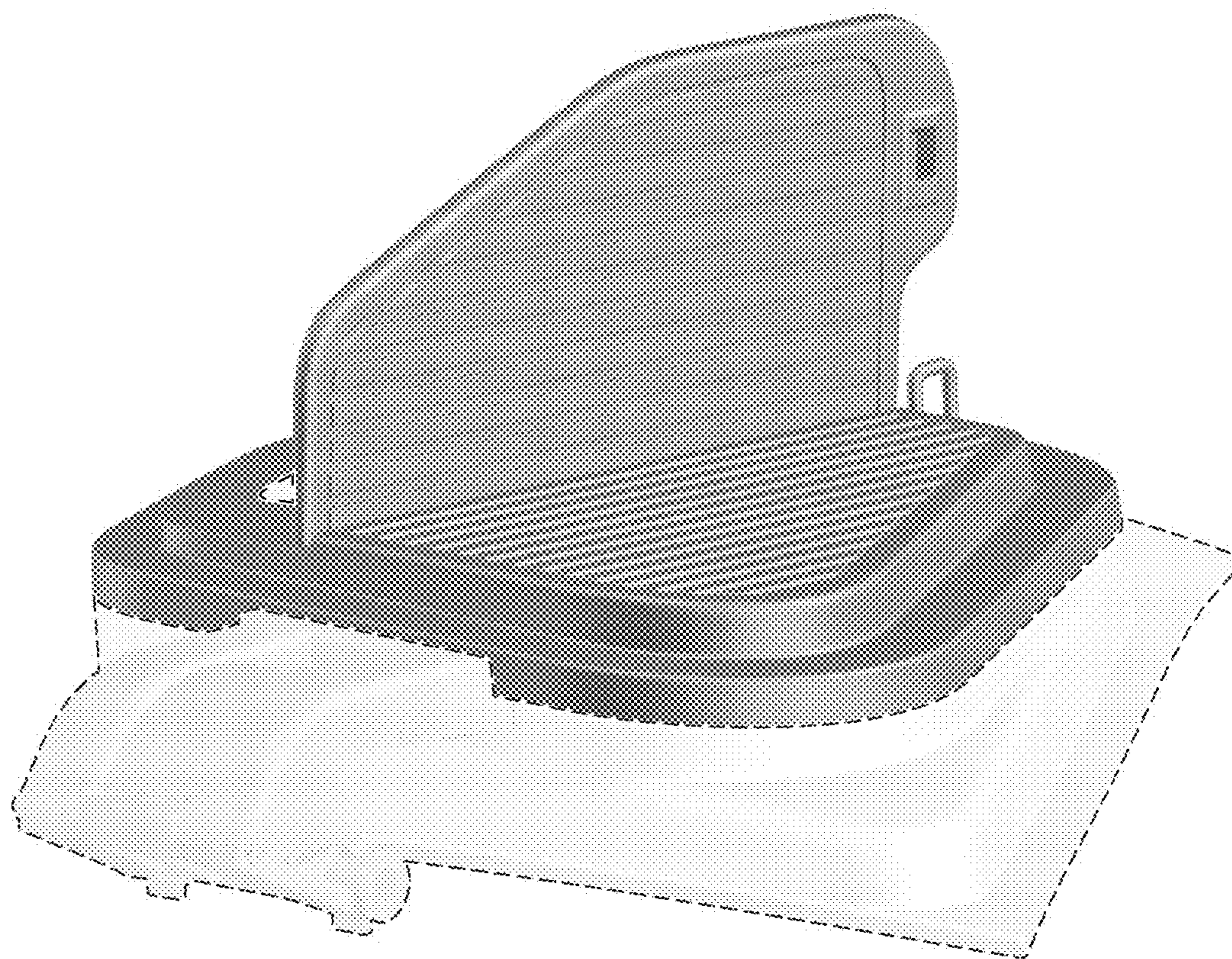


FIG. 5

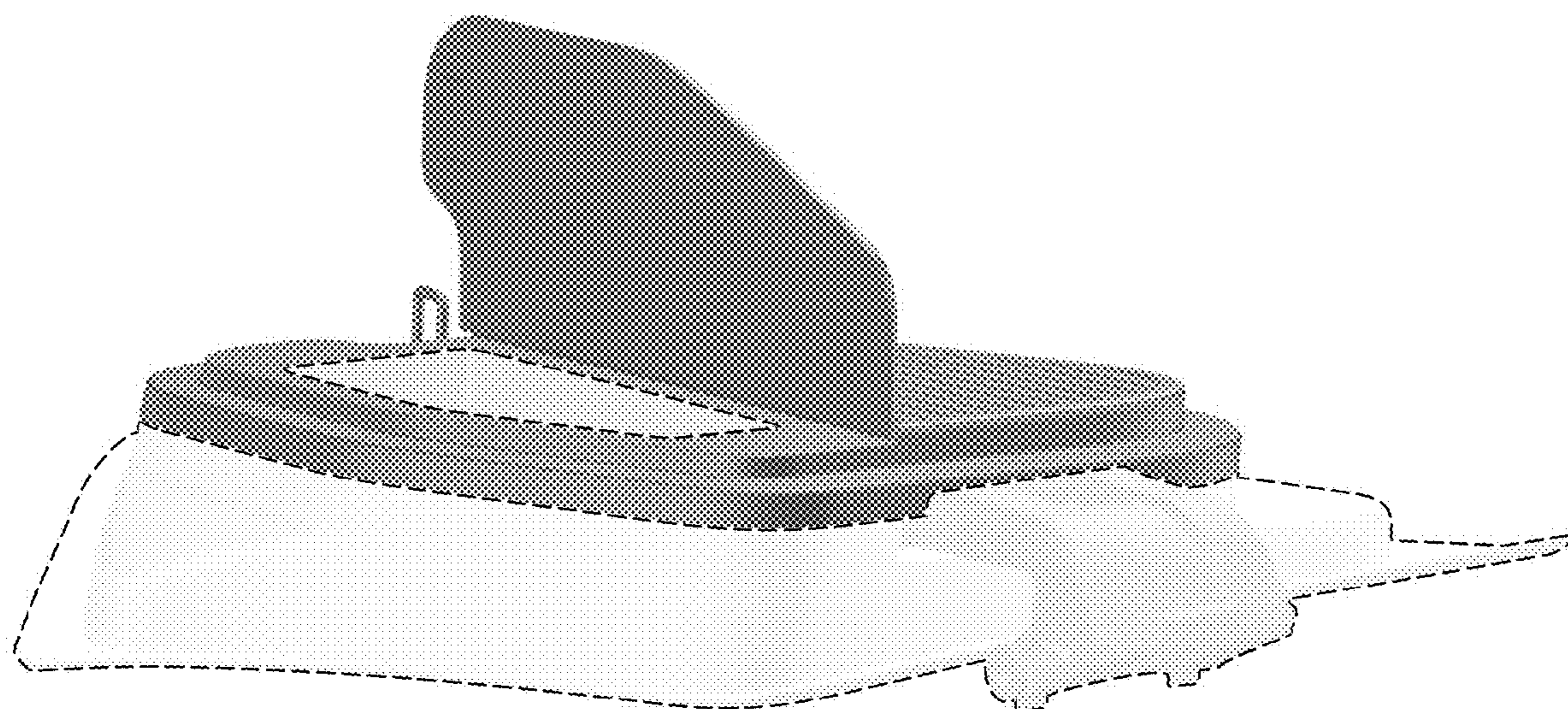


FIG. 6

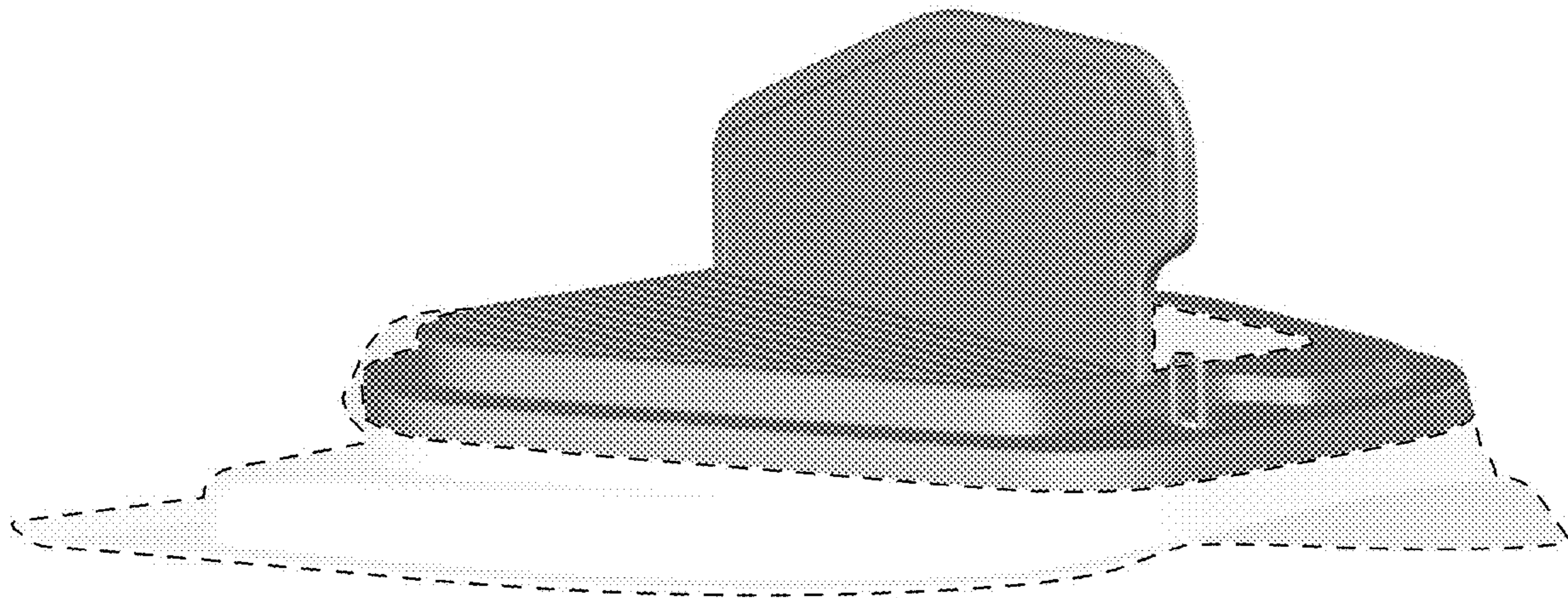


FIG. 7



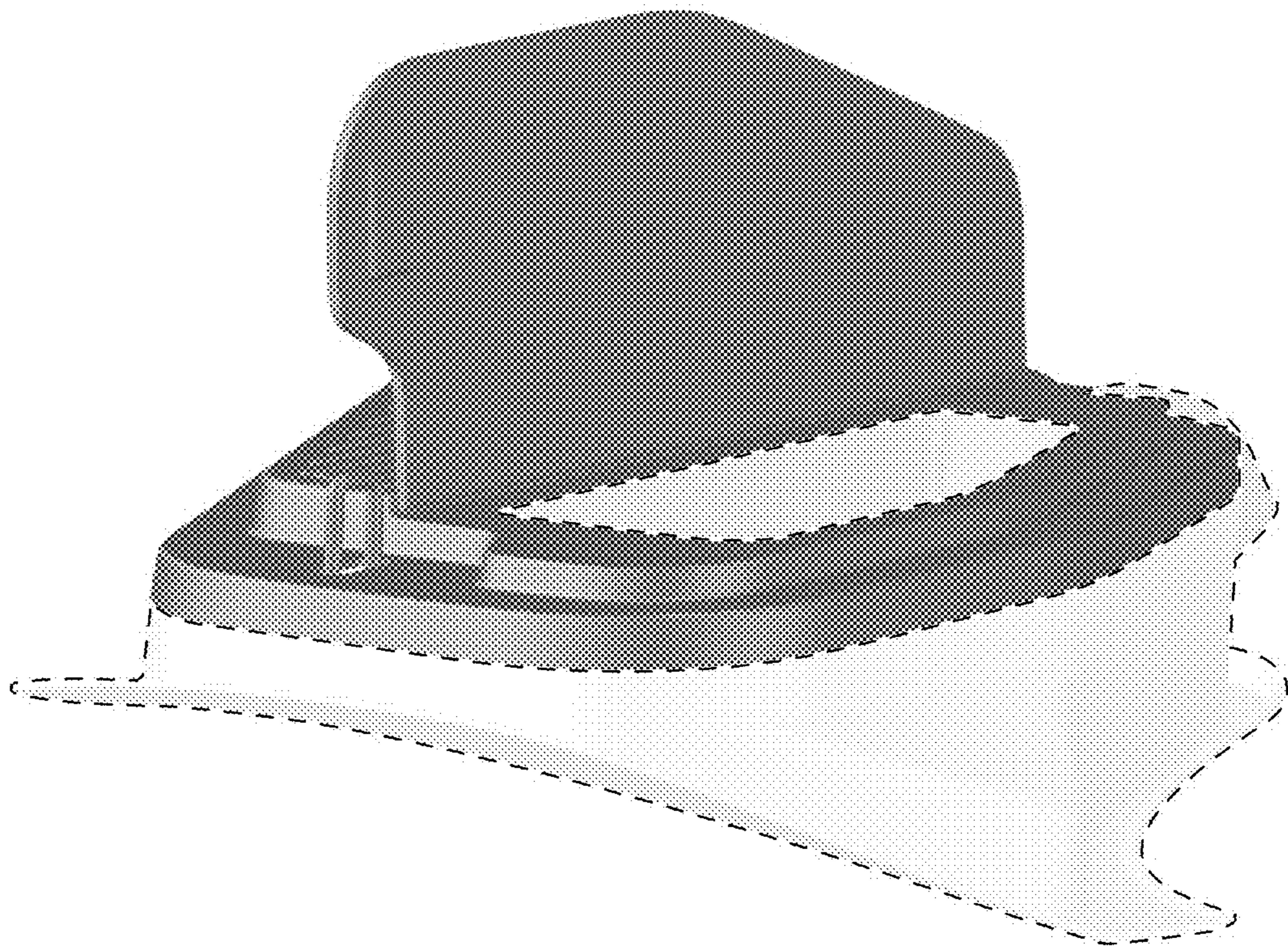


FIG. 8