



US00D971799S

(12) **United States Design Patent** (10) **Patent No.:** **US D971,799 S**
Kirzinger et al. (45) **Date of Patent:** **** Dec. 6, 2022**

(54) **VEHICLE BUMPER**

(71) Applicant: **VOLKSWAGEN AKTIENGESELLSCHAFT,**
Wolfsburg (DE)

(72) Inventors: **Albert-Johann Kirzinger,** Wolfsburg (DE); **Roland Faller,** Wolfsburg (DE); **Max Gutbier,** Wolfsburg (DE)

(73) Assignee: **VOLKSWAGEN AKTIENGESELLSCHAFT,**
Wolfsburg (DE)

(**) Term: **15 Years**

(21) Appl. No.: **29/786,052**

(22) Filed: **May 28, 2021**

(30) **Foreign Application Priority Data**

Dec. 1, 2020 (WO) WIPO99887

(51) **LOC (13) Cl.** **12-16**

(52) **U.S. Cl.**
USPC **D12/169**

(58) **Field of Classification Search**
USPC D12/169, 196, 86, 90-92, 163, 190, 98,
D12/164; 293/102, 113, 115, 117, 120,
293/193.11; 296/180.1, 180.2
CPC B60R 19/02; B60R 19/04; B62D 25/08
See application file for complete search history.

(56) **References Cited**

U.S. PATENT DOCUMENTS

D848,322 S * 5/2019 Mack D12/169
D848,323 S * 5/2019 Mack D12/169

D856,213 S * 8/2019 Kubo D12/169
D856,220 S * 8/2019 Koyama D12/169
D859,240 S * 9/2019 Sperling D12/169
D859,241 S * 9/2019 Asano D12/169
D870,614 S * 12/2019 Ea D12/169
D889,316 S * 7/2020 Kido D12/91
D918,795 S * 5/2021 Kato D12/169
D937,715 S * 12/2021 Asano D12/169

FOREIGN PATENT DOCUMENTS

WO DM203127 2/2019

* cited by examiner

Primary Examiner — Melody N Brown

(74) *Attorney, Agent, or Firm* — Lucas & Mercanti, LLP;
Klaus P. Stoffel

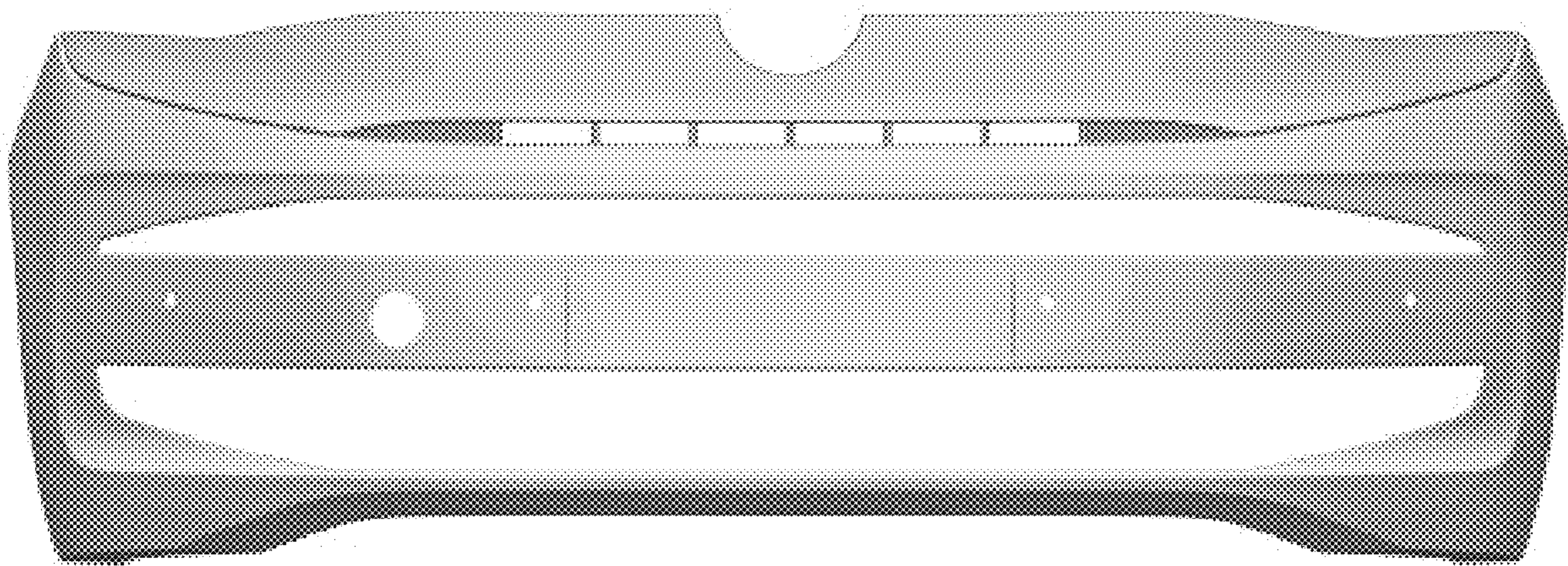
(57) **CLAIM**

The ornamental design for a vehicle bumper, as shown and described.

DESCRIPTION

FIG. 1 is a front and left side perspective view of a vehicle bumper showing our new design;
FIG. 2 is a rear and right side perspective view thereof;
FIG. 3 is a front view thereof;
FIG. 4 is a rear view thereof;
FIG. 5 is a left side view thereof;
FIG. 6 is a right side view thereof;
FIG. 7 is a bottom view thereof; and,
FIG. 8 is a top view thereof.

1 Claim, 4 Drawing Sheets



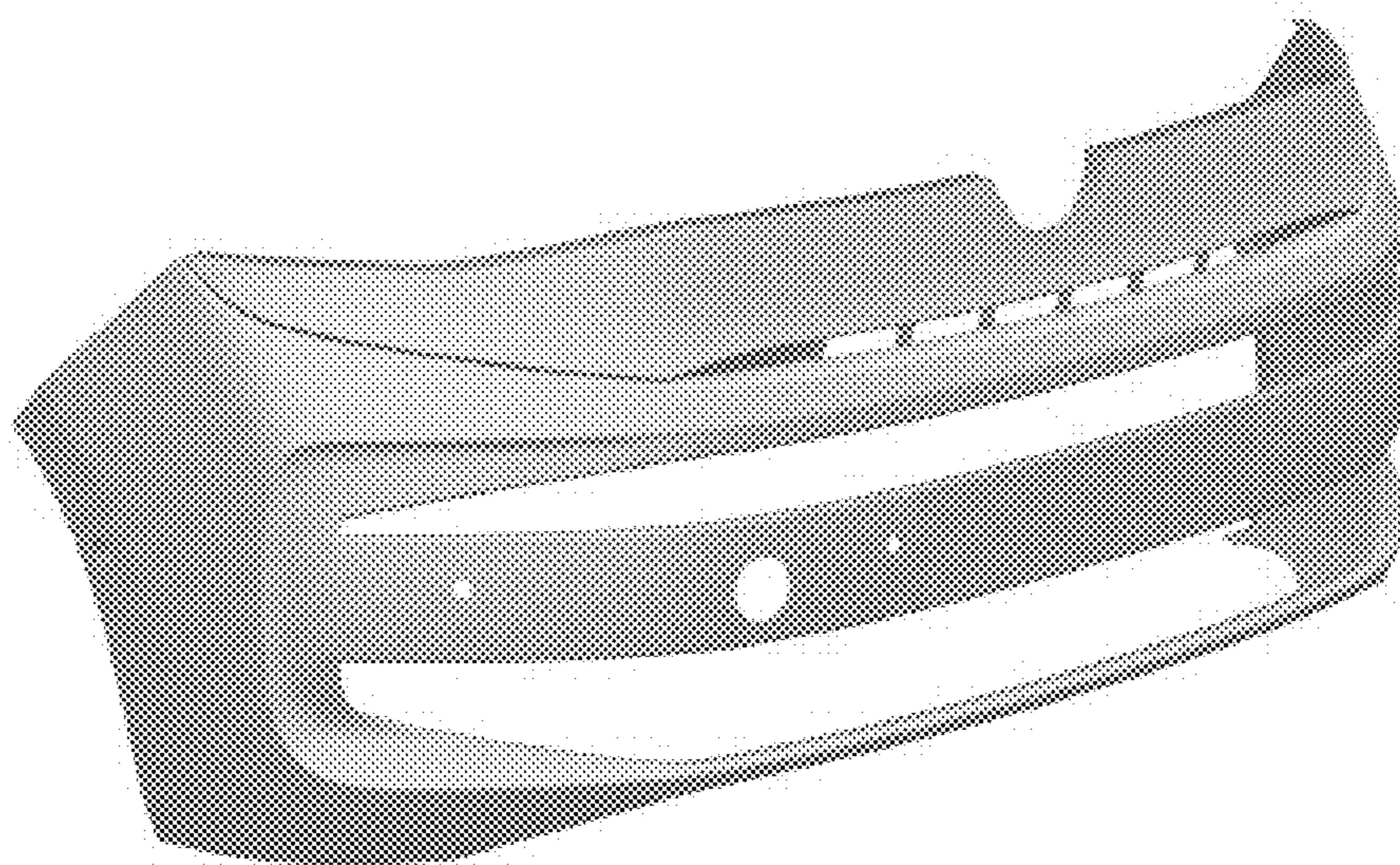


Fig. 1

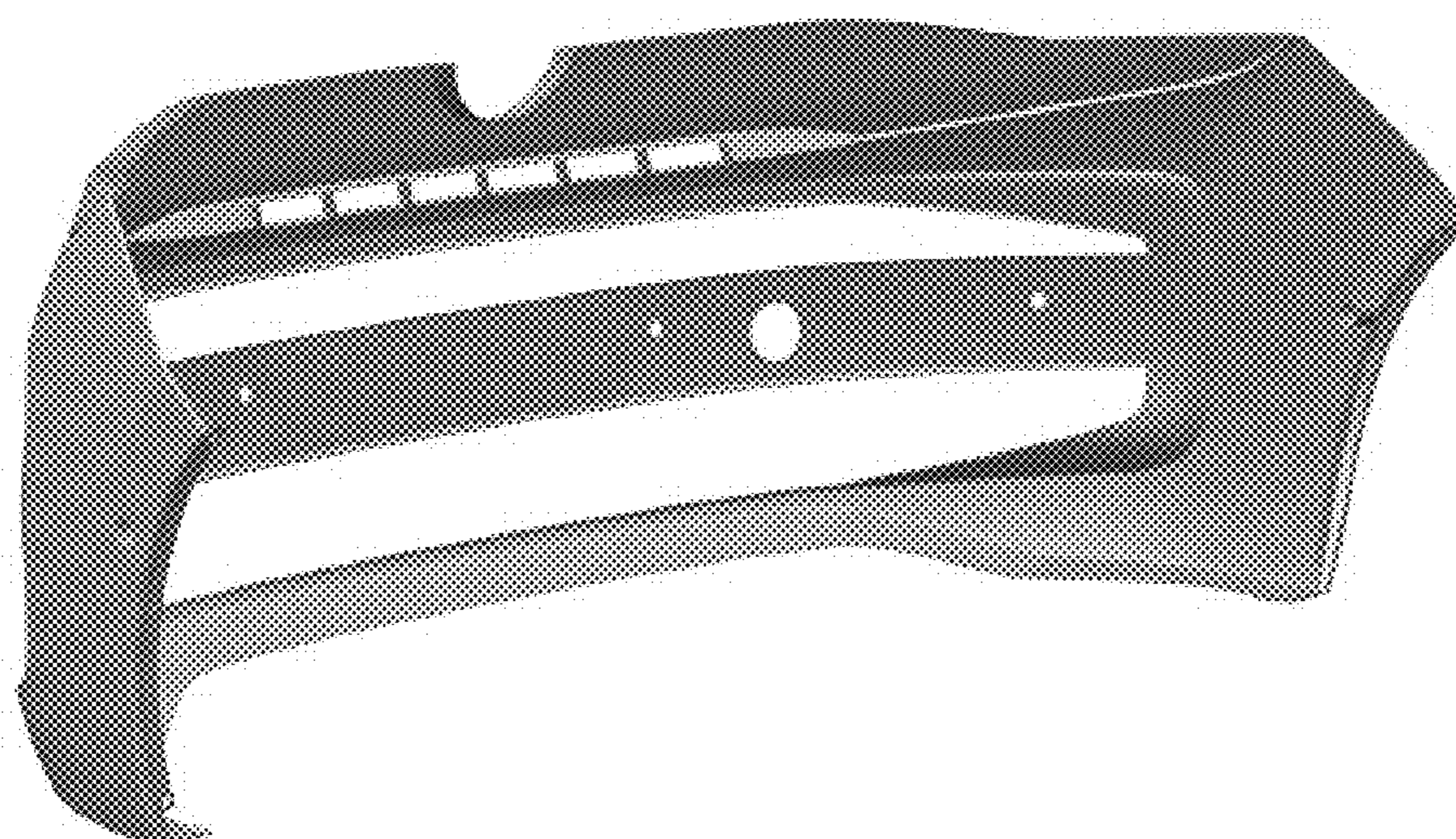


Fig. 2

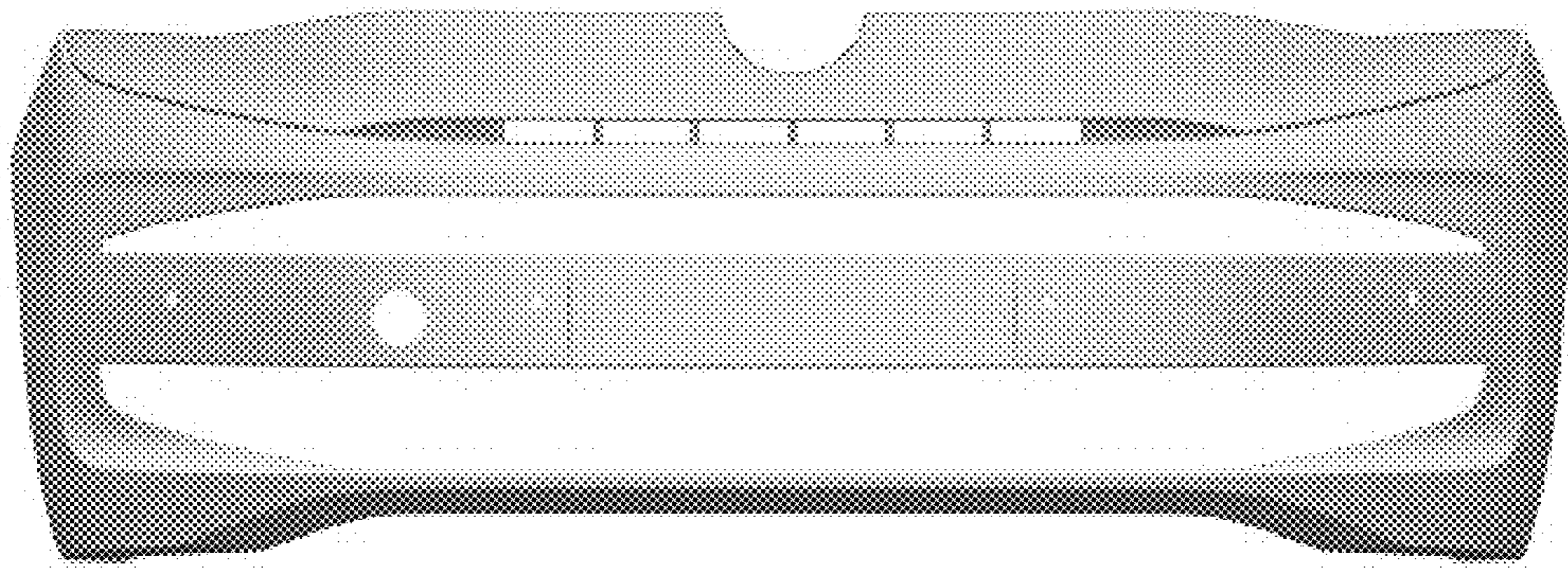


Fig. 3

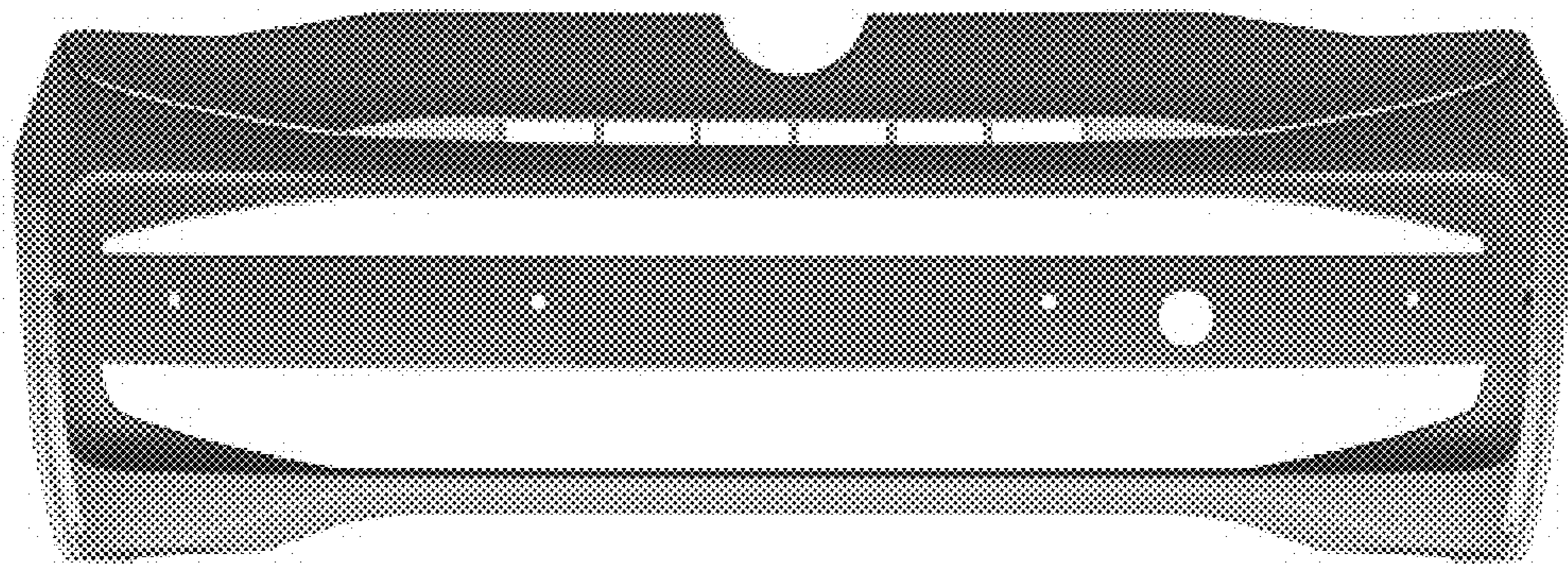


Fig. 4

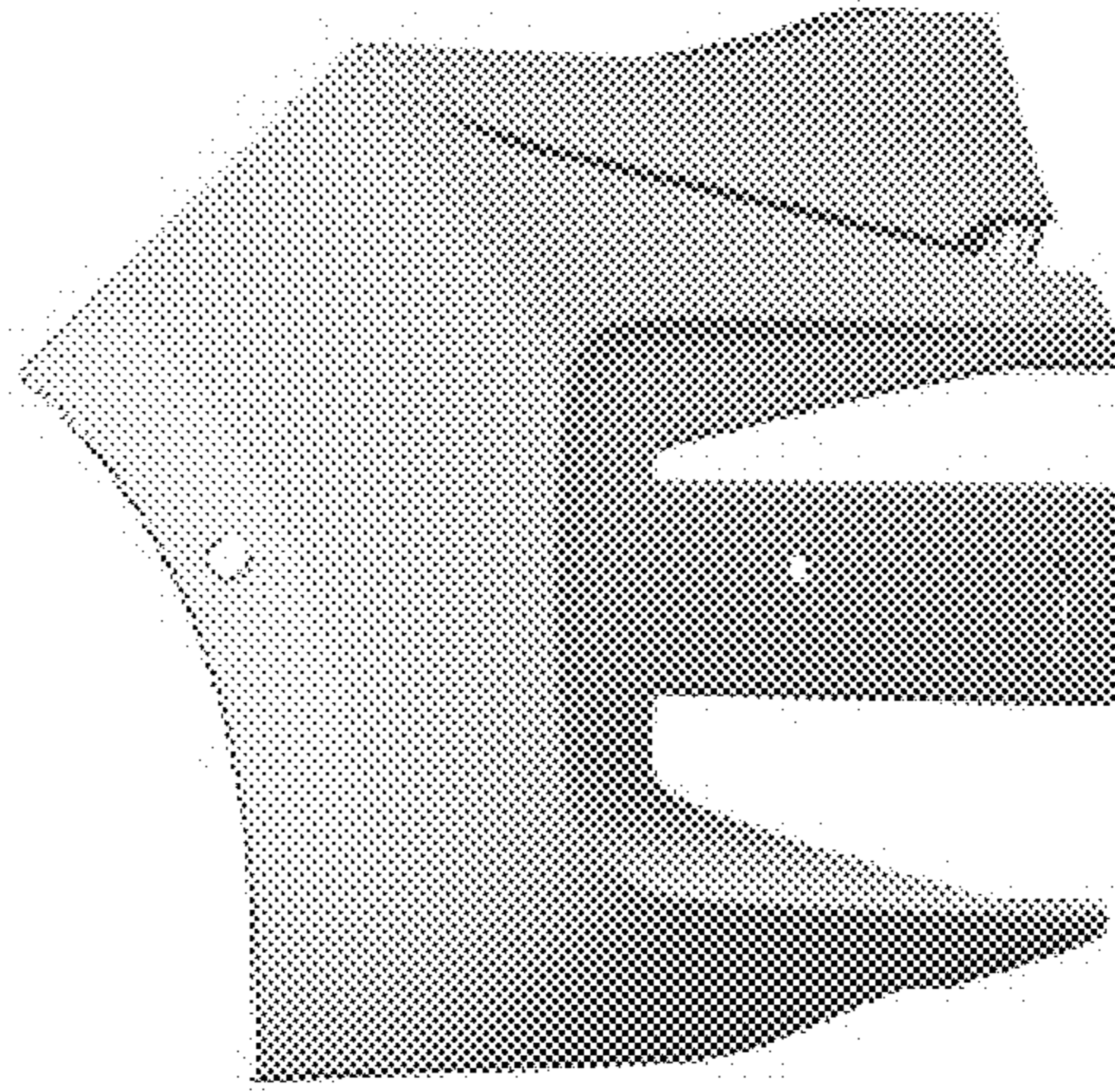


Fig. 5

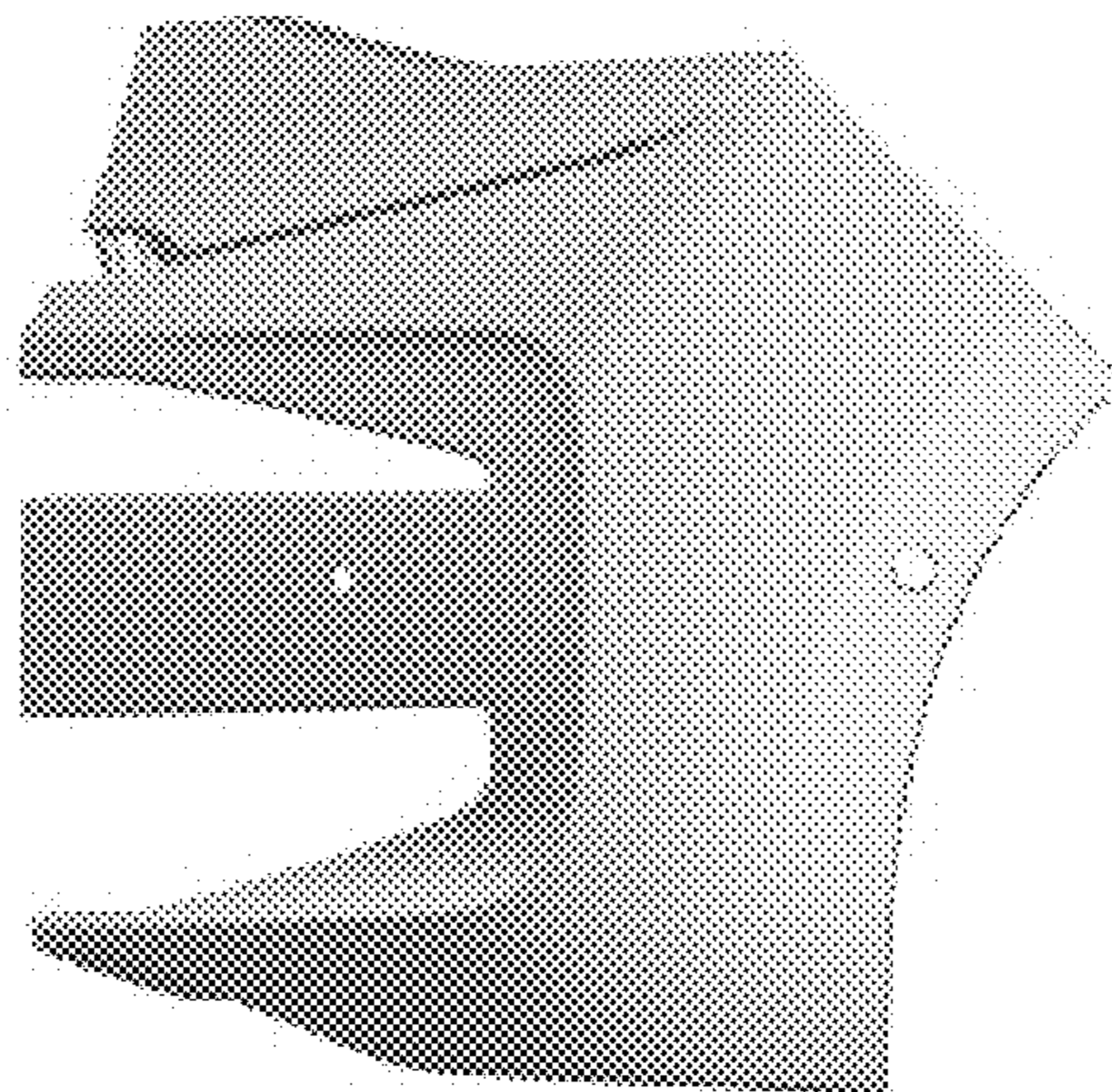


Fig. 6

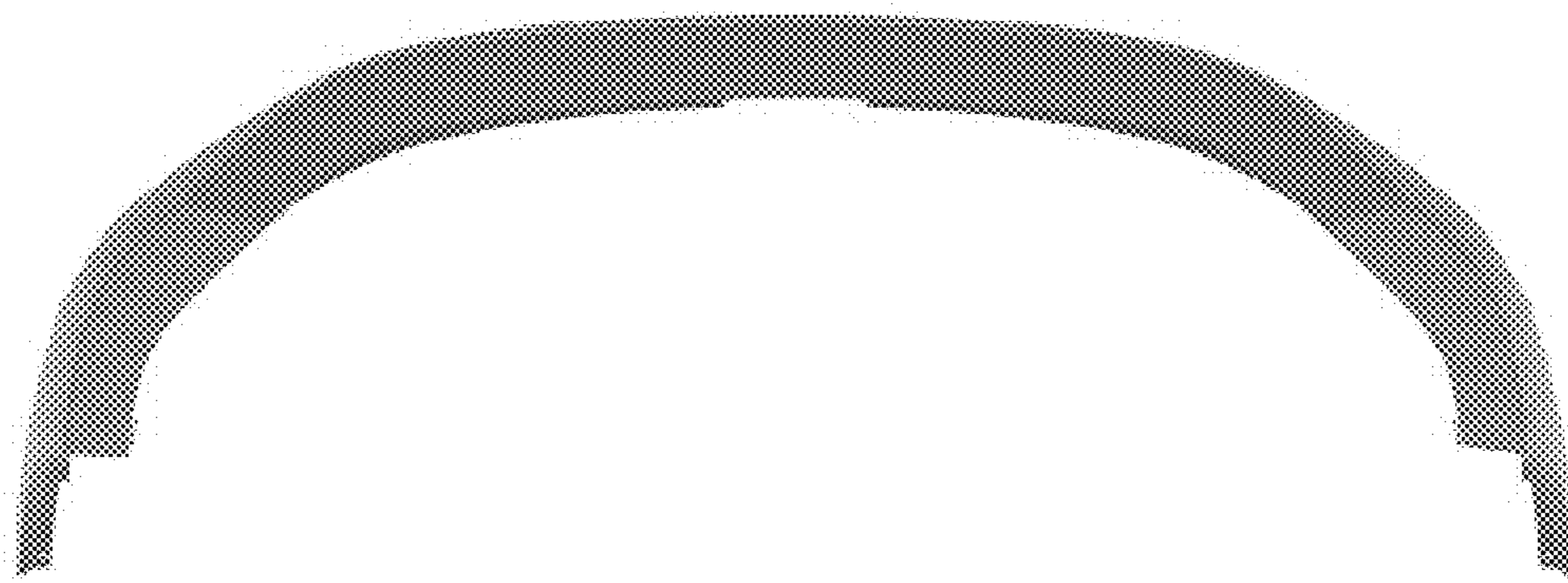


Fig. 7

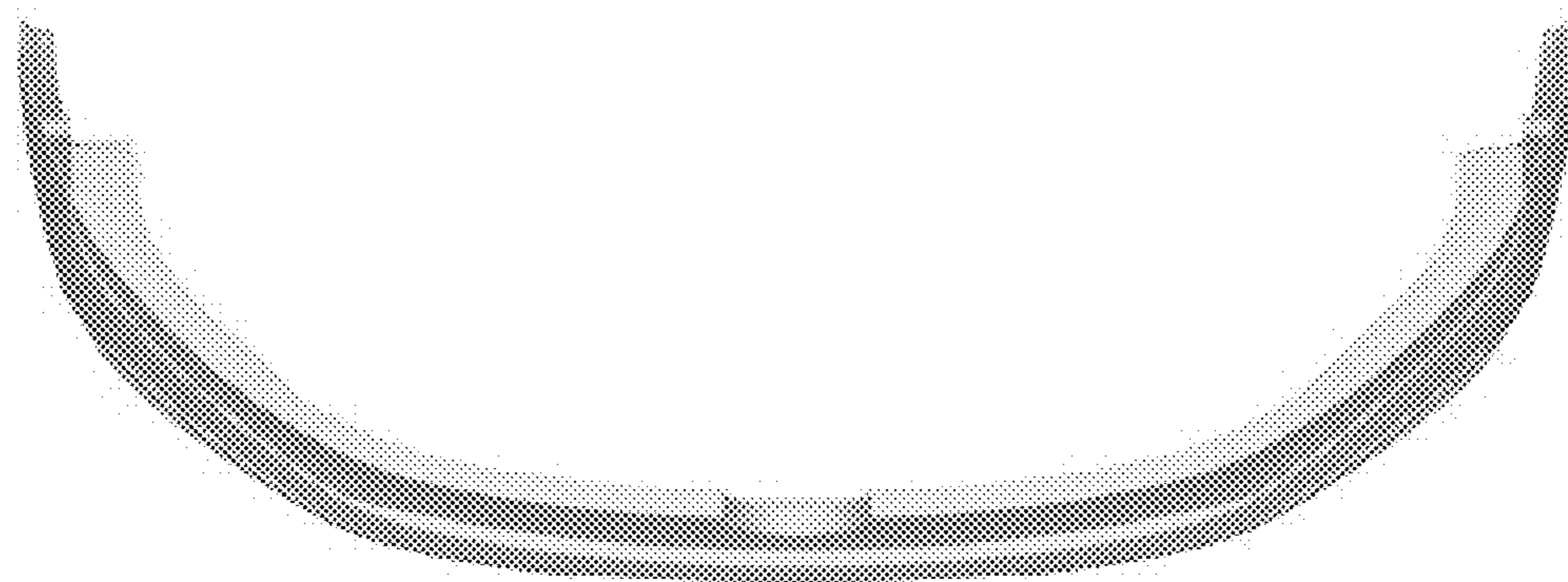


Fig. 8