



US00D971793S

(12) **United States Design Patent** (10) **Patent No.:** **US D971,793 S**  
**Dunn et al.** (45) **Date of Patent:** **\*\* Dec. 6, 2022**

(54) **TWO-WHEELED VEHICLE** D521,417 S \* 5/2006 Stahel ..... D12/114  
D541,195 S 4/2007 Bracy  
D567,715 S 4/2008 Brew  
(Continued)

(71) Applicant: **Indian Motorcycle International, LLC**, Medina, MN (US)

(72) Inventors: **Ian M. Dunn**, Chanhassen, MN (US);  
**Jeffrey M. O'Halloran**, Lindstrom, MN (US); **Neil P. Quade**, Buffalo, MN (US); **William H. Doornink**, Osceola, WI (US); **Michael M. Song**, Maple Grove, MN (US); **Kory J. Schuhmacher**, Center City, MN (US)

**FOREIGN PATENT DOCUMENTS**

CA 2532624 A1 \* 11/2006 ..... B62K 11/00  
CA 2890734 A1 \* 5/2014 ..... B62M 7/02  
(Continued)

(73) Assignee: **Indian Motorcycle Interantional, LLC**, Medina, MN (US)

Zig Wheels, Indian Chieftain Dark Horse—Road Test Review, posted Apr. 25, 2017, [online], [visited Jun. 21, 2021]. Internet, <URL: <https://www.zigwheels.com/reviews-advice/reviews/indian-chieftain-dark-horse-road-test-review/27856/>> (Year: 2017).\*

(\*\*) Term: **15 Years**

(Continued)

(21) Appl. No.: **29/684,633**

*Primary Examiner* — Samantha Wood

(22) Filed: **Mar. 22, 2019**

(74) *Attorney, Agent, or Firm* — Faegre Drinker Biddle & Reath LLP

(51) **LOC (13) Cl.** ..... **12-11**

(52) **U.S. Cl.**  
USPC ..... **D12/114**

(57) **CLAIM**

(58) **Field of Classification Search**  
USPC ..... D12/107, 110, 111, 112, 114, 117, 126, D12/122, 119

The ornamental design for a two-wheeled vehicle, as shown and described.

CPC ..... B62K 11/00; B62K 11/02; B62K 11/04; B62K 11/06; B62K 11/08; B62K 11/10; B62K 11/12; B62K 11/14

**DESCRIPTION**

See application file for complete search history.

FIG. 1 is a front, left perspective view of a two-wheeled vehicle, showing our new design; FIG. 2 is a rear, right perspective view thereof; FIG. 3 is a rear view thereof; FIG. 4 is a front view thereof; FIG. 5 is a left side view thereof; FIG. 6 is a right side view thereof; and, FIG. 7 is a top view thereof.

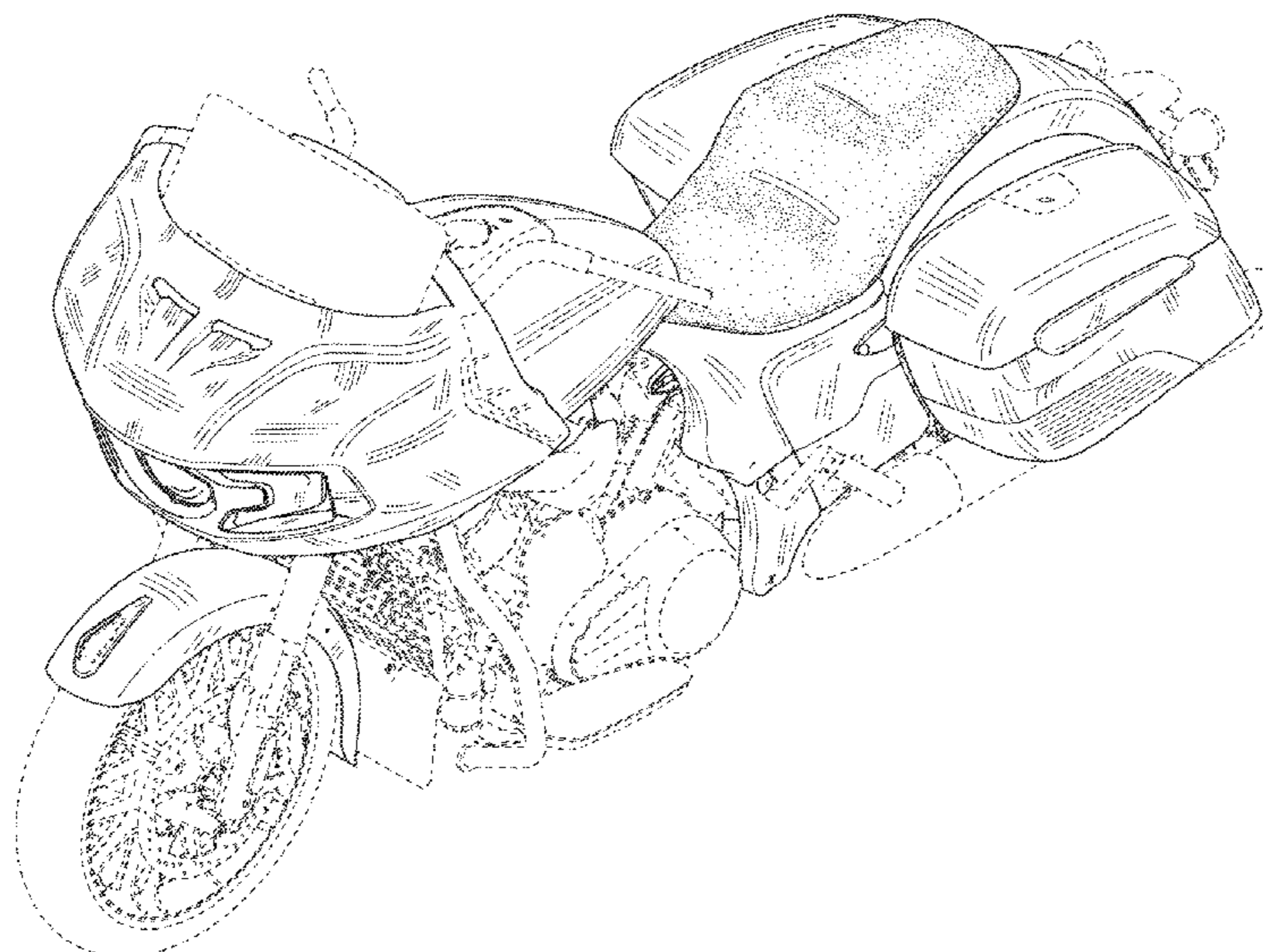
The broken lines are included for the purpose of illustrating portions of the article and form no part of the claimed design.

(56) **References Cited**

**U.S. PATENT DOCUMENTS**

4,709,774 A 12/1987 Saito  
D389,794 S \* 1/1998 Davidson ..... D12/114  
D426,174 S \* 6/2000 Sofue ..... D12/110  
D444,419 S \* 7/2001 Kamata ..... D12/110  
D465,493 S \* 11/2002 Hervig ..... D14/403  
D509,638 S \* 9/2005 Moritz ..... D99/5  
D512,951 S \* 12/2005 Alsop ..... D12/218  
D521,163 S 5/2006 Song

**1 Claim, 7 Drawing Sheets**



(56)

References Cited

FOREIGN PATENT DOCUMENTS

U.S. PATENT DOCUMENTS

D600,373 S 9/2009 Brew  
 D600,374 S 9/2009 Brew  
 D618,596 S 6/2010 Song  
 D624,853 S 10/2010 Song  
 7,883,136 B2 2/2011 Tomolillo  
 D656,068 S 3/2012 Song  
 D656,867 S \* 4/2012 Uemoto ..... D12/110  
 D683,270 S 5/2013 Song  
 D683,271 S 5/2013 Song  
 D716,702 S 11/2014 Song  
 D722,538 S 2/2015 Song  
 D732,436 S 6/2015 Christoph  
 D737,192 S \* 8/2015 Yaffe ..... D12/218  
 D744,906 S 12/2015 Song  
 D789,275 S \* 6/2017 Richie ..... D12/407  
 D802,486 S \* 11/2017 Mugikura ..... D12/110  
 D808,867 S \* 1/2018 Chui ..... D12/114  
 D906,182 S 12/2020 Song  
 D911,879 S 3/2021 Christoph  
 2009/0206628 A1 8/2009 Misaki  
 2014/0131128 A1 5/2014 Schuhmacher

JP S5757178 4/1982  
 JP S6357384 3/1988  
 JP H08230740 9/1996  
 JP 3125318 1/2001

OTHER PUBLICATIONS

Zig Wheels, Three New Indian Bikes Confirmed in Leaked Document, posted May 4, 2019, [online], [visited Jun. 21, 2021]. Internet, <URL: <https://www.zigwheels.com/news-features/news/new-1770cc-indian-motorcycles-bagger-to-be-called-raptor-leaked-doc-reveals-more-details/33735/>> (Year: 2019).\*

International Preliminary Report on Patentability issued by the International Preliminary Examining Authority, dated Jun. 10, 2021, for International Patent Application No. PCT/US2020/023159; 31 pages.

International Search Report and Written Opinion issued by the International Searching Authority, dated Sep. 23, 2020, for International Patent Application No. PCT/US2020/023159; 21 pages.

\* cited by examiner



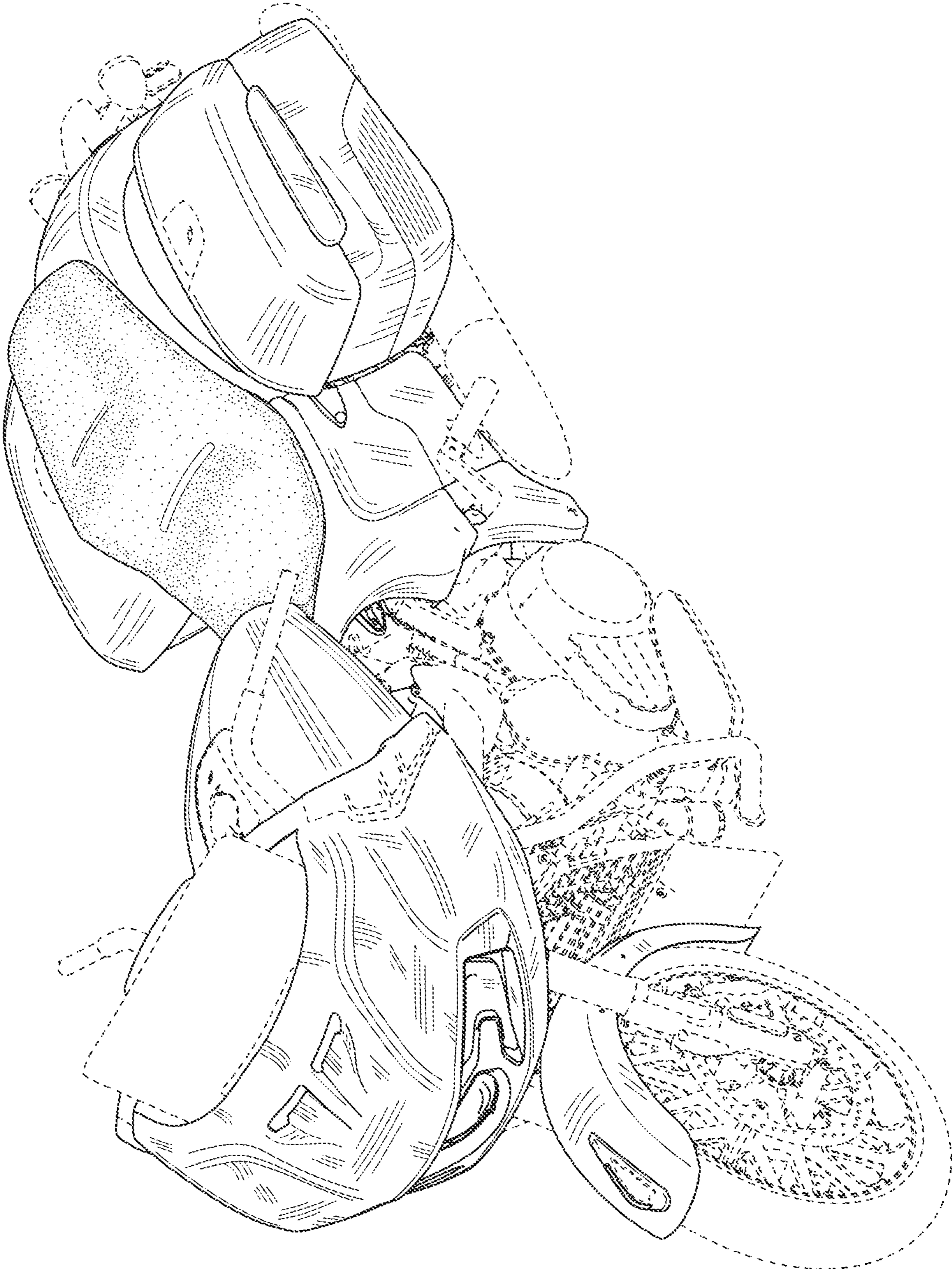


FIG. 1

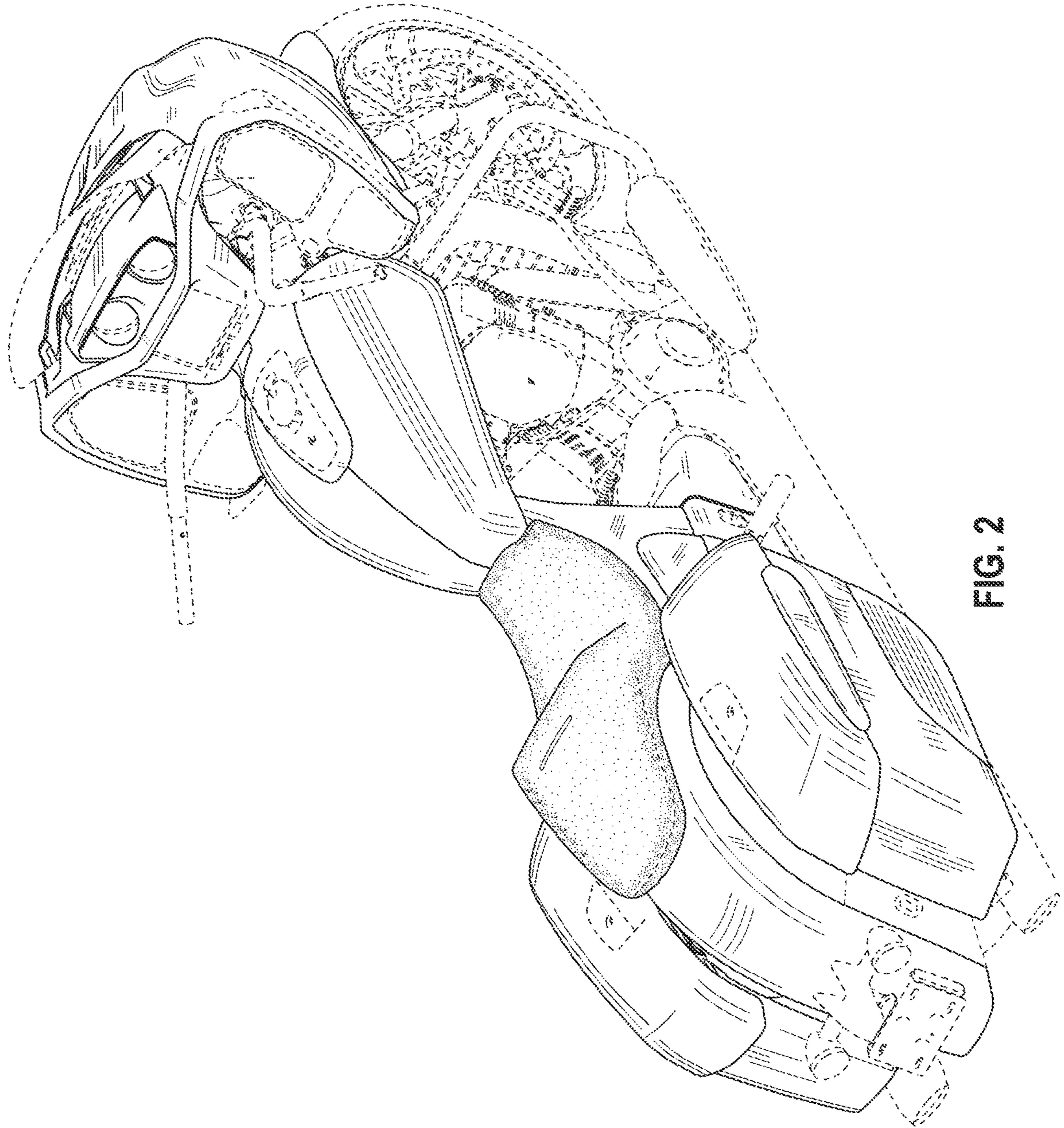


FIG. 2



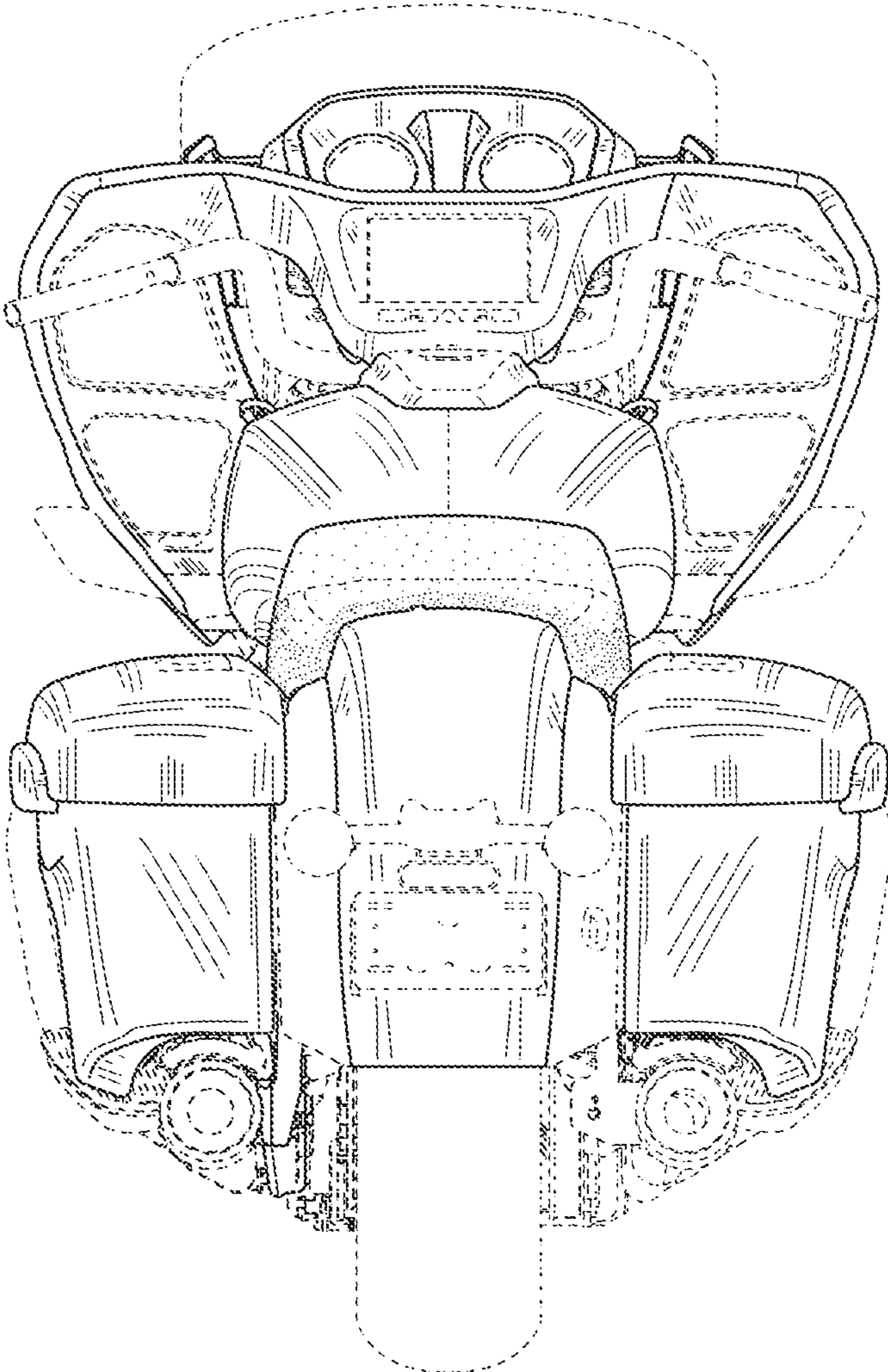


FIG. 3

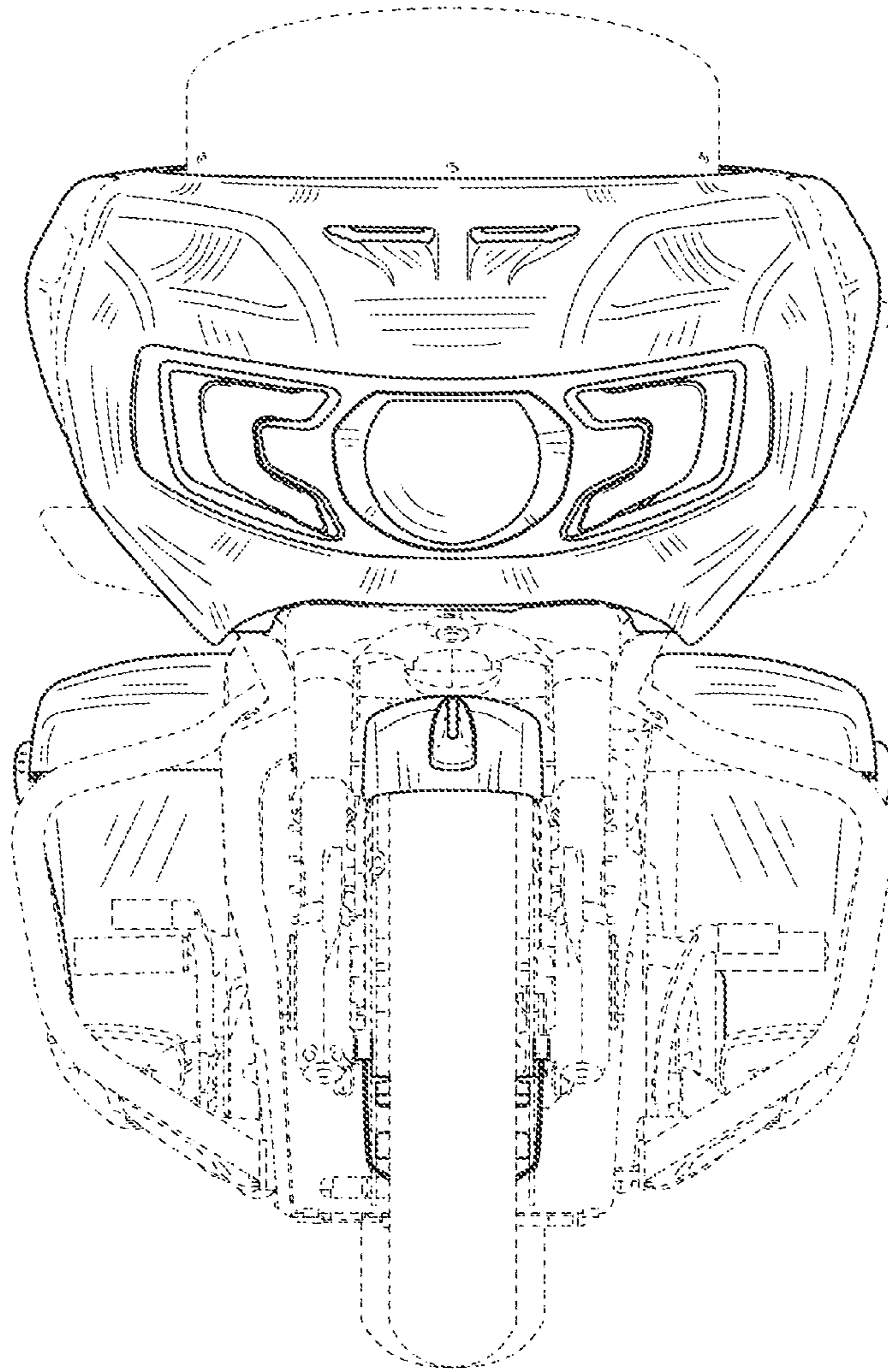


FIG. 4

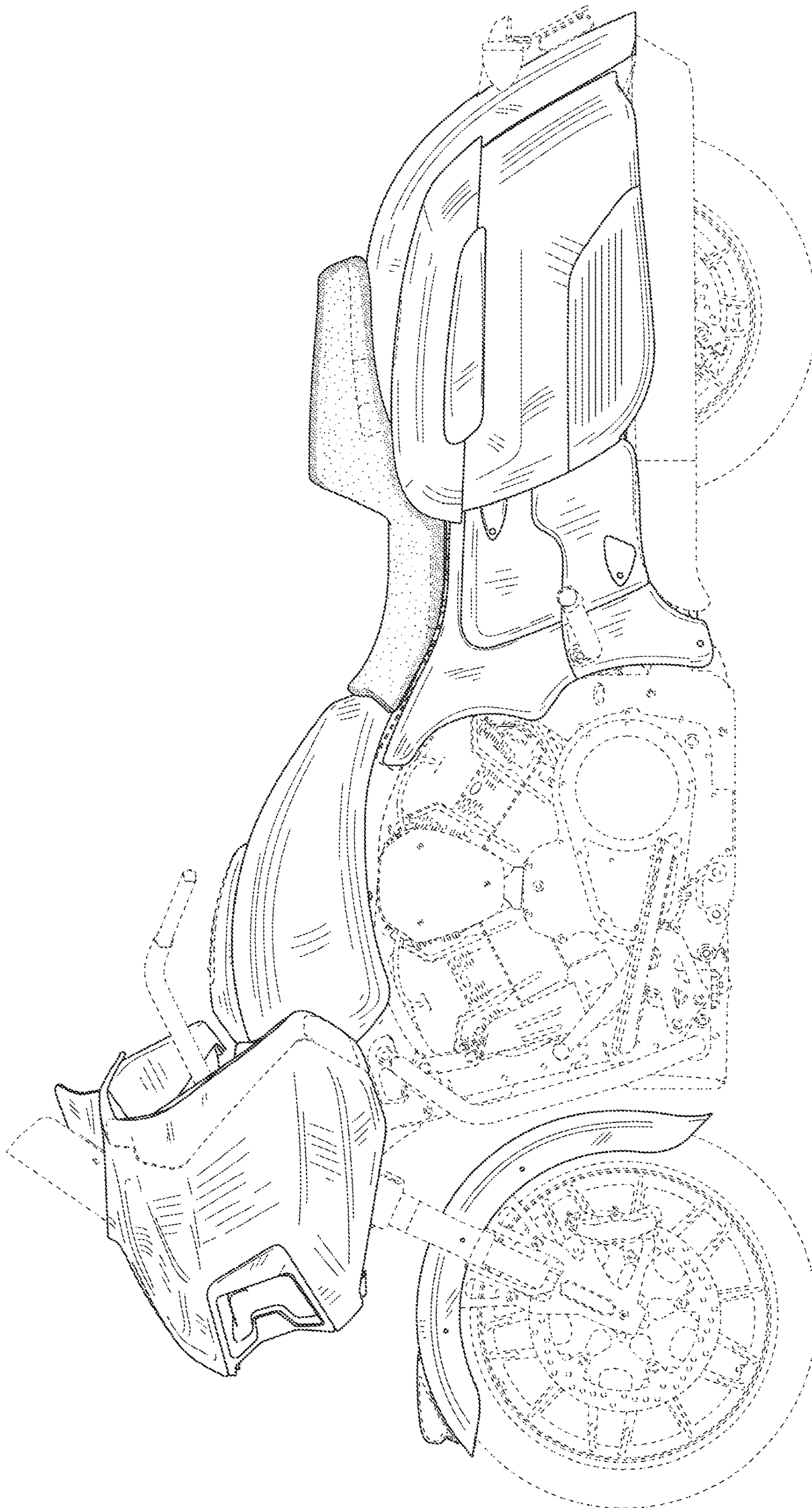


FIG. 5



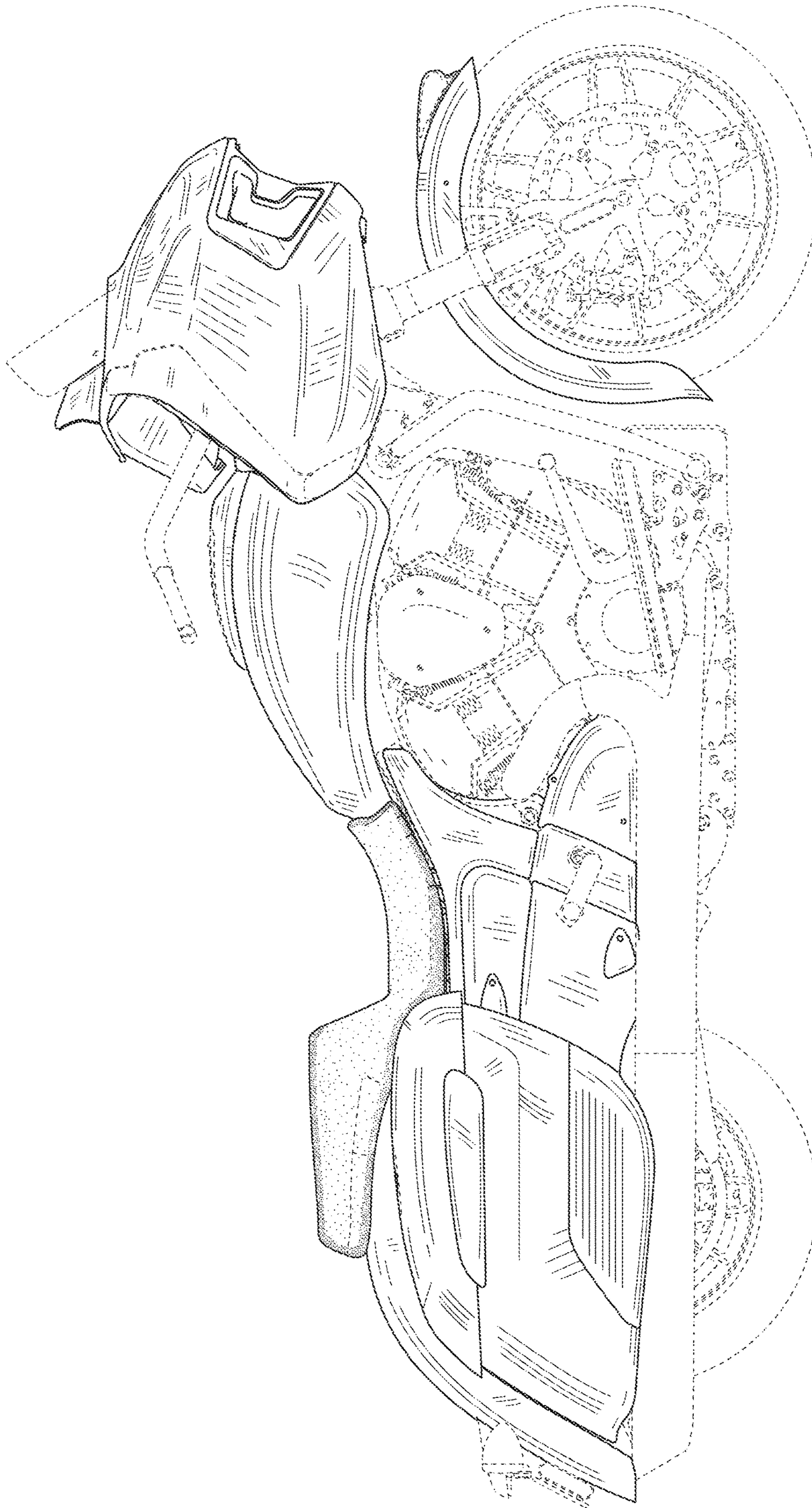


FIG. 6



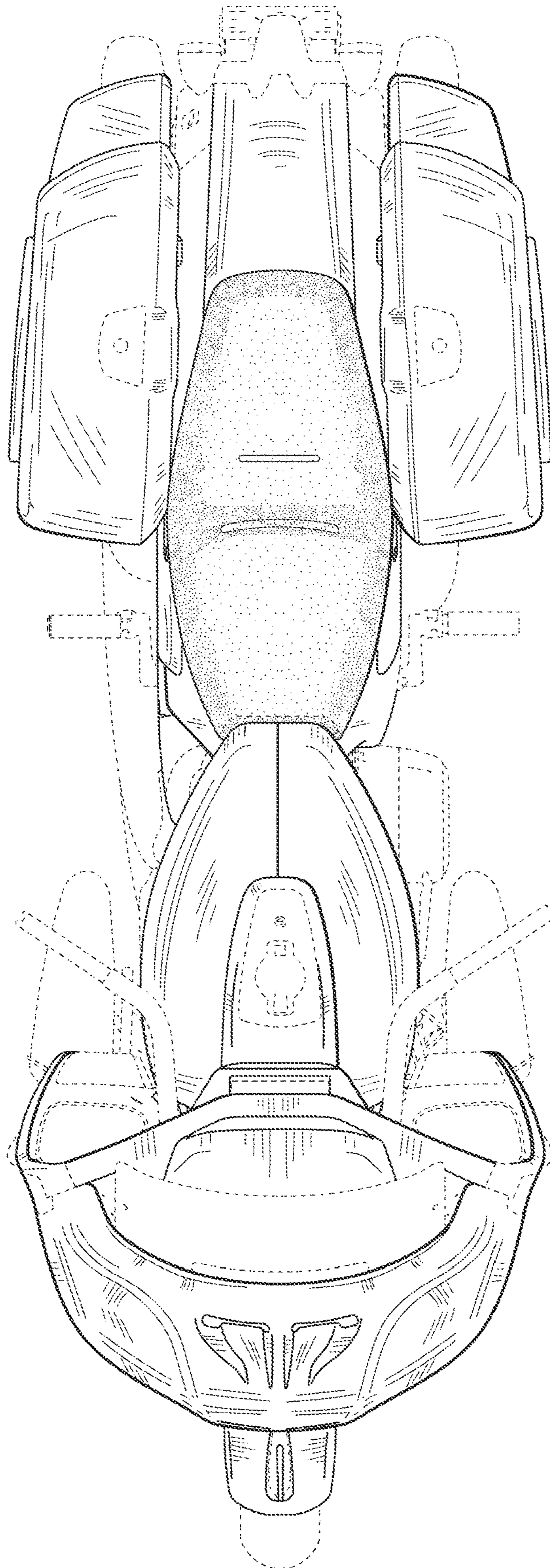


FIG. 7