



US00D971792S

(12) **United States Design Patent** (10) **Patent No.:** **US D971,792 S**
Okonsky et al. (45) **Date of Patent:** **** Dec. 6, 2022**

(54) **ELECTRIC BIKE**
(71) Applicant: **MONDAY MOTORBIKES**, Torrance, CA (US)
(72) Inventors: **Christian Okonsky**, Austin, TX (US); **Darren McKeage**, Calgary (CA)
(73) Assignee: **Monday Motorbikes**, Signal Hill, CA (US)
(**) Term: **15 Years**
(21) Appl. No.: **29/722,521**

D920,848 S * 6/2021 Kuehne D12/110
D920,854 S * 6/2021 Chambers D12/118
D921,539 S * 6/2021 Chambers D12/117
D921,541 S * 6/2021 Chambers D12/118

OTHER PUBLICATIONS

“SUPER73-Z1” SUPER73., posted date Feb. 3, 2019 [online], [retrieved on Jun. 16, 2021]. Retrieved from the Internet <<https://super73.com/collections/all-bikes/products/super73-z1-1>>(Year: 2019).*
“Super73-Z1 Jett Black Electric Motorbike” SUPER73., posted date Oct. 21, 2019 [online], [retrieved on Jun. 16, 2021]. Retrieved from the Internet <<https://www.amazon.com/dp/B07ZDL64Z1>>(Year: 2019).*

(Continued)

(22) Filed: **Jan. 30, 2020**
(51) **LOC (13) Cl.** **12-11**
(52) **U.S. Cl.**
USPC **D12/111**
(58) **Field of Classification Search**
USPC D12/110, 111, 117; D21/432, 538
CPC B62K 11/00; B62K 11/02; B62K 11/04;
B62K 11/10; B62K 17/00; B62K 19/00;
B62K 2202/00

Primary Examiner — Darlington Ly
Assistant Examiner — Nasim Abdulaziz Ali
(74) *Attorney, Agent, or Firm* — Kowert, Hood, Munyon, Rankin & Goetzel, P.C.; Gareth M. Sampson

See application file for complete search history.

(57) **CLAIM**
The ornamental design for an electric bike, as shown and described.

DESCRIPTION

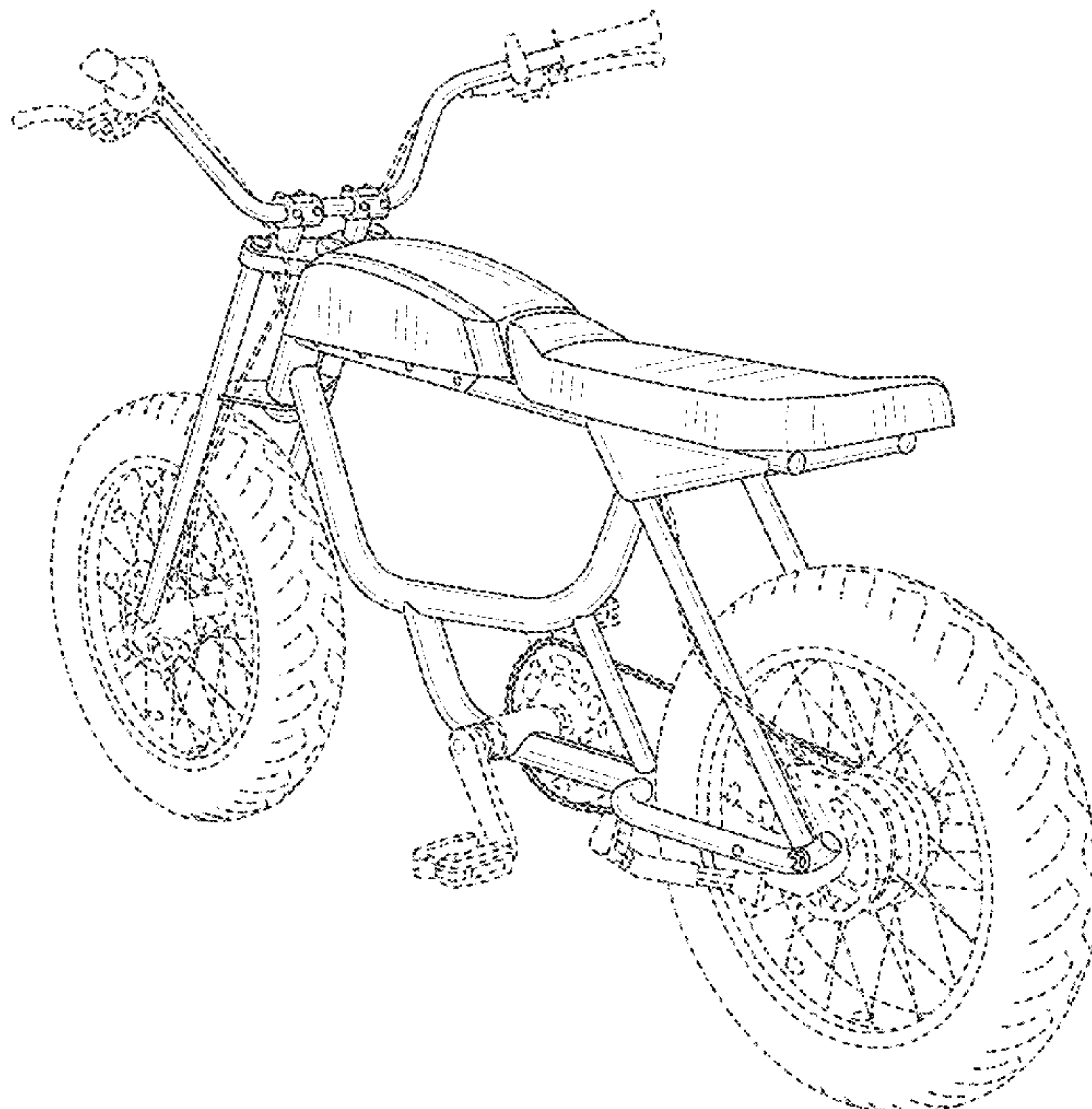
(56) **References Cited**

U.S. PATENT DOCUMENTS

D294,338 S * 2/1988 Yamada D12/110
D645,791 S * 9/2011 Lee D12/110
D653,590 S * 2/2012 Patterson D12/110
D689,798 S * 9/2013 Patterson D12/111
D803,103 S * 11/2017 Clyde D12/110
D824,290 S * 7/2018 Sukkar D12/110
D836,038 S * 12/2018 Huang D12/111
D864,795 S * 10/2019 Waters D12/110
D910,496 S * 2/2021 Zhu D12/111
D918,095 S * 5/2021 Chambers D12/118

FIG. 1 is a right side elevation view of an electric bike embodying our new design;
FIG. 2 is a left side elevation view thereof;
FIG. 3 is a front elevation view thereof;
FIG. 4 is a rear elevation view thereof;
FIG. 5 is a top plan view thereof;
FIG. 6 is a rear and left side perspective view thereof; and,
FIG. 7 is a front and right side perspective view thereof.
The broken line in the drawings illustrate portions of the electric bike that form no part of the claimed design.

1 Claim, 6 Drawing Sheets



(56)

References Cited

OTHER PUBLICATIONS

“Super73 Z1 e-bike review” electrek.co., posted date Apr. 6, 2020 [online], [retrieved on Jun. 16, 2021]. Retrieved from the Internet <<https://electrek.co/2020/04/06/super73-z1-e-bike-review-cheapest-e-bike-moped-minibike/>> (Year: 2020).*

Co-Pending Design U.S. Appl. No. 29/684,597 entitled, “Electric Motorbike”; Jauvtis et al., filed Mar. 22, 2019.

Co-Pending Design U.S. Appl. No. 29/717,824 entitled, “Electric Motorbike”; Hsu et al., filed Dec. 19, 2019.

* cited by examiner

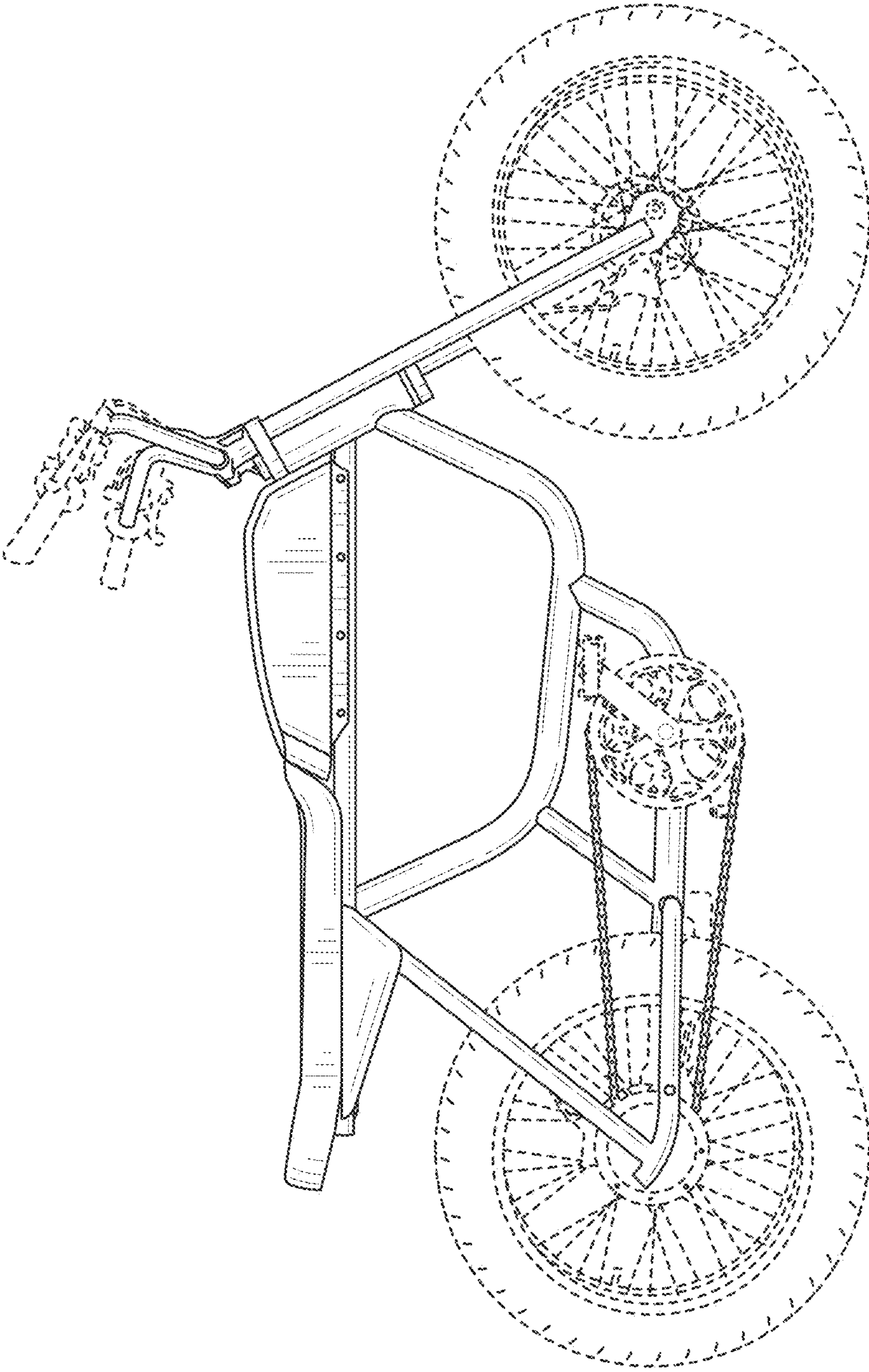


FIG. 1

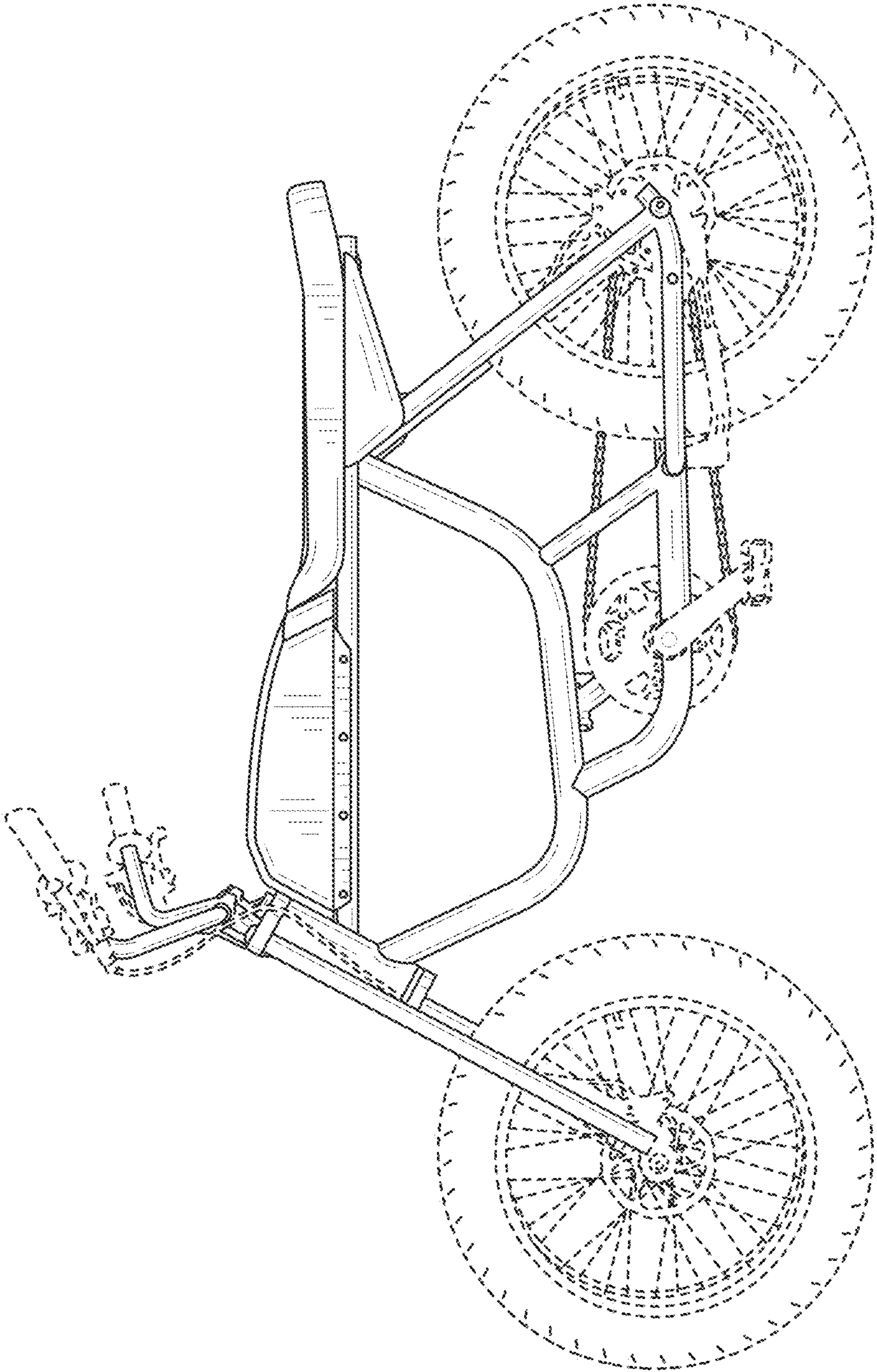


FIG. 2

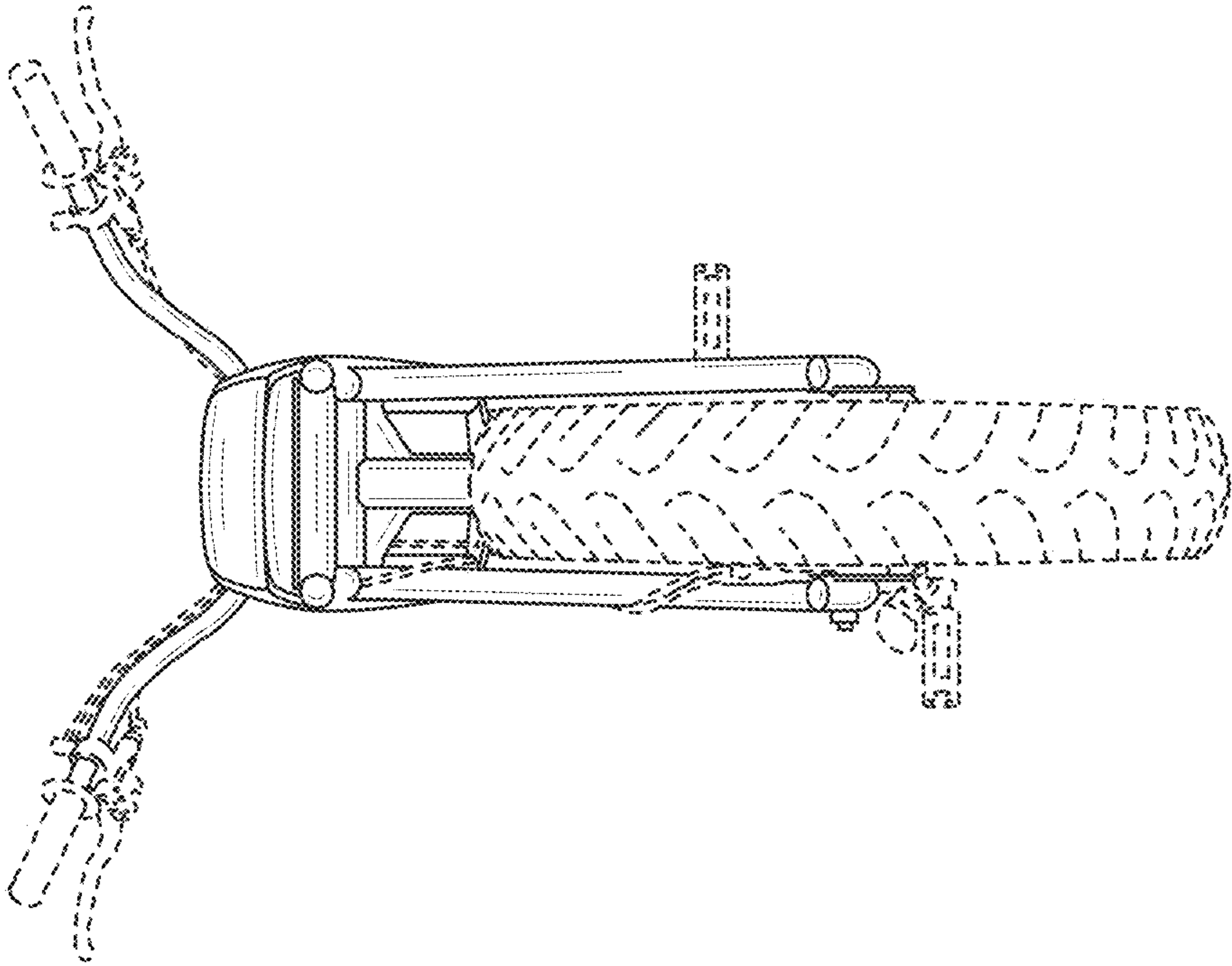


FIG. 4

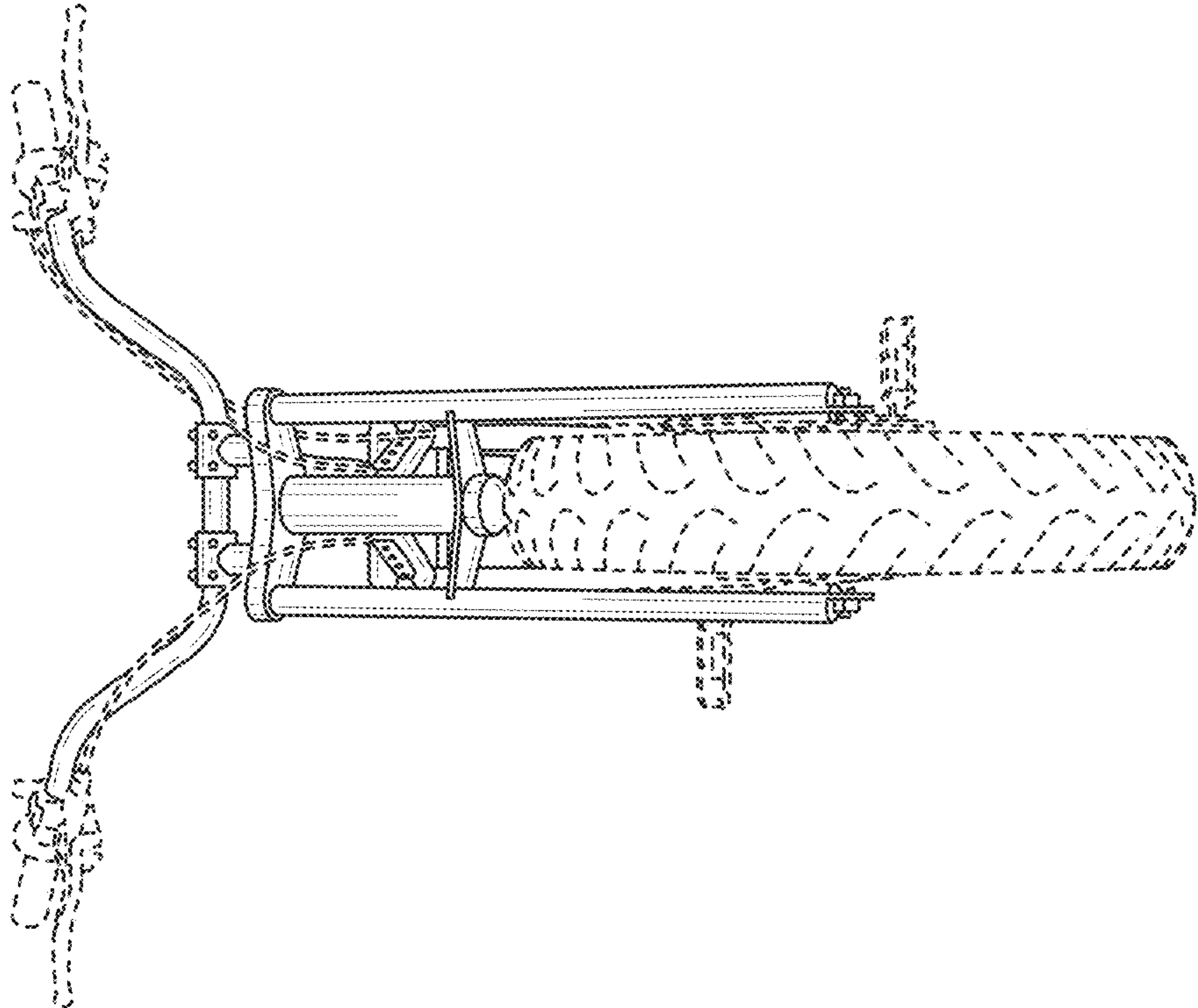


FIG. 3

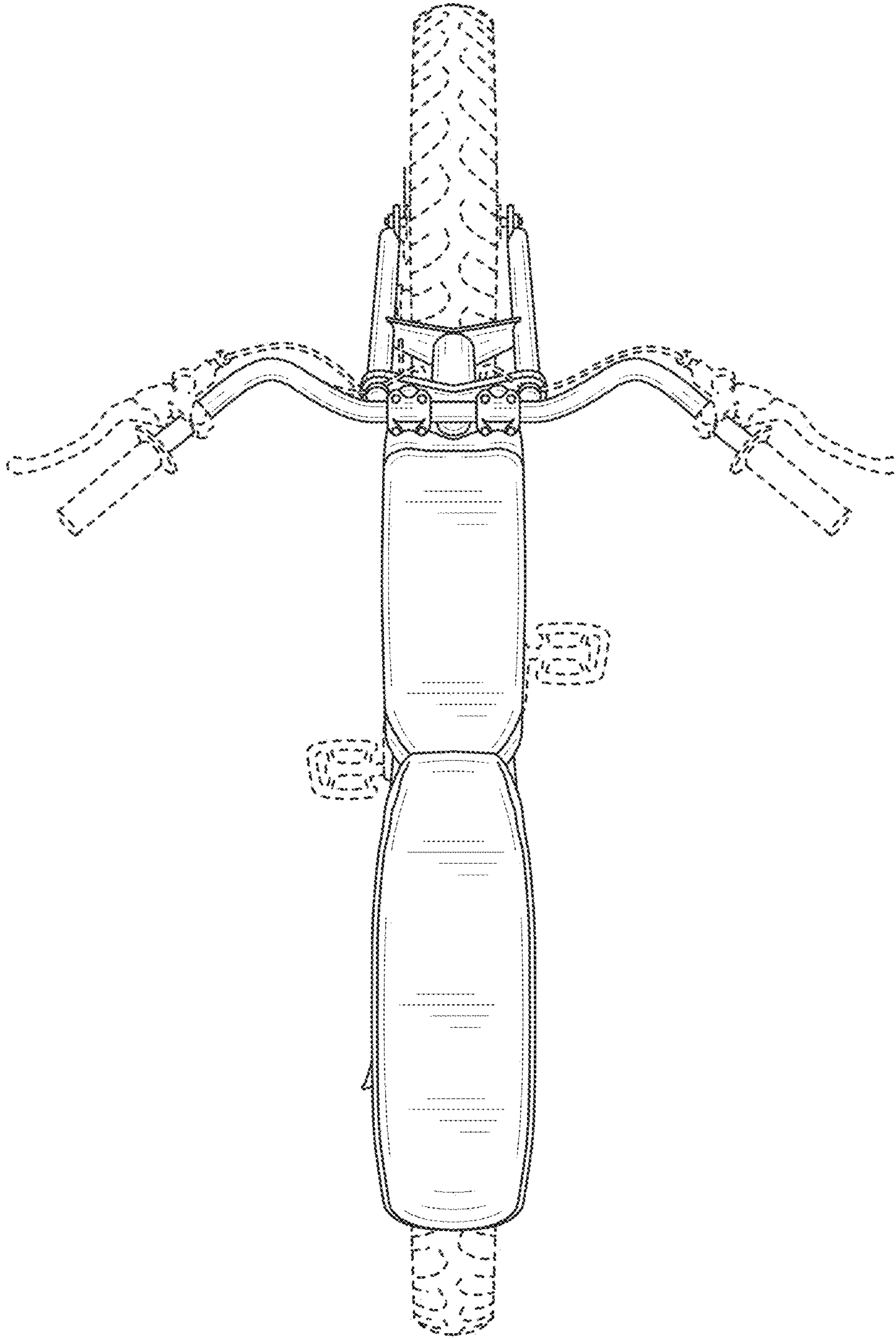


FIG. 5

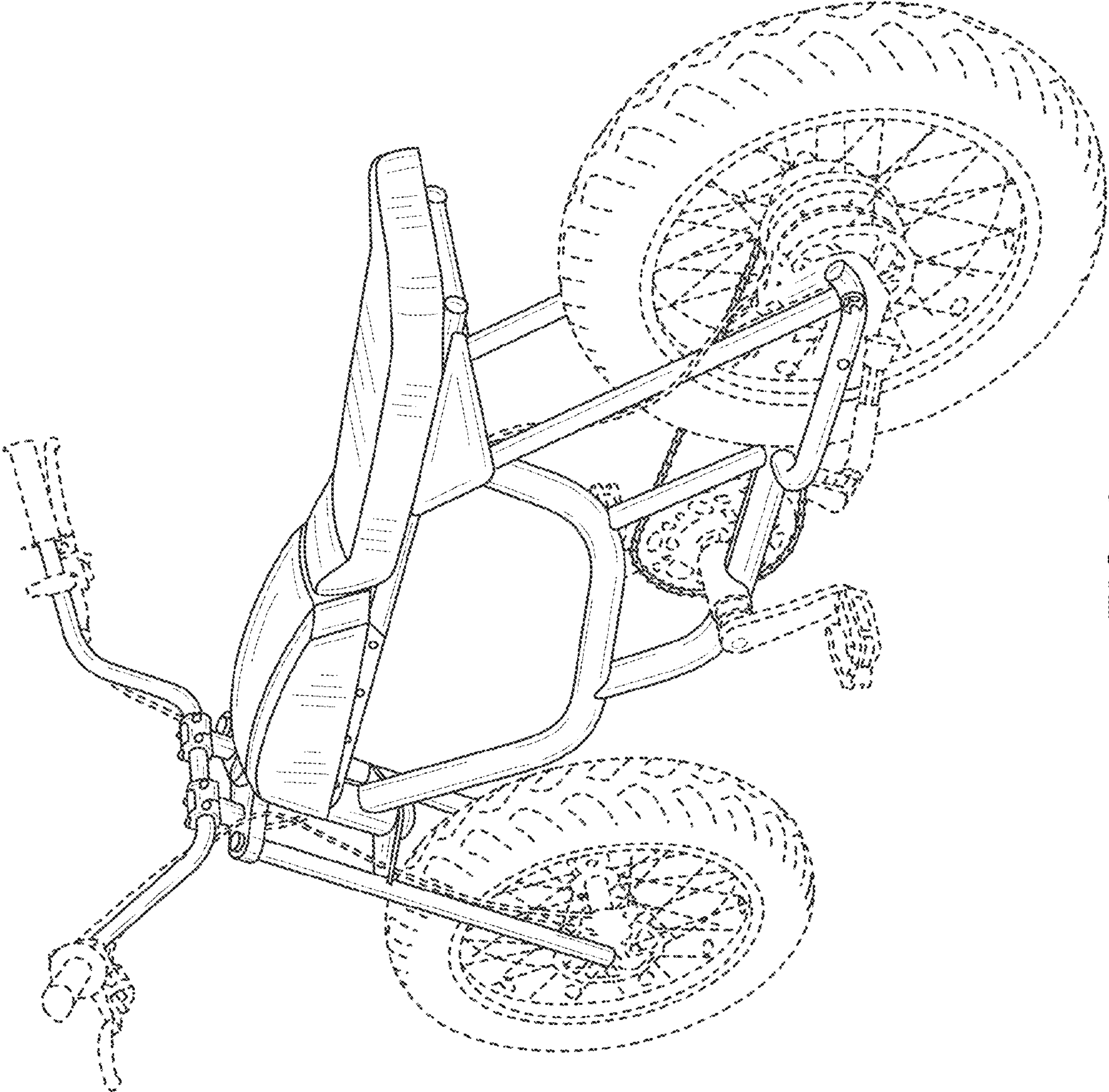


FIG. 6

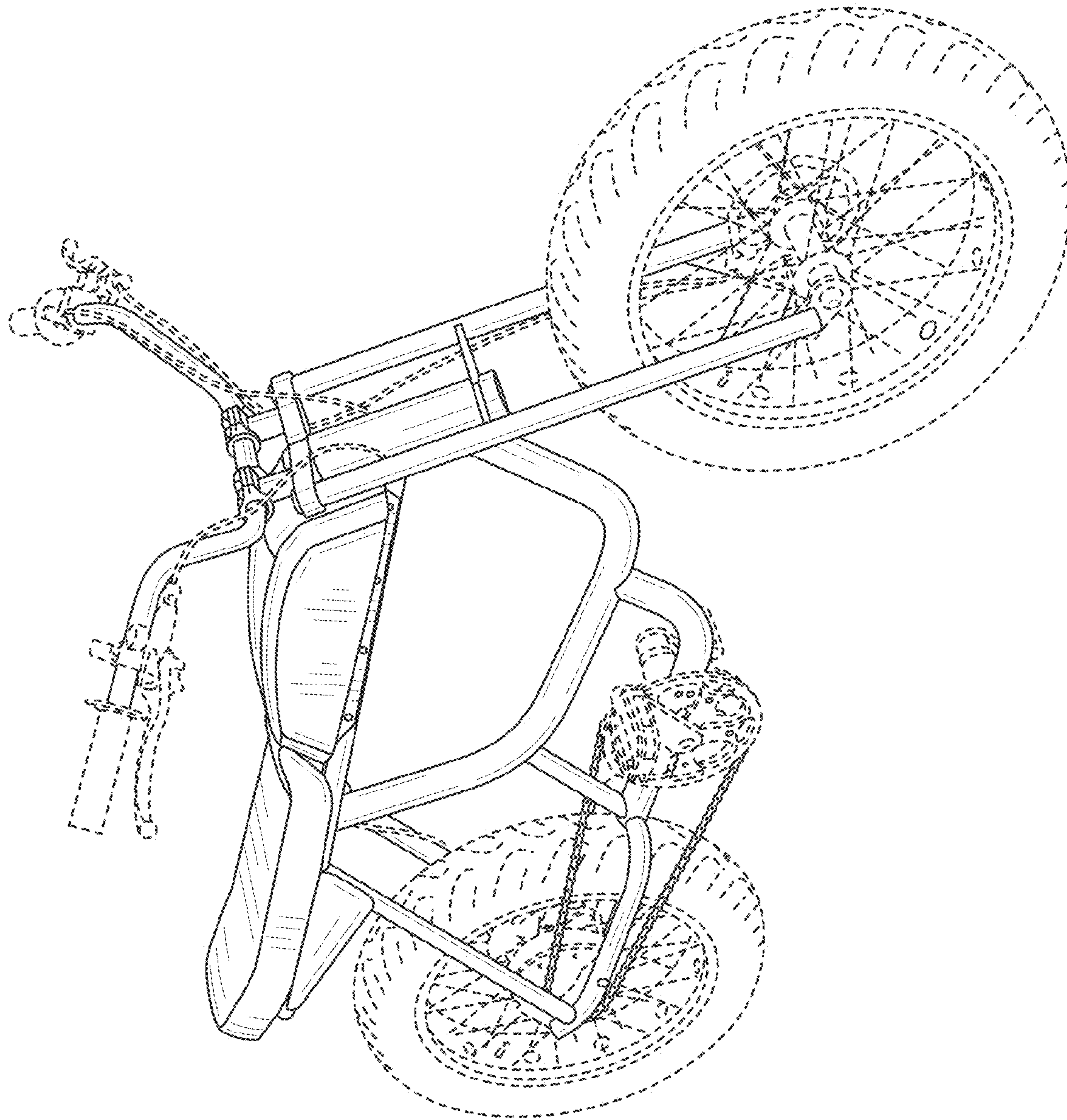


FIG. 7