



US00D971791S

(12) **United States Design Patent** (10) **Patent No.:** **US D971,791 S**
Ytterborn et al. (45) **Date of Patent:** **** Dec. 6, 2022**

(54) **ELECTRIC MOTORCYCLE**
(71) Applicant: **Cake 0 emission AB**, Stockholm (SE)
(72) Inventors: **Stefan Ytterborn**, Stockholm (SE);
David Gonzales, Stockholm (SE);
Oskar Milke, Stockholm (SE); **Marcus Carlsson**, Stockholm (SE)
(73) Assignee: **CAKE 0 EMISSION AB**, Stockholm (SE)
(**) Term: **15 Years**
(21) Appl. No.: **29/828,369**
(22) Filed: **Feb. 25, 2022**

D507,210 S 7/2005 Kuchenbrod
D556,092 S 11/2007 Green
D590,750 S 4/2009 Hays
D591,203 S * 4/2009 Martin D12/110
D620,400 S * 7/2010 Haller D12/111
D645,791 S * 9/2011 Lee D12/110
D665,706 S * 8/2012 Oyanagi D12/110
D689,798 S * 9/2013 Patterson D12/111
D774,967 S 12/2016 O' Sullivan
D774,980 S 12/2016 Duehring
D776,577 S 1/2017 Greiner
D798,771 S 10/2017 Pomerantz
D803,103 S * 11/2017 Clyde D12/110
D809,994 S 2/2018 Braddock, III
D833,916 S 11/2018 Yu
D852,679 S 7/2019 Deltour
D858,363 S 9/2019 Hoshino

(Continued)

Related U.S. Application Data

(62) Division of application No. 29/779,899, filed on Apr. 21, 2021, now Pat. No. Des. 948,382, which is a division of application No. 29/711,881, filed on Nov. 4, 2019, now Pat. No. Des. 920,852.

Foreign Application Priority Data

(30) May 6, 2019 (EM) 006428256
(51) **LOC (13) Cl.** **12-11**
(52) **U.S. Cl.**
USPC **D12/110**
(58) **Field of Classification Search**
USPC D12/110, 111, 117; D21/432, 532
CPC . B62K 11/00; B62K 11/1102; B62K 11/1104;
B62K 11/111; B62K 11/17; B62K 11/19;
B62K 11/2202

See application file for complete search history.

References Cited

U.S. PATENT DOCUMENTS

2,445,058 A * 7/1948 Fields B62M 25/00
180/335
D368,242 S * 3/1996 Camfield D12/111

OTHER PUBLICATIONS

“Ösa flex” Cake., posted date Jan. 26, 2018 [online], [retrieved on Dec. 29, 2021]. Retrieved from the Internet: <URL: <https://ridecake.com/en/shop/bikes/explore-and-commute-series/osa-flex/>> (Year: 2021).*

(Continued)

Primary Examiner — Darlington Ly
Assistant Examiner — Nasim Abdulaziz Ali
(74) *Attorney, Agent, or Firm* — Tucker Ellis LLP

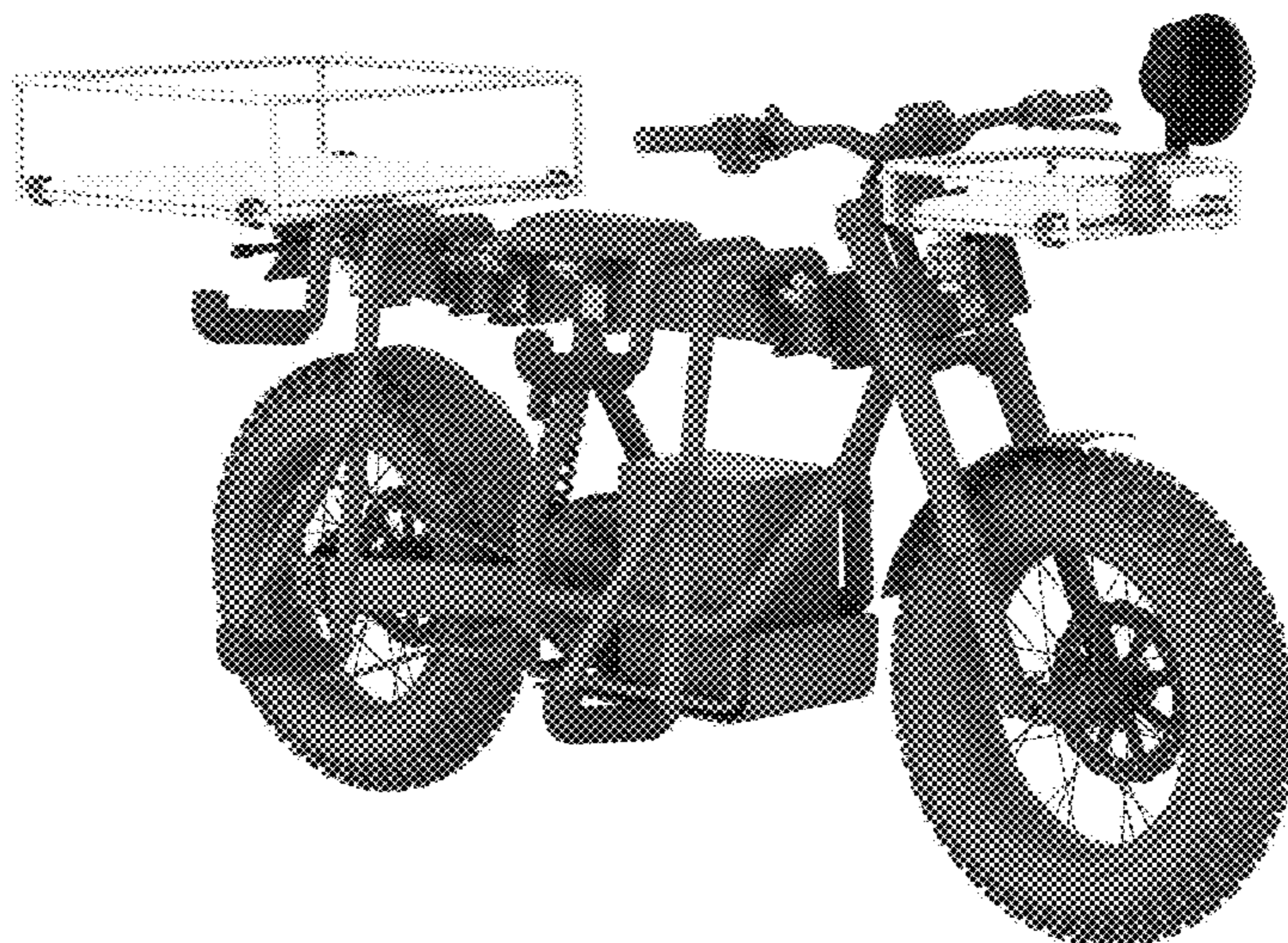
(57) **CLAIM**

The ornamental design for an electric motorcycle, as shown and described.

DESCRIPTION

FIG. 1 is a front, right side and top perspective view of an electric motorcycle embodying our new design; and, FIG. 2 is a rear, left side and top perspective view thereof.

1 Claim, 2 Drawing Sheets



(56)

References Cited

U.S. PATENT DOCUMENTS

D864,794 S	*	10/2019	Waters	D12/110
D868,636 S		12/2019	Ytterborn	
D901,336 S		11/2020	Kuehne	
D920,852 S	*	6/2021	Ytterborn	D12/110
D927,985 S		8/2021	Knobel	
D931,760 S	*	9/2021	Su	D12/111
D934,737 S	*	11/2021	Chambers	D12/110
D936,527 S	*	11/2021	Okonsky	D12/111
D939,387 S	*	12/2021	Chambers	D12/111
D940,008 S	*	1/2022	Lou	D12/110
D948,382 S	*	4/2022	Ytterborn	D12/110

OTHER PUBLICATIONS

“Ösa Flex” Cake., posted date Nov. 4, 2021 [online], [retrieved on Dec. 29, 2021]. Retrieved from the Internet: <URL: <https://ride-0.com/en/shop/cake-bikes-en/oesa-en/oesa-flex/>> (Year: 2021).*

“Swedish electric motorbike maker Cake” Cake., posted date Sep. 27, 2021 [online], [retrieved on Dec. 29, 2021]. Retrieved from the

Internet: <URL: <https://electrek.co/2021/09/27/swedish-electric-motorbike-maker-cake-lands-60m-funding-round/>> (Year: 2021).*

Electrek: “Swedish Electric Motorbike maker Cake lands \$60M funding round”, posted Sep. 27, 2021; 11 pages.

Ercolina: “Mandrel Samples”; posted on Jun. 7, 2012; Retrieved from the Internet on Jan. 11, 2022; 2 pages.

Cake, “Osa Flex—Ride-0”; posted on Nov. 4, 2021; Retrieved from the Internet on Dec. 29, 2021; 10 pages.

Cake., “Osa Flex—Cake”; posted on Jan. 26, 2018; Retrieved from the Internet on Dec. 29, 2021; 25 pages.

Made-in-China: “E-Bend-Waveguide-From-Hexu-Microwave”; posted date Aug. 8, 2017; Retrieved from the Internet an Jan. 11, 2022; 13 pages.

Summit Racing Equipment: “Summit Racing SUM-TSR2X3-12090-Summit Racing Boxed Tubing Framerrail Bends”; posted on Jun. 20, 2016; Retrieved from the Internet on Jan. 11, 2022; 6 pages.

Indiamart: “U-Shape CNC Tube Bending Service, Material—Carbon Steel”; posted on Aug. 8, 2017; Retrieved from the Internet on Jan. 11, 2022; 8 pages.

Jorgenson Metal: “Pipe & Tube Bending/ Manipulation”; posted on Aug. 10, 2010; Retrieved from the Internet on Jan. 11, 2022; 7 pages.

* cited by examiner



FIG. 1



FIG. 2