



US00D971790S

(12) **United States Design Patent**
Kupitza

(10) **Patent No.:** **US D971,790 S**

(45) **Date of Patent:** **** Dec. 6, 2022**

- (54) **MOTOR TRUCK CAB PANEL**
- (71) Applicant: **Man Truck & Bus SE**, Munich (DE)
- (72) Inventor: **Rudolf Kupitza**, Munich (DE)
- (73) Assignee: **MAN TRUCK & BUS SE**, Munich (DE)
- (**) Term: **15 Years**
- (21) Appl. No.: **29/807,520**
- (22) Filed: **Sep. 13, 2021**

D416,829 S	11/1999	Sacco et al.	
D422,944 S	4/2000	Hellhake et al.	
D425,826 S	5/2000	Hellhake et al.	
D442,519 S *	5/2001	Sacco	D12/96
6,230,832 B1	5/2001	von Mayenburg et al.	
D540,219 S	4/2007	Oka	
D567,885 S	4/2008	Amadio et al.	
D570,740 S *	6/2008	Emoto	D12/96
D571,259 S *	6/2008	Emoto	D12/96
D619,049 S *	7/2010	Beigel	D12/96
D623,091 S *	9/2010	Beigel	D12/96
D632,614 S *	2/2011	Iuchi	D12/96

(Continued)

Related U.S. Application Data

- (62) Division of application No. 35/509,887, filed on Nov. 26, 2019 (U.S. filing date under 35 U.S.C. 384), and having an international filing date of Nov. 26, 2016, now Pat. No. Des. 933,532.

Foreign Application Priority Data

- (30) Jun. 6, 2019 (DE) 40 2019 100 633.8

- (51) **LOC (13) Cl.** **12-08**

- (52) **U.S. Cl.**
USPC **D12/96**; D12/84; D12/195

- (58) **Field of Classification Search**
USPC ... D12/1, 14, 15, 82, 84, 90, 93, 95, 96, 99;
D21/433, 434, 552, 554
CPC B60Y 2200/14; B60Y 2200/141; B60Y
2200/142; B60Y 2200/1422; B62D 33/00;
B62D 33/06; B62D 33/077; B62D
33/0604; B62D 33/0612
See application file for complete search history.

References Cited

U.S. PATENT DOCUMENTS

2,699,223 A	1/1955	Brumbaugh
D276,710 S	12/1984	Brunger et al.
4,972,913 A	11/1990	Ray et al.

OTHER PUBLICATIONS

Hall-Geisler, "Nikola Motor Company unveils its electric (mostly) truck." Tech Crunch., May 19, 2016 [online], [retrieved on Sep. 1, 2021]. Retrieved from the Internet <URL: <https://techcrunch.com/2016/05/19/nikola-motor-company-unveils-its-electric-mostly-truck/>>.

(Continued)

Primary Examiner — Darlington Ly

(74) *Attorney, Agent, or Firm* — Fox Rothschild LLP

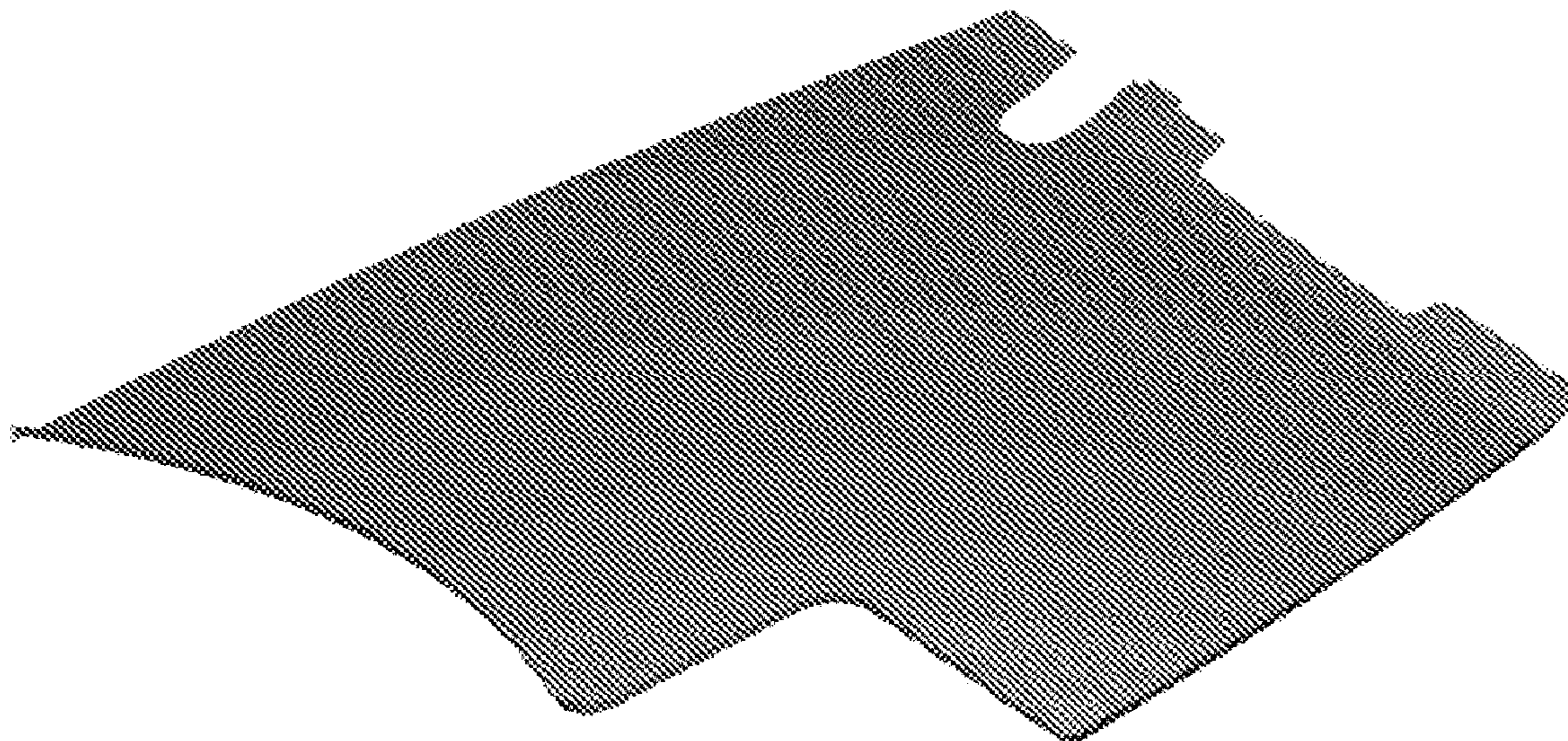
(57) **CLAIM**

The ornamental design for a motor truck cab panel, as shown and described.

DESCRIPTION

FIG. 1 is a left side elevation view of a motor truck cab panel embodying my new design;
FIG. 2 is a right side elevation view thereof;
FIG. 3 is a left side perspective view thereof;
FIG. 4 is a right side perspective view thereof;
FIG. 5 is a front perspective view thereof;
FIG. 6 is a rear perspective view thereof;
FIG. 7 is a front elevation view thereof; and,
FIG. 8 is a rear elevation view thereof.

1 Claim, 8 Drawing Sheets



(56)

References Cited

U.S. PATENT DOCUMENTS

D634,244 S * 3/2011 Aris D12/96
 D642,205 S * 7/2011 Yamamoto D15/30
 D651,136 S * 12/2011 Stimel, Jr. D12/96
 D653,994 S * 2/2012 Fukushima D12/96
 D666,528 S * 9/2012 Lai D12/96
 D685,294 S 7/2013 Hanson et al.
 D687,868 S * 8/2013 Watson D15/30
 8,590,652 B2 11/2013 Grumbo
 D700,109 S 2/2014 Brzustowicz et al.
 D748,156 S * 1/2016 Koponen D15/30
 D813,728 S * 3/2018 Ito D12/93
 D817,229 S * 5/2018 Anderson D12/96
 D842,349 S * 3/2019 Kim D15/30
 D861,537 S * 10/2019 Lamanna D12/84
 D871,267 S * 12/2019 Armigliato D12/93
 D899,972 S * 10/2020 Lamanna D12/195
 D912,578 S * 3/2021 Egger D12/96
 D933,532 S * 10/2021 Kupitza D12/93

D944,124 S * 2/2022 Spada B62D 25/06
 D12/93
 2013/0202395 A1 8/2013 Levi
 2020/0259143 A1* 8/2020 Sloan B60L 50/66
 2021/0268865 A1* 9/2021 Saroka B60H 1/32284
 2022/0105791 A1* 4/2022 Hendriks B60K 1/00

OTHER PUBLICATIONS

Saleem, "Hyzon Motors Is Ready To Exploit Its First-Mover Advantage . . ." WCCF Tech., May 18, 2021 [online], [retrieved on Sep. 1, 2021]. Retrieved from the Internet <URL: <https://wccftech.com/hyzon-motors-is-ready-to-exploit-its-first-mover-advantage-by-launching-hydrogen-fuel-cell-powered-co>>.
 "Top 10 Chinese Heavy-duty Truck Manufacturers." Car Logos., Jul. 1, 2021 [online], [retrieved on Sep. 1, 2021]. Retrieved from the Internet <URL: <https://www.carlogos.org/reviews/chinese-heavy-duty-truck-manufacturers.html>>.

* cited by examiner

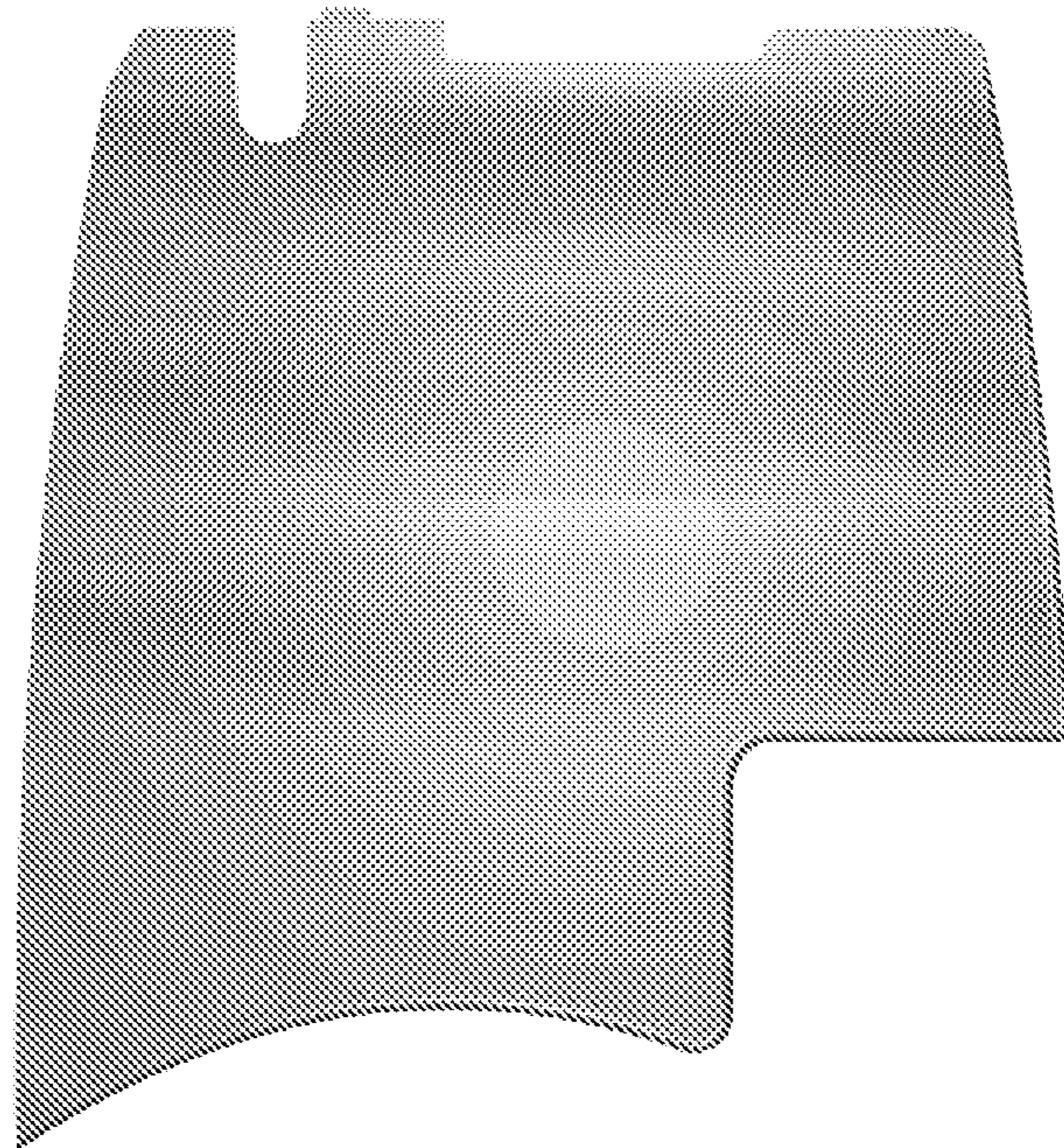


FIG. 1

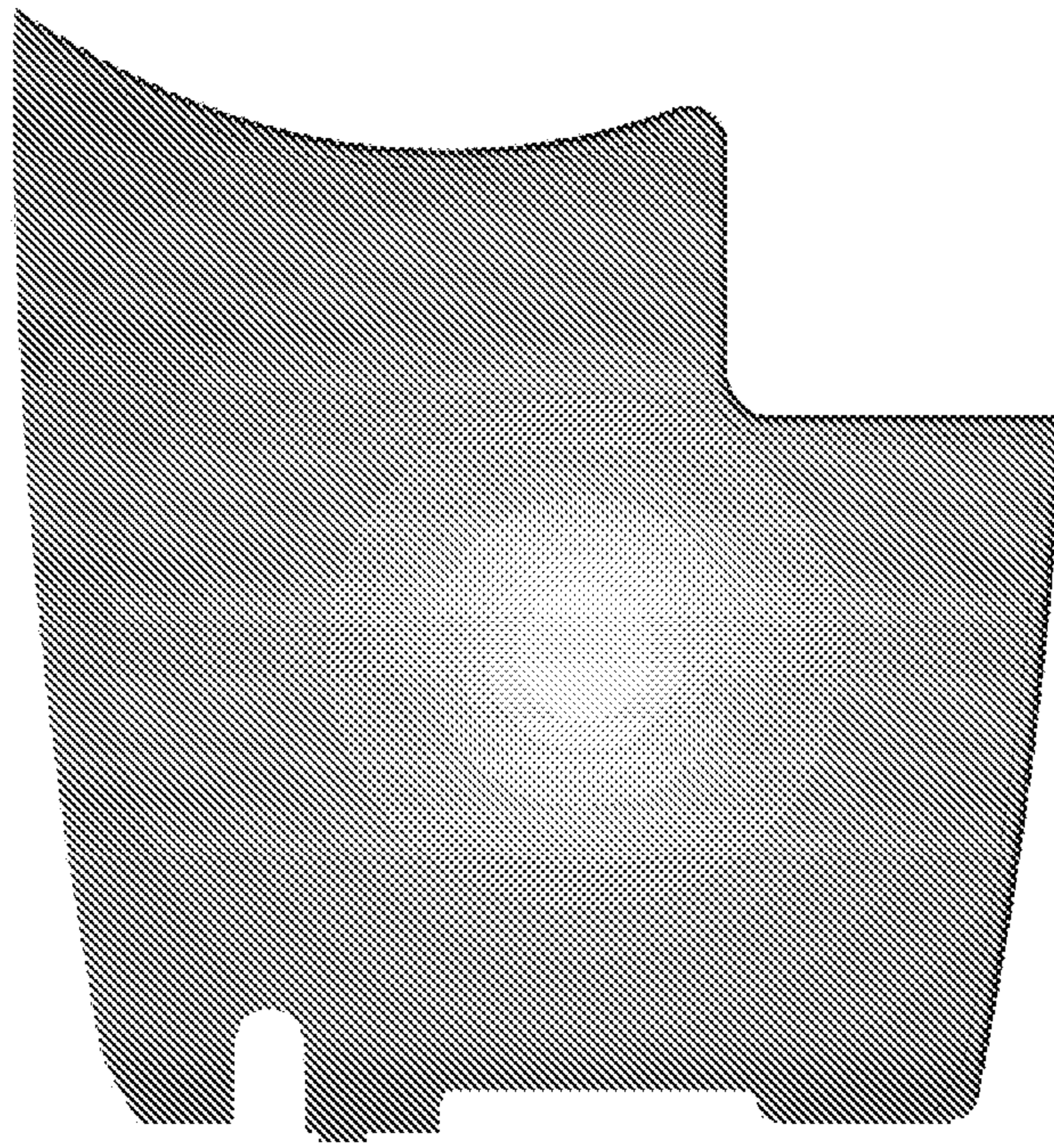


FIG. 2

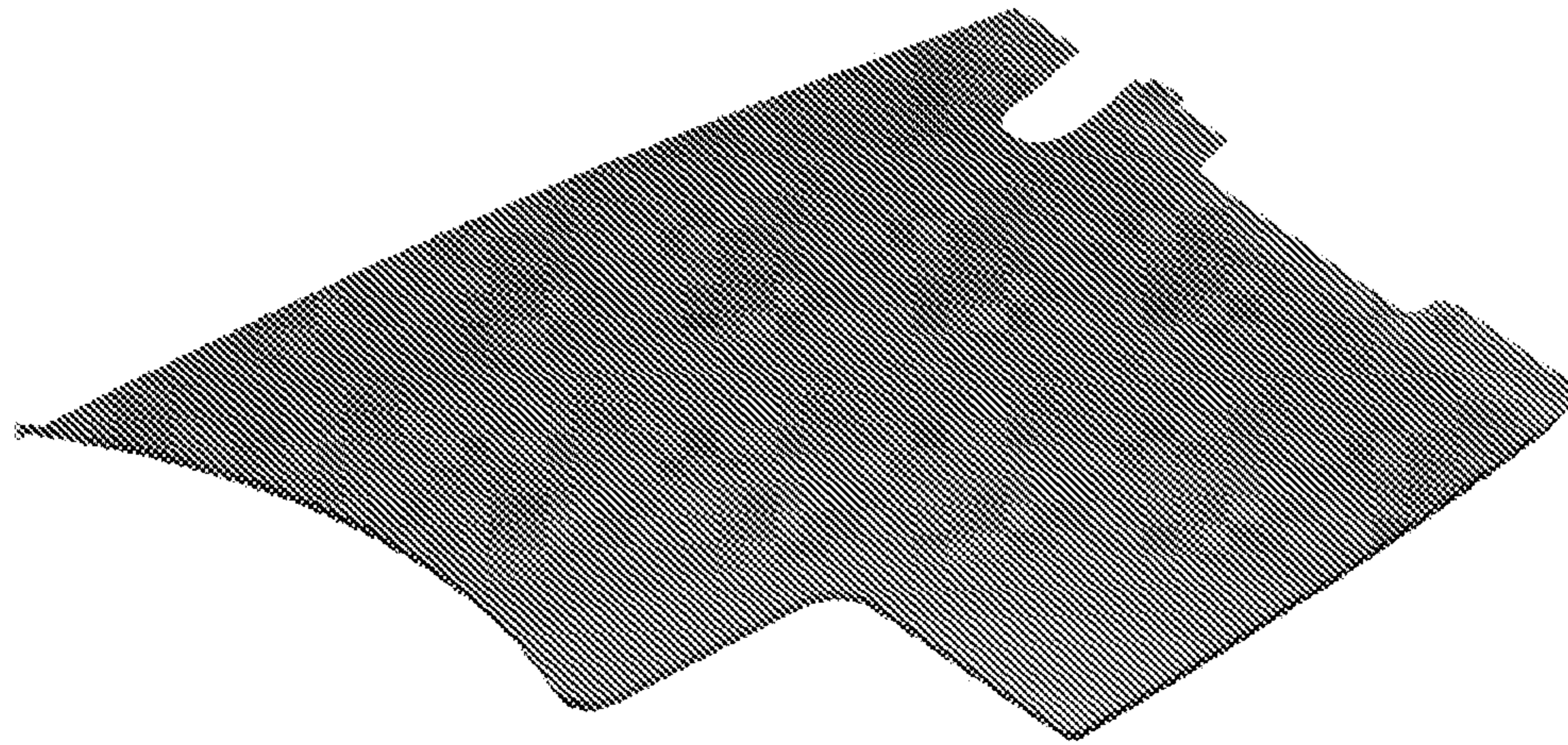


FIG. 3

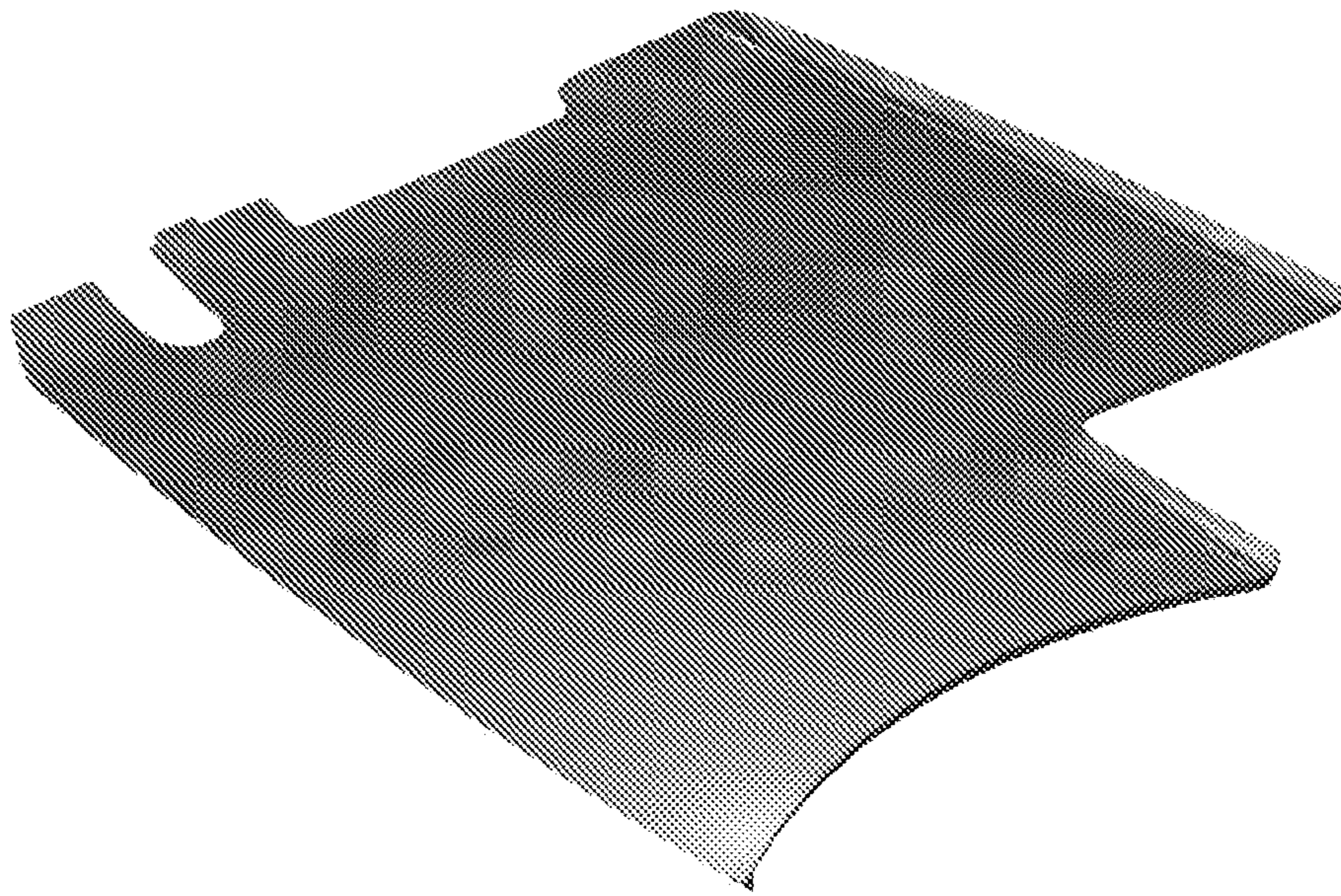


FIG. 4

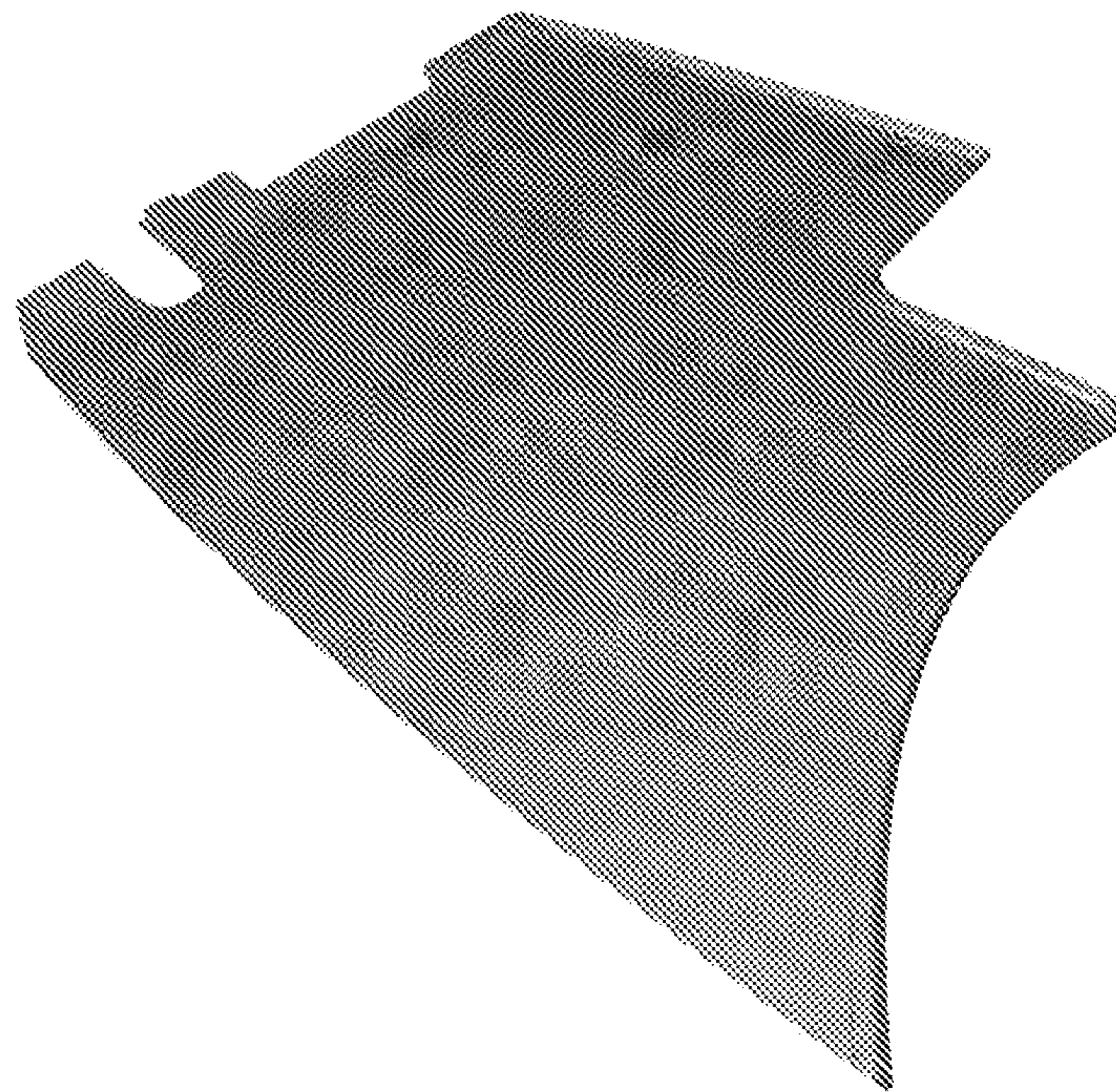


FIG. 5

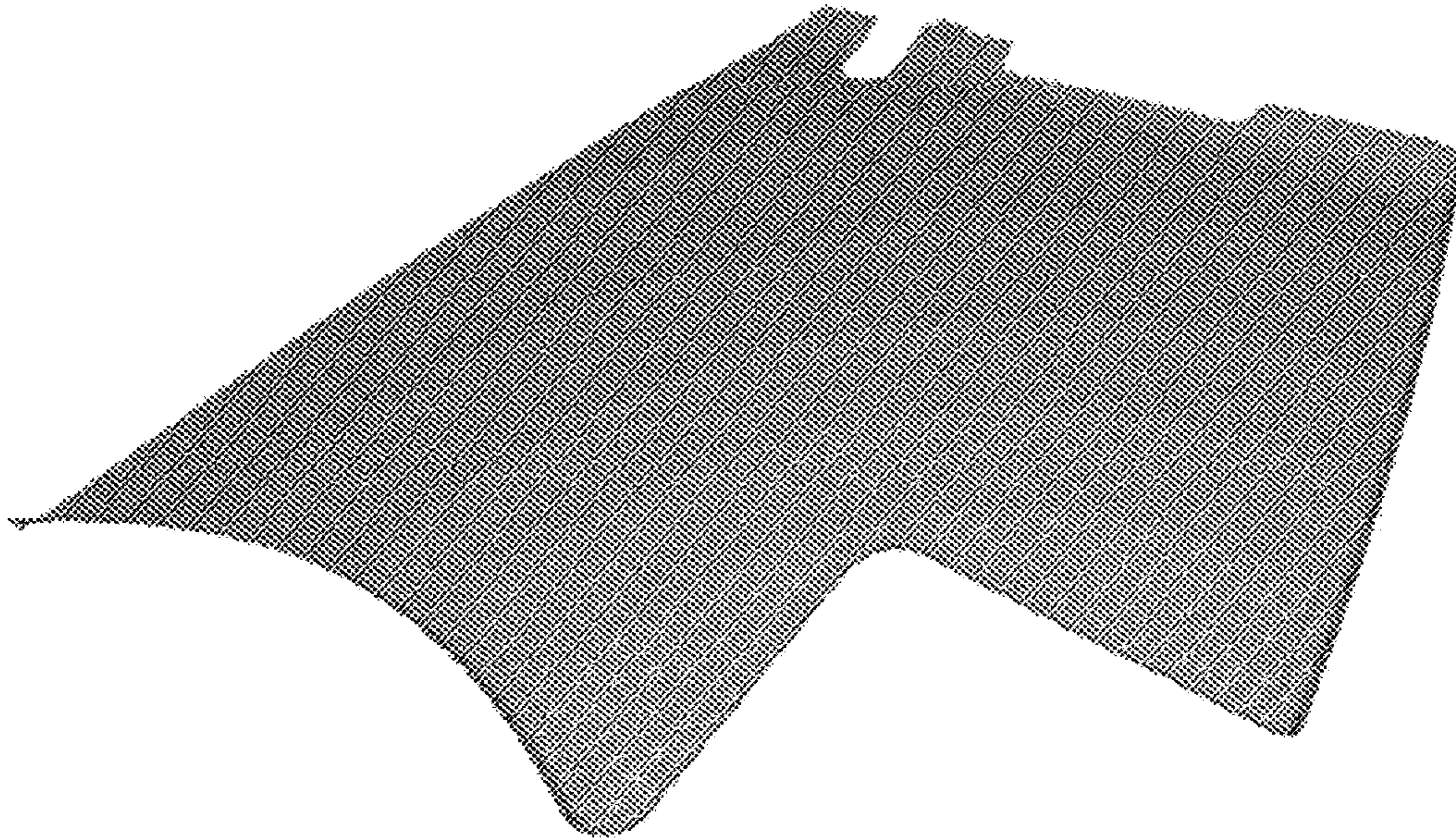


FIG. 6



FIG. 7

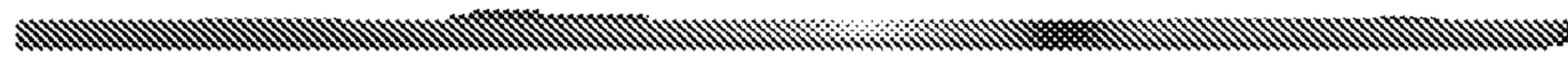


FIG. 8