



US00D971789S

(12) **United States Design Patent** (10) **Patent No.:** **US D971,789 S**  
**Dos Santos et al.** (45) **Date of Patent:** **\*\* Dec. 6, 2022**

(54) **TRUCK CAB, TOY, AND/OR REPLICAS THEREOF**  
(71) Applicant: **Daimler Truck AG**,  
Leinfelden-Echterdingen (DE)  
(72) Inventors: **Rafael Dos Santos**, Portland, OR (US);  
**Jeffrey Cotner**, Portland, OR (US);  
**Austin Cox**, Portland, OR (US);  
**Matthew Rodrigues**, Oregon City, OR (US);  
**Edwin Ng**, West Linn, OR (US);  
**Michael Dawson**, Boring, OR (US);  
**Joon-Ho Lee**, Beaverton, OR (US);  
**Jason Randall**, Vancouver, WA (US);  
**Paul Bakonyi**, Portland, OR (US);  
**Andrew Olson**, Happy Valley, OR (US);  
**Steven Powell**, Beaverton, OR (US)  
(73) Assignee: **Daimler Truck AG**,  
Leinfelden-Echterdingen (DE)

(\*\*) Term: **15 Years**  
(21) Appl. No.: **29/763,258**  
(22) Filed: **Dec. 22, 2020**  
(51) **LOC (13) Cl.** ..... **12-08**  
(52) **U.S. Cl.**  
USPC ..... **D12/93**  
(58) **Field of Classification Search**  
USPC ... D12/1, 14, 82, 84, 85, 86, 87, 88, 89, 90,  
D12/91, 92, 93, 94, 96, 97, 98, 99, 100,  
D12/164, 167, 169, 170, 171, 172, 173,  
D12/181, 184, 185, 190, 192, 196;  
D21/533, 548, 552, 561  
CPC ..... B60Y 2200/10; B60Y 2200/14; B60Y  
2200/22; B60Y 2200/41; B60Y 2200/90;  
B60Y 2200/91; B60Y 2200/112; B60Y  
(Continued)

(56) **References Cited**  
U.S. PATENT DOCUMENTS  
D307,878 S \* 5/1990 Lechner ..... D12/96  
D323,134 S \* 1/1992 Lechner ..... D12/96  
(Continued)

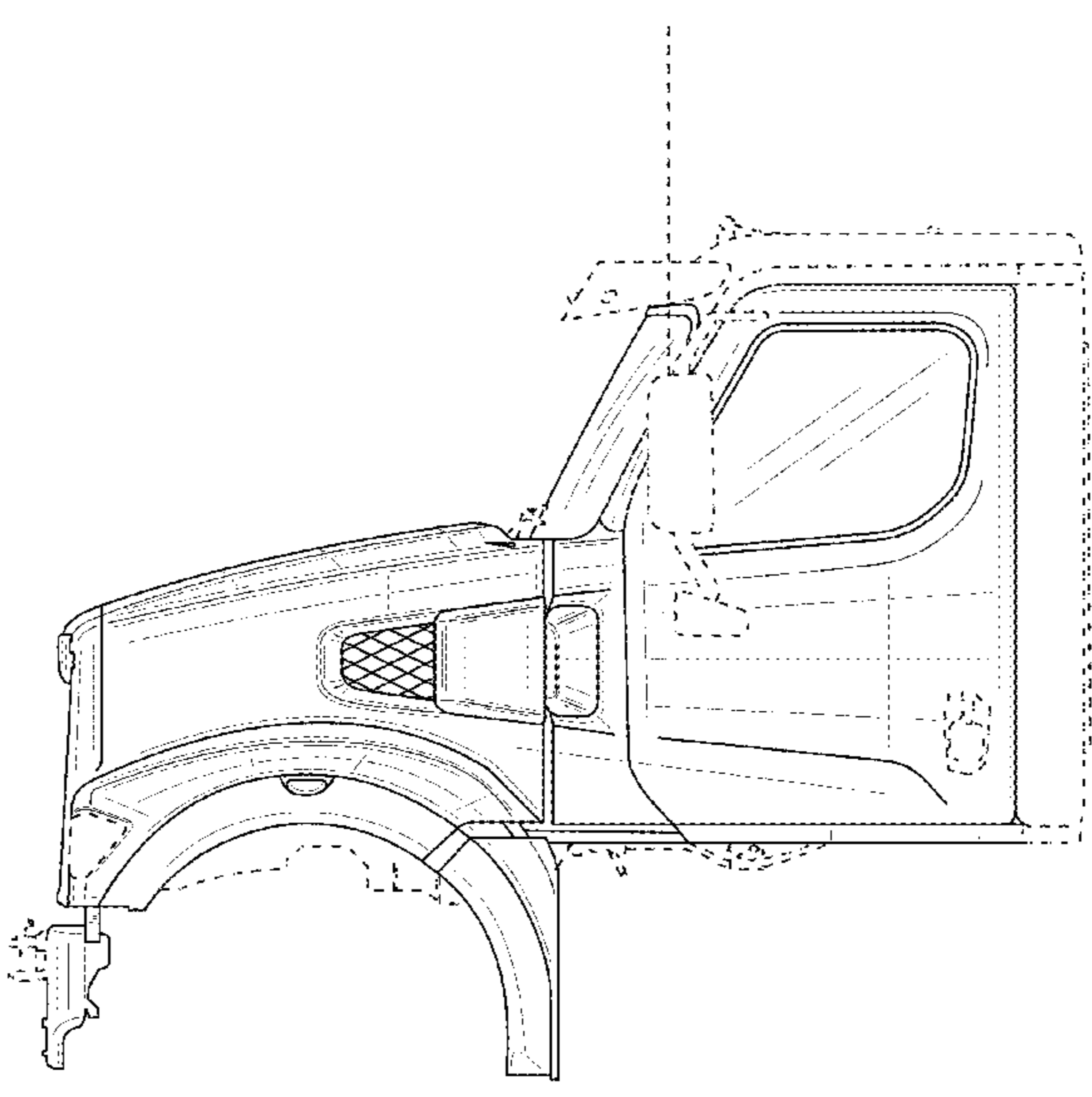
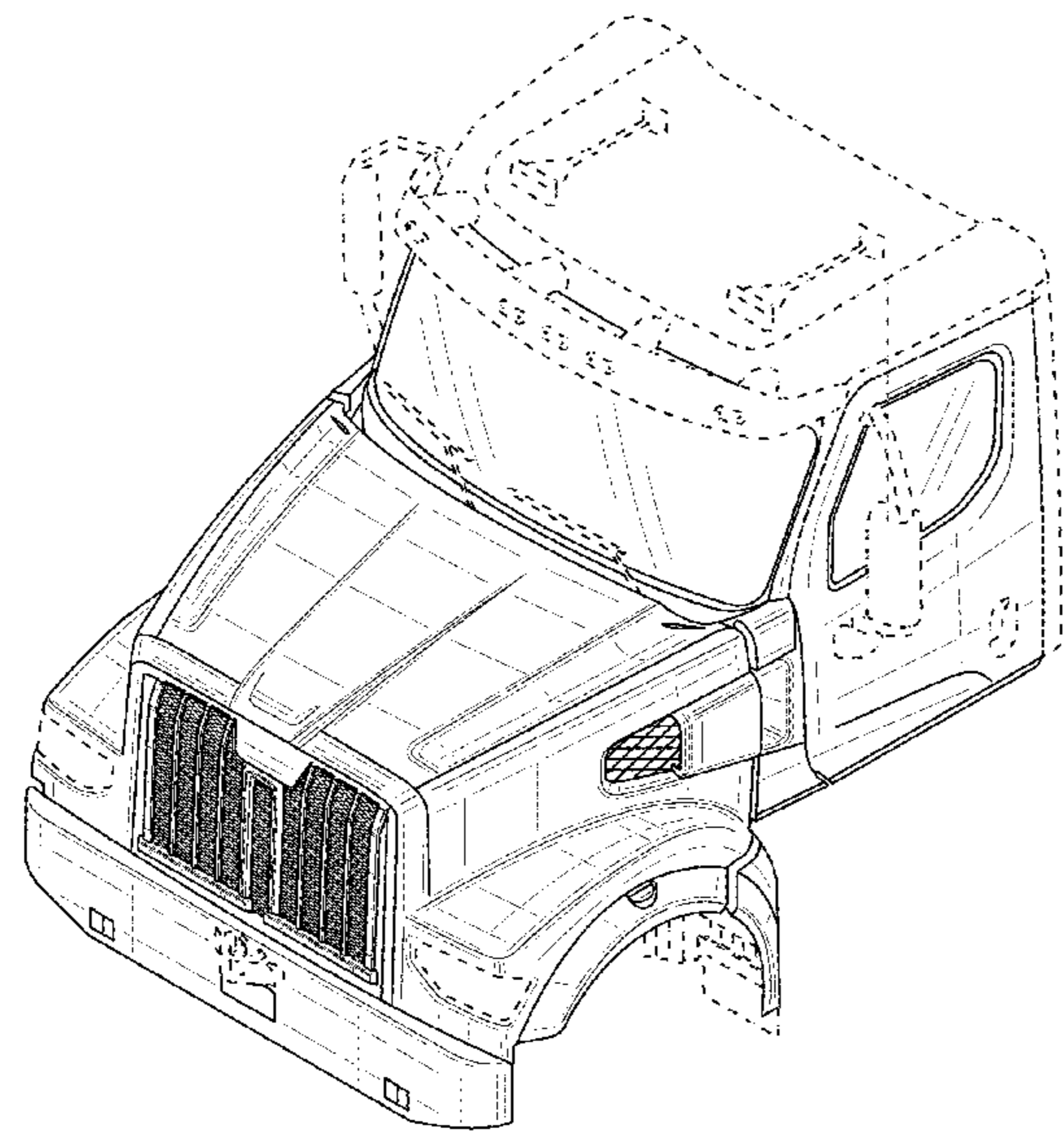
**OTHER PUBLICATIONS**  
Western Star 47X, Published date unavailable [online], [retrieved on Jul. 14, 2022]. Retrieved from the Internet: <https://www.westernstartrucks.com/trucks/47X> (Year: 2022).\*  
(Continued)

*Primary Examiner* — Cary M Robinson  
*Assistant Examiner* — Adam C Mager  
(74) *Attorney, Agent, or Firm* — Crowell & Moring LLP

(57) **CLAIM**  
The ornamental design for a truck cab, toy, and/or replicas thereof, as shown and described.

**DESCRIPTION**  
This application contains subject matter related to the following co-pending U.S. design patent applications: Application Ser. No. 29/763,256, filed herewith and entitled "Radiator Grille for a Vehicle"; Application Ser. No. 29/763,257, filed herewith and entitled "Truck Cab, Toy, and/or Replicas Thereof"; Application Ser. No. 29/763,261, filed herewith and entitled "Headlight for a Vehicle"; and Application Ser. No. 29/763,263, filed herewith and entitled "Hood for a Vehicle".  
FIG. 1 is a left, front perspective view of a truck cab, toy, and/or replicas thereof according to the design;  
FIG. 2 is a front view thereof;  
FIG. 3 is a right side view thereof;  
FIG. 4 is a left side view thereof; and,  
FIG. 5 is a top view thereof.  
The broken lines in the drawings illustrate portions of the truck cab, toy, and/or replicas thereof and forms no part of the claimed design.

**1 Claim, 5 Drawing Sheets**



(58) **Field of Classification Search**

CPC ..... 2200/141; B60Y 2200/142; B60Y  
2200/1422; B62D 33/00; B62D 33/06;  
B62D 33/077; B62D 33/0604; B62D  
33/0612; B62D 29/045; B62D 31/00;  
B62D 31/003; B62D 25/00; B62D 25/02;  
B62D 25/08; B62D 25/10; B62D 25/12;  
B62D 25/105

See application file for complete search history.

D462,036 S \* 8/2002 Mondragon Sarmiento .. D12/96  
D466,450 S \* 12/2002 Maher ..... D12/96  
D489,649 S \* 5/2004 Satou ..... D12/96  
D490,749 S \* 6/2004 Satou ..... D12/96  
D552,515 S \* 10/2007 Prosser ..... D12/96  
D589,846 S \* 4/2009 Tanaka ..... D12/96  
D645,380 S \* 9/2011 Beigel ..... D12/96  
D758,253 S 6/2016 Brzustowicz et al.  
D859,218 S \* 9/2019 Satou ..... D12/96

(56)

**References Cited**

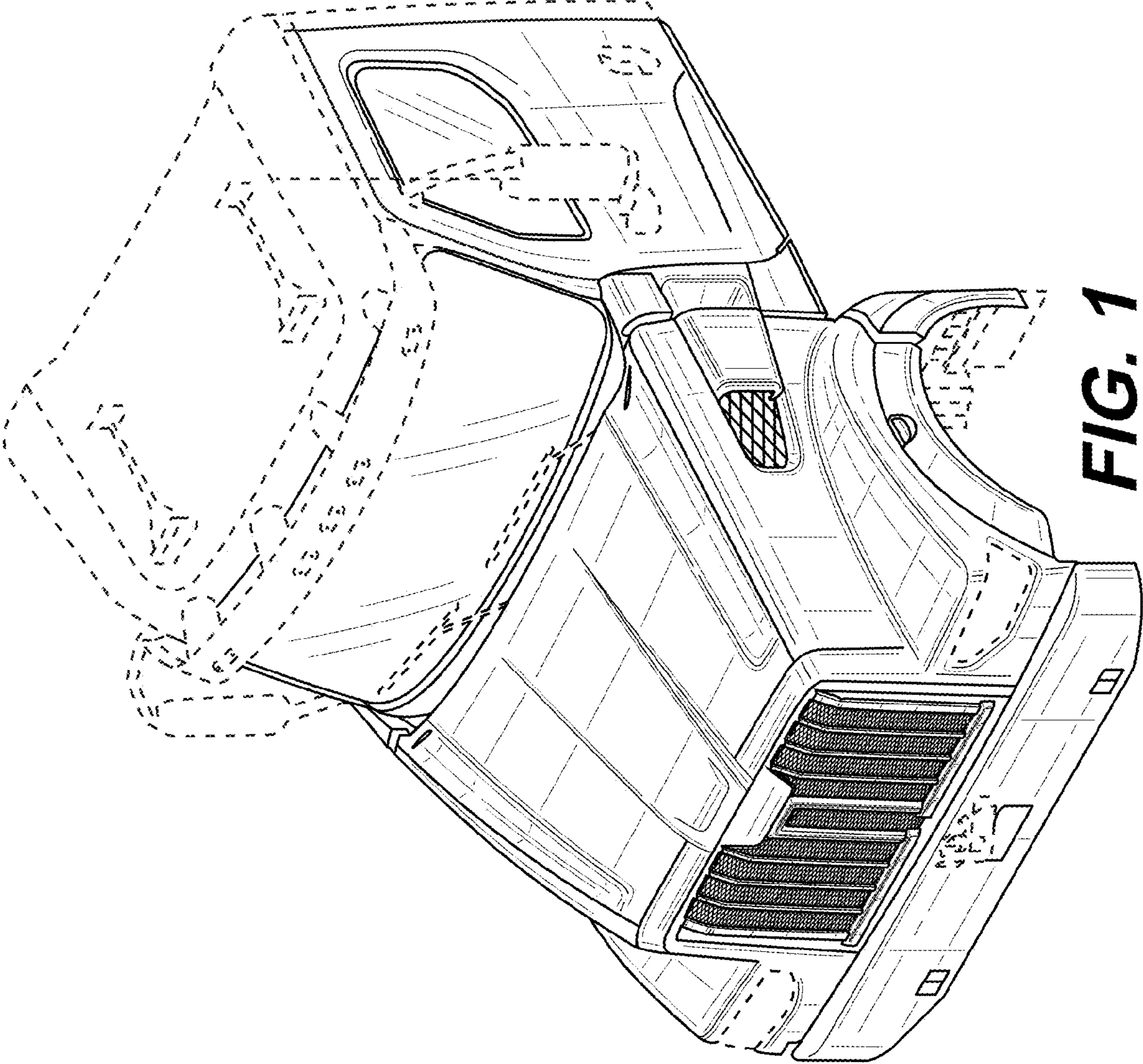
U.S. PATENT DOCUMENTS

D394,026 S \* 5/1998 Hellhake ..... D12/96  
D406,553 S \* 3/1999 Hellhake ..... D12/96  
D445,361 S \* 7/2001 Tirey ..... D12/96

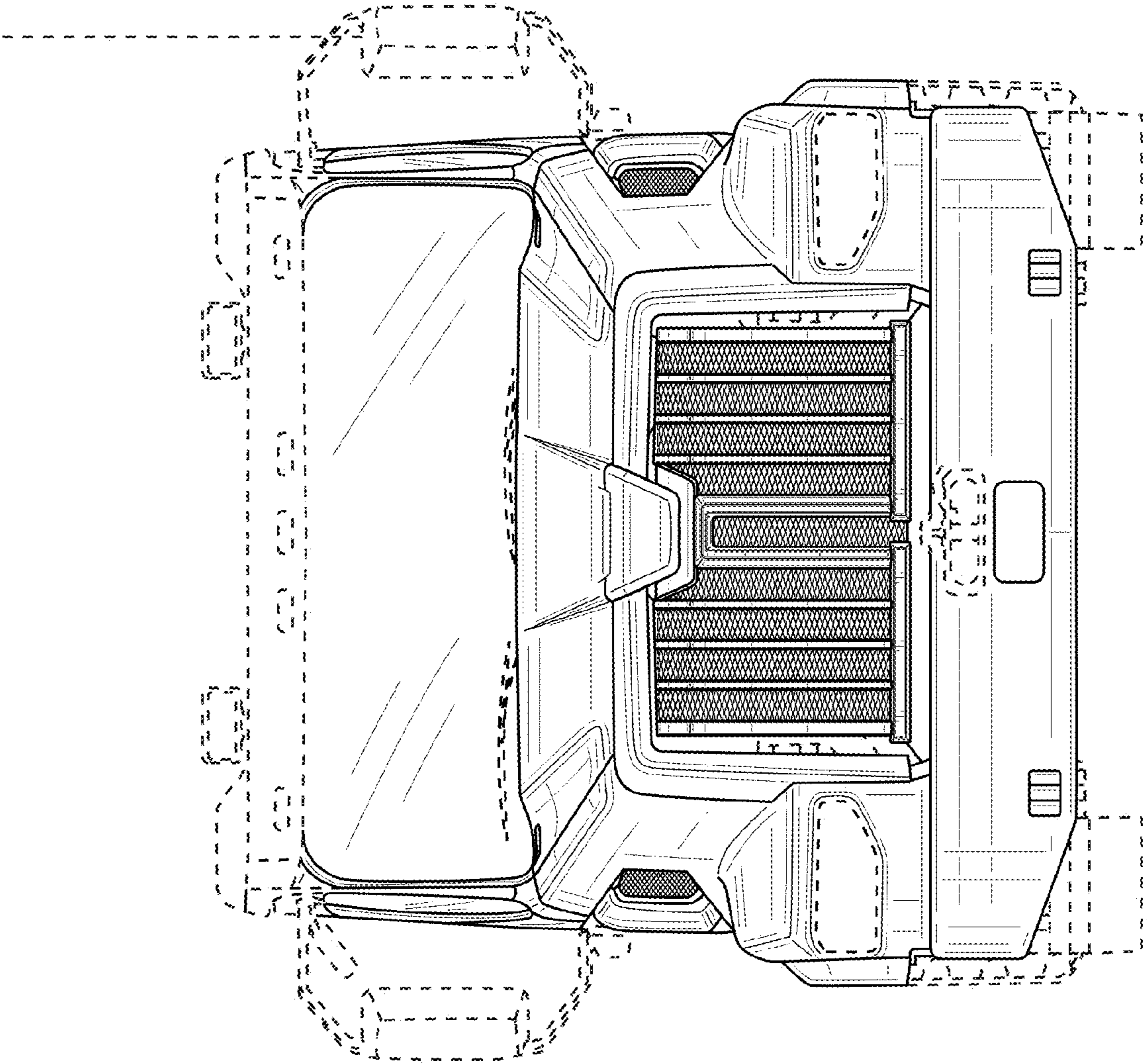
OTHER PUBLICATIONS

“Daimler Trucks präsentiert neuen Western Star-Lkw für spezielle  
Arbeitsgebiete in Nordamerika,” Spotlight, Daimler Truck, Daimler,  
Sep. 30, 2020, pp. 1-4, Daimler Truck AG, Stuttgart, Germany.

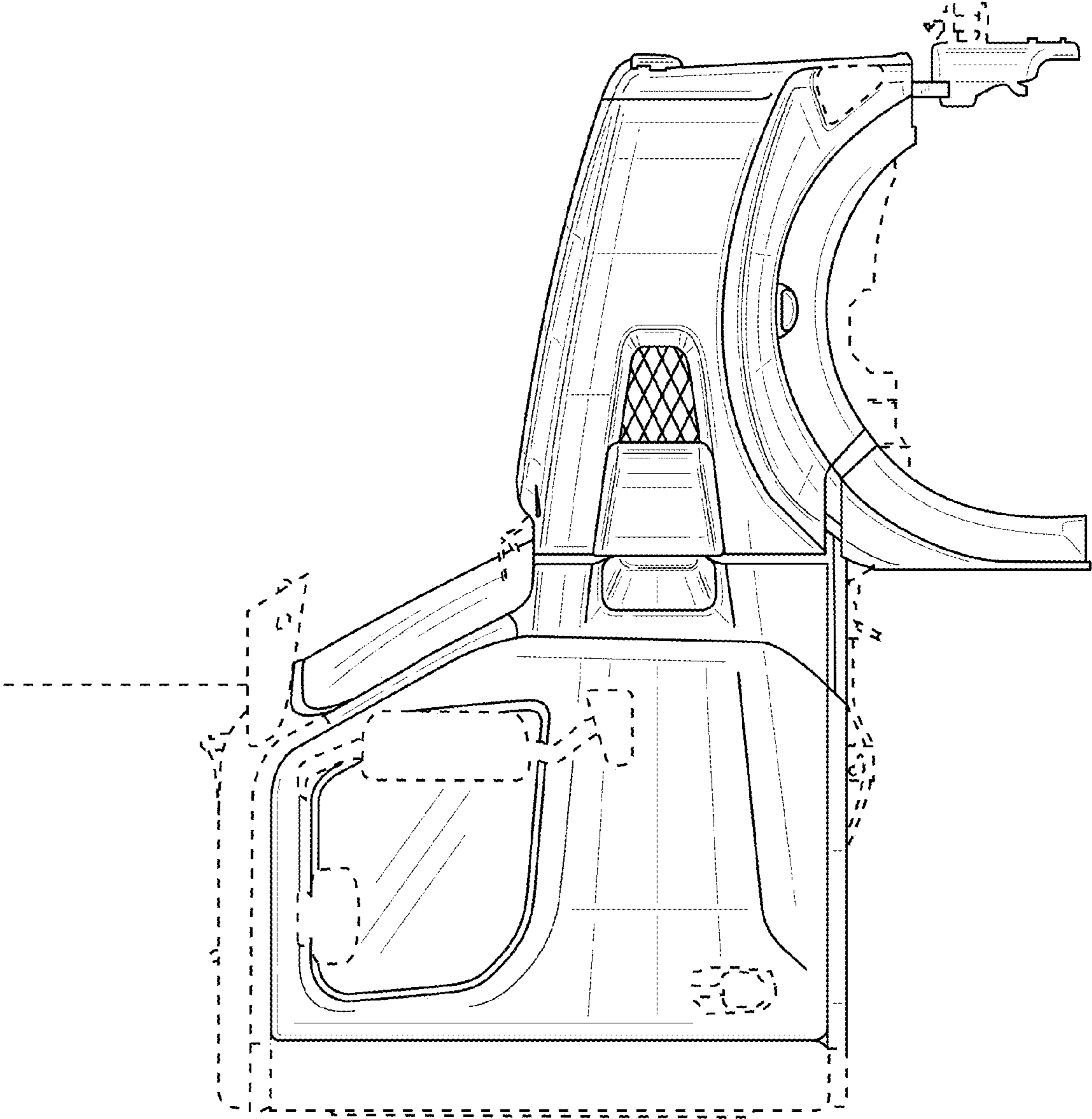
\* cited by examiner



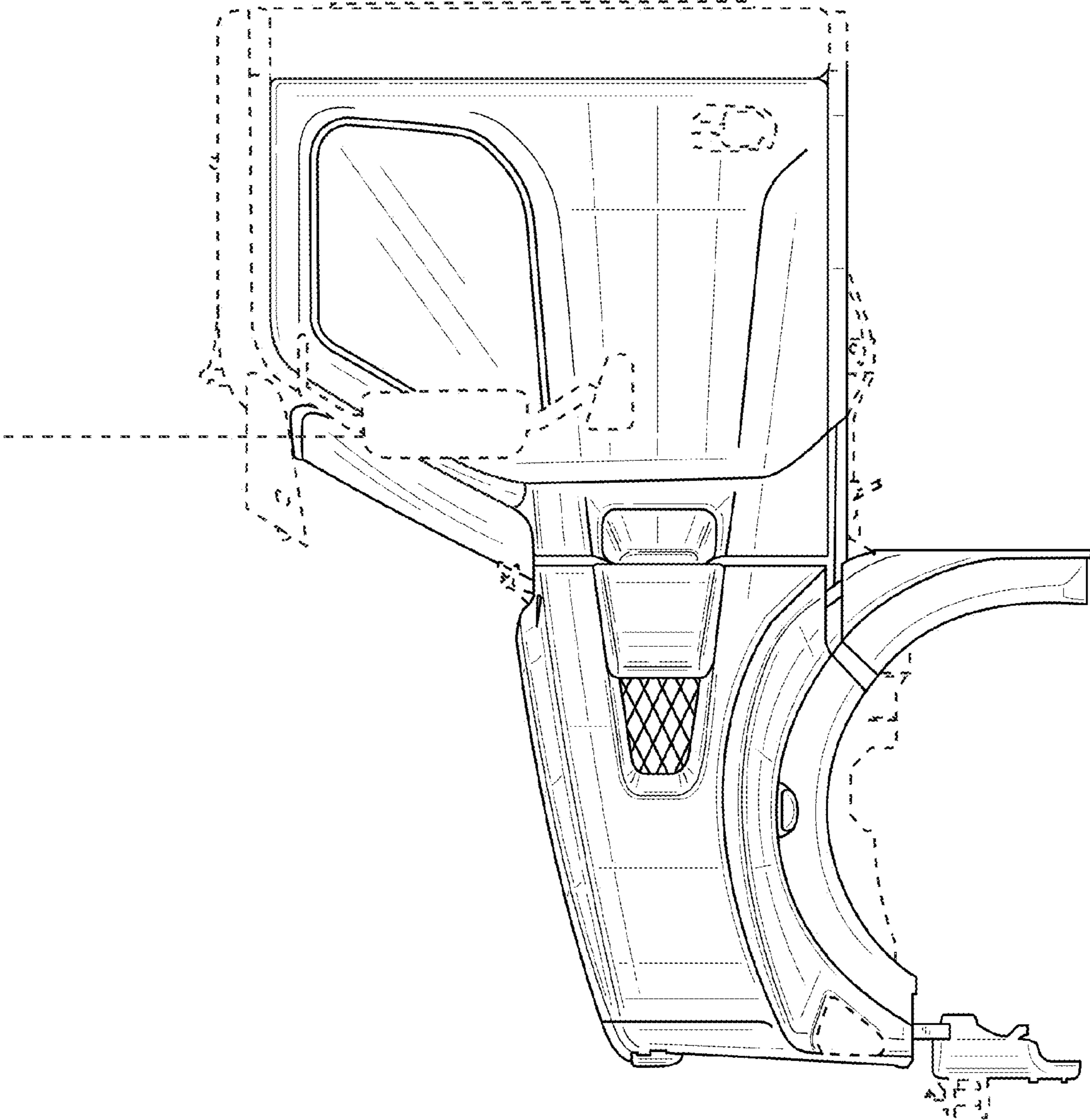
**FIG. 1**



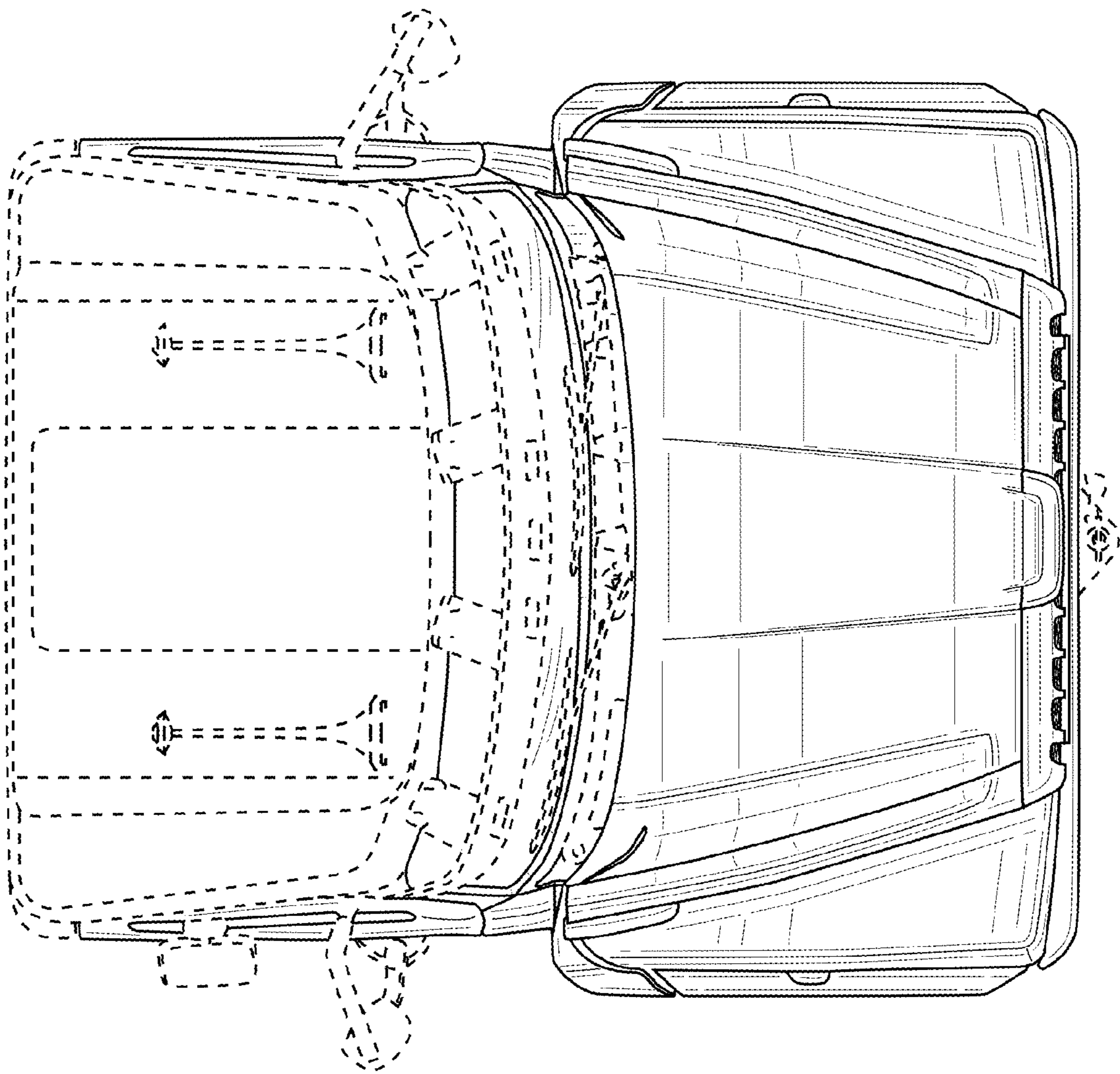
**FIG. 2**



**FIG. 3**



**FIG. 4**



**FIG. 5**