



US00D971788S

(12) **United States Design Patent** (10) **Patent No.:** **US D971,788 S**
Dos Santos et al. (45) **Date of Patent:** **** Dec. 6, 2022**

(54) **TRUCK CAB, TOY, AND/OR REPLICAS THEREOF**

(71) Applicant: **Daimler Truck AG**,
Leinfelden-Echterdingen (DE)

(72) Inventors: **Rafael Dos Santos**, Portland, OR (US);
Jeffrey Cotner, Portland, OR (US);
Austin Cox, Portland, OR (US);
Matthew Rodrigues, Oregon City, OR (US);
Edwin Ng, West Linn, OR (US);
Michael Dawson, Boring, OR (US);
Joon-Ho Lee, Beaverton, OR (US);
Jason Randall, Vancouver, WA (US);
Paul Bakonyi, Portland, OR (US);
Andrew Olson, Happy Valley, OR (US);
Steven Powell, Beaverton, OR (US)

(73) Assignee: **Daimler Truck AG**,
Leinfelden-Echterdingen (DE)

(**) Term: **15 Years**

(21) Appl. No.: **29/763,257**

(22) Filed: **Dec. 22, 2020**

(51) **LOC (13) Cl.** **12-08**

(52) **U.S. Cl.**
USPC **D12/93**

(58) **Field of Classification Search**
USPC ... D12/1, 14, 82, 84, 85, 86, 87, 88, 89, 90,
D12/91, 92, 93, 94, 96, 97, 98, 99, 100,
D12/164, 167, 169, 170, 171, 172, 173,
D12/181, 184, 185, 190, 192, 196;
D21/533, 548, 552, 561
(Continued)

(56) **References Cited**

U.S. PATENT DOCUMENTS

D307,878 S * 5/1990 Lechner D12/96
D323,134 S * 1/1992 Lechner D12/96
(Continued)

OTHER PUBLICATIONS

Western Star49X, Published date unavailable [online], [retrieved on Jul. 14, 2022]. Retrieved from the Internet: <https://www.westernstartrucks.com/trucks/49x/> (Year: 2022).*

(Continued)

Primary Examiner — Cary M Robinson

Assistant Examiner — Adam C Mager

(74) *Attorney, Agent, or Firm* — Crowell & Moring LLP

(57) **CLAIM**

The ornamental design for a truck cab, toy, and/or replicas thereof, as shown and described.

DESCRIPTION

This application contains subject matter related to the following co-pending U.S. design patent applications: application Ser. No. 29/763,256, filed herewith and entitled “RADIATOR GRILLE FOR A VEHICLE”; application Ser. No. 29/763,258, filed herewith and entitled “TRUCK CAB, TOY, AND/OR REPLICAS THEREOF”; application Ser. No. 29/763,260, filed herewith and entitled “HEADLIGHT FOR A VEHICLE”; and Application Ser. No. 29/763,262, filed herewith and entitled “HOOD FOR A VEHICLE”.

FIG. 1 is a left, front perspective view of a truck cab, toy, and/or replicas thereof according to the design;

FIG. 2 is a front view thereof;

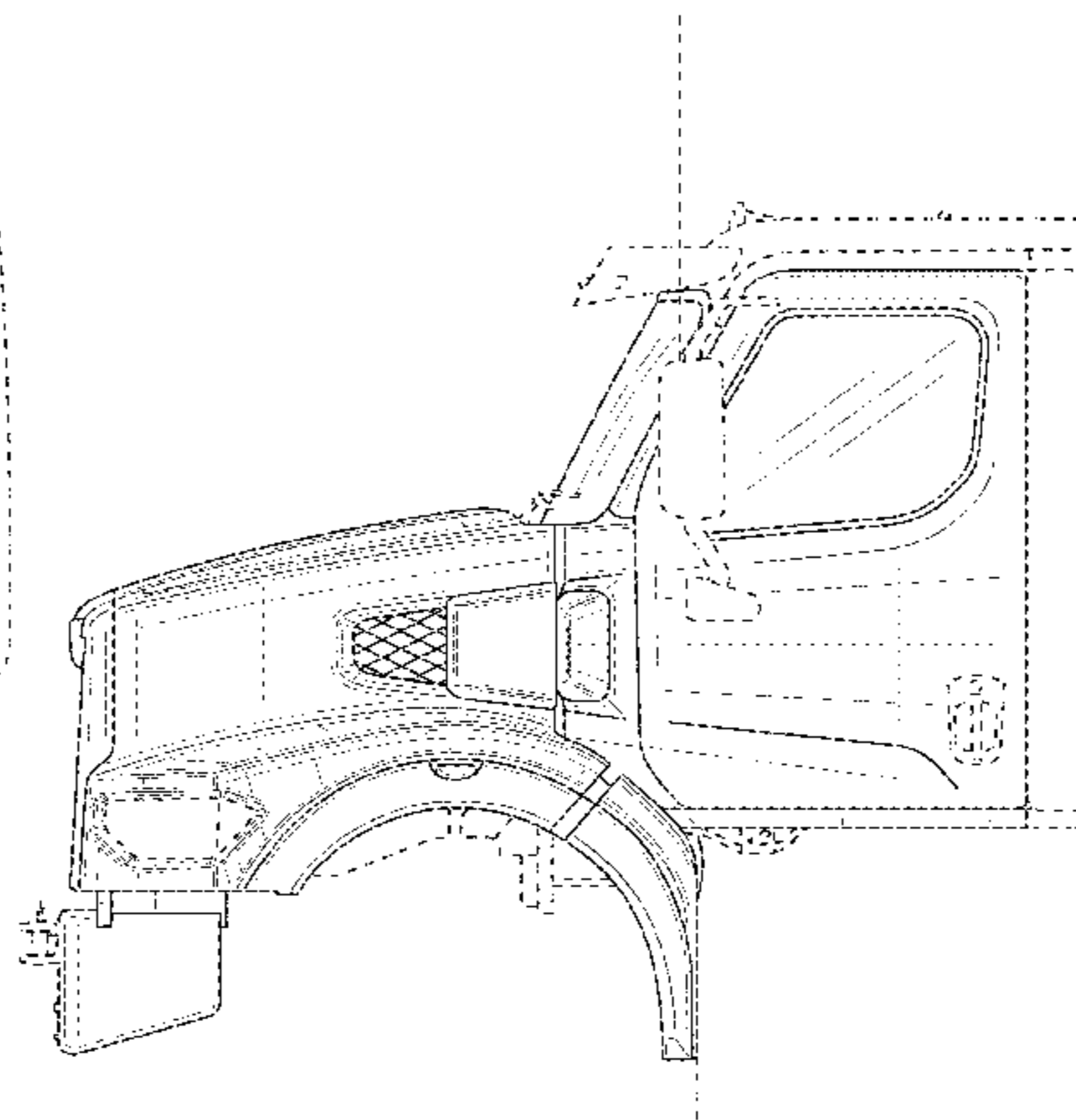
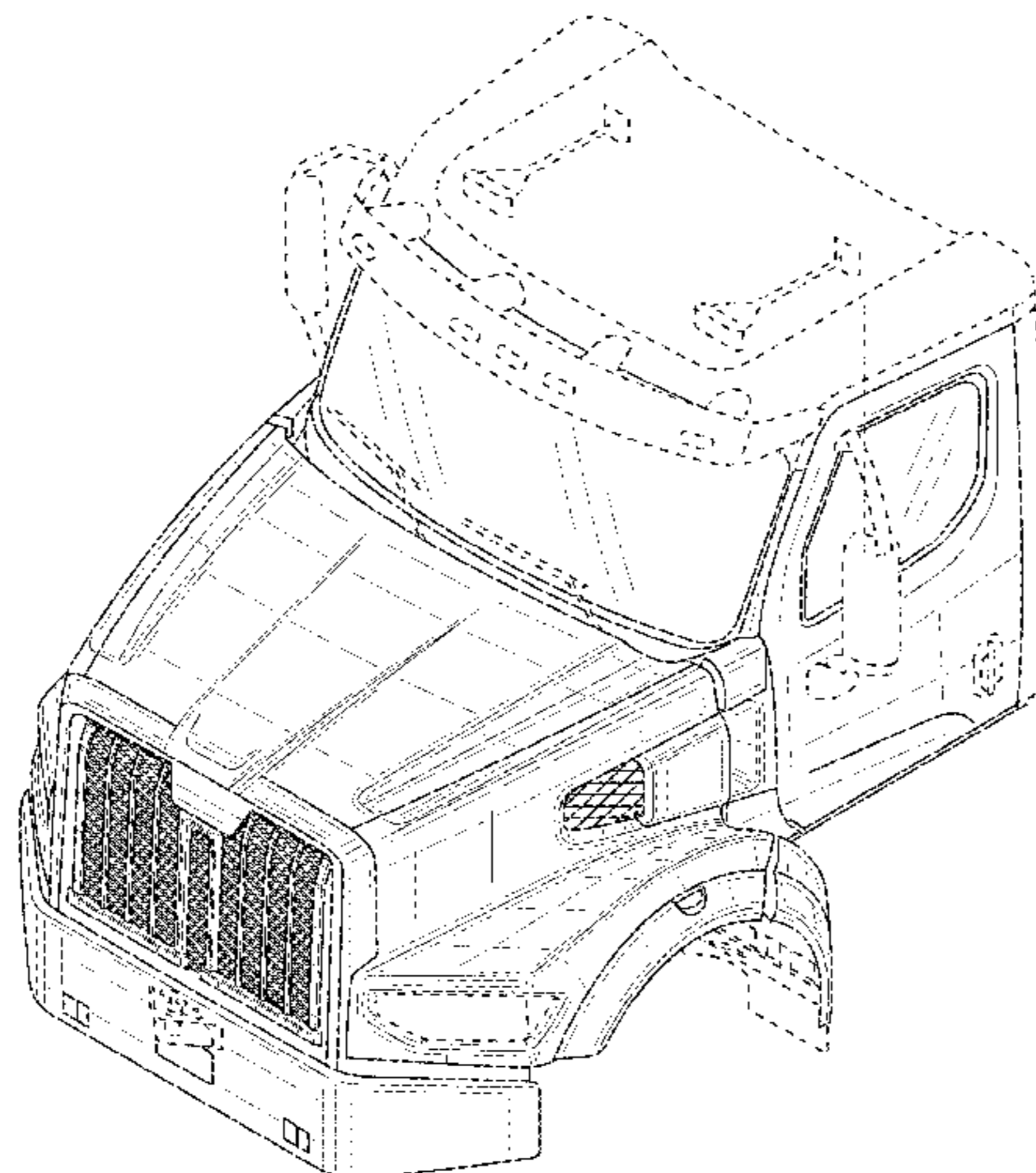
FIG. 3 is a right side view thereof;

FIG. 4 is a left side view thereof; and,

FIG. 5 is a top view thereof.

The broken lines in the drawings illustrate portions of the truck cab, toy, and/or replicas thereof in which the design is embodied and forms no part of the claimed design.

1 Claim, 5 Drawing Sheets



(58) **Field of Classification Search**

CPC B60Y 2200/10; B60Y 2200/14; B60Y 2200/22; B60Y 2200/41; B60Y 2200/90; B60Y 2200/91; B60Y 2200/112; B60Y 2200/141; B60Y 2200/142; B60Y 2200/1422; B62D 33/00; B62D 33/06; B62D 33/077; B62D 33/0604; B62D 33/0612; B62D 29/045; B62D 31/00; B62D 31/003; B62D 25/00; B62D 25/02; B62D 25/10; B62D 25/12; B62D 25/105; B62D 25/08

See application file for complete search history.

(56) **References Cited**

U.S. PATENT DOCUMENTS

D394,026 S * 5/1998 Hellhake D12/96
D406,553 S * 3/1999 Hellhake D12/96

D445,361 S * 7/2001 Tirey D12/96
D462,036 S * 8/2002 Mondragon Sarmiento .. D12/96
D466,450 S * 12/2002 Maher D12/96
D489,649 S * 5/2004 Satou D12/96
D490,749 S * 6/2004 Satou D12/96
D552,515 S * 10/2007 Prosser D12/96
D589,846 S * 4/2009 Tanaka D12/96
D645,380 S * 9/2011 Beigel D12/96
D758,253 S 6/2016 Brzustowicz et al.
D859,218 S * 9/2019 Satou D12/96

OTHER PUBLICATIONS

“Daimler Trucks präsentiert neuen Western Star-Lkw für spezielle Arbeitsgebiete in Nordamerika,” Spotlight, Daimler Truck, Daimler, Sep. 30, 2020, pp. 1-4, Daimler Truck AG, Stuttgart, Germany.

* cited by examiner

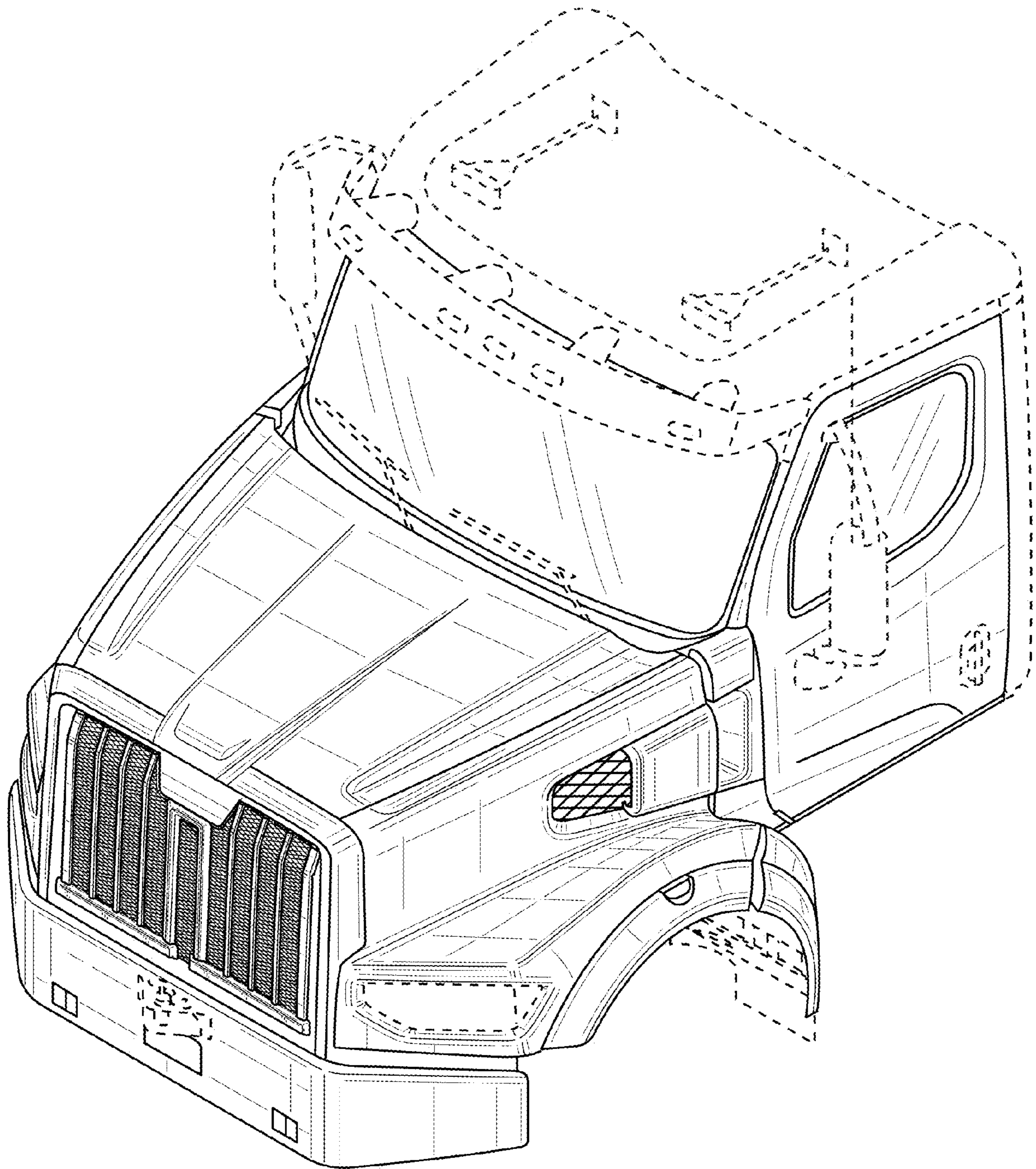
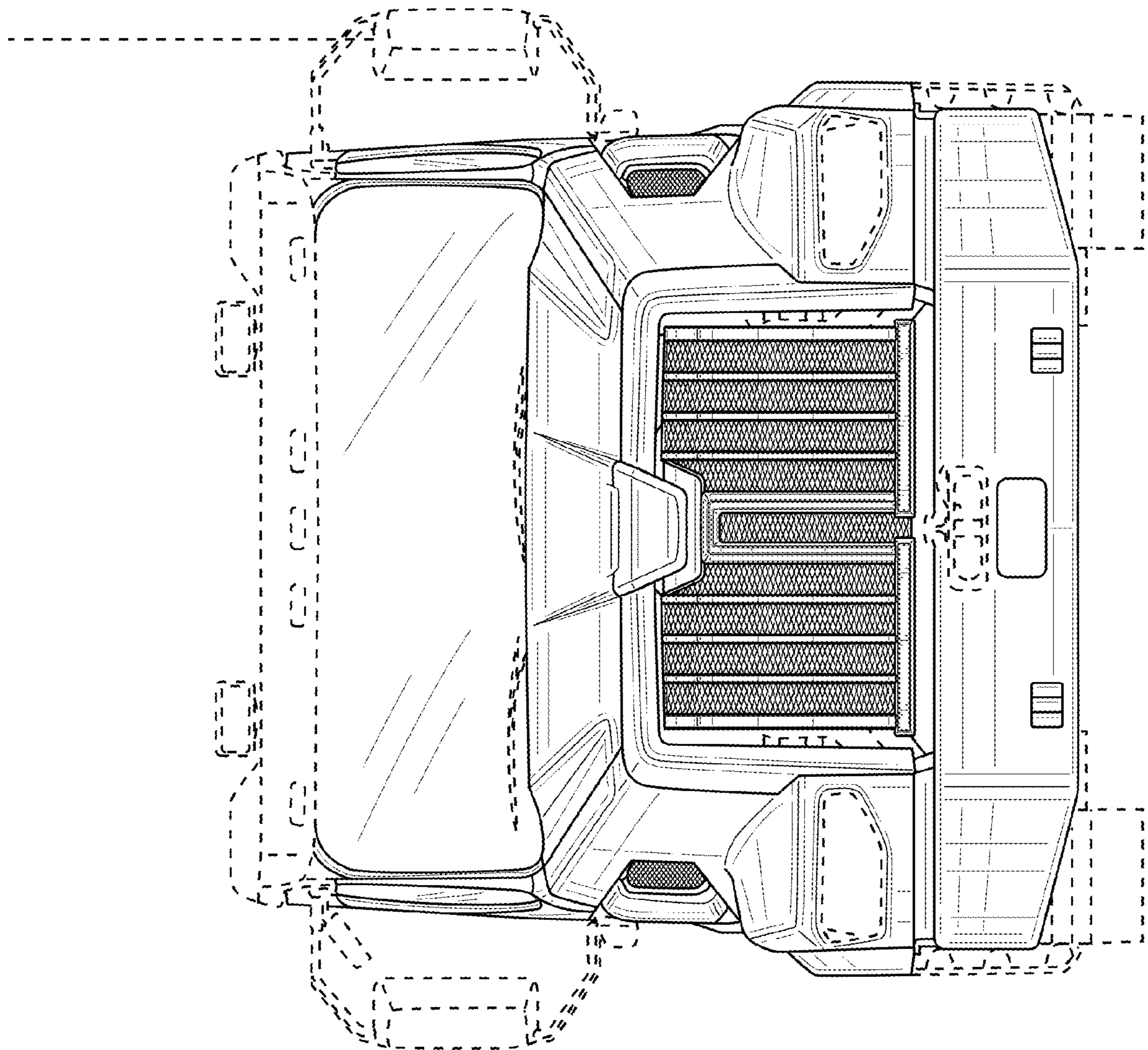


FIG. 1

FIG. 2



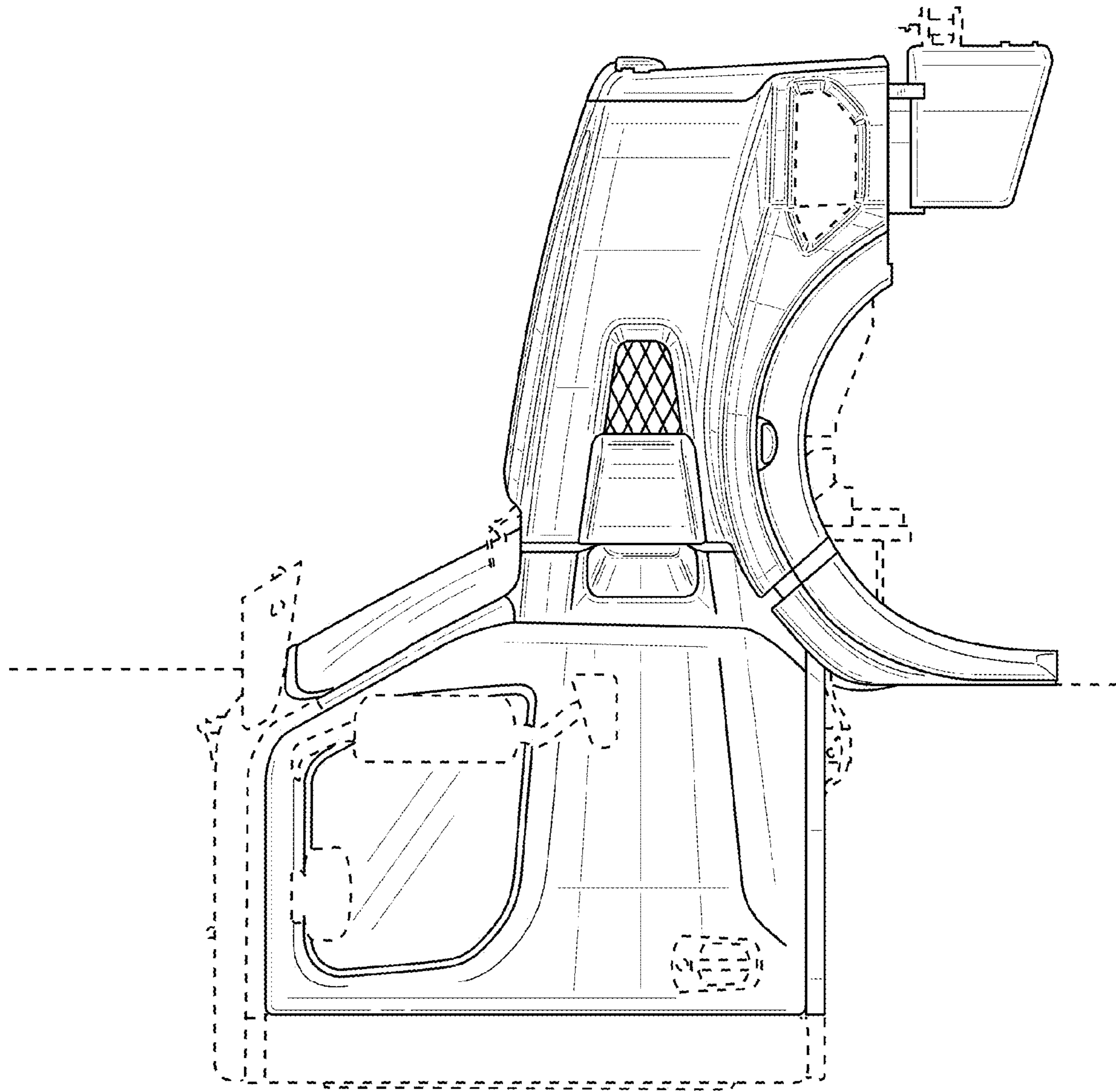


FIG. 3

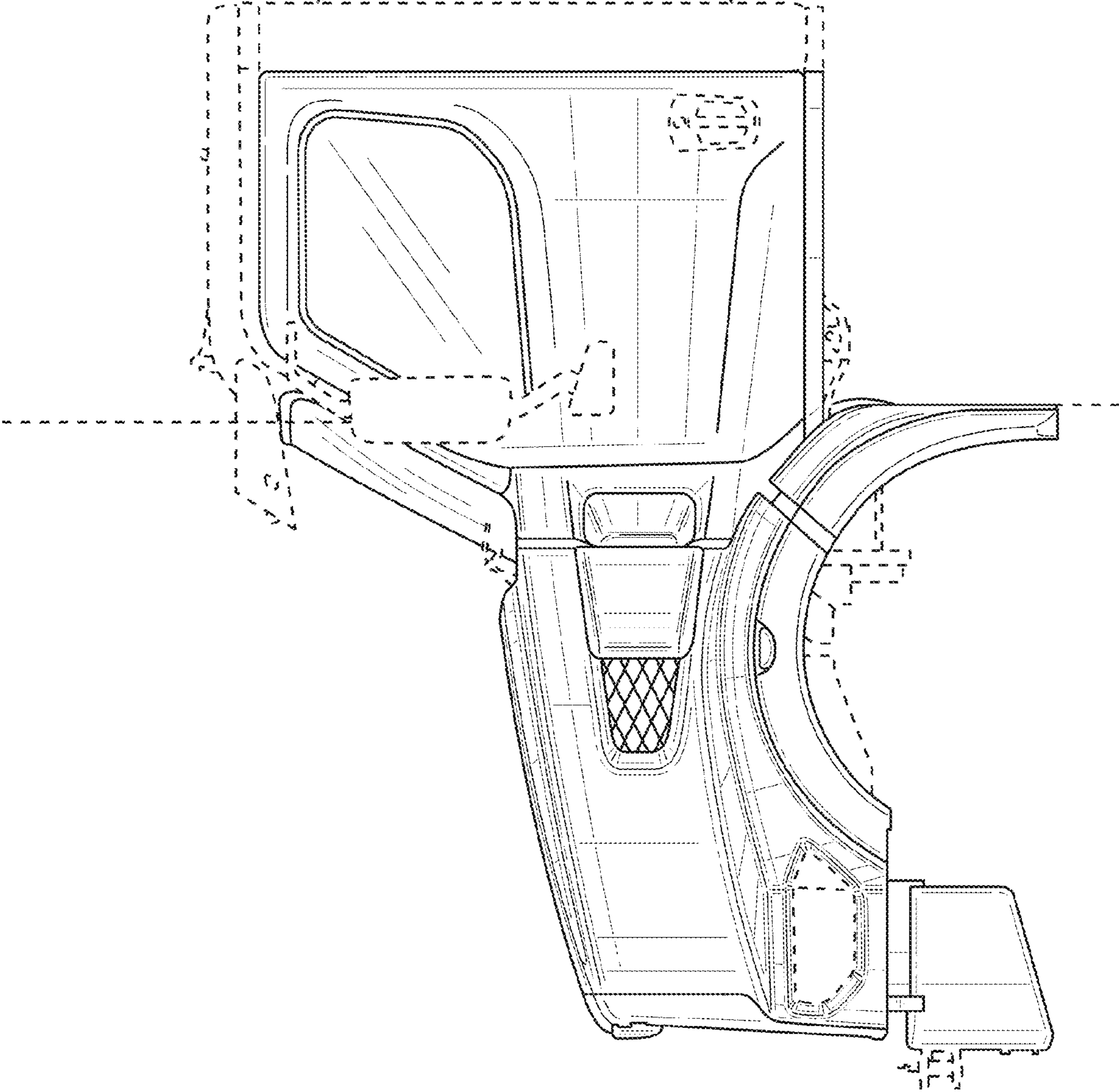


FIG. 4

FIG. 5

