

US00D971787S

(12) **United States Design Patent** (10) **Patent No.:** **US D971,787 S**  
**Badstuebner et al.** (45) **Date of Patent:** **\*\* Dec. 6, 2022**

(54) **MOTOR VEHICLE BODY, TOY REPLICA,  
AND/OR OTHER REPLICA**

(71) Applicant: **Daimler AG**, Stuttgart (DE)

(72) Inventors: **Achim-Dietrich Badstuebner**,  
Sindelfingen (DE); **Bastian Baudy**,  
Stuttgart (DE); **Robert Lesnik**,  
Leonberg (DE); **Laurent Olivier**,  
Roquefort les Pins (FR); **Anselm  
Scheil**, Tuebingen (DE); **Thomas  
Saelzle**, Kornwestheim (DE); **Gorden  
Wagener**, Wangen (DE)

(73) Assignee: **Mercedes-Benz Group AG**, Stuttgart  
(DE)

(\*\*) Term: **15 Years**

(21) Appl. No.: **29/787,670**

(22) Filed: **Jun. 8, 2021**

(30) **Foreign Application Priority Data**

Dec. 9, 2020 (DE) ..... 402020204427.3

(51) **LOC (13) Cl.** ..... **12-08**

(52) **U.S. Cl.**  
USPC ..... **D12/91**

(58) **Field of Classification Search**  
USPC ..... D12/86, 90-92, 88; D21/424, 433, 434,  
D21/533; 296/181.1-181.5, 183.1  
CPC ..... B62D 25/00; B62D 25/06; B62D 33/00;  
B62D 35/00  
See application file for complete search history.

(56) **References Cited**

**U.S. PATENT DOCUMENTS**

D608,695 S \* 1/2010 Burki ..... D12/91  
D827,497 S \* 9/2018 Frei ..... D12/91

D857,557 S \* 8/2019 Badstuebner ..... D12/92  
D859,216 S \* 9/2019 Badstuebner ..... D12/92  
D862,287 S \* 10/2019 Badstuebner ..... D12/91  
D867,212 S \* 11/2019 Badstuebner ..... D12/91  
D873,715 S \* 1/2020 Badstuebner ..... D12/91  
D873,716 S \* 1/2020 Badstuebner ..... D12/91  
D886,679 S \* 6/2020 Hellwig ..... D12/91  
D914,543 S \* 3/2021 Badstuebner ..... D12/91  
D929,900 S \* 9/2021 Badstuebner ..... D12/91  
D941,709 S \* 1/2022 Badstuebner ..... D12/92

**FOREIGN PATENT DOCUMENTS**

WO WO DM/100632 10/2020

\* cited by examiner

*Primary Examiner* — Melody N Brown

(74) *Attorney, Agent, or Firm* — Crowell & Moring LLP

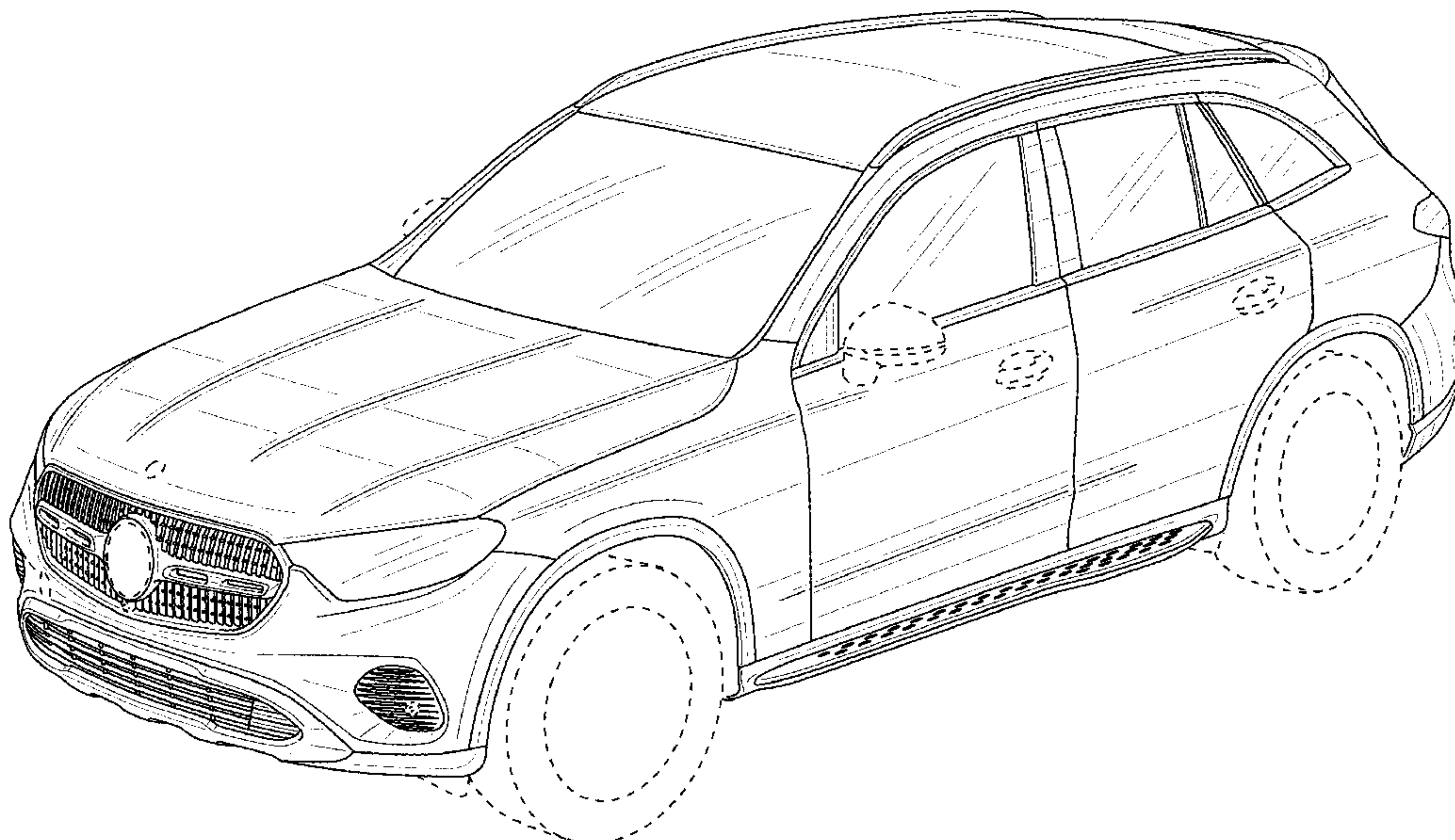
(57) **CLAIM**

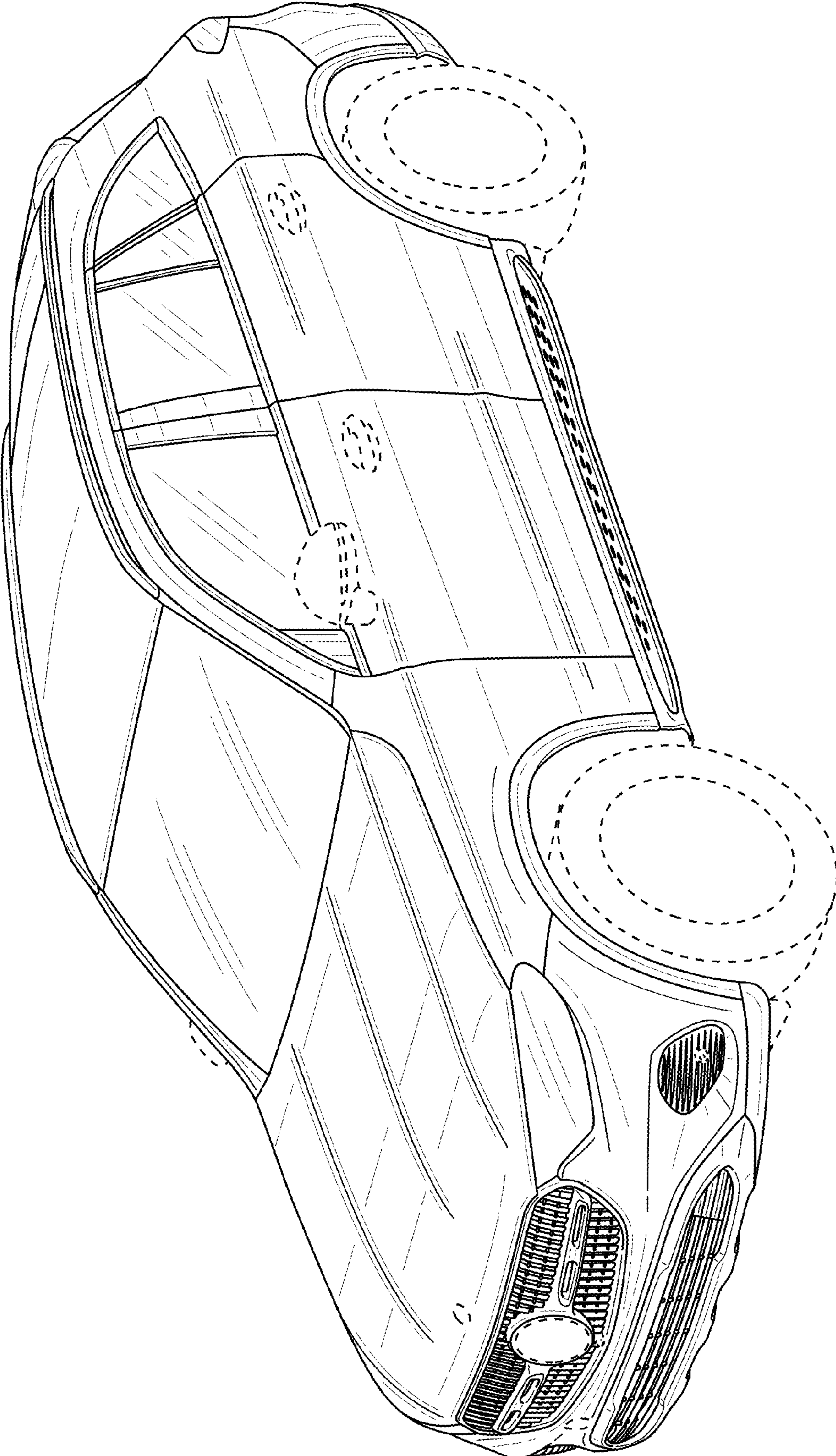
The ornamental design for a motor vehicle body, toy replica and/or other replica, as shown and described.

**DESCRIPTION**

FIG. 1 is a left, front perspective view of a motor vehicle body, toy replica and/or other replica according to the design;  
FIG. 2 is a left, rear perspective view thereof;  
FIG. 3 is a front view thereof;  
FIG. 4 is a rear view thereof;  
FIG. 5 is a left side view thereof;  
FIG. 6 is a right side view thereof; and,  
FIG. 7 is a top view thereof.  
The broken lines in the drawings illustrate environmental subject matter only and form no part of the claimed design.

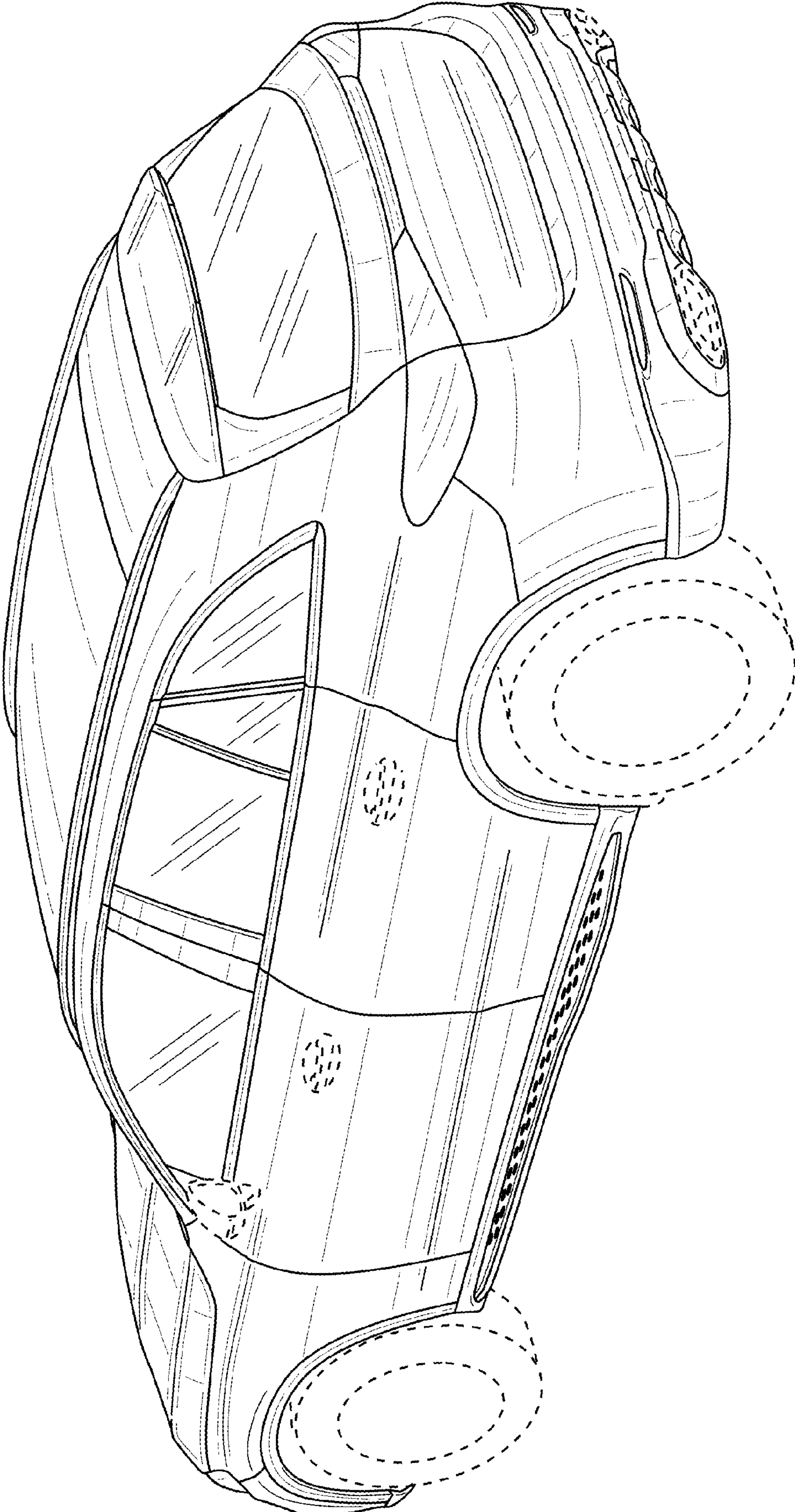
**1 Claim, 7 Drawing Sheets**



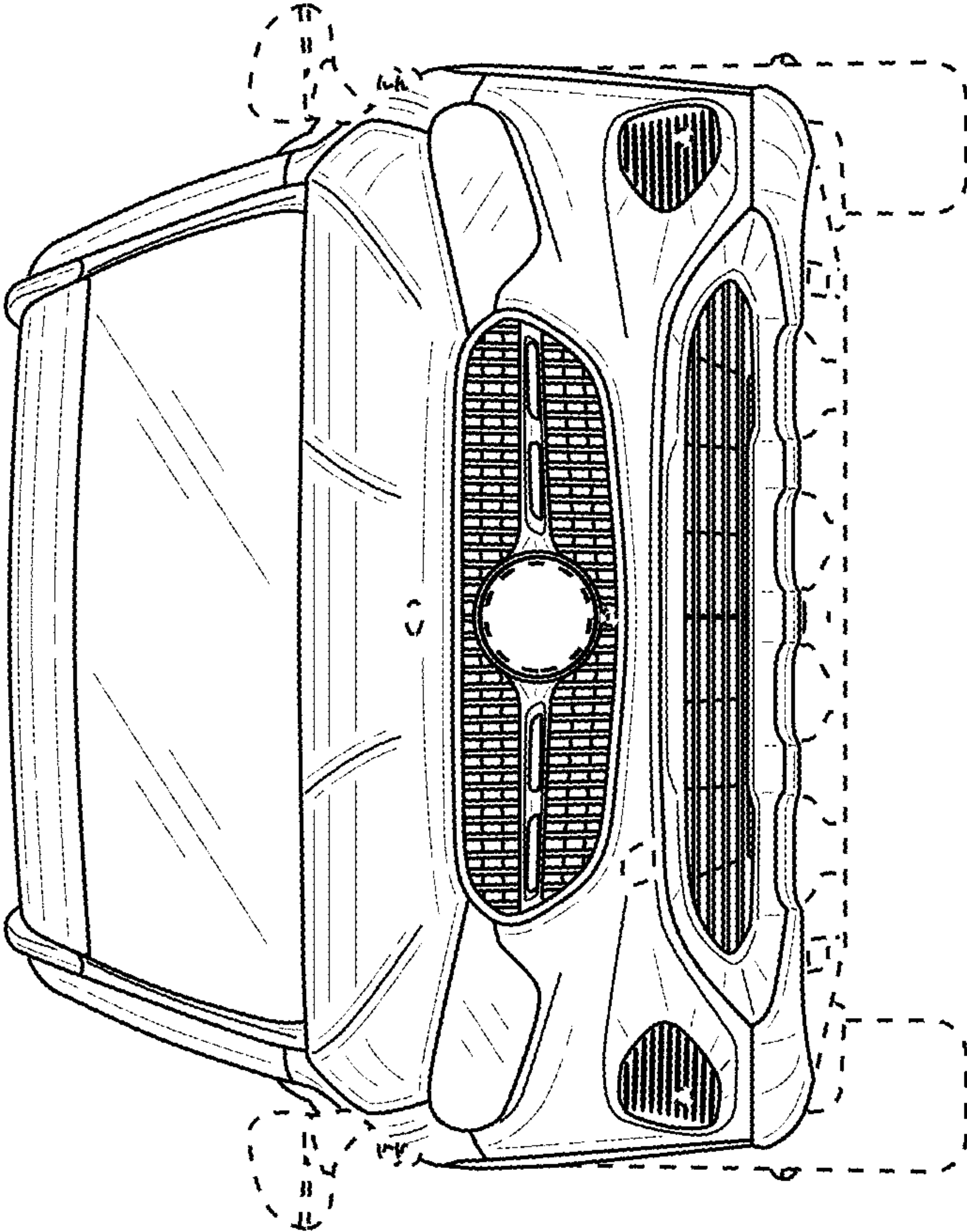


**FIG. 1**

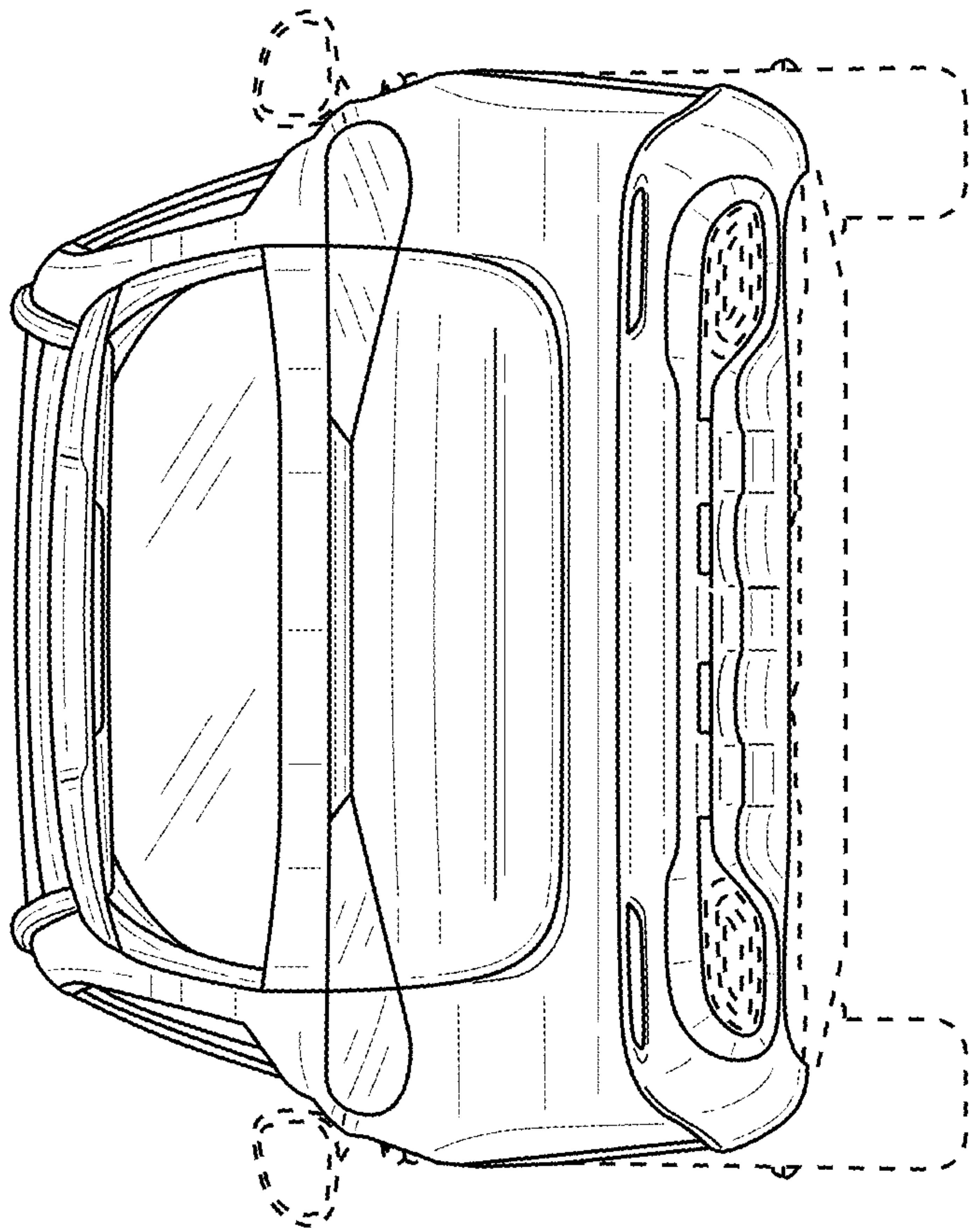




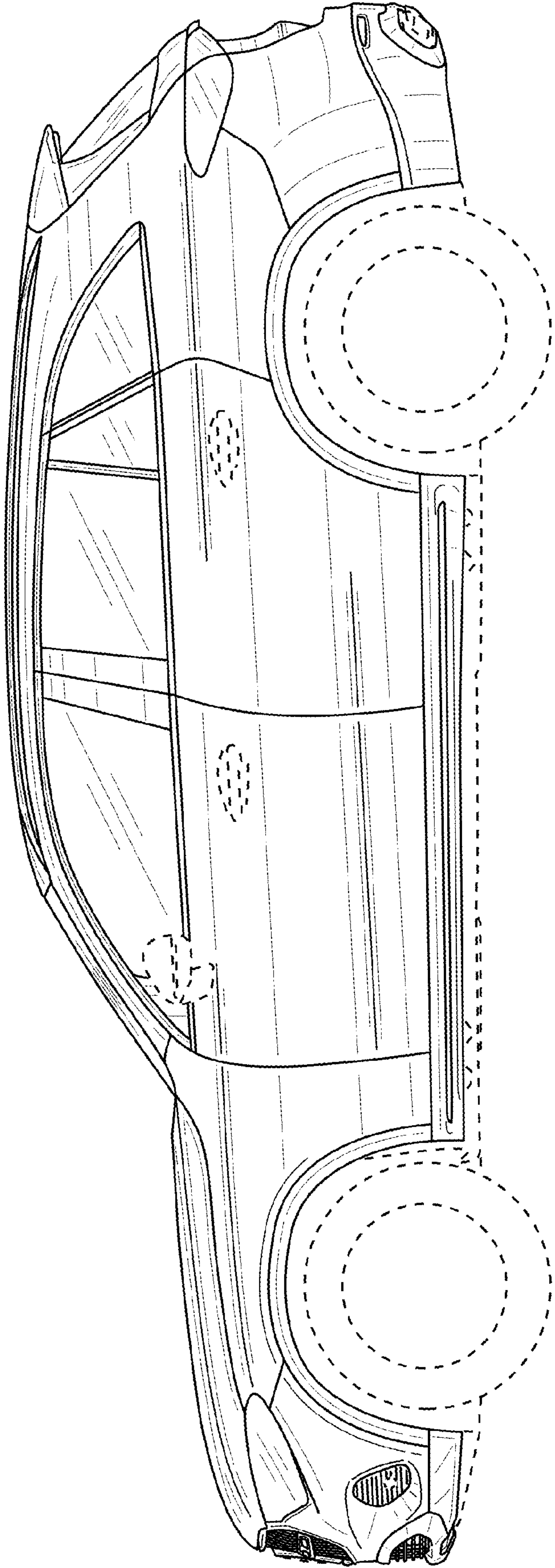
**FIG. 2**



**FIG. 3**

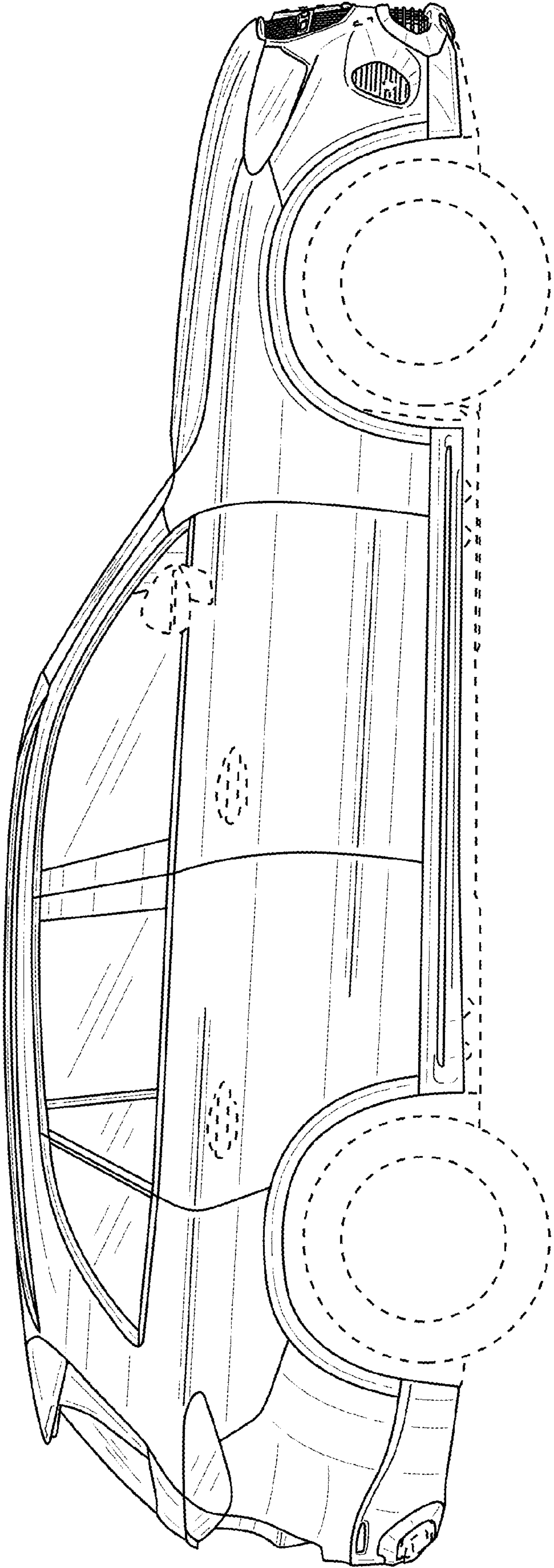


**FIG. 4**

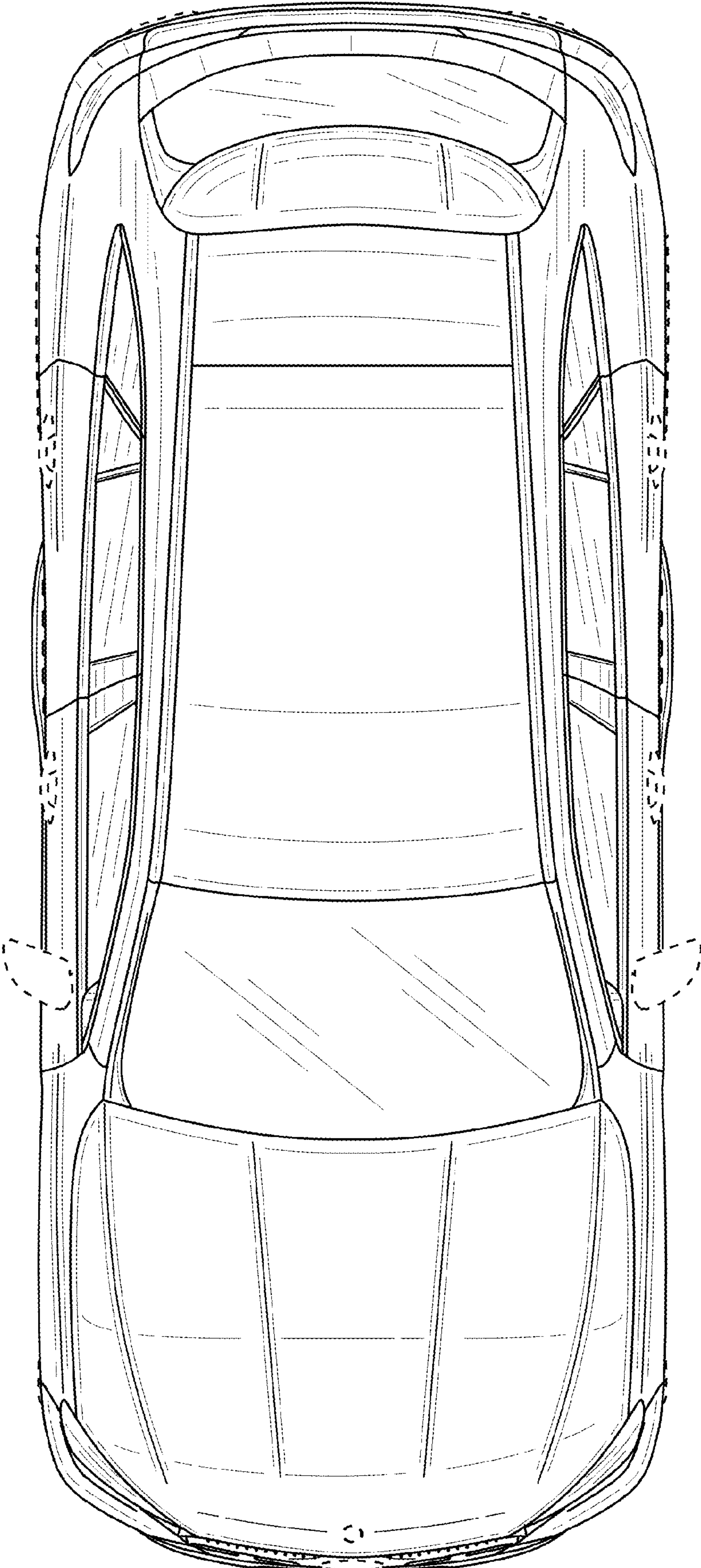


**FIG. 5**





**FIG. 6**



**FIG. 7**