



US00D971786S

(12) **United States Design Patent** (10) **Patent No.:** **US D971,786 S**  
**Nolte et al.** (45) **Date of Patent:** **\*\* Dec. 6, 2022**

(54) **OFF-ROAD VEHICLE**  
(71) Applicant: **BOMBARDIER RECREATIONAL PRODUCTS INC., Valcourt (CA)**  
(72) Inventors: **Drake Nolte, London (CA); Jean-Philippe Crepeau, Bromont (CA)**  
(73) Assignee: **BOMBARDIER RECREATIONAL PRODUCTS INC., Valcourt (CA)**

9,540,052 B2 \* 1/2017 Burt, II ..... B60J 10/80  
9,889,777 B2 \* 2/2018 Proulx ..... B60N 2/38  
9,932,073 B2 \* 4/2018 Dube ..... B60N 2/305  
D828,225 S 9/2018 Zhang et al.  
10,207,555 B2 \* 2/2019 Mailhot ..... B60R 21/13  
D852,674 S \* 7/2019 Wilcox ..... D12/87  
10,369,861 B2 \* 8/2019 Deckard ..... B60K 13/04  
10,399,435 B2 \* 9/2019 Bastien ..... B60K 15/03504  
(Continued)

(\*\*) Term: **15 Years**  
(21) Appl. No.: **29/841,386**  
(22) Filed: **Jun. 6, 2022**

**Related U.S. Application Data**

(62) Division of application No. 29/704,901, filed on Sep. 9, 2019, now Pat. No. Des. 957,290.  
(51) **LOC (13) Cl.** ..... **12-08**  
(52) **U.S. Cl.**  
USPC ..... **D12/87**  
(58) **Field of Classification Search**  
USPC ..... D12/3, 4, 5, 14, 85, 86, 87, 107, 110  
CPC ... B62D 1/04; B62D 1/18; B62D 3/12; B62D  
5/0403; B62D 21/11; B62D 23/005;  
B60G 3/20; B60N 2/015; B60R 21/13  
See application file for complete search history.

(56) **References Cited**

**U.S. PATENT DOCUMENTS**

D555,036 S \* 11/2007 Eck ..... D12/87  
D622,631 S \* 8/2010 Lai ..... D12/87  
D642,493 S \* 8/2011 Goebert ..... D12/87  
D650,311 S \* 12/2011 Bracy ..... D12/87  
D703,102 S \* 4/2014 Eck ..... D12/87  
8,944,449 B2 \* 2/2015 Hurd ..... B62D 21/183  
280/124.152  
D735,077 S \* 7/2015 Sato ..... D12/87  
D737,724 S \* 9/2015 Schroeder ..... D12/87  
D756,845 S \* 5/2016 Flores ..... D12/87

**OTHER PUBLICATIONS**

“Defender Pro DPS.” Can-Am., Jul. 19, 2021 [online], [retrieved on Jul. 12, 2022]. Retrieved from the Internet <URL: <https://can-am.brp.com/off-road/us/en/models/side-by-side-vehicles/defender.html#pro-dps>>.\*

(Continued)

*Primary Examiner* — Darlington Ly  
(74) *Attorney, Agent, or Firm* — BCF LLP

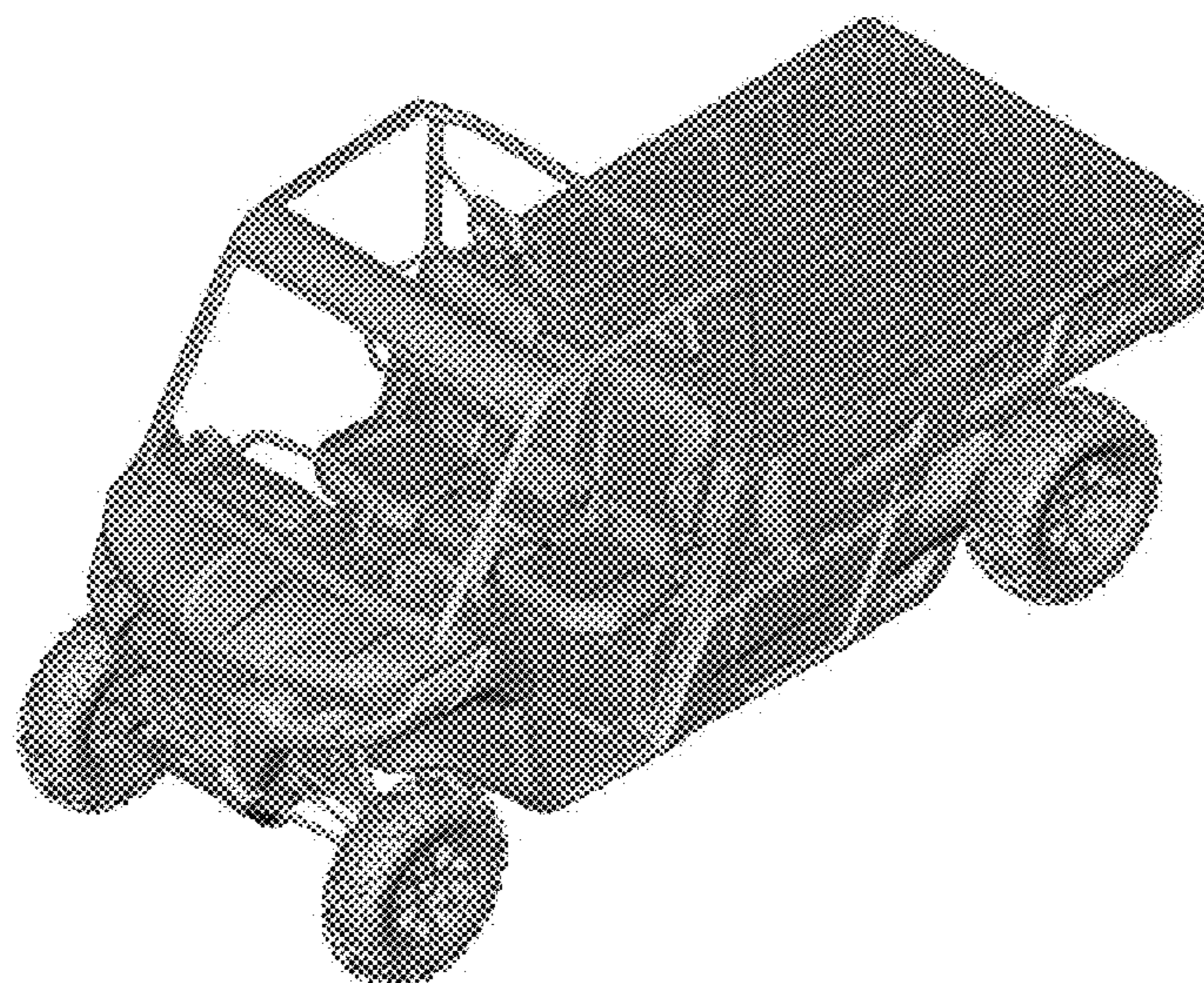
(57) **CLAIM**

The ornamental design for an off-road vehicle, as shown and described.

**DESCRIPTION**

FIG. 1 is a perspective view taken from a front, left side of an off-road vehicle according to our design;  
FIG. 2 is a perspective view taken from a front, right side thereof;  
FIG. 3 is a perspective view taken from a rear, left side thereof;  
FIG. 4 is a perspective view taken from a rear, right side thereof;  
FIG. 5 is a front elevation view thereof;  
FIG. 6 is a rear elevation view thereof;  
FIG. 7 is a left side elevation view thereof;  
FIG. 8 is a right side elevation view thereof;  
FIG. 9 is a top plan view thereof; and,  
FIG. 10 is a bottom plan view thereof.

**1 Claim, 10 Drawing Sheets**



(56)

**References Cited**

U.S. PATENT DOCUMENTS

10,479,422 B2 \* 11/2019 Hollman ..... B62D 29/00  
D879,663 S \* 3/2020 Barlow, Jr. .... D12/87  
10,607,091 B2 \* 3/2020 Kawamoto ..... B60R 1/00  
10,655,574 B2 \* 5/2020 Hamada ..... F02M 35/10288  
D904,931 S \* 12/2020 Lai ..... D12/87

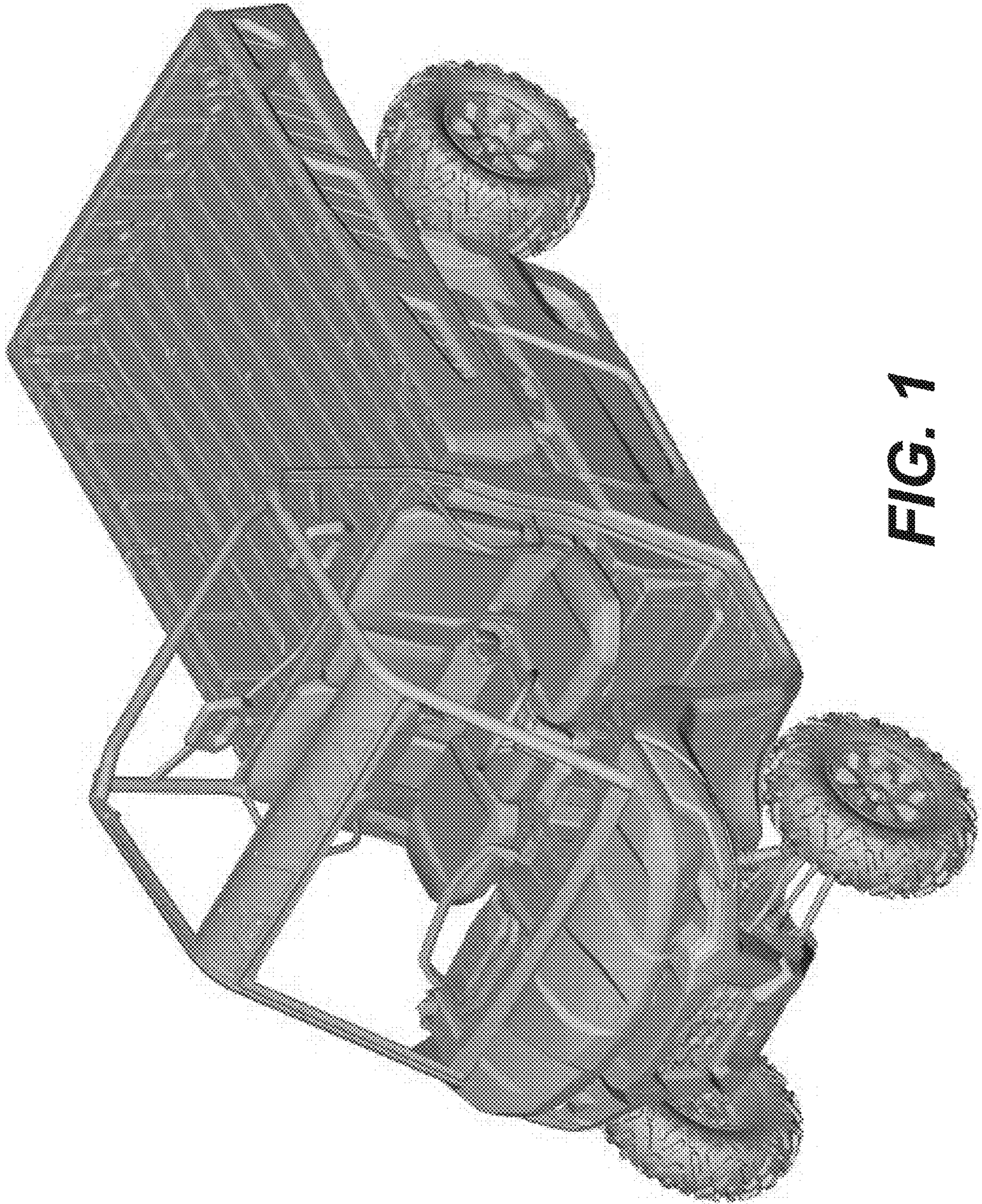
OTHER PUBLICATIONS

“Polaris Ranger 2022.” Polaris Off Road., Oct. 18, 2021 [online],  
[retrieved on Jul. 12, 2022]. Retrieved from the Internet <URL:  
<https://offroad.polaris.com/en-us/catalogs/>>.\*

Grant Decision issued from the ROSPATENT dated Sep. 14, 2020  
in connection with the related application No. 2020500201 and  
including the nearest prior art.

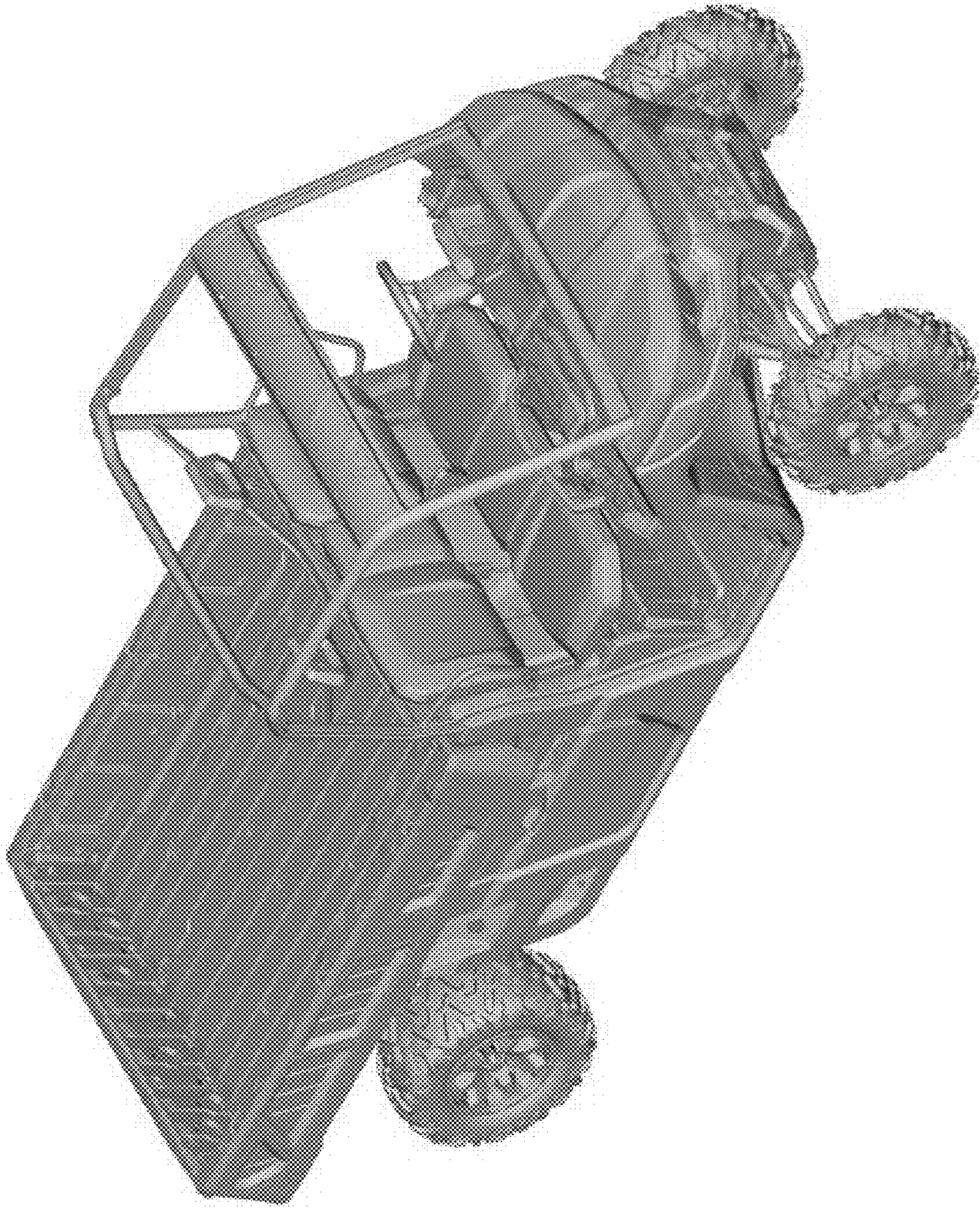
\* cited by examiner





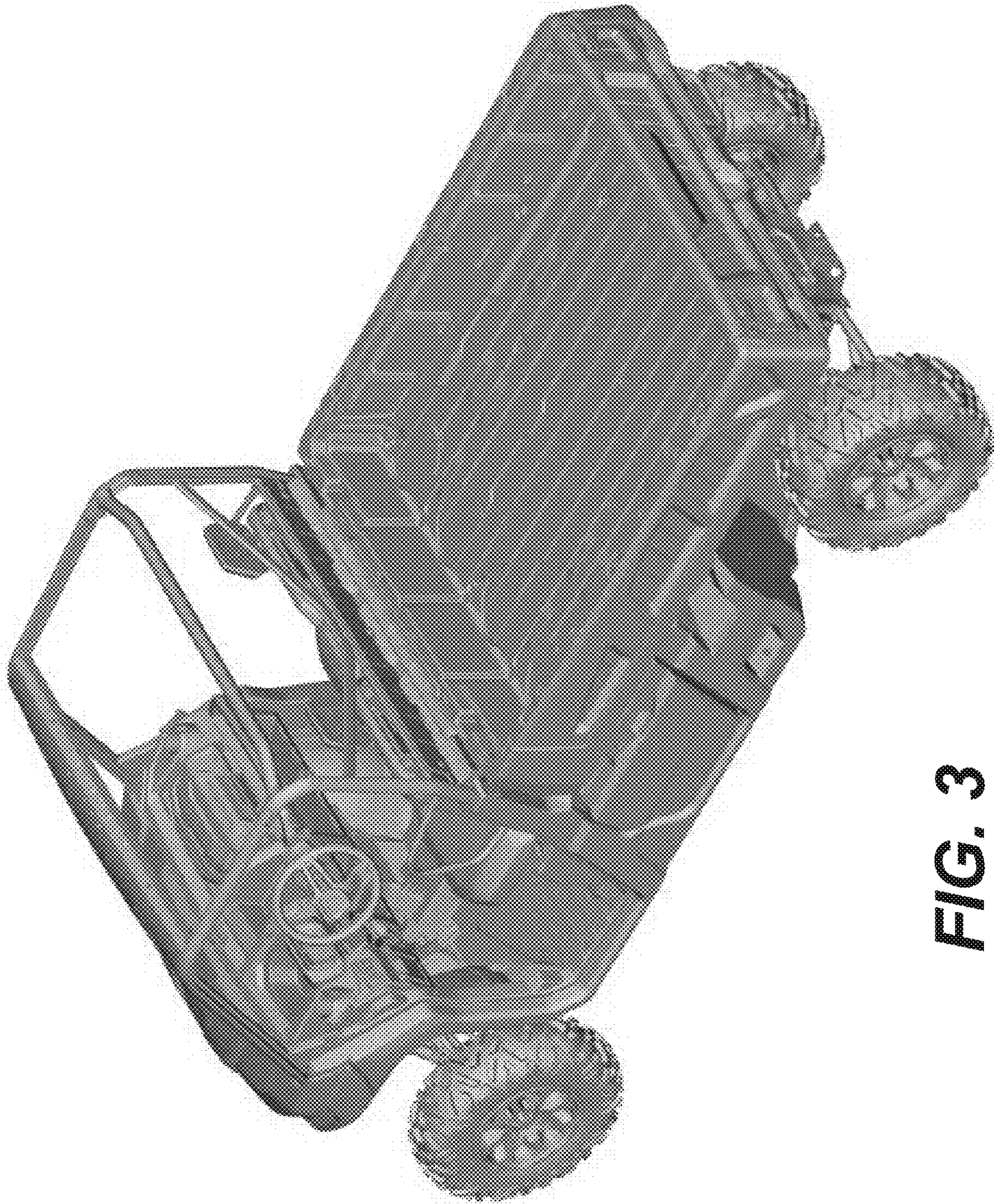
**FIG. 1**





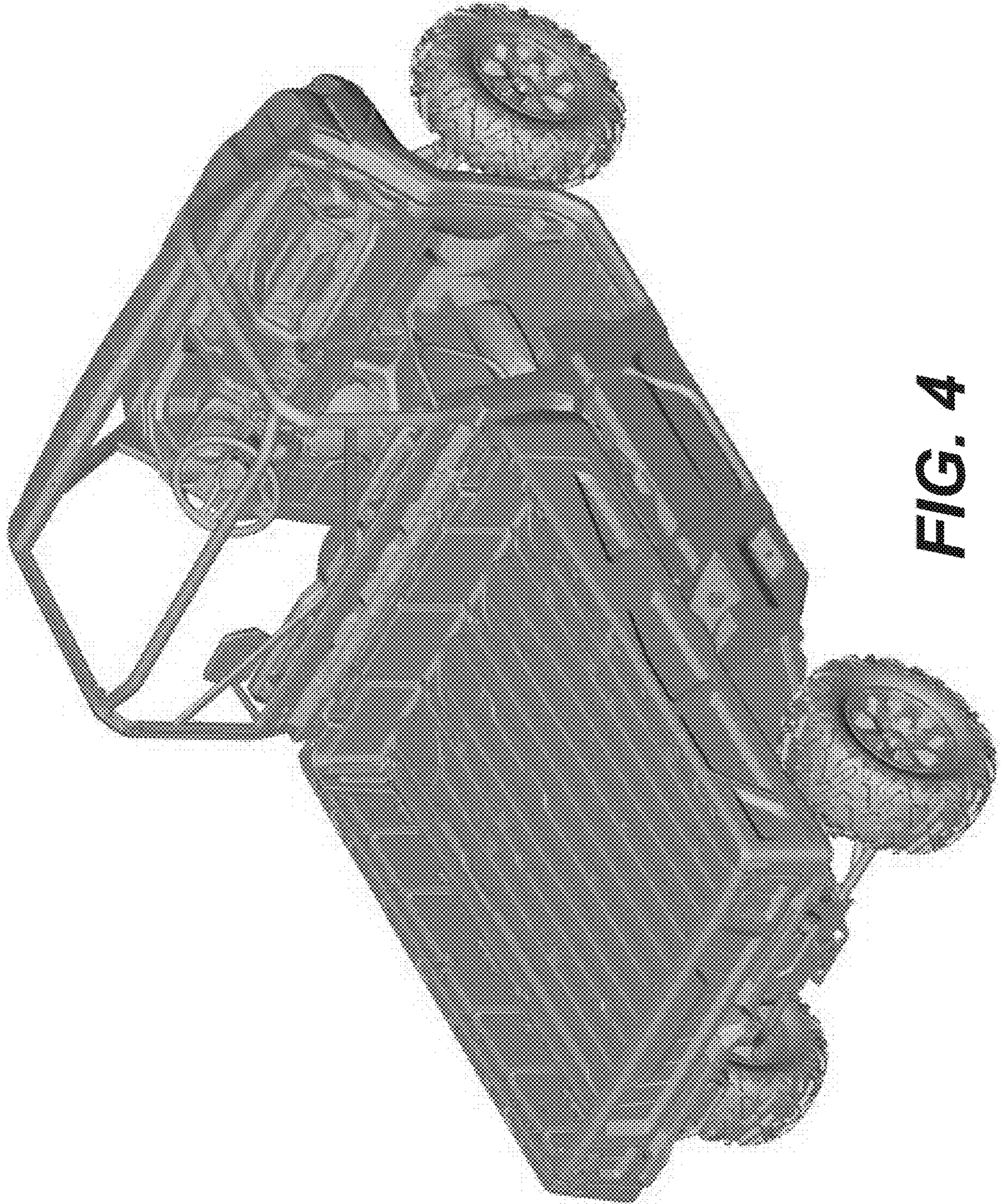
**FIG. 2**





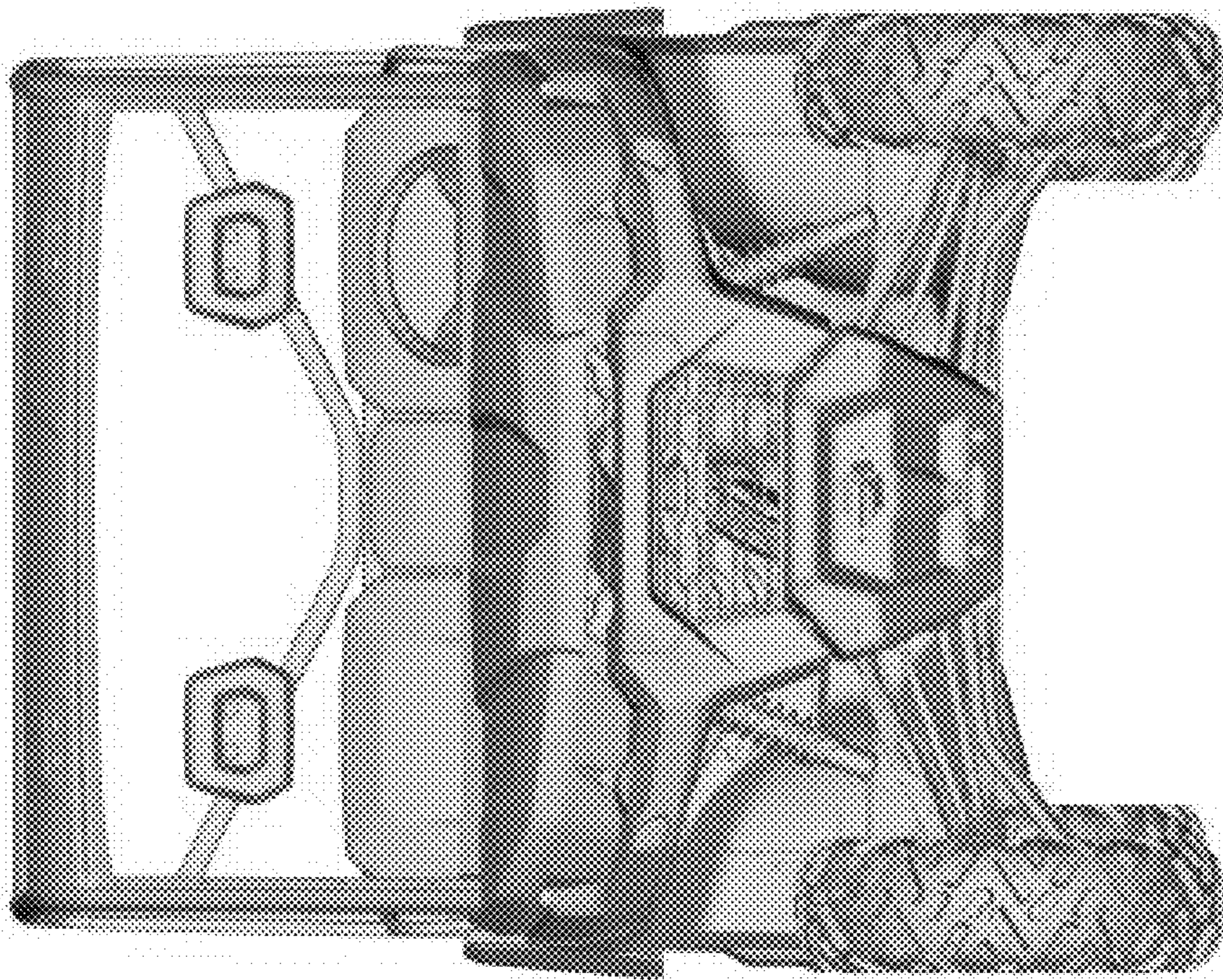
**FIG. 3**





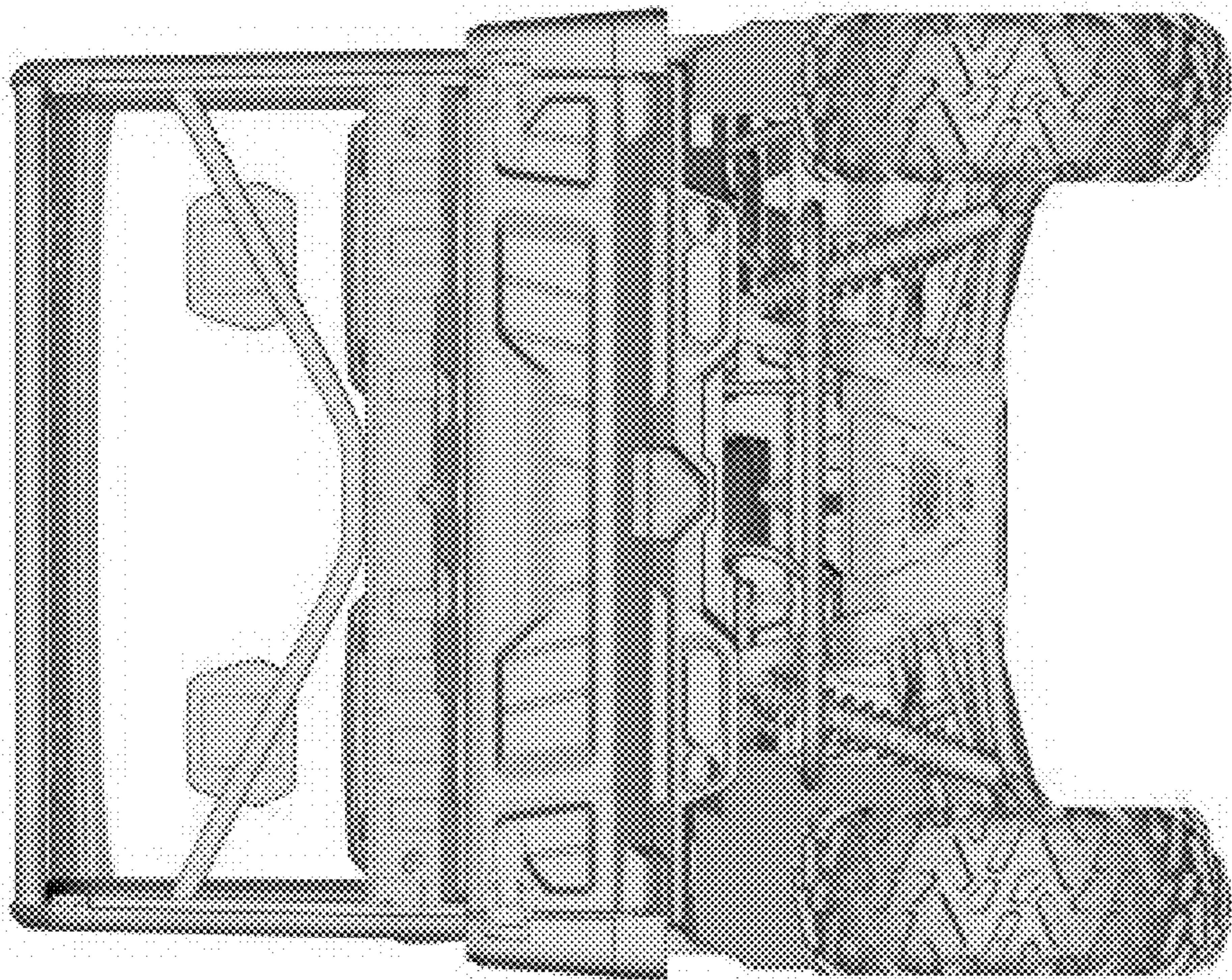
**FIG. 4**





**FIG. 5**





**FIG. 6**



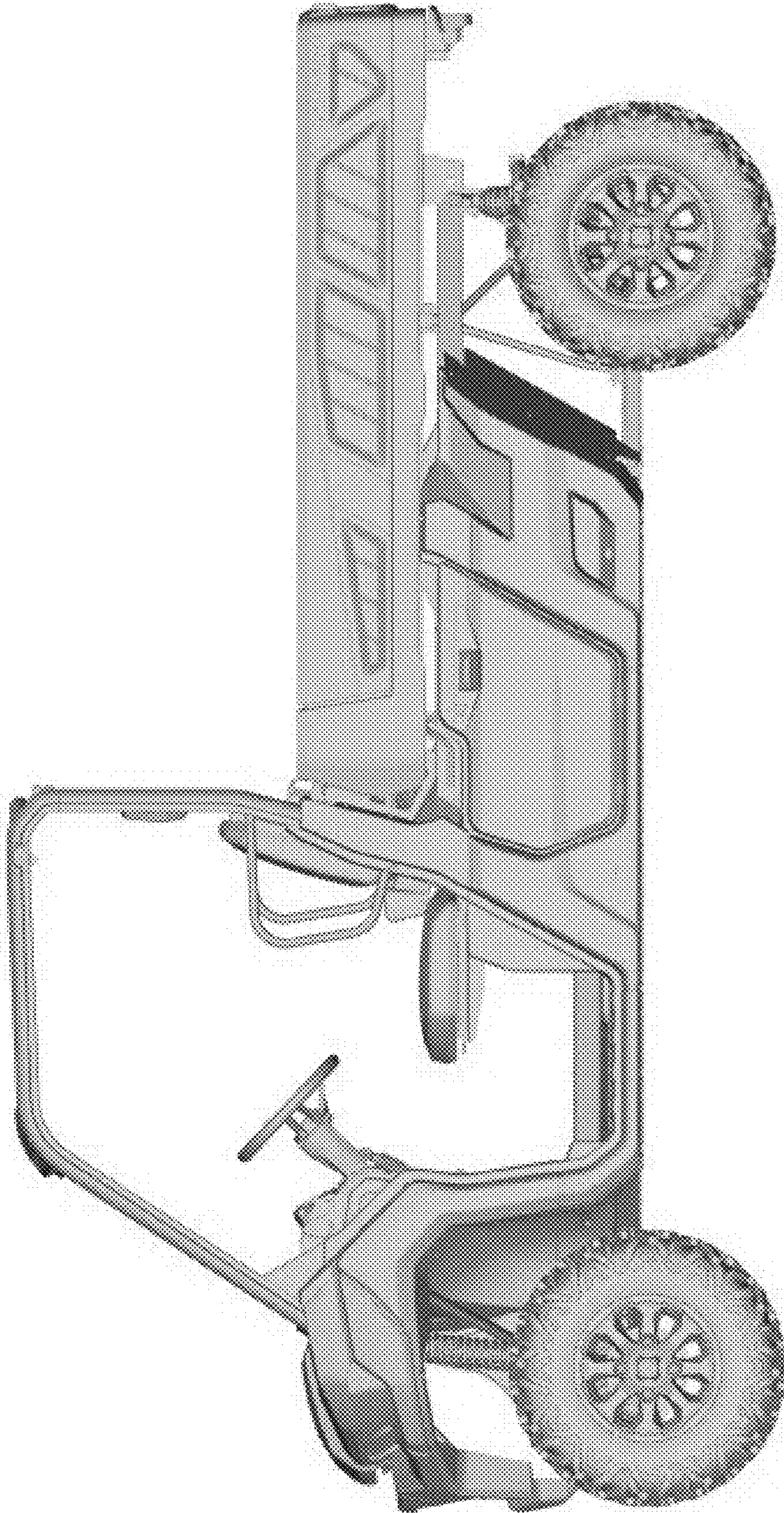


FIG. 7



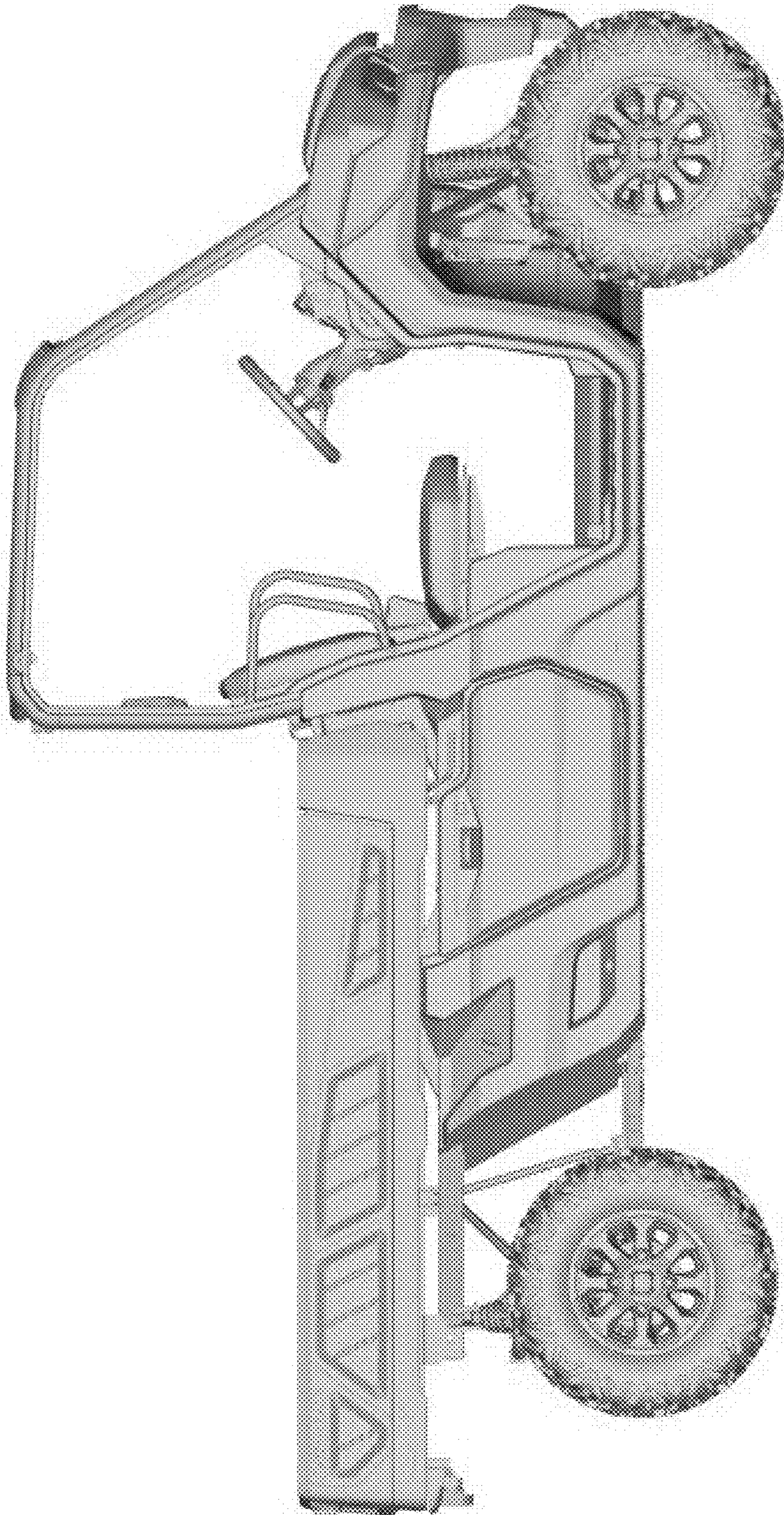
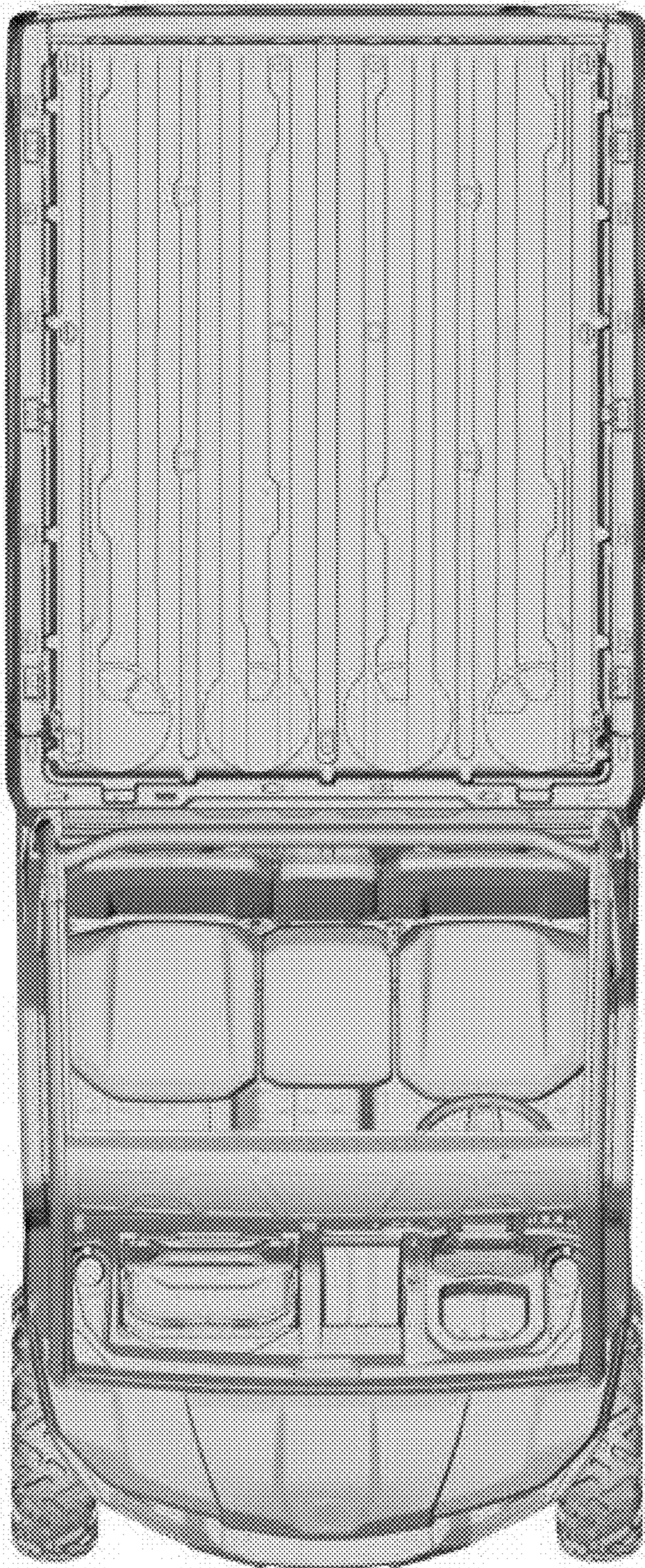


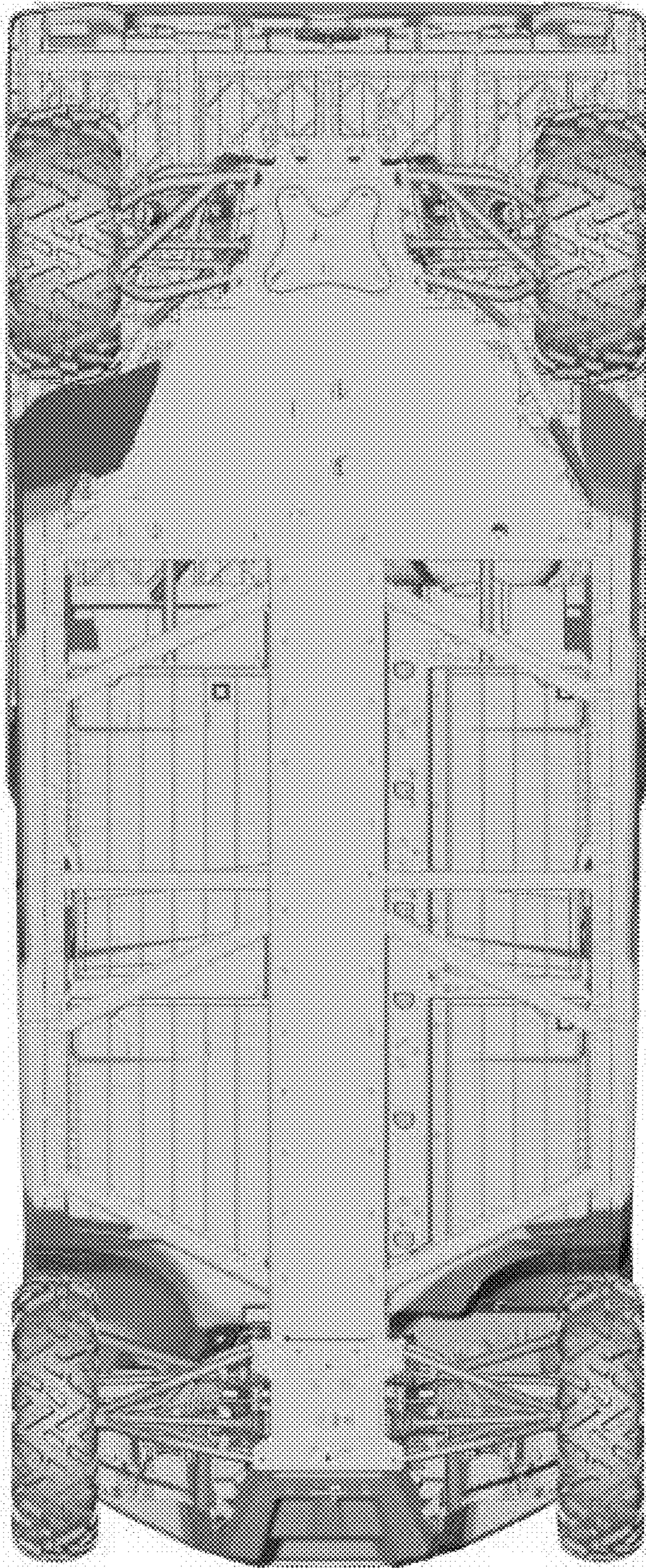
FIG. 8





**FIG. 9**





**FIG. 10**