



US00D971784S

(12) **United States Design Patent** (10) **Patent No.:** **US D971,784 S**
Majetic (45) **Date of Patent:** **** Dec. 6, 2022**

(54) **REMOTELY OPERATED VEHICLE**
(71) Applicant: **DOK-ING d.o.o.**, Zagreb (HR)
(72) Inventor: **Vjekoslav Majetic**, Zagreb (HR)
(**) Term: **15 Years**
(21) Appl. No.: **35/512,325**
(22) Filed: **Apr. 26, 2021**

D308,187 S * 5/1990 Ottevaere D12/12
D465,435 S * 11/2002 Legueu D12/12
D661,224 S * 6/2012 Allaire D12/12
D785,680 S * 5/2017 Dipino D15/23
D803,759 S * 11/2017 Habeger D12/308
D946,467 S * 3/2022 Väarsi D12/12
D951,138 S * 5/2022 Kernan D12/12
D954,598 S * 6/2022 Kernan D12/12
2011/0111651 A1 * 5/2011 Lee B60F 3/0061
440/12.63
2015/0126083 A1 * 5/2015 Baus B60F 3/003
440/12.5

(80) **Hague Agreement Data**
Int. Filing Date: **Apr. 26, 2021**
Int. Reg. No.: **DM/215566**
Int. Reg. Date: **Apr. 26, 2021**
Int. Reg. Pub. Date: **Aug. 6, 2021**
(51) **LOC (13) Cl.** **13-13**
(52) **U.S. Cl.**
USPC **D12/12**
CPC **B60F 3/003** (2013.01)
(58) **Field of Classification Search**
USPC D12/1, 12, 93
CPC B60F 3/003; B60F 3/0061; F41H 7/044;
F41H 7/02; F41H 7/048; F16M 11/32;
F16M 2200/025
See application file for complete search history.

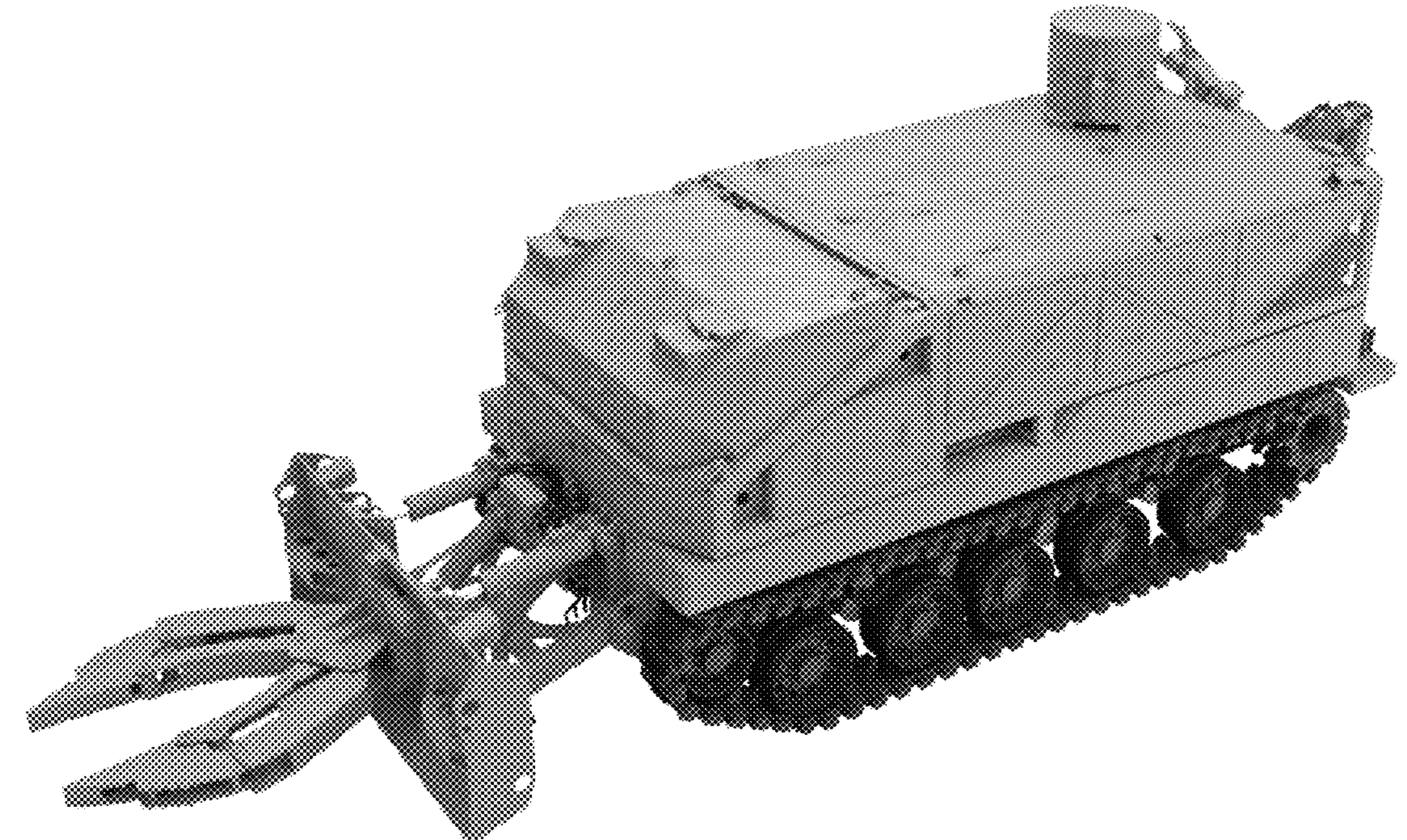
(56) **References Cited**
U.S. PATENT DOCUMENTS
3,595,332 A * 7/1971 Sanstrom B62D 11/02
180/6.7
D245,000 S * 7/1977 Longeau D12/12
D245,156 S * 7/1977 Longeau D12/12
D269,418 S * 6/1983 Appelblatt D12/12

OTHER PUBLICATIONS
Dok-Ing MV4 Mine Clearance System (Year: 2011).*
Dok-Ing MVF-5 U (Year: 2017).*
* cited by examiner
Primary Examiner — Richard E Chilcot

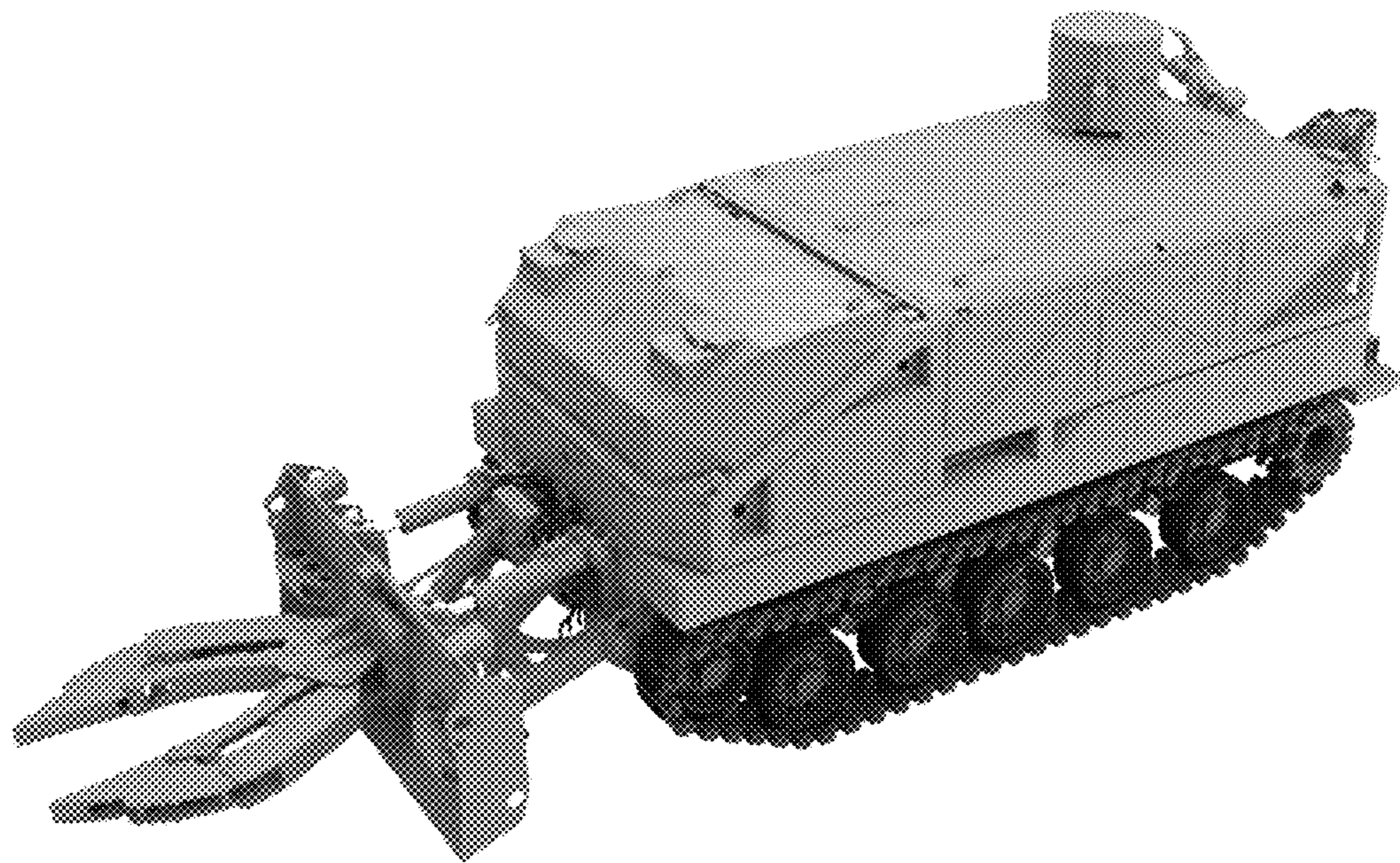
(57) **CLAIM**
The ornamental design for a remotely operated vehicle, as shown and described.

DESCRIPTION
1. Remotely operated vehicle
1.1 is a top perspective view of a remotely operated vehicle showing our new design.
1.2 is a right side view thereof;
1.3 is a top view thereof;
1.4 4 is an enlarged front view thereof;
1.5 is a right rear perspective view thereof; and,
Left side view is omitted as to being a mirror image of the right side.

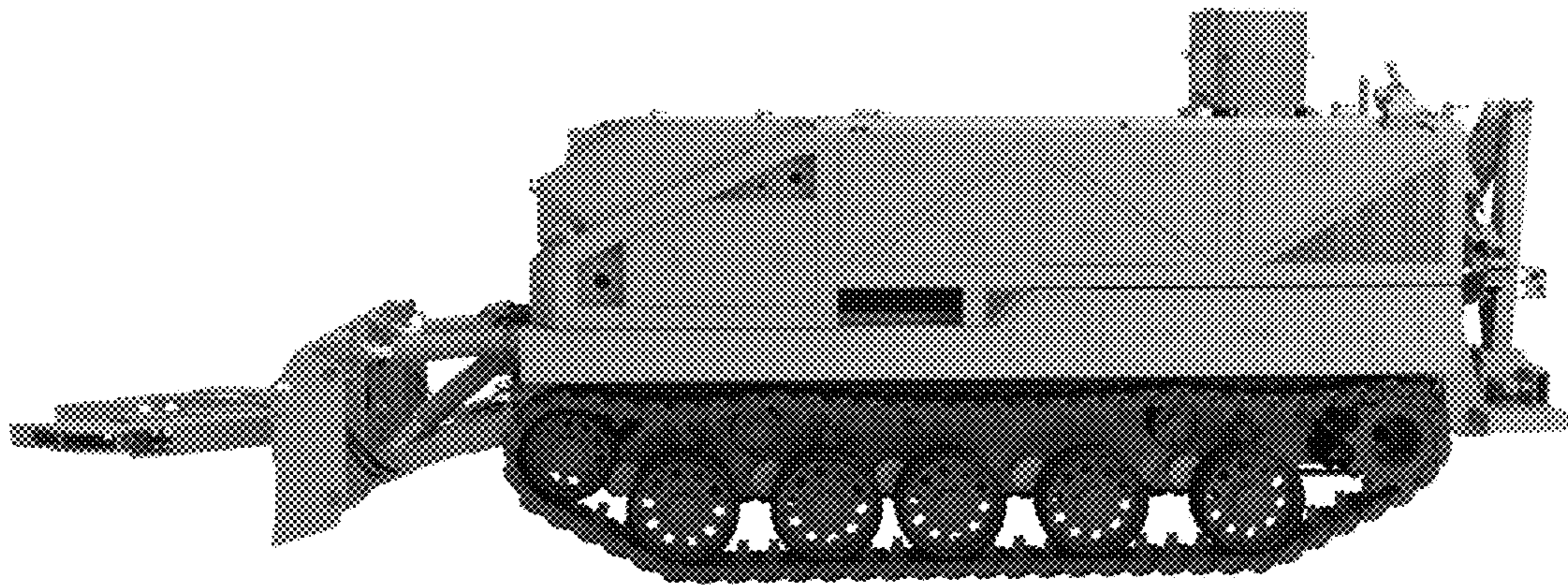
1 Claim, 5 Drawing Sheets



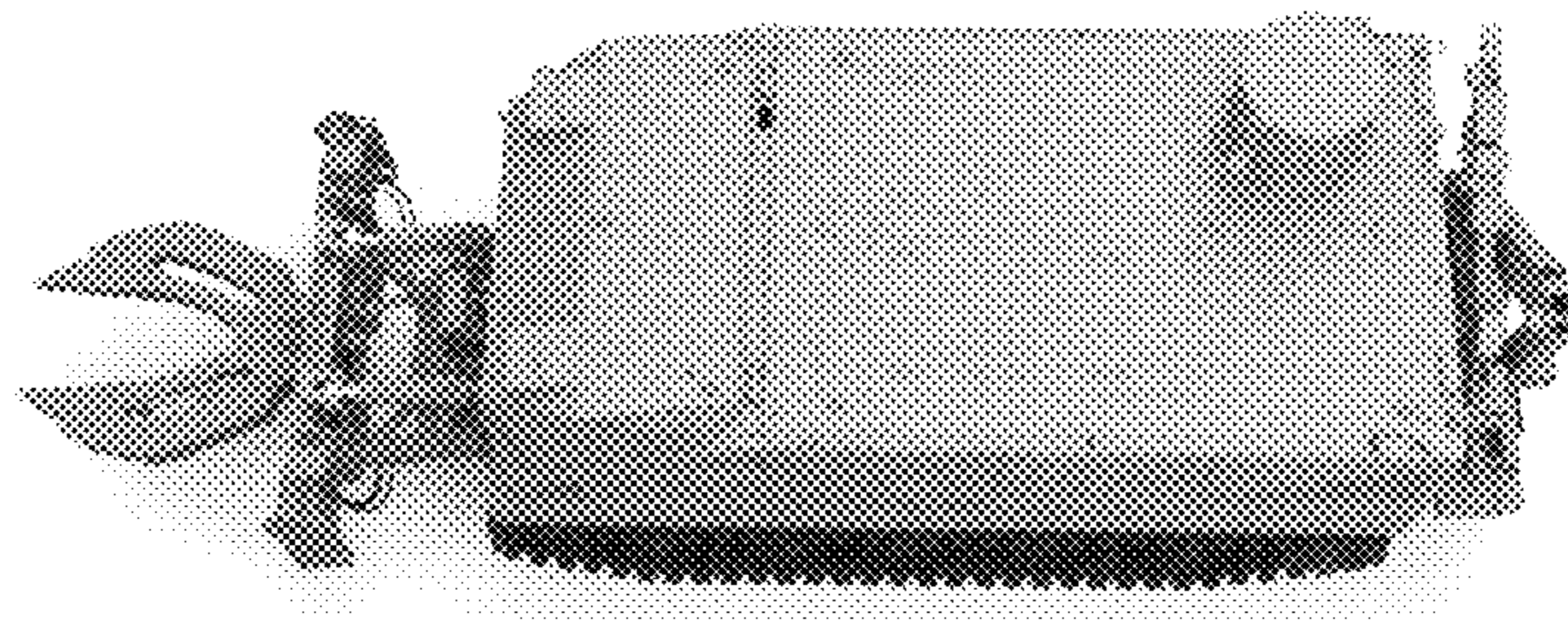
1.1



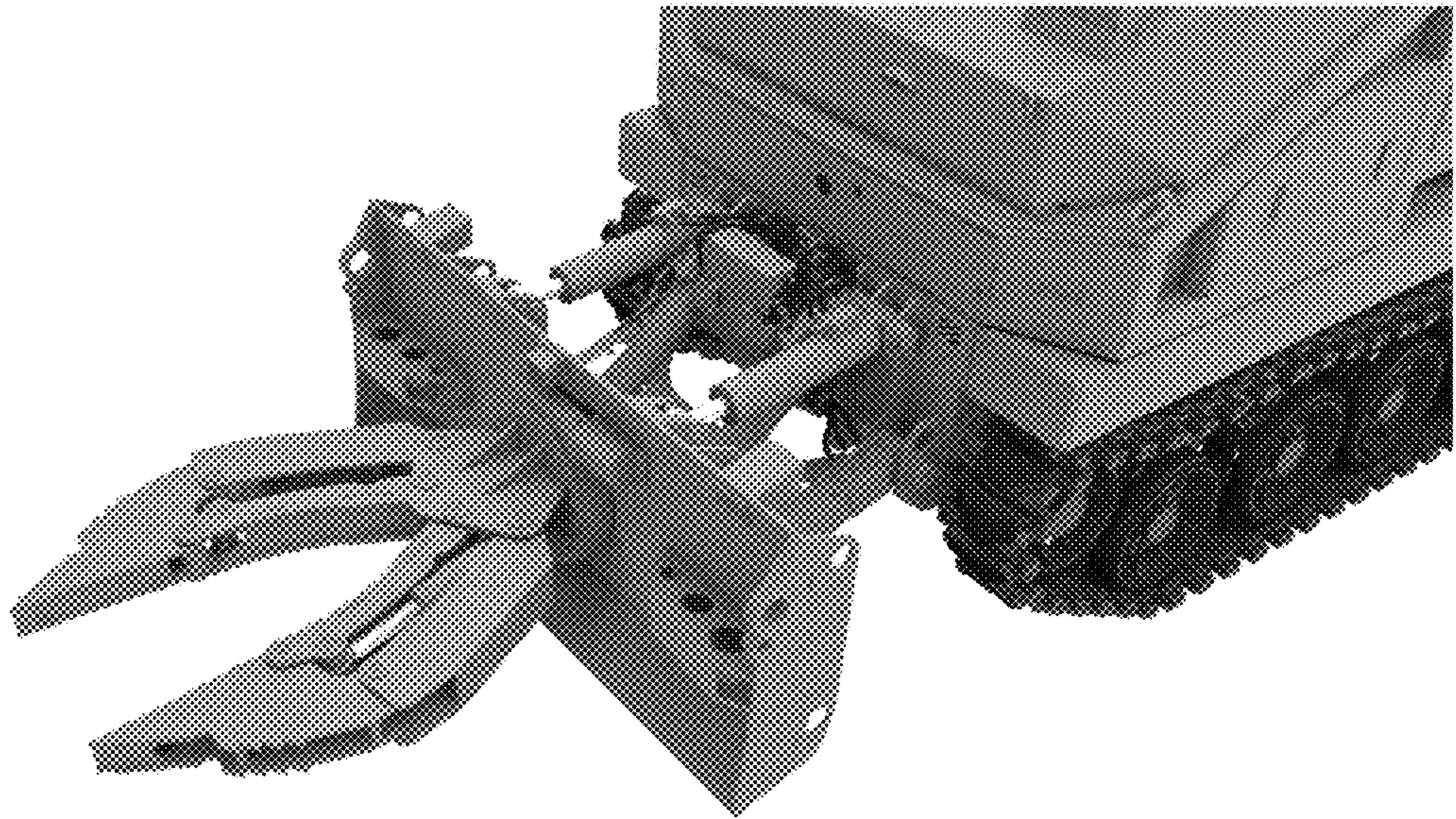
1.2



1.3



1.4



1.5

