



US00D971783S

(12) **United States Design Patent** (10) **Patent No.:** **US D971,783 S**  
**Sato et al.** (45) **Date of Patent:** **\*\* Dec. 6, 2022**

(54) **TRANSPORTATION ROBOT**  
(71) Applicant: **Panasonic Corporation**, Osaka (JP)  
(72) Inventors: **Jin Sato**, Tokyo (JP); **Ryoya Suzuki**, Osaka (JP); **Yoshifumi Kori**, Kyoto (JP); **Yoshihiko Kamiya**, Osaka (JP)  
(73) Assignee: **Panasonic Holdings Corporation**, Osaka (JP)

D917,341 S \* 4/2021 Katz ..... D12/86  
D919,686 S \* 5/2021 Mäkelä ..... D15/199  
D941,900 S \* 1/2022 Jin ..... B25J 11/00  
D15/199  
2018/0194411 A1\* 7/2018 Liivik ..... B60G 5/01  
2019/0184742 A1\* 6/2019 Kwa ..... B62D 21/18  
2020/0090366 A1\* 3/2020 Korjus ..... G01C 21/3602  
2021/0395011 A1\* 12/2021 Crawford, Jr. .... B65G 1/06  
2022/0097588 A1\* 3/2022 Ulsamer ..... B66C 1/36

(\*\*) Term: **15 Years**  
(21) Appl. No.: **29/779,962**  
(22) Filed: **Apr. 21, 2021**

OTHER PUBLICATIONS  
Panasonic Press Release <https://news.panasonic.com/global/press/en201214-1> Dec. 14, 2020 (Year: 2020).\*

(30) **Foreign Application Priority Data**  
Nov. 5, 2020 (JP) ..... 2020-023862 D  
(51) **LOC (13) Cl.** ..... **12-14**  
(52) **U.S. Cl.**  
USPC ..... **D12/1; D15/199**  
(58) **Field of Classification Search**  
USPC ..... D12/1, 181, 96, 99, 400, 182, 183, 184, D12/185, 190, 195, 192, 191, 91, 92; D15/199  
CPC . B25J 5/005; B25J 5/007; B61B 13/00; B66F 9/22; B66F 9/063; B60P 9/00; G05D 1/0263; G05D 1/0238; B62D 39/00  
See application file for complete search history.

\* cited by examiner  
*Primary Examiner* — Ania Aman  
(74) *Attorney, Agent, or Firm* — Panasonic IP Management; Kerry S. Culpepper

(56) **References Cited**  
U.S. PATENT DOCUMENTS  
D821,265 S \* 6/2018 Mäkelä ..... D3/271.12  
D824,976 S \* 8/2018 Mäkelä ..... D15/199  
D866,393 S \* 11/2019 Asai ..... D12/1  
D883,354 S \* 5/2020 Jafarzadeh ..... D15/199

(57) **CLAIM**  
We claim the ornamental design for a transportation robot, as shown and described.

**DESCRIPTION**  
FIG. 1 is a front perspective view of a transportation robot of the present invention;  
FIG. 2 is a rear perspective view thereof;  
FIG. 3 is a front view thereof;  
FIG. 4 is a rear view thereof;  
FIG. 5 is a first side view thereof;  
FIG. 6 is a second side view thereof;  
FIG. 7 is a top view thereof; and,  
FIG. 8 is a bottom view thereof.  
The broken lines in the drawings represent portions of the transportation robot that form no part of the claimed design.

**1 Claim, 8 Drawing Sheets**

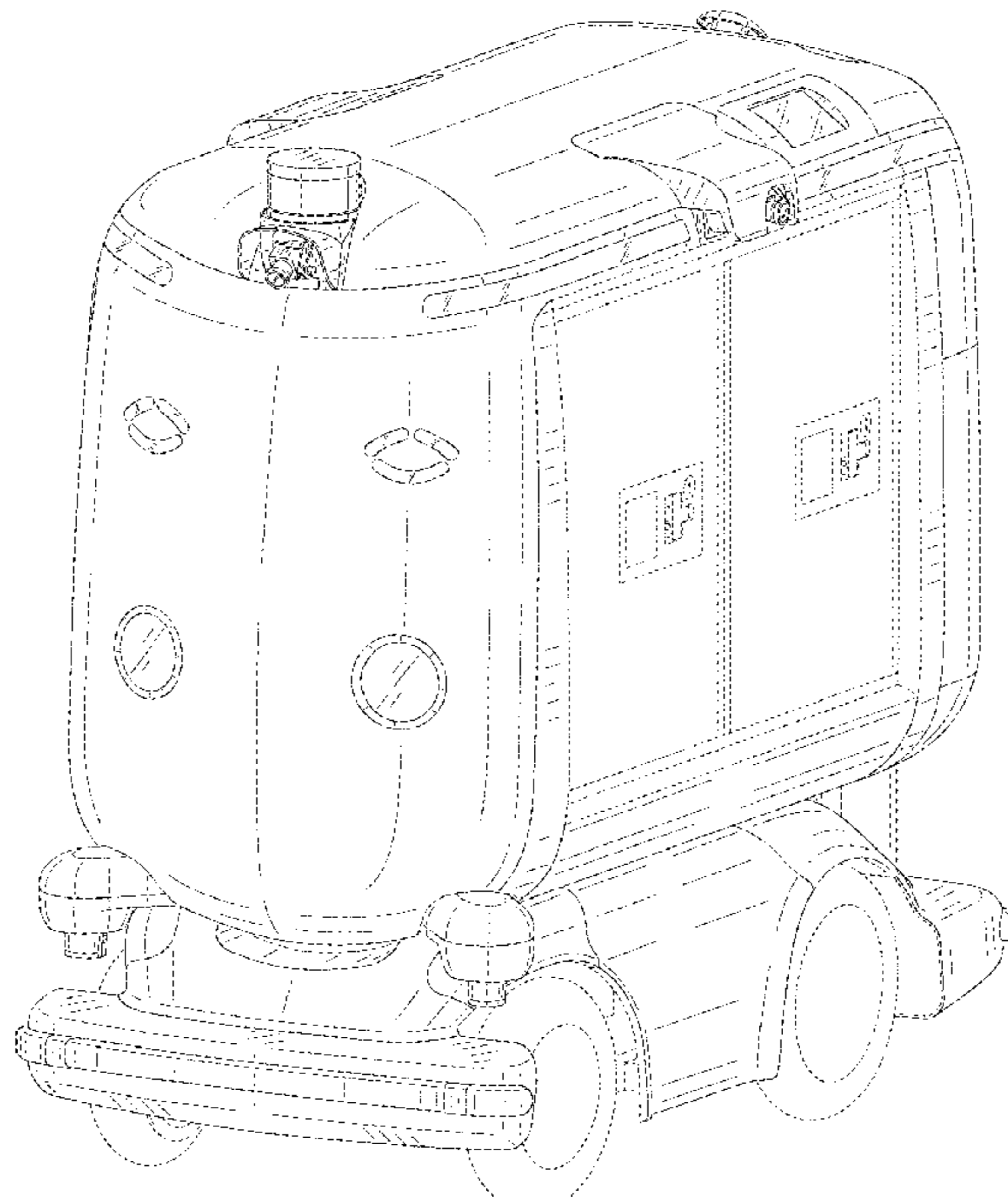


FIG. 1

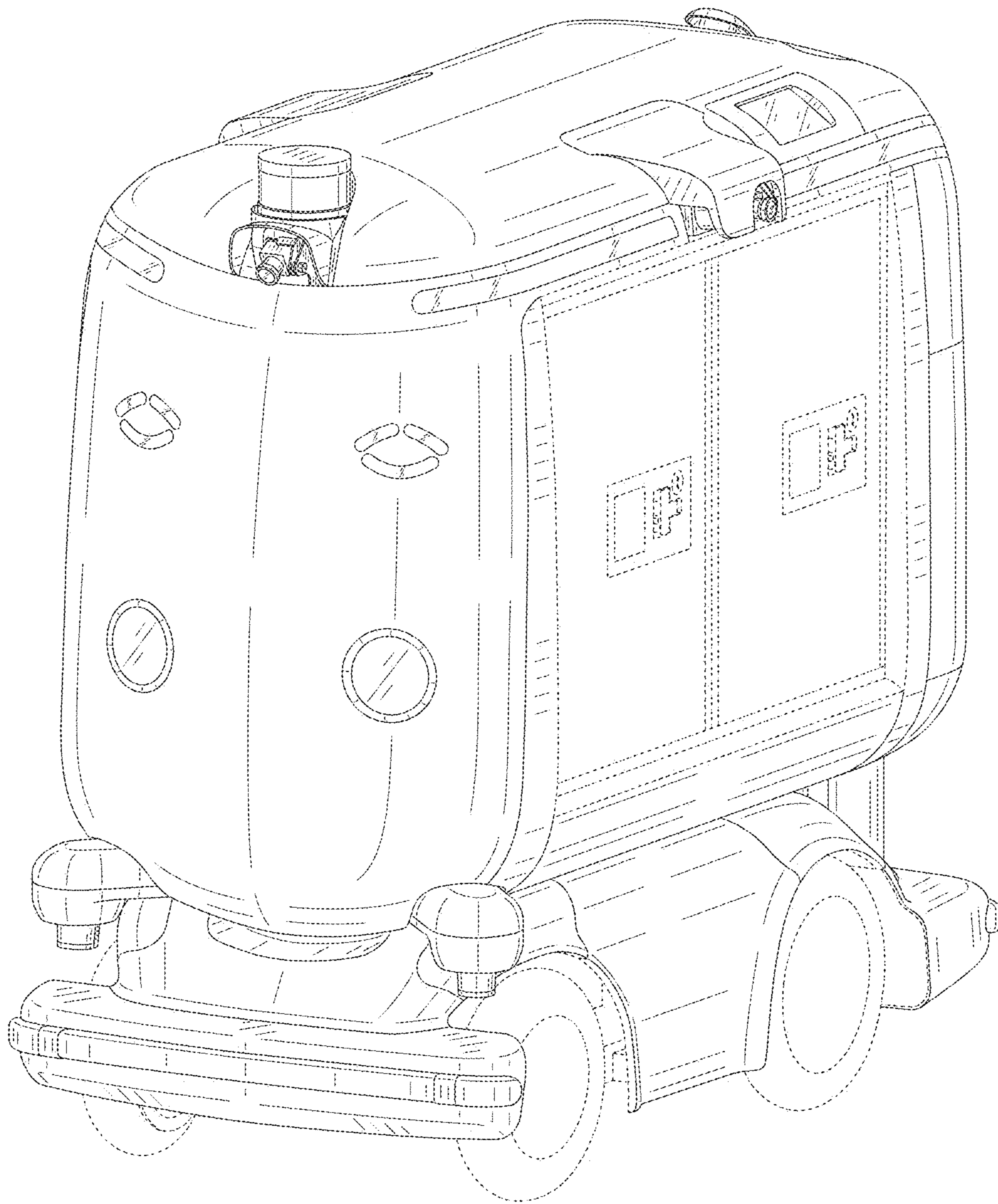


FIG. 2

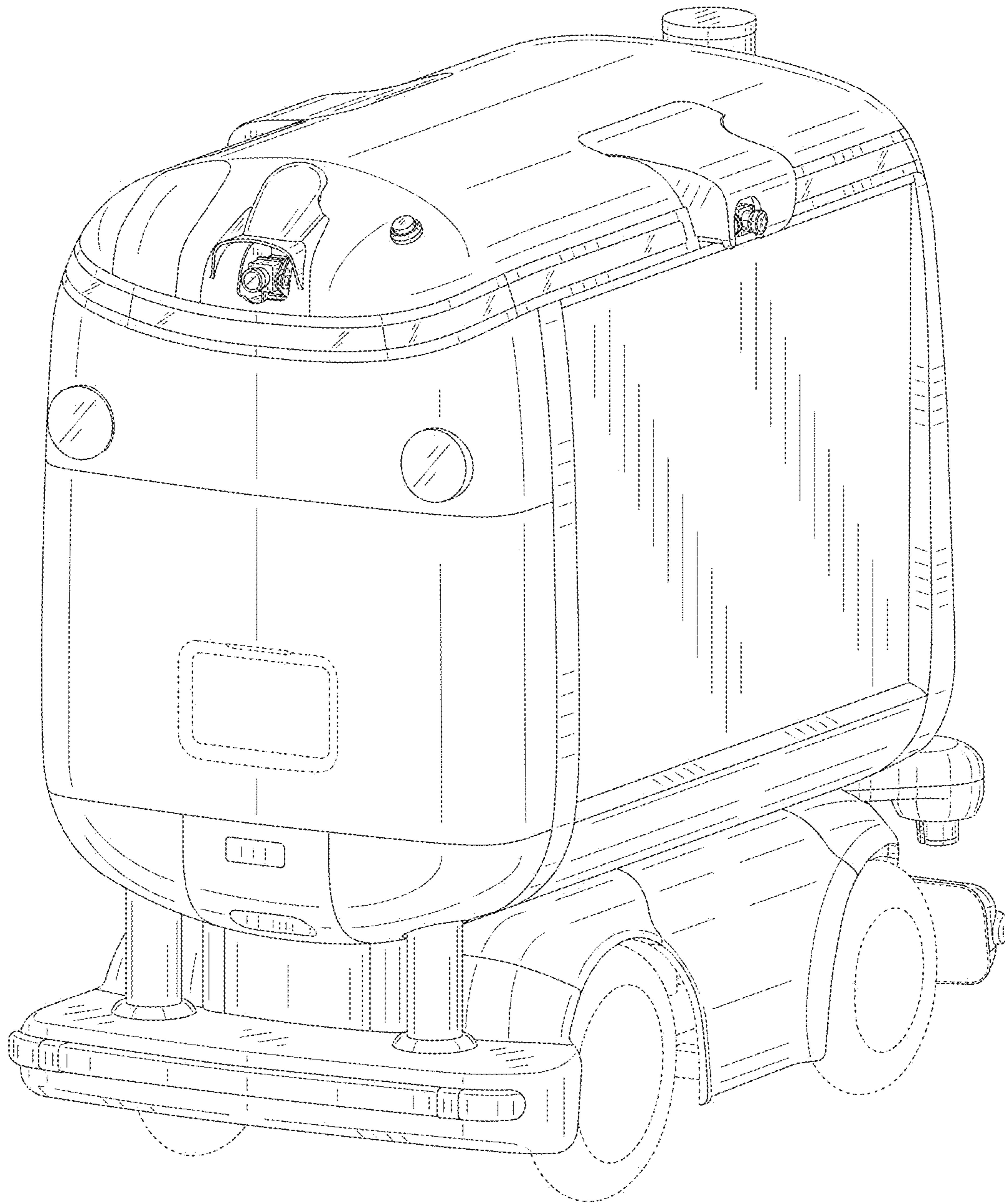




FIG. 3

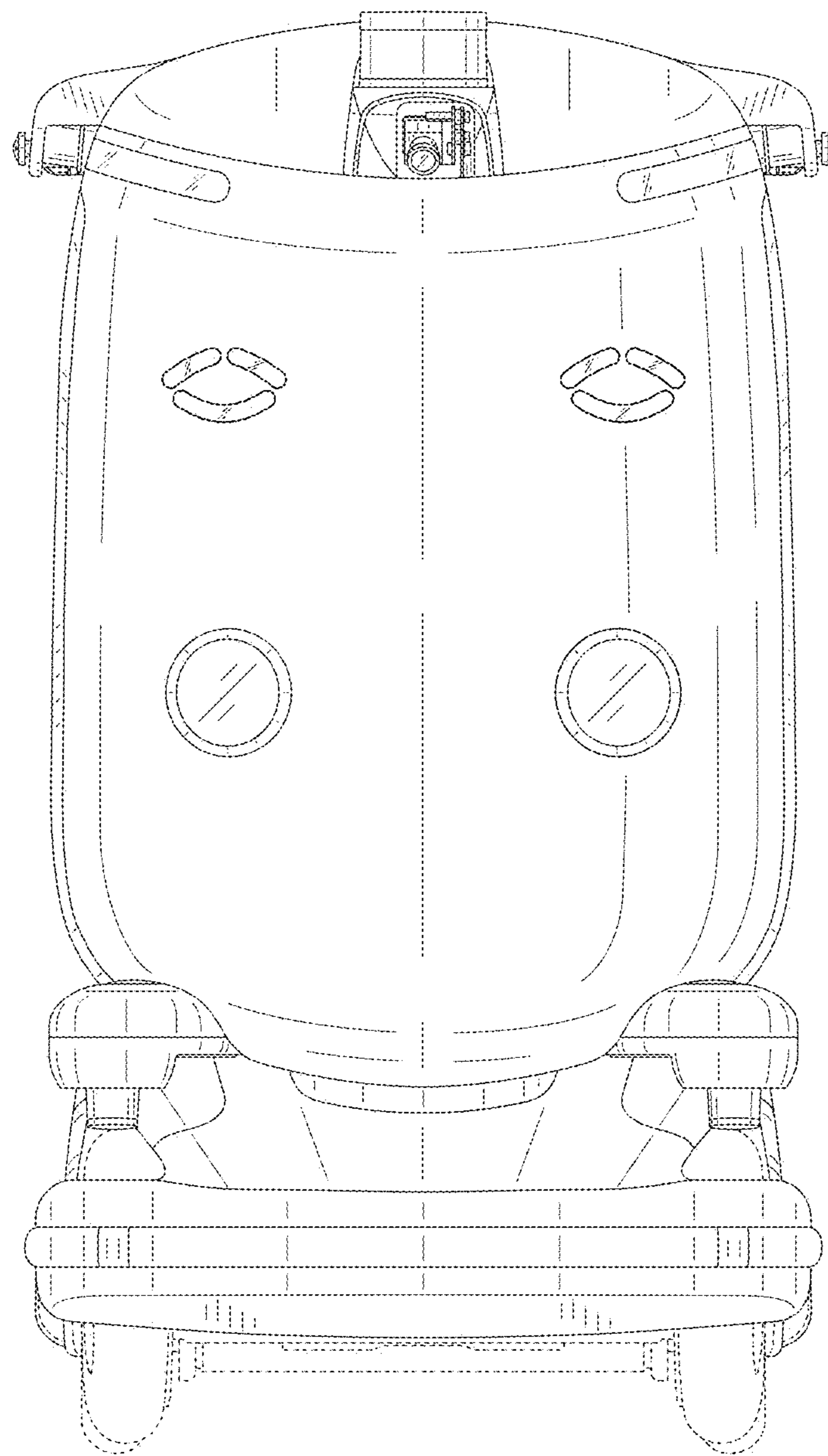


FIG. 4

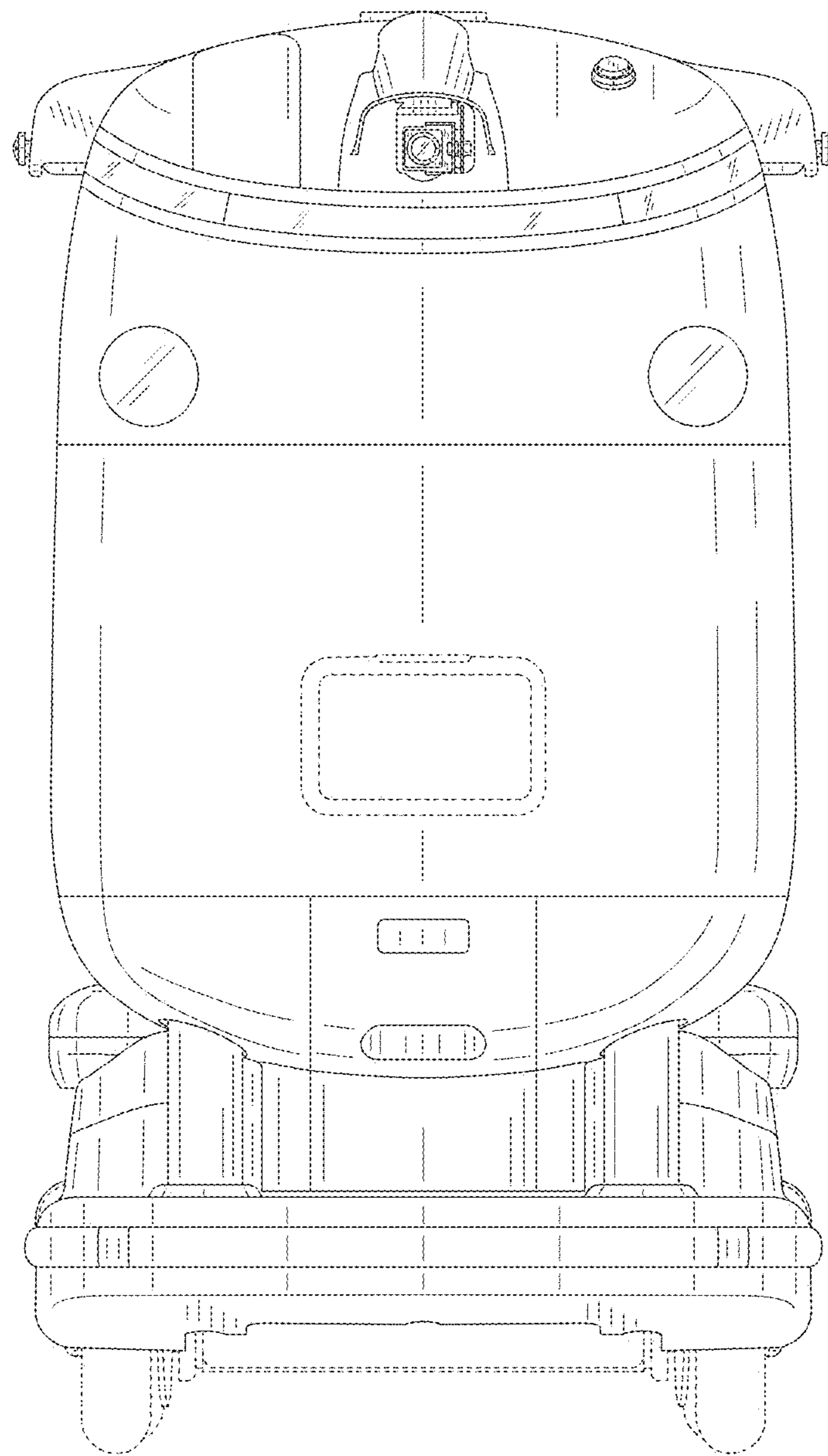


FIG. 5

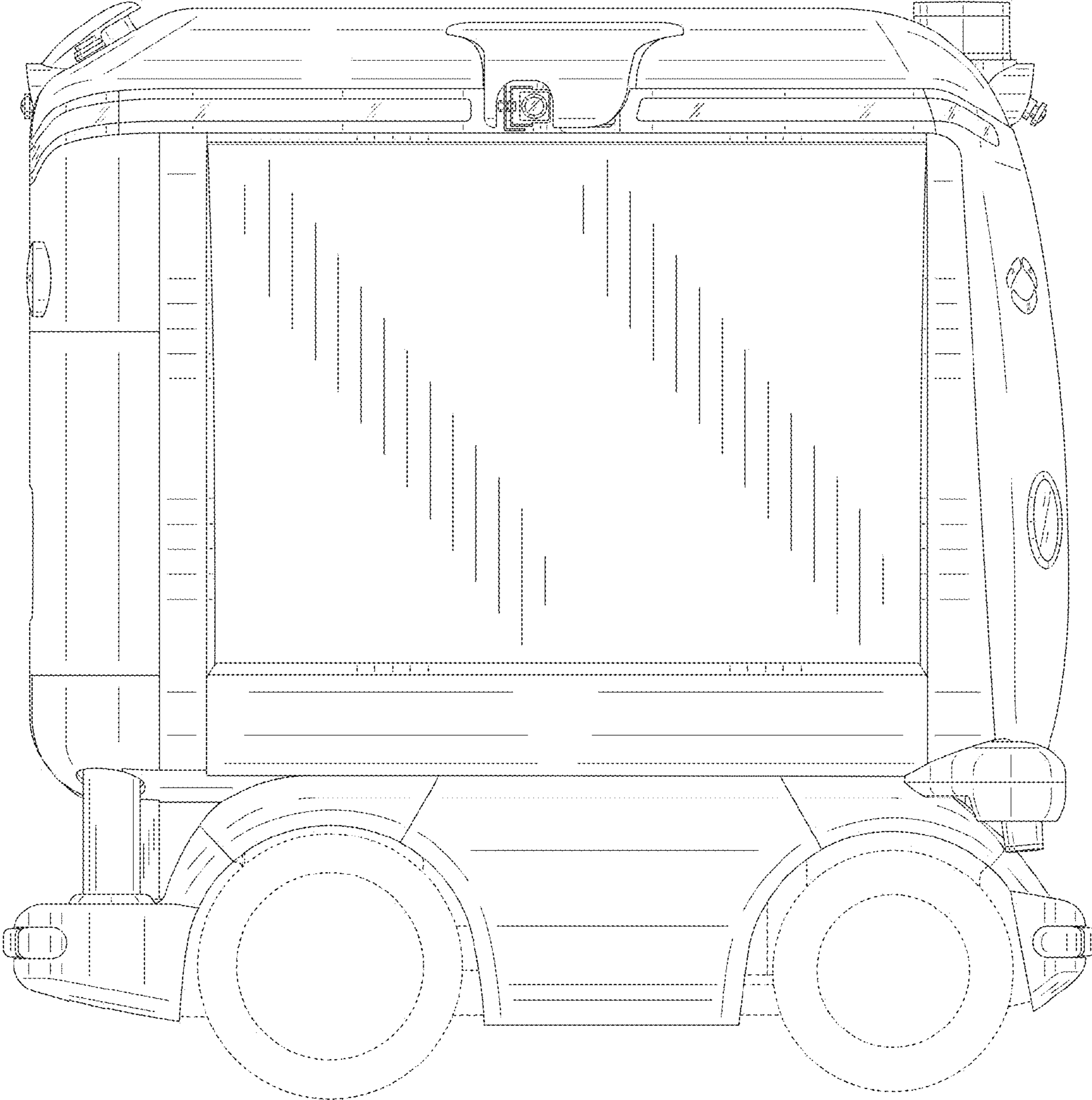


FIG. 6

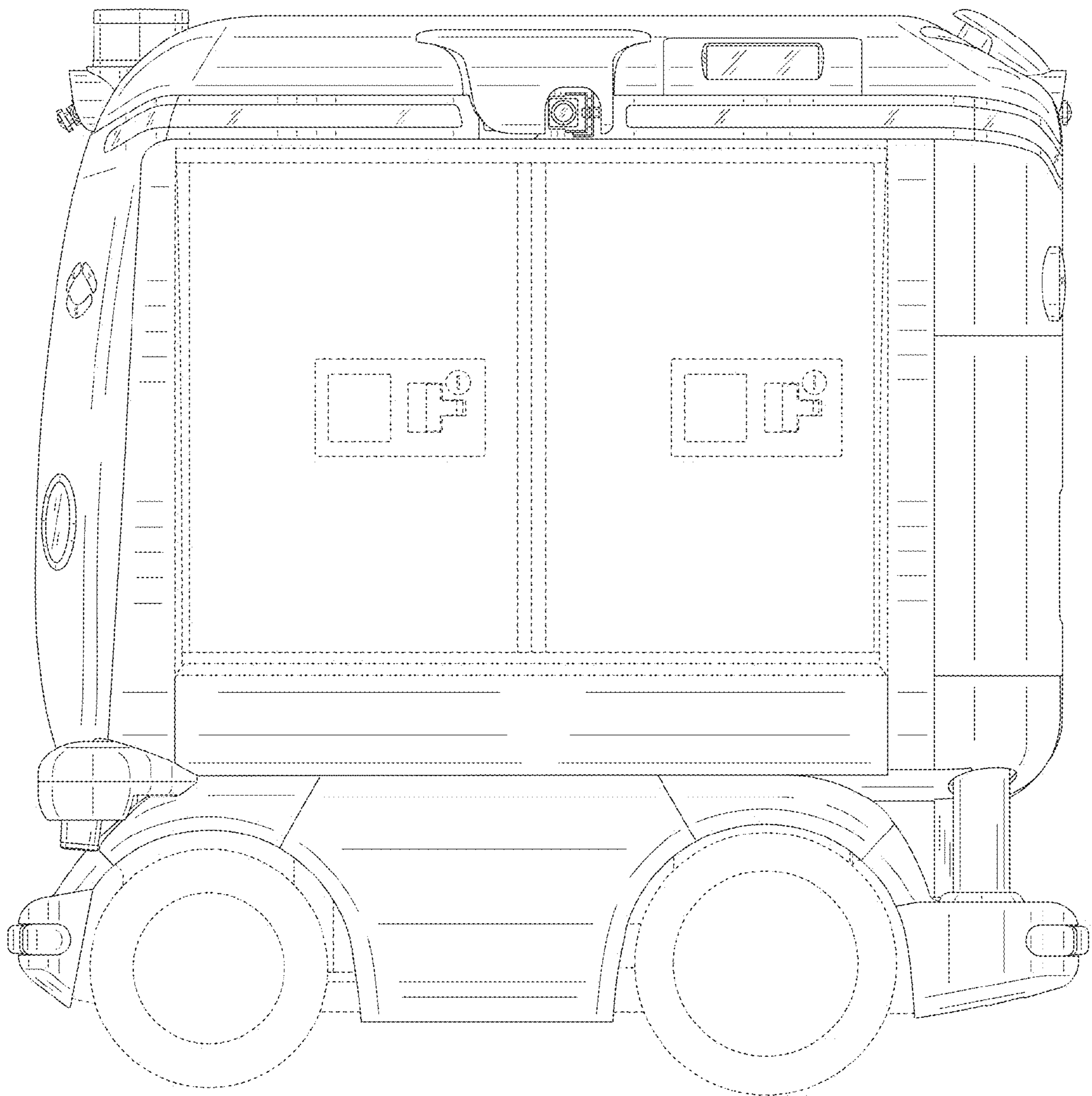


FIG. 7

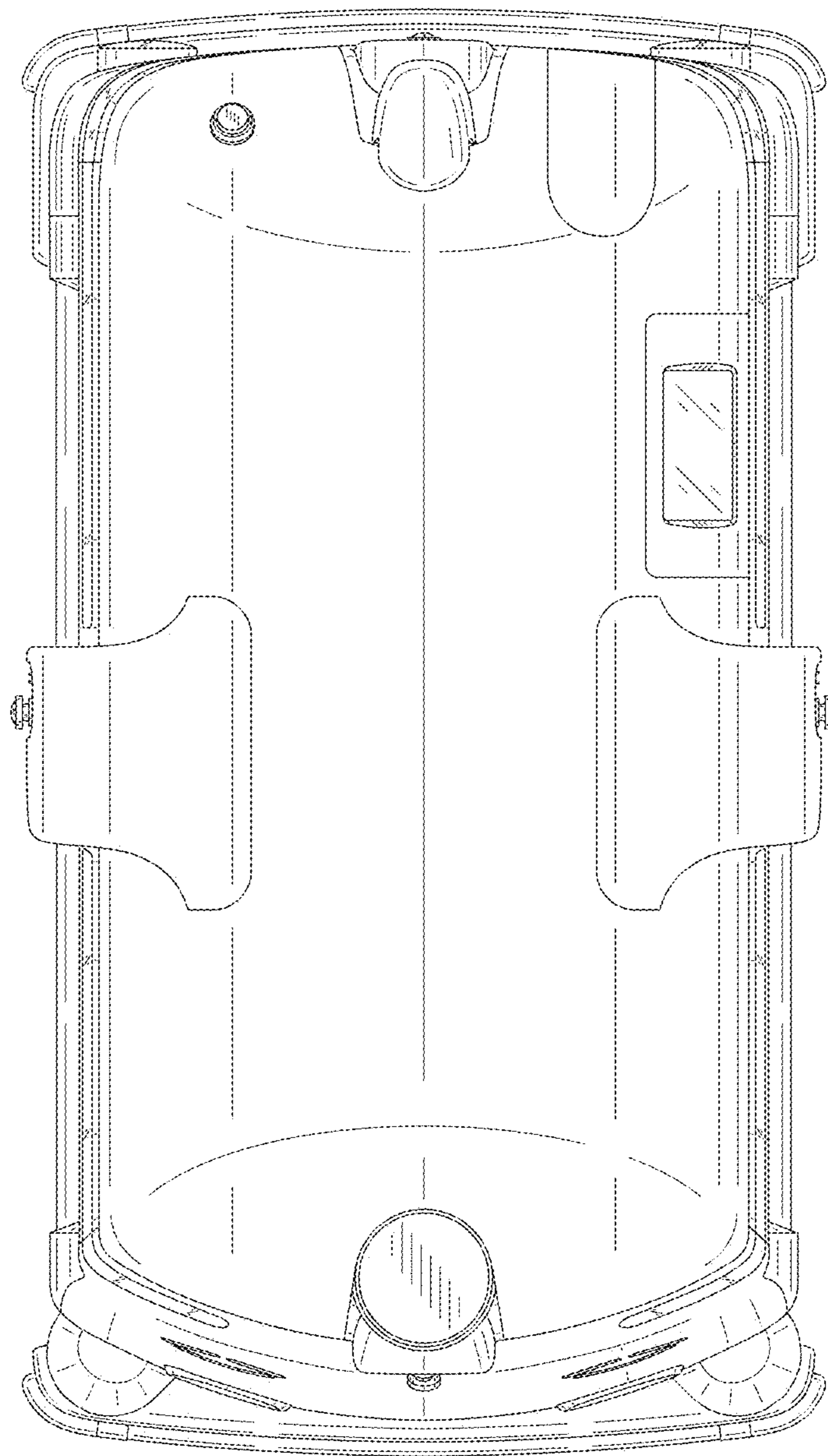




FIG. 8

