

US00D971782S

(12) **United States Design Patent** (10) **Patent No.:** **US D971,782 S**
Wiesmann (45) **Date of Patent:** **** Dec. 6, 2022**

(54) **BELT BUCKLE**
(71) Applicant: **HERMES SELLIER (Société par actions simplifiée)**, Paris (FR)
(72) Inventor: **Peter Wiesmann**, Londres (GB)
(**) Term: **15 Years**
(21) Appl. No.: **35/512,558**
(22) Filed: **Mar. 11, 2021**
(80) **Hague Agreement Data**
Int. Filing Date: **Mar. 11, 2021**
Int. Reg. No.: **DM/213192**
Int. Reg. Date: **Mar. 11, 2021**
Int. Reg. Pub. Date: **Sep. 17, 2021**
(51) **LOC (13) Cl.** **02-07**
(52) **U.S. Cl.**
USPC **D11/231**
(58) **Field of Classification Search**
USPC D11/200, 201, 202, 212, 218, 219, 231, D11/232, 234, 235, 236; D2/624, 625, D2/627, 639; D30/136
CPC A44B 11/00; A44B 11/001; A44B 11/005; A44B 11/006; A44B 11/008; A44B 11/02; A44B 11/20; A44B 11/22; A44B 11/223; A44B 11/226; A44B 11/24; B68C 1/14
See application file for complete search history.

D556,081 S * 11/2007 Mouquet D11/87
D830,227 S * 10/2018 Mouquet D11/231
D856,190 S * 8/2019 Dumas D11/231
D857,551 S * 8/2019 Mouquet D11/231
D915,936 S * 4/2021 Mouquet D11/231
D915,937 S * 4/2021 Dumas D11/231
D915,939 S * 4/2021 Mouquet D11/231
D925,397 S * 7/2021 Della Valle D11/217
D928,655 S * 8/2021 Mouquet D11/232

OTHER PUBLICATIONS

Hermes, Swift Epsom 32mm Constance H Belt 75 Black Gold, https://www.fashionphile.com/p/hermes-swift-epsom-32mm-constance-h-belt-75-black-gold-998419?utm_source=google&utm_medium=cpc&utm_campaign=pmax-shopping&utm_content=buy-40-bo&gclid=EAIaIQobChMI8IPEqv6K-QIVZYJbCh0IwgCIEAkYCyABEgINFvD_BwE, 2021. (Year: 2021).
Pure titanium H shape belt buckle and 3pcs belt, <https://www.aliexpress.com/item/2251832260628691.html?gatewayAdapt=4itemAdapt>, 2022. (Year: 2022).
Hermes "H" Belt: Is It Worth It?—Luxury Belt Review by Sven Raphael Schneider, <https://www.gentlemansgazette.com/hermes-h-belt-review/>, Aug. 14, 2020. (Year: 2020).*

* cited by examiner

Primary Examiner — Elizabeth J Oswecki

(57) **CLAIM**

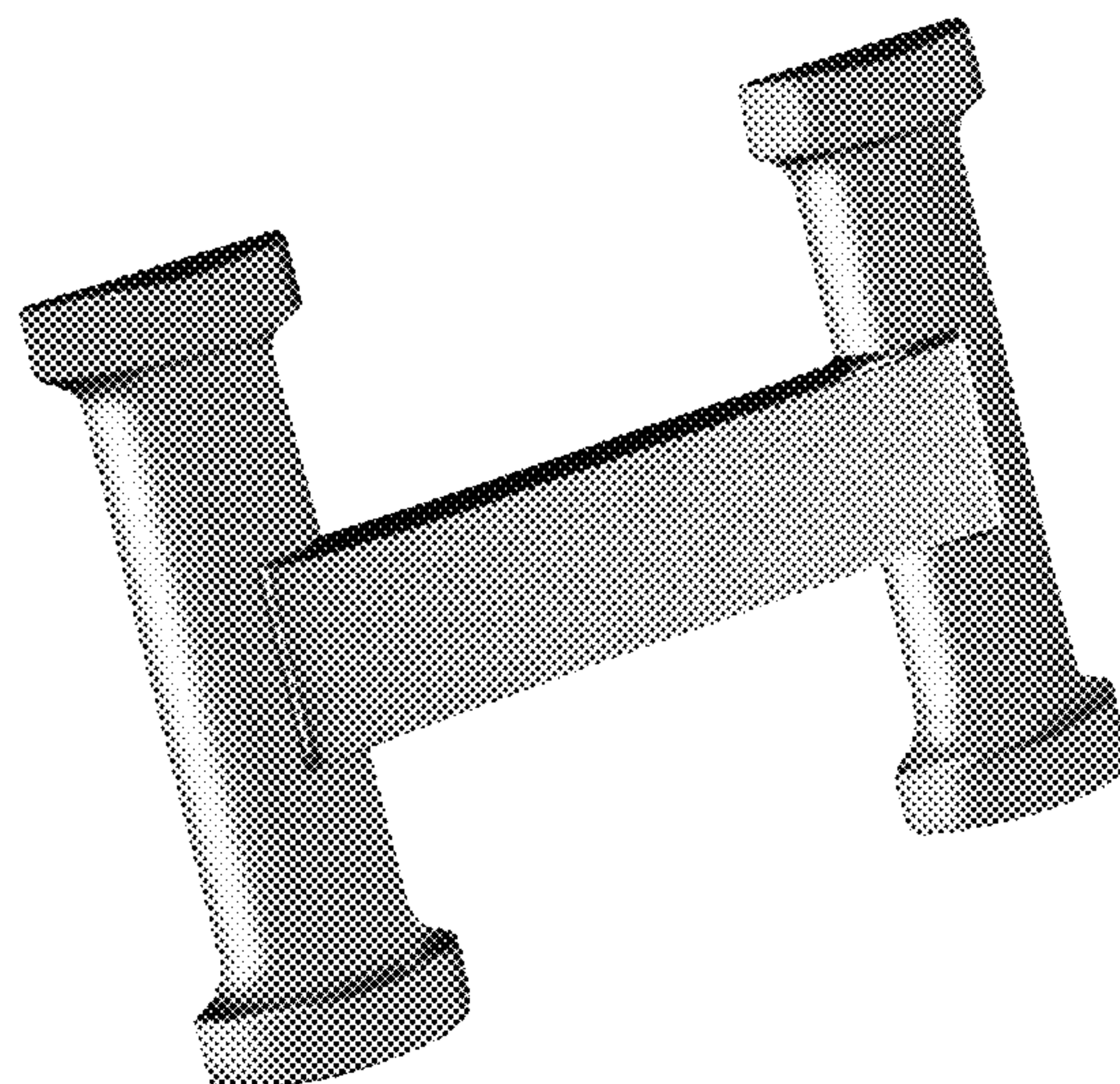
The ornamental design for a belt buckle, as shown and described.

DESCRIPTION

- 1. Belt buckle
- 1.1 : Perspective
- 1.2 : Front
- 1.3 : Back
- 1.4 : Right
- 1.5 : Left
- 1.6 : Top
- 1.7 : Bottom

1 Claim, 7 Drawing Sheets

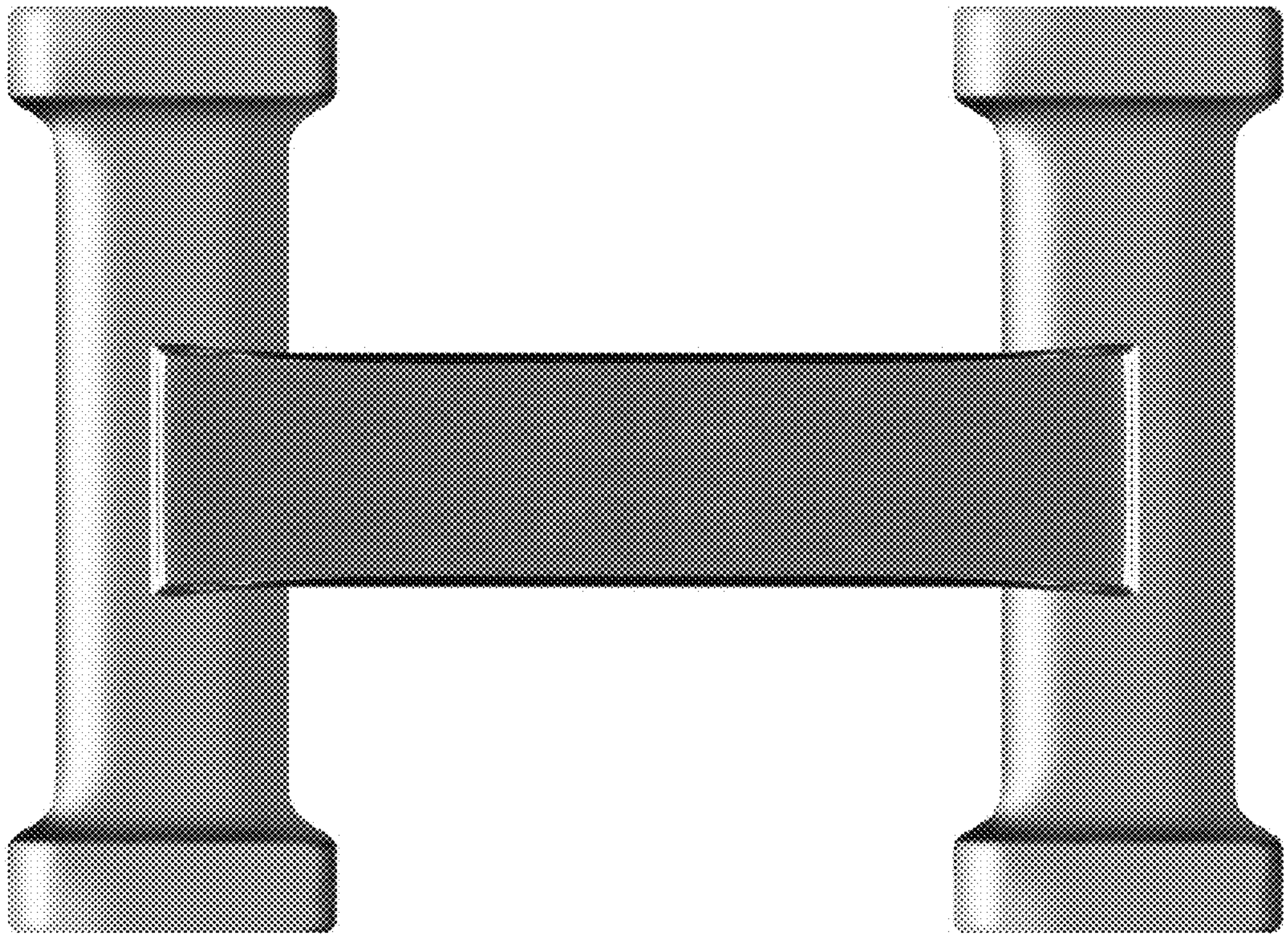
(56) **References Cited**
U.S. PATENT DOCUMENTS
1,145,151 A * 7/1915 Langenbach A44B 11/24
24/178
D85,025 S * 9/1931 Youngberg D11/231
2,783,516 A * 3/1957 Stein A44B 11/22
D11/231
D513,207 S * 12/2005 Jones D11/231
D523,377 S * 6/2006 Mouquet D11/234
D525,907 S * 8/2006 Mouquet D11/234
D536,281 S * 2/2007 Mouquet D11/234



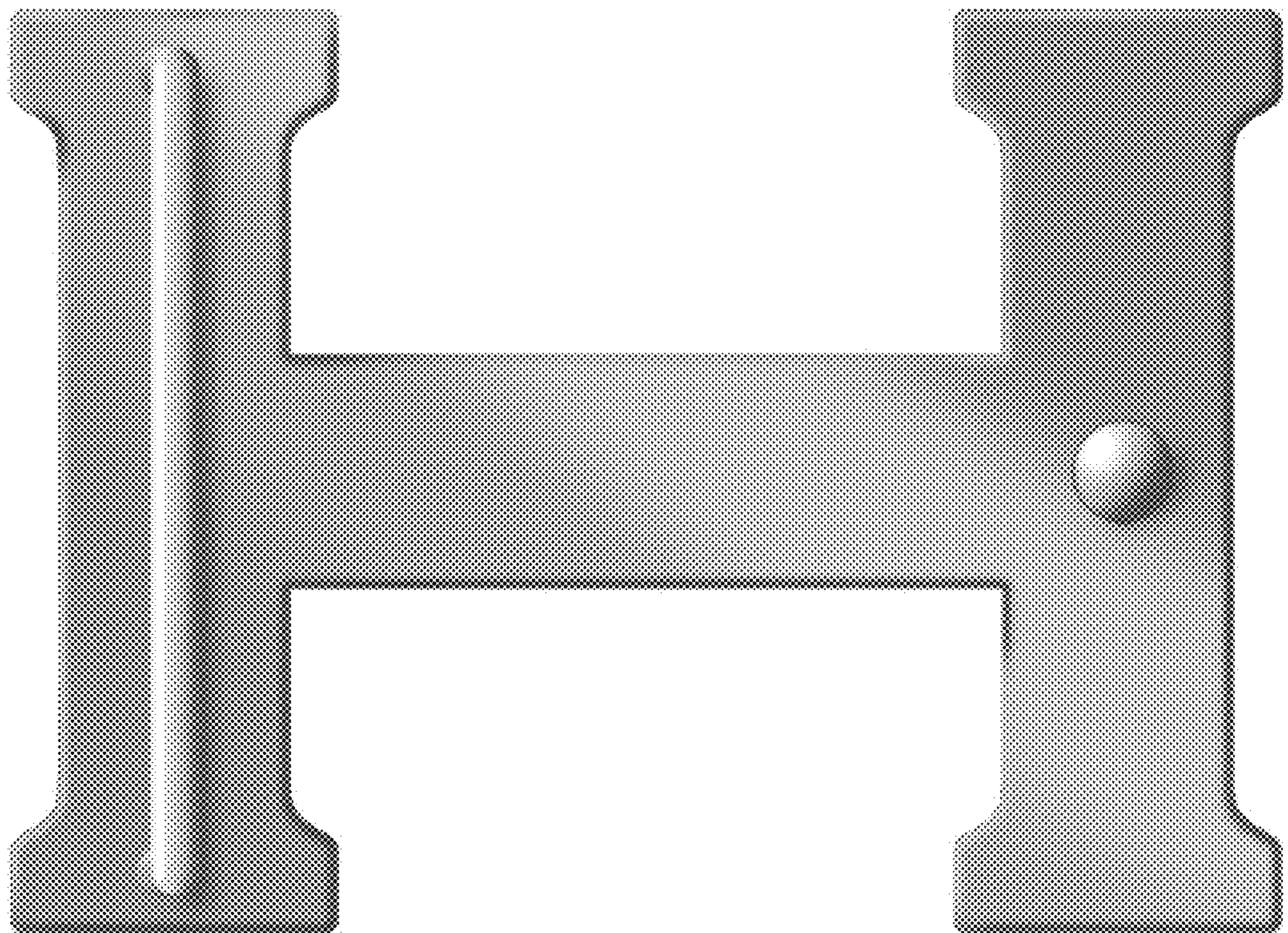
1.1



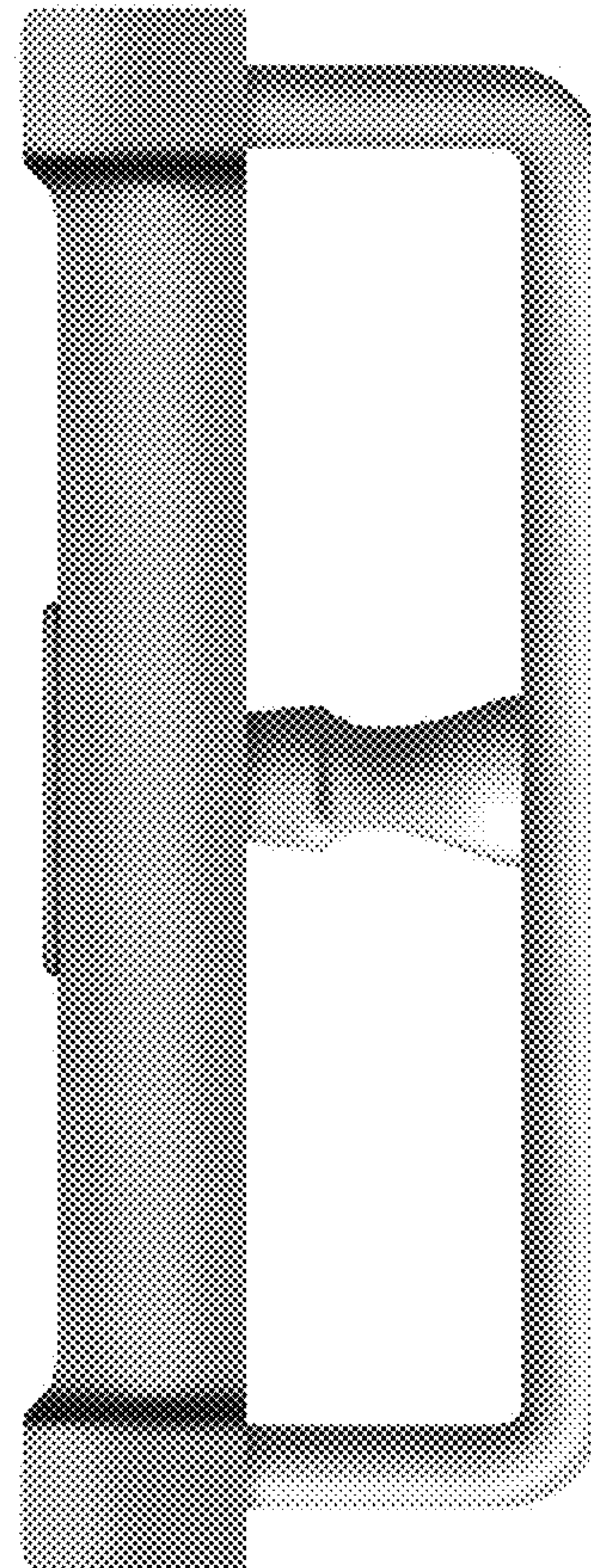
1.2



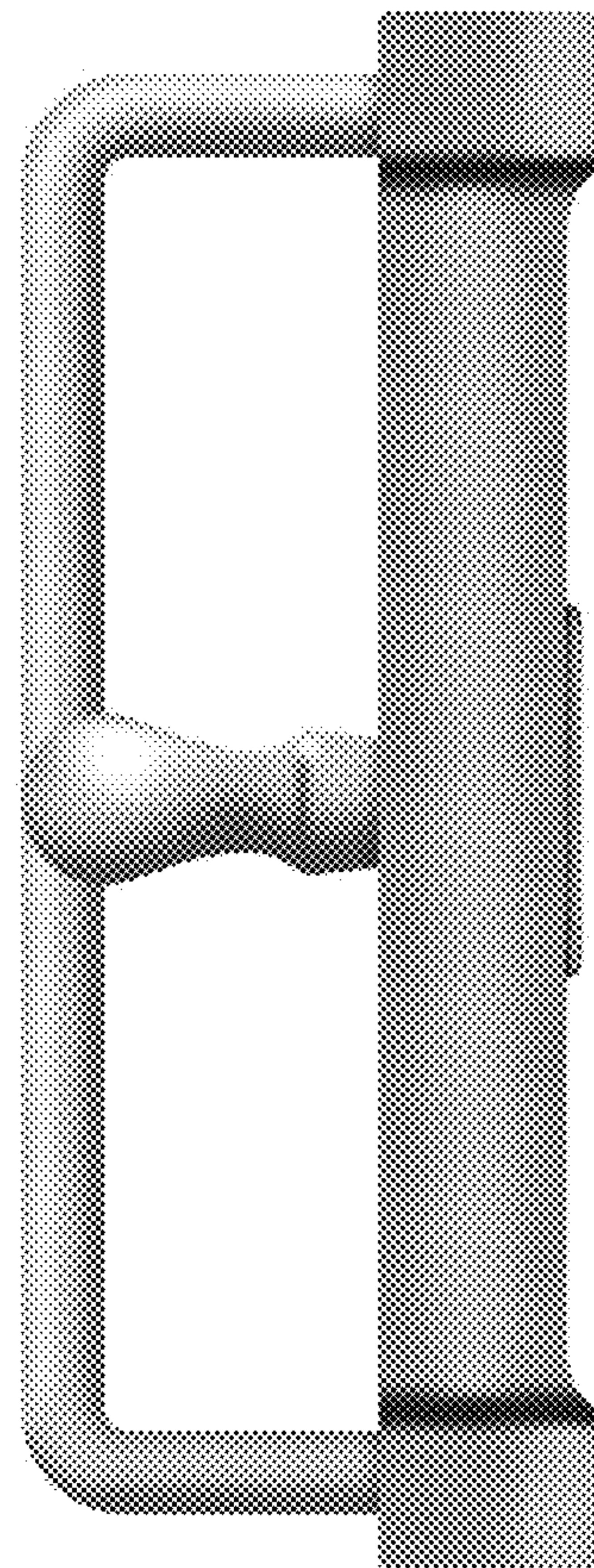
1.3



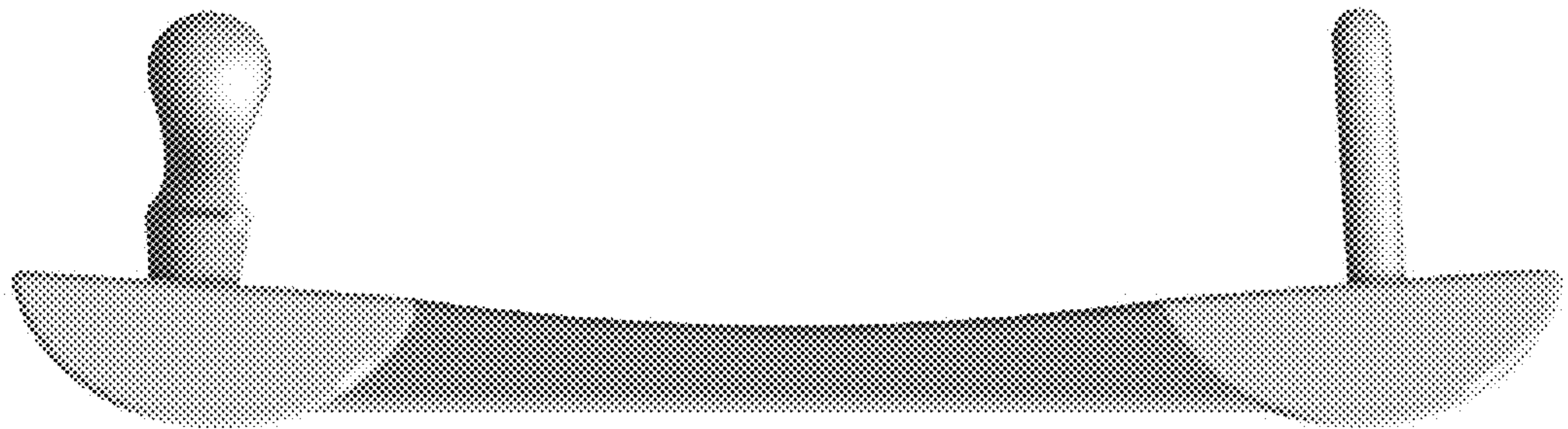
1.4



1.5



1.6



1.7

