



US00D971780S

(12) **United States Design Patent** (10) **Patent No.:** **US D971,780 S**
Tao (45) **Date of Patent:** **** Dec. 6, 2022**

(54) FLAGPOLE	D246,965 S * 1/1978 Hughes G09F 7/22 D11/183
(71) Applicant: Jiaxing Nanhu District Canshan Display Equipment Factory, Jiaxing (CN)	D272,658 S * 2/1984 Schoenig D26/138 D272,766 S * 2/1984 Guerriero D25/68 D277,584 S * 2/1985 Annstedt D20/43 4,899,511 A * 2/1990 Andersson E04H 12/08 52/848
(72) Inventor: Fengshan Tao, Liu'an (CN)	5,081,804 A * 1/1992 Andersson E04H 12/2215 405/250
(73) Assignee: Jiaxing Nanhu District Canshan Display Equipment Factory, Jiaxing (CN)	D374,812 S * 10/1996 Hirano D8/382 D403,617 S 1/1999 Zeese (Continued)

(**) Term: **15 Years**

(21) Appl. No.: **29/865,138**

(22) Filed: **Jul. 11, 2022**

(51) **LOC (13) Cl.** **11-05**

(52) **U.S. Cl.**
USPC **D11/181**

(58) **Field of Classification Search**
USPC D11/166, 181, 182, 183, 184; D8/37, 38,
D8/72, 349, 351, 363, 373, 376, 378, 380,
D8/382, 383, 394, 396; D20/16, 17, 33,
D20/41, 42, 43
CPC A47G 7/045; A45F 3/44; G09F 17/00;
H01Q 1/1228

See application file for complete search history.

(56) **References Cited**

U.S. PATENT DOCUMENTS

433,124 A *	7/1890	Hall	G09F 17/00 248/156
551,158 A *	12/1895	Ernst	G09F 17/00 116/173
559,167 A *	4/1896	Ernst	G09F 17/00 54/56
2,839,320 A *	6/1958	Hill	F16B 7/0486 D8/382
3,046,040 A *	7/1962	Luper	F16B 7/18 D8/382
3,076,557 A *	2/1963	Husted	A47J 37/0763 248/156

OTHER PUBLICATIONS

Boztiy Light Poles, 2022, found on Oct. 21, 2022 at <https://www.homedepot.com/p/BOZTIY-9-ft-x-25-mm-5-Prong-Fork-Backyard-Outdoor-String-Light-Poles-Stand-for-Patio-Garden-Yard-Flagpole-2-Pack-K16TYDG-TWS9ft/321081966> (Year: 2022).*

(Continued)

Primary Examiner — Karen S Acker

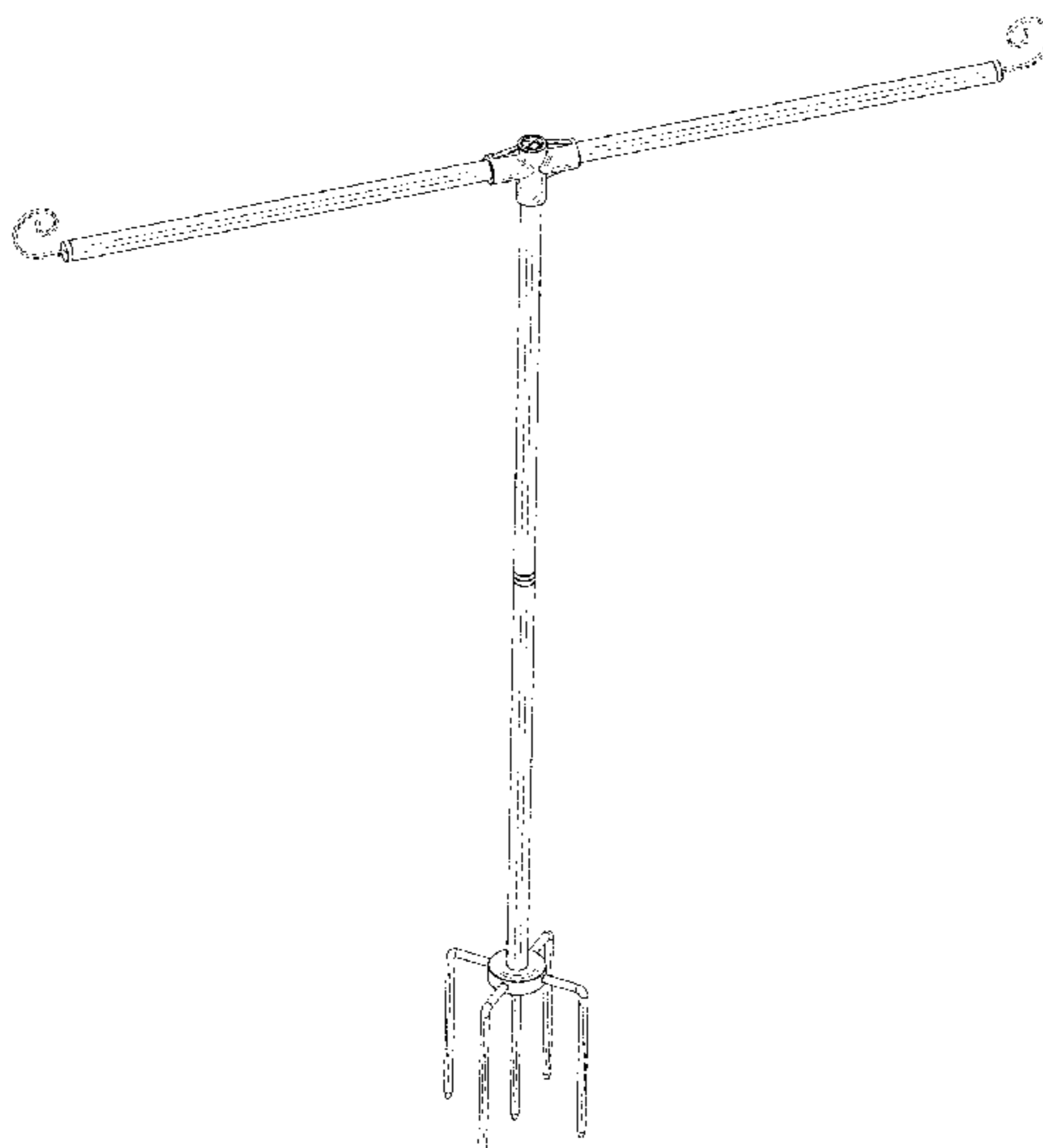
(57) **CLAIM**

The ornamental design for a flagpole, as shown and described.

DESCRIPTION

FIG. 1 is a front elevation view of a flagpole showing the new design;
FIG. 2 is a back elevation view thereof;
FIG. 3 is a left-side view thereof;
FIG. 4 is a right-side view thereof;
FIG. 5 is a top plan view thereof;
FIG. 6 is a bottom plan view thereof;
FIG. 7 is a top-left perspective view thereof; and,
FIG. 8 is a back, left-side and bottom perspective view thereof.
The broken lines depict portions of the article that form no part of the claimed design.

1 Claim, 8 Drawing Sheets



(56)

References Cited

U.S. PATENT DOCUMENTS

D423,918 S * 5/2000 Hirano D8/382
 6,123,311 A * 9/2000 Trinier E04H 12/2215
 248/188.7
 6,213,314 B1 * 4/2001 Beemer B25H 3/04
 211/205
 D511,297 S * 11/2005 Goldberg D8/383
 7,086,346 B1 * 8/2006 Van Horn G09F 17/00
 24/518
 D553,778 S 10/2007 Phillips
 7,318,266 B2 * 1/2008 Bergh A45F 3/44
 29/434
 7,363,874 B1 * 4/2008 Arne G09F 17/00
 116/63 P
 7,389,603 B1 * 6/2008 Brumfield G09F 7/22
 248/370
 D626,405 S * 11/2010 Goad A45F 3/44
 D8/382
 D743,840 S 11/2015 Digenakis
 9,390,640 B1 * 7/2016 Coleman G09F 17/00
 D840,672 S * 2/2019 Nichols D3/10
 D929,897 S 9/2021 Cooley
 D952,448 S * 5/2022 Yang D8/367
 D957,986 S * 7/2022 Huang G09F 15/0062
 D8/367
 D966,868 S * 10/2022 Luo D8/367

2003/0173474 A1 * 9/2003 Taylor A45F 3/44
 248/156
 2003/0217496 A1 * 11/2003 Dicke G09F 15/0062
 40/607.04
 2004/0049958 A1 * 3/2004 Eisen G09F 17/00
 40/514
 2006/0130380 A1 * 6/2006 Aires G09F 17/00
 40/603
 2007/0246628 A1 * 10/2007 Palmer A47G 7/045
 248/304

OTHER PUBLICATIONS

Joyseus Garden Pole, Jul. 23, 2021, found on Oct. 21, 2022, at
https://www.amazon.co.uk/JOYSEUS-Garden-Shepherd-Resistant-Without/dp/B0978HF9BN/ref=cm_cr_arp_d_product_top?ie=UTF8&th=1 (Year: 2021).
<https://www.amazon.com/BIRDROCK-HOME-String-Light-Stands/dp/B09ZG6HQ1H>, from Amazon.com, printed on Jul. 8, 2022.
<https://www.amazon.com/dp/B09MNFDSGB>, from Amazon.com, printed on Jul. 8, 2022.
<https://www.amazon.com/dp/B0999M3V12>, from Amazon.com, printed on Jul. 8, 2022.
<https://www.amazon.com/dp/B09Q615Z57>, from Amazon.com, printed on Jul. 8, 2022.

* cited by examiner



FIG. 1

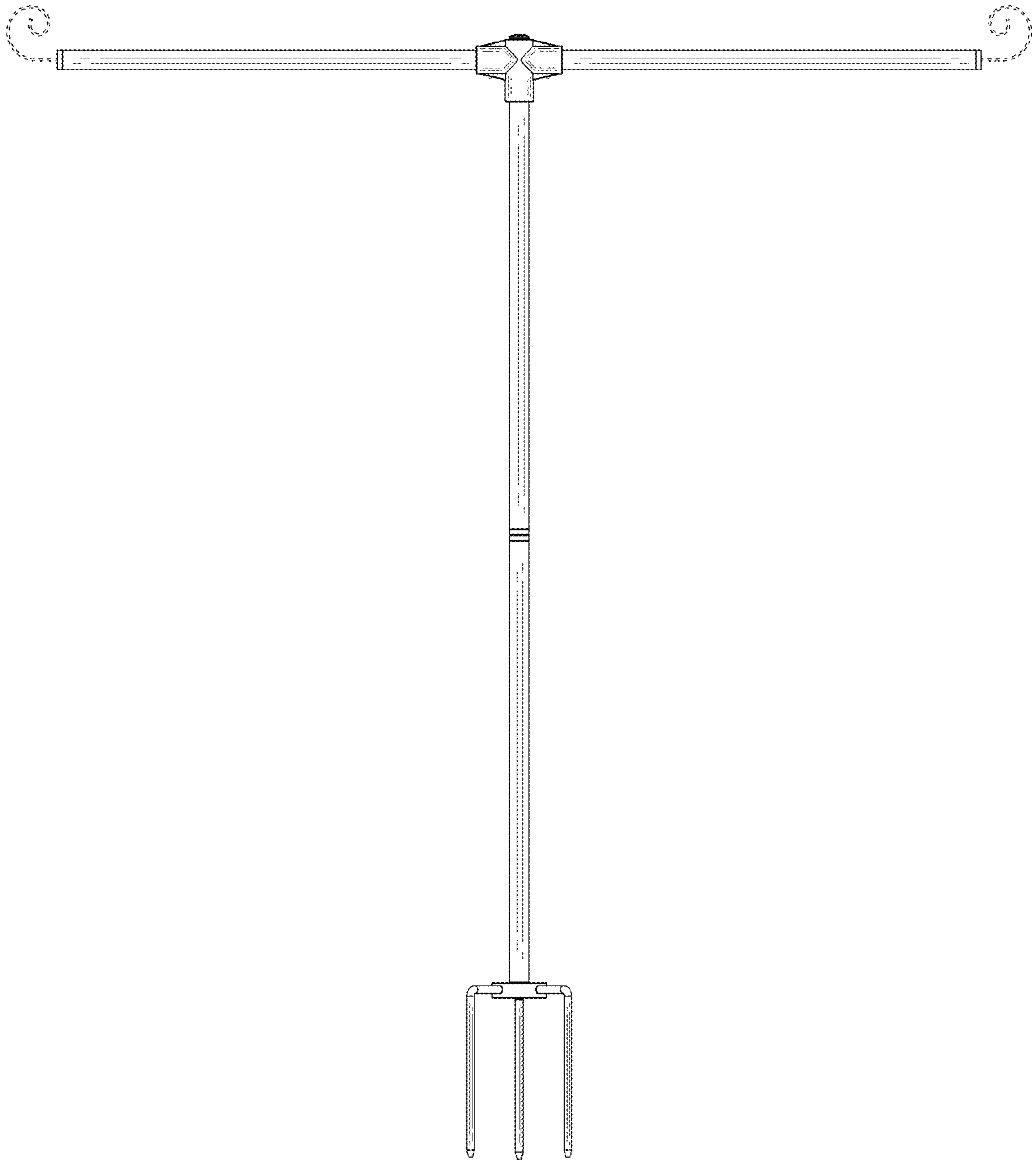


FIG. 2

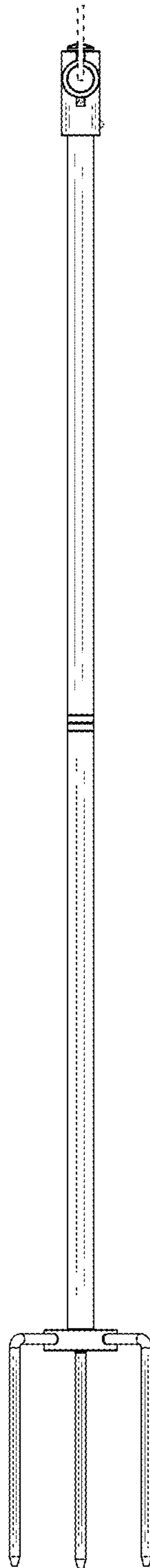


FIG. 3

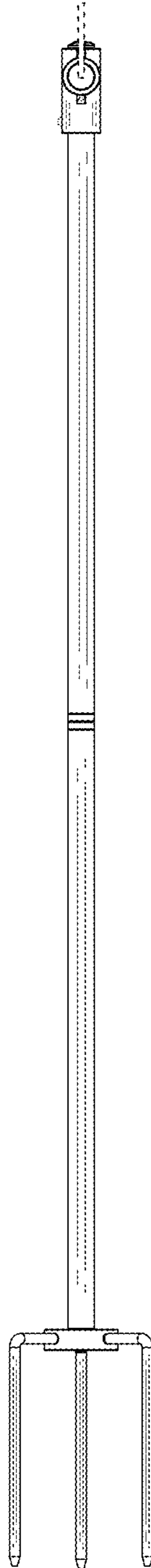


FIG. 4

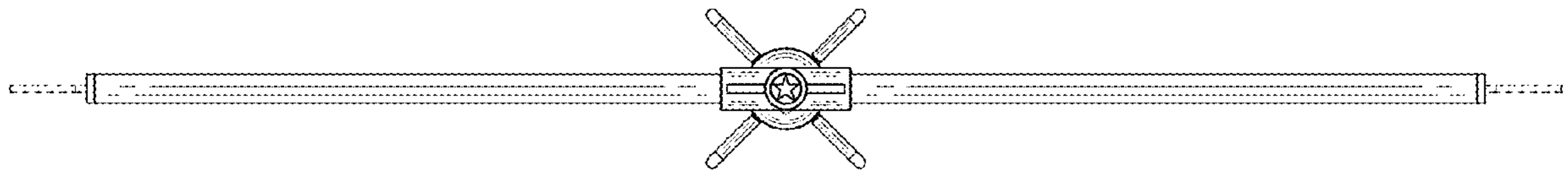


FIG. 5

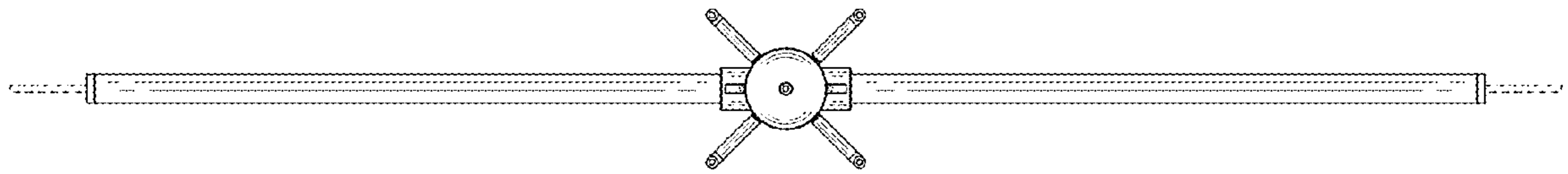


FIG. 6

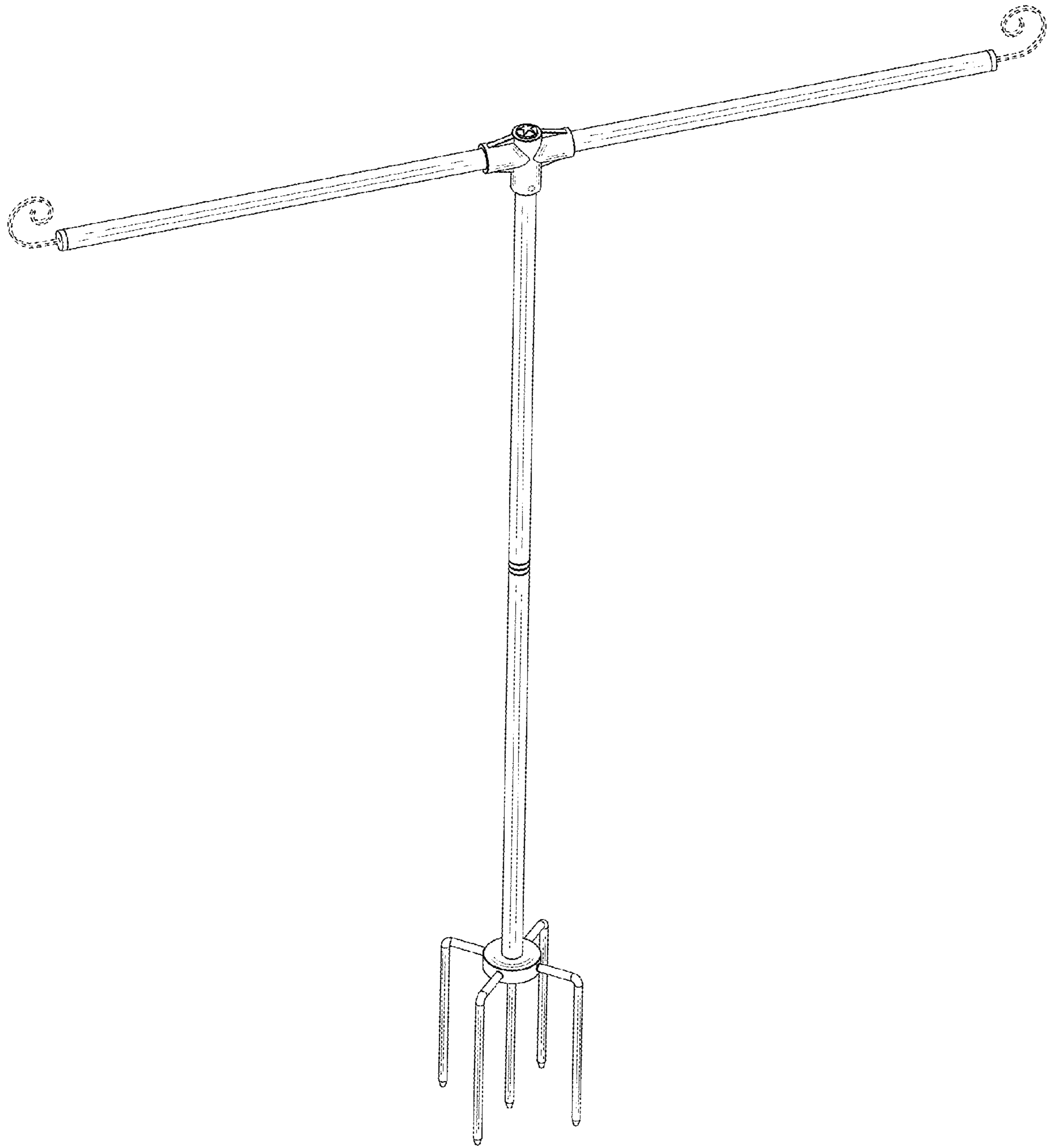


FIG. 7

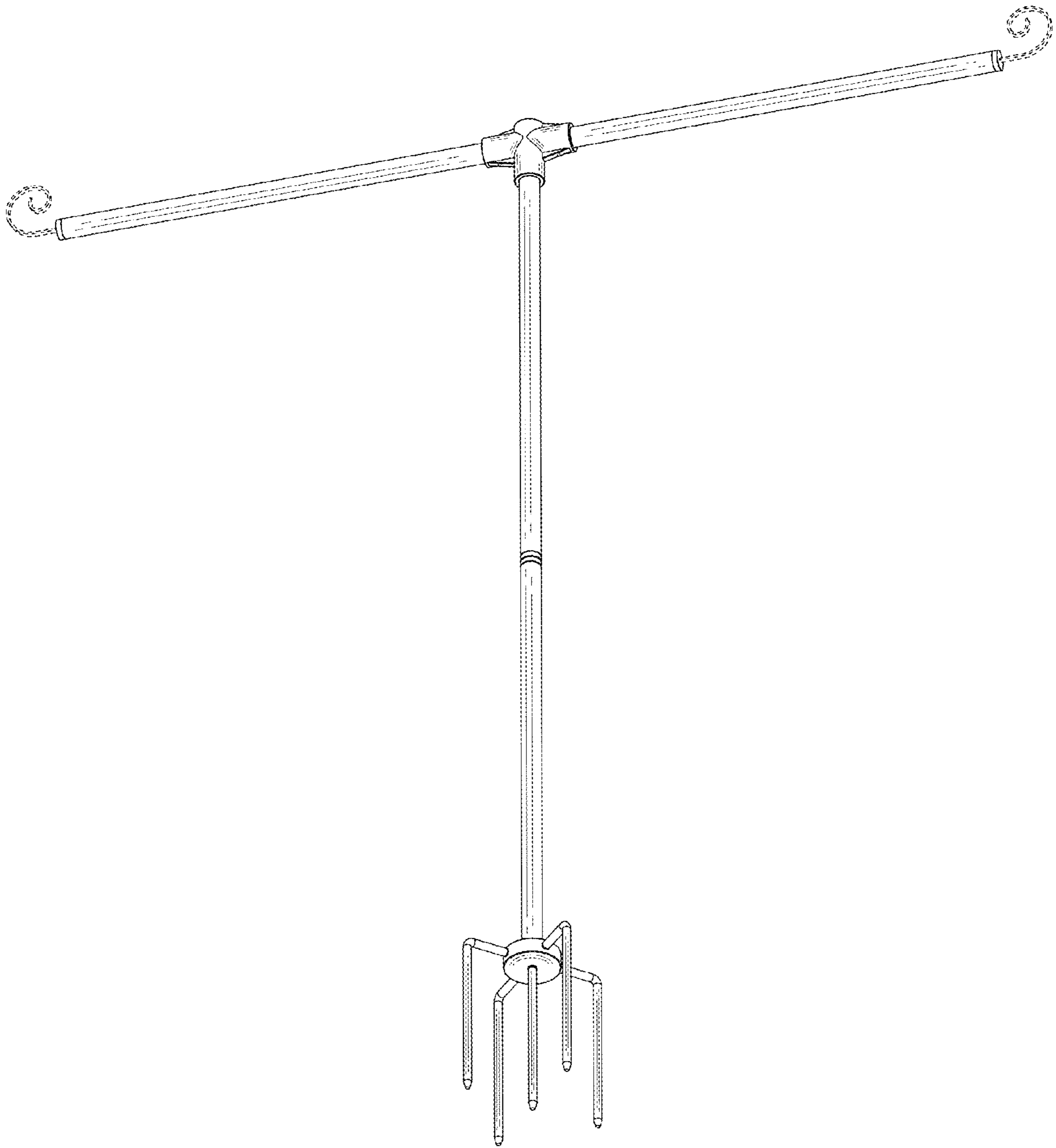


FIG. 8