



US00D971779S

(12) **United States Design Patent** (10) **Patent No.:** **US D971,779 S**  
**Falconer** (45) **Date of Patent:** **\*\* Dec. 6, 2022**

(54) **SEED AND PLANT BAG**

FOREIGN PATENT DOCUMENTS

(71) Applicant: **RIJK ZWAAN ZAADTEELT EN ZAADHANDEL B.V.**, De Lier (NL)  
(72) Inventor: **Rick Falconer**, Salinas, CA (US)  
(73) Assignee: **Rijk Zwaan Zaadteelt En Zaadhandel B.V.**, De Lier (NL)

EP 0282230 9/1988  
*Primary Examiner* — Richard E Chilcot  
(74) *Attorney, Agent, or Firm* — Weatherly IP Solutions, LLC; Barbara Campbell

(\*\*) Term: **15 Years**

(57) **CLAIM**

(21) Appl. No.: **29/740,060**

The ornamental design for a seed and plant bag, as shown and described.

(22) Filed: **Jun. 30, 2020**

(51) **LOC (13) Cl.** ..... **11-02**

(52) **U.S. Cl.**  
USPC ..... **D11/144; D9/709**  
CPC ..... **A01G 9/02 (2013.01)**

**DESCRIPTION**

(58) **Field of Classification Search**  
USPC ..... D11/143–156, 164; D6/403–405, D6/556–558; D8/1; D9/702, 703, 707, D9/709  
CPC . A01G 9/02; A01G 9/021; A01G 9/04; A01G 27/003; A01G 31/06  
See application file for complete search history.

FIG. 1 shows a front perspective view of a seed and plant bag showing my new design in a closed state.  
FIG. 2 is a front elevation view thereof  
FIG. 3 is a rear elevation view thereof.  
FIG. 4 is a left elevation view thereof.  
FIG. 5 is a right elevation view thereof.  
FIG. 6 is a top plan view thereof.  
FIG. 7 is a bottom plan view thereof.  
FIG. 8 is a front perspective view thereof in an open state.  
FIG. 9 is a front elevation view thereof.  
FIG. 10 is a rear elevation view thereof.  
FIG. 11 is a left elevation view thereof.  
FIG. 12 is a right elevation view thereof.  
FIG. 13 is a top plan view thereof.  
FIG. 14 is a bottom plan view thereof; and,  
FIG. 15 is a front perspective view thereof.  
The very fine stippling on the bottom one third of the bag denote that portion of the bag is opaque. The cross-hatching showing sealed edges is understood to be distributed uniformly around the edges on three sides of the claimed design even though it is shown intermittently on part of the edges. The broken lines in the drawings are included to show portions of the bag and subject matter that forms no part of the claimed design.

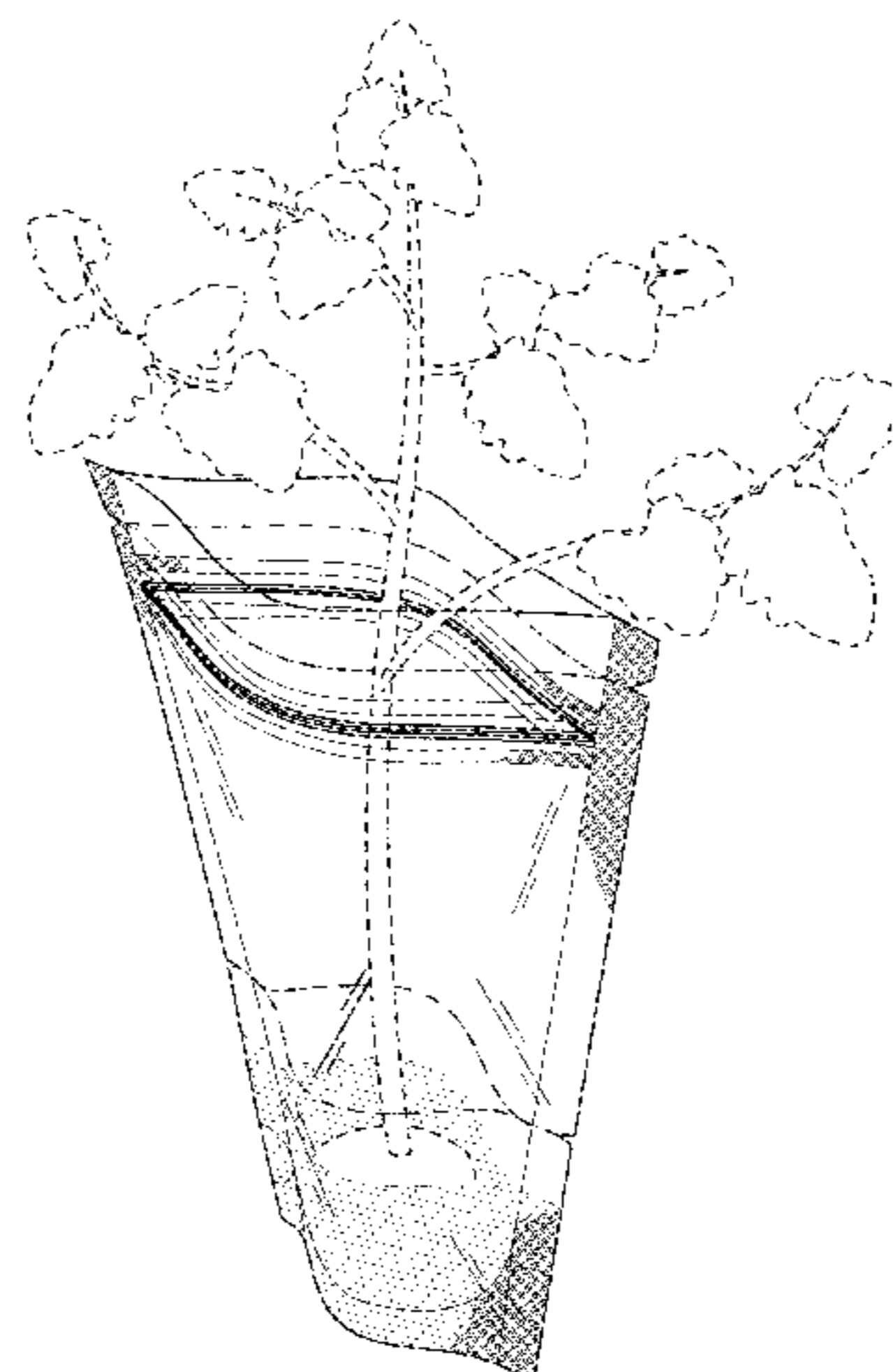
(56) **References Cited**

U.S. PATENT DOCUMENTS

3,320,697 A 5/1967 Larsen  
3,437,258 A \* 4/1969 Kugler ..... B65D 75/008  
383/122  
D234,417 S \* 3/1975 Bair ..... D9/707  
3,869,828 A 3/1975 Matsumoto  
3,935,993 A \* 2/1976 Doyen ..... B65D 75/008  
383/122  
4,118,890 A 10/1978 Shore  
4,898,477 A \* 2/1990 Cox ..... B65D 33/007  
426/115  
5,140,727 A \* 8/1992 Dais ..... B65D 33/2558  
24/585.12  
5,171,683 A 12/1992 Kertz  
5,184,896 A \* 2/1993 Hammond ..... B65D 33/007  
383/33  
D344,407 S \* 2/1994 Derrickson ..... D9/709

(Continued)

**1 Claim, 11 Drawing Sheets**



(56)

References Cited

U.S. PATENT DOCUMENTS

D374,204 S \* 10/1996 Weder ..... D11/143  
 5,647,670 A \* 7/1997 Iscovich ..... B65D 33/25  
 383/92  
 5,971,613 A \* 10/1999 Bell ..... B29C 66/229  
 383/906  
 6,182,395 B1 \* 2/2001 Weder ..... B65D 81/36  
 47/72  
 D465,411 S \* 11/2002 Berman ..... D9/707  
 D470,757 S \* 2/2003 Espinel ..... D9/707  
 D497,543 S \* 10/2004 Buckley ..... D9/703  
 6,827,491 B2 \* 12/2004 Kohl ..... B65D 33/2541  
 383/33  
 6,899,460 B2 \* 5/2005 Turvey ..... B65D 33/2508  
 383/33  
 D513,192 S \* 12/2005 Lin ..... D9/702  
 D535,910 S \* 1/2007 Shaffer ..... D11/164  
 D541,171 S \* 4/2007 Delmotte ..... D9/709

D545,217 S \* 6/2007 Jeric ..... D9/709  
 D545,688 S \* 7/2007 Donovan ..... D9/703  
 D656,841 S \* 4/2012 Echavarria ..... D9/709  
 D686,507 S \* 7/2013 Zanini ..... D9/702  
 D724,441 S \* 3/2015 Fukuda ..... D9/707  
 9,102,423 B2 \* 8/2015 Verma ..... B65B 7/00  
 9,108,381 B2 \* 8/2015 Steele ..... B31B 70/62  
 9,126,735 B2 \* 9/2015 Price ..... B65D 33/24  
 9,334,087 B2 \* 5/2016 Cho ..... B65D 31/12  
 D777,056 S \* 1/2017 Ananda ..... D11/143  
 9,598,208 B2 \* 3/2017 Aki ..... B65D 25/32  
 10,011,396 B2 \* 7/2018 Price ..... B65D 33/2566  
 D874,876 S \* 2/2020 Finell ..... D7/602  
 D876,891 S \* 3/2020 Finell ..... D7/509  
 2006/0280386 A1 \* 12/2006 Bublitz ..... B65D 33/007  
 383/62  
 2007/0206888 A1 \* 9/2007 Chang ..... B65D 75/5805  
 383/93  
 2016/0113210 A1 4/2016 Lin

\* cited by examiner

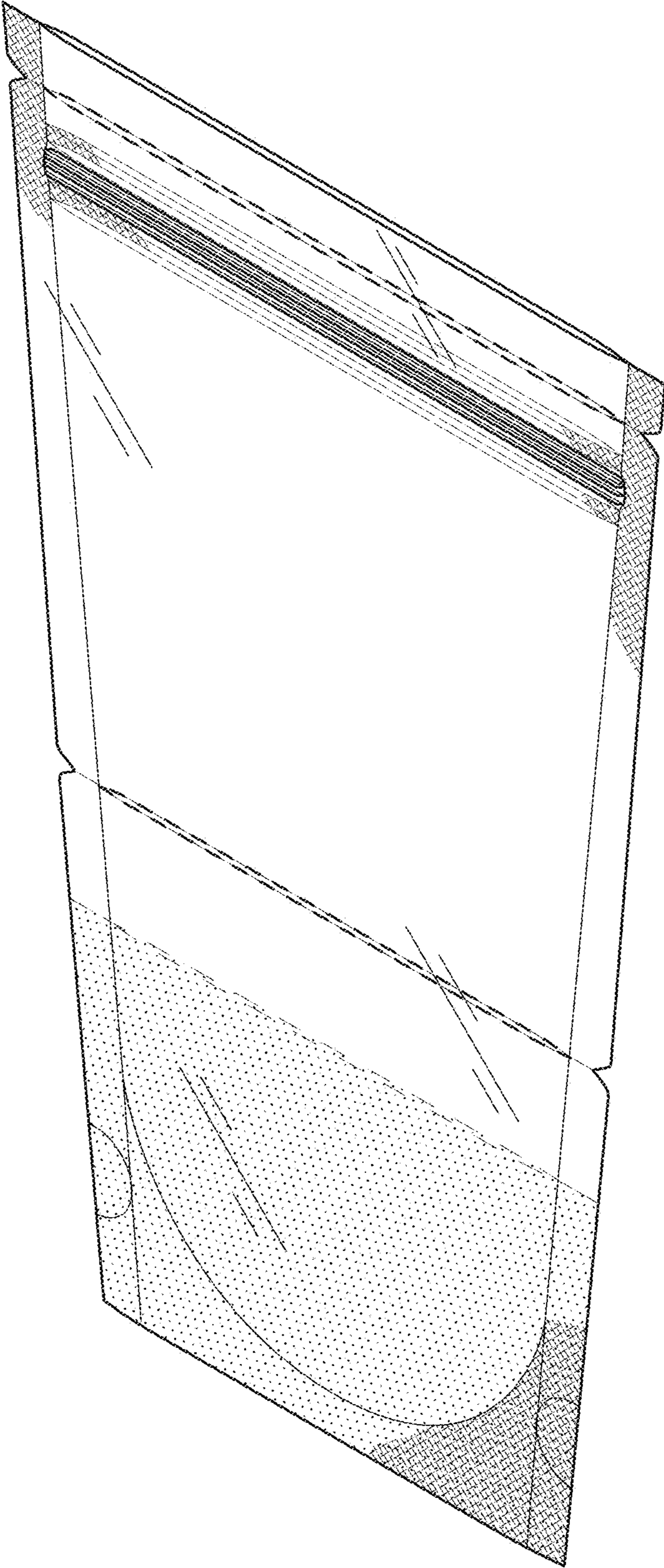


FIG. 1

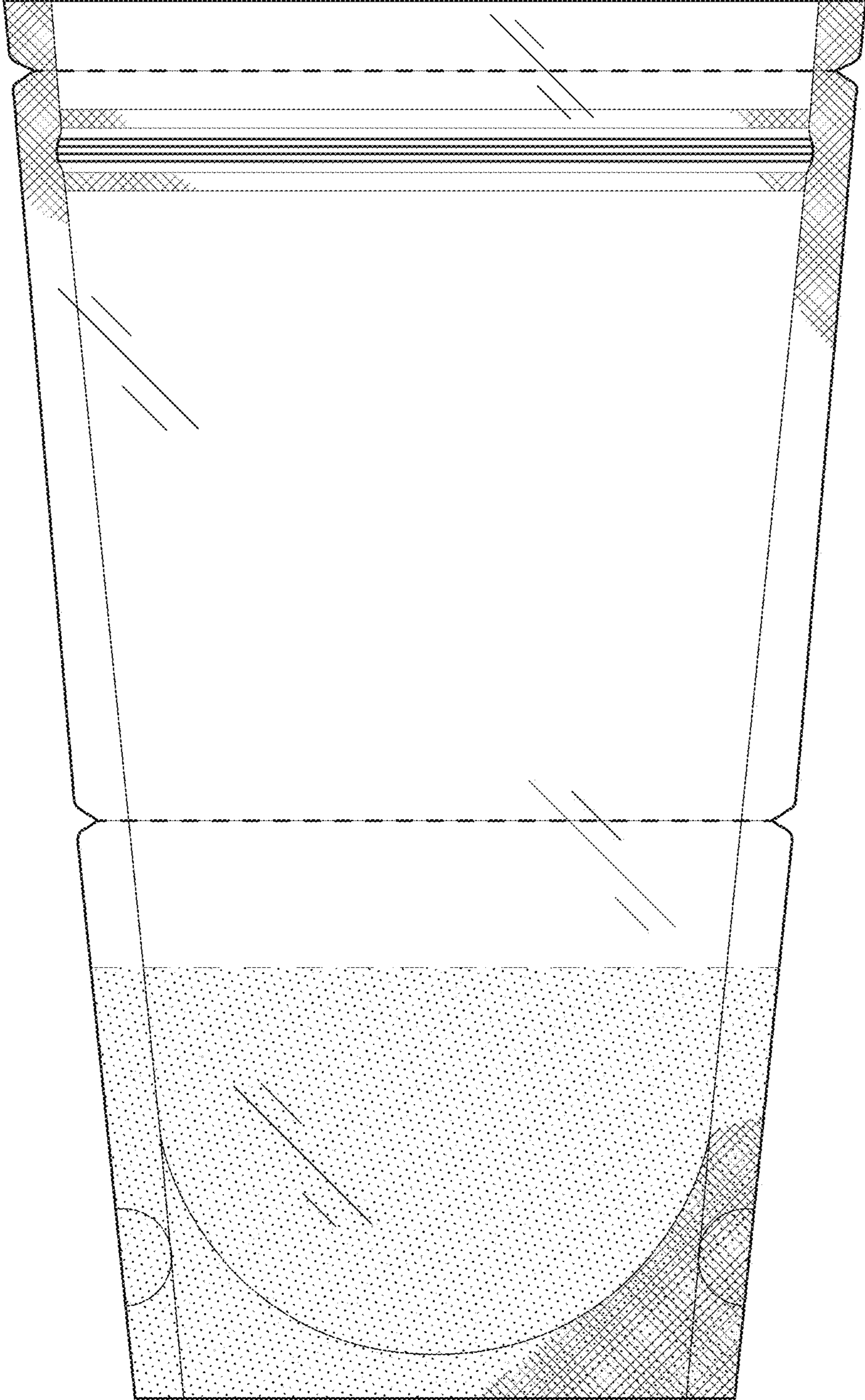


FIG. 2

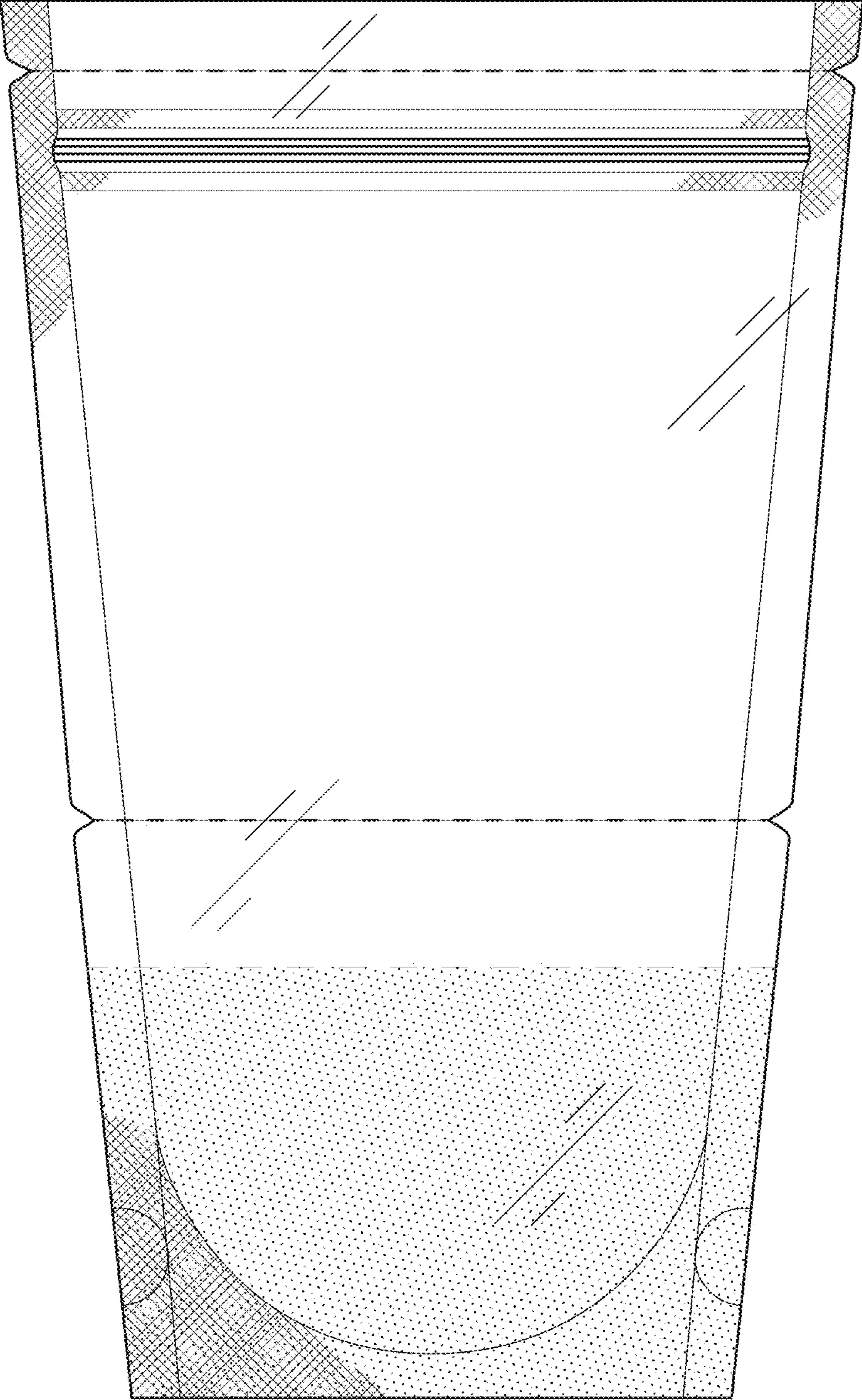


FIG. 3



FIG. 4



FIG. 5



FIG. 6



FIG. 7

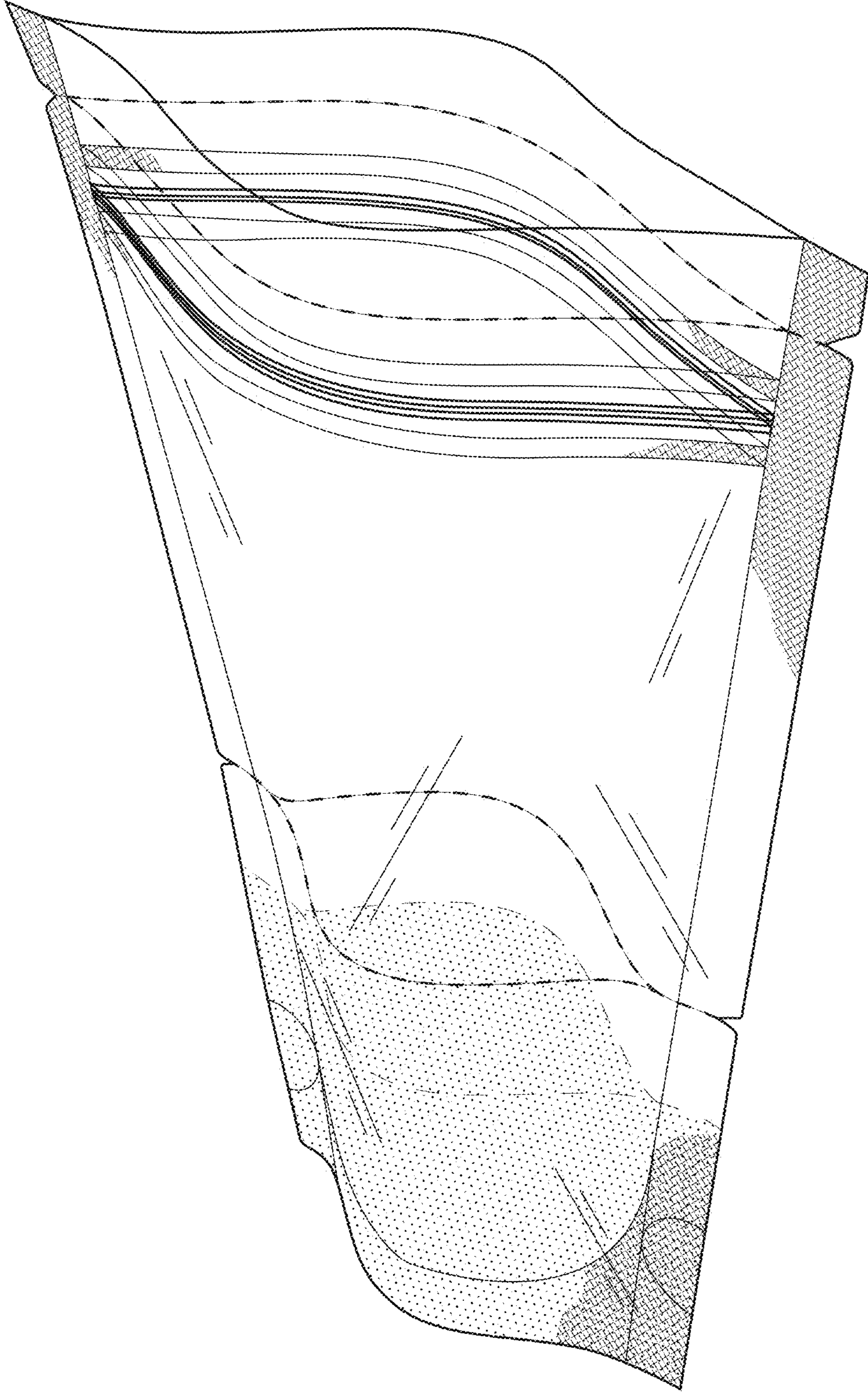


FIG. 8



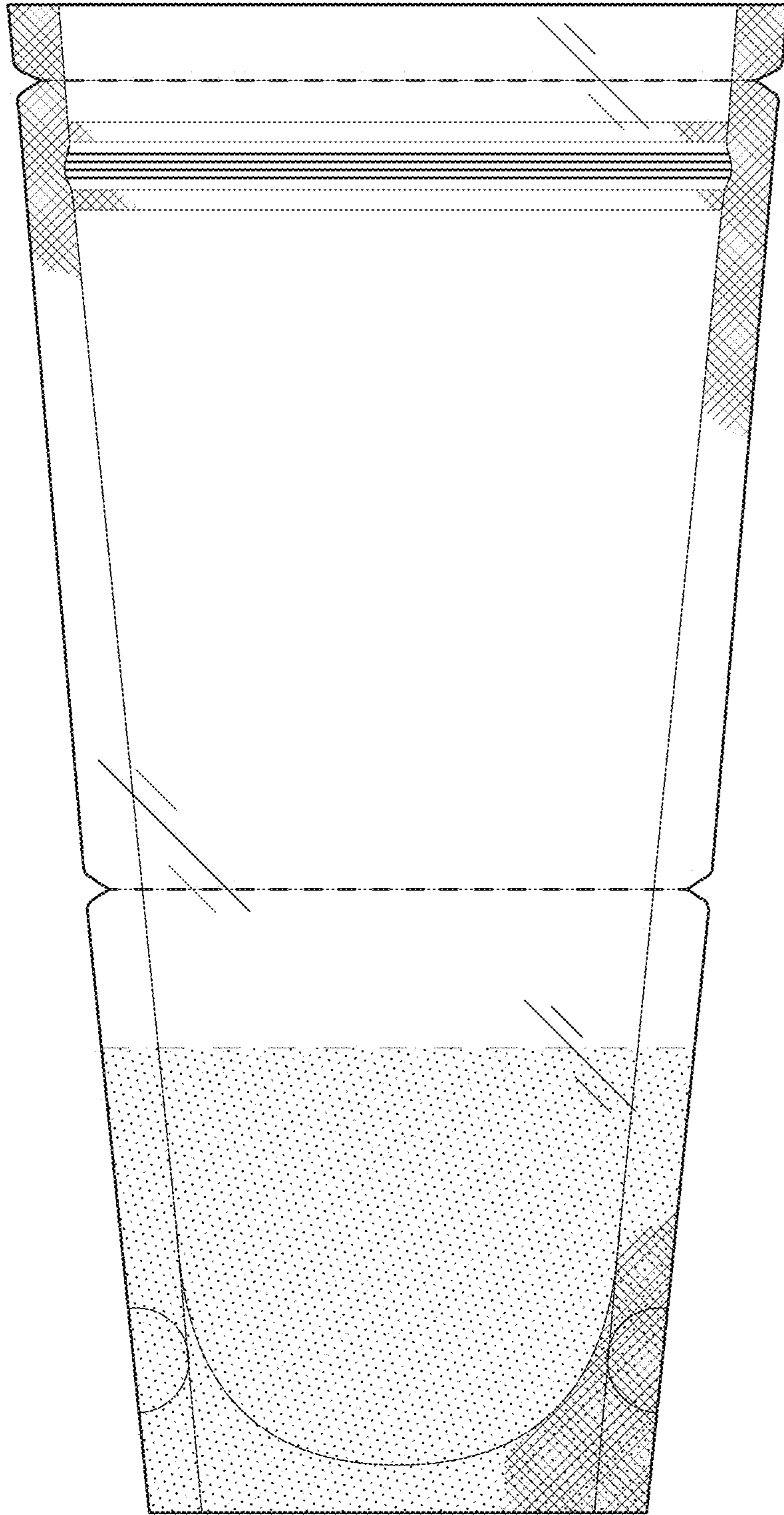


FIG. 9

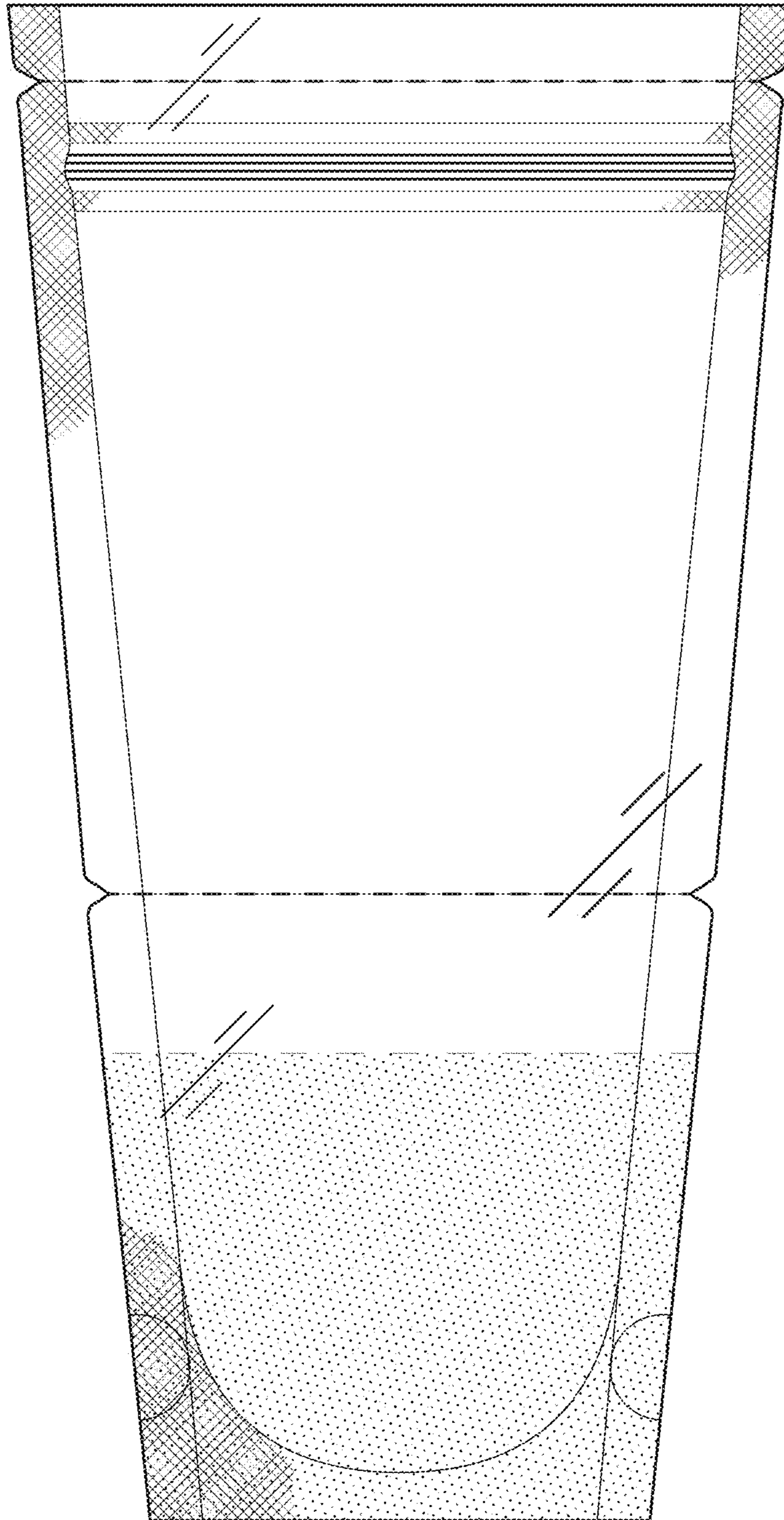


FIG. 10

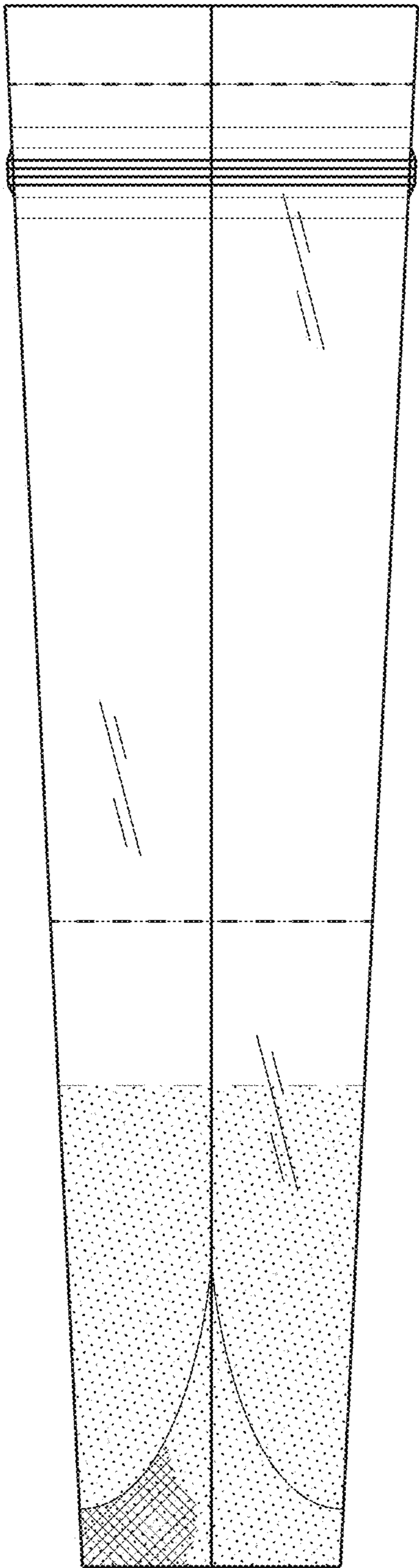


FIG. 11

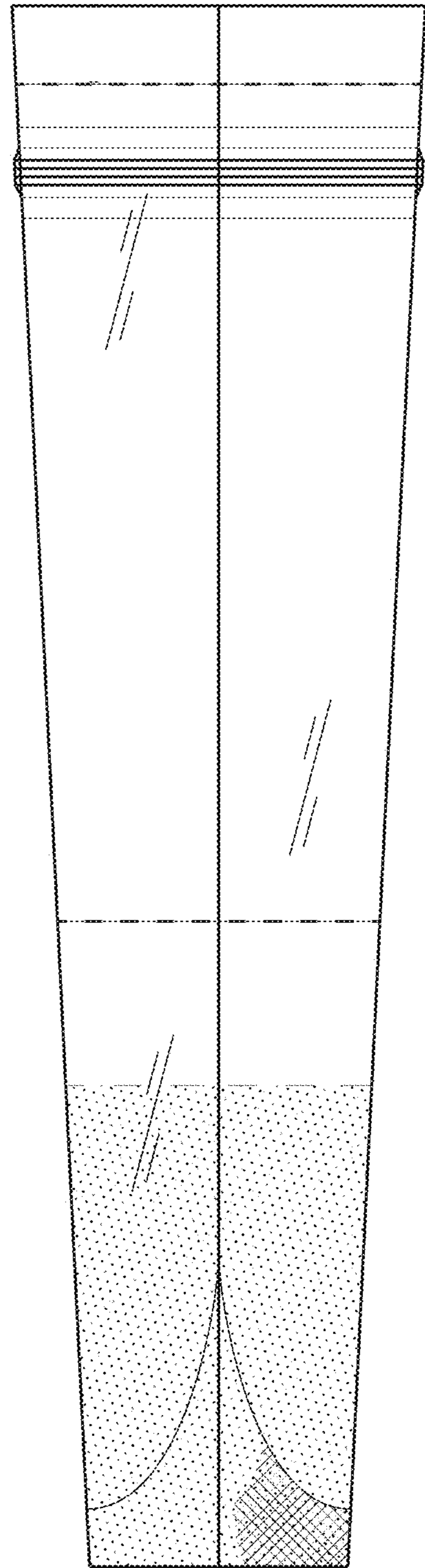


FIG. 12

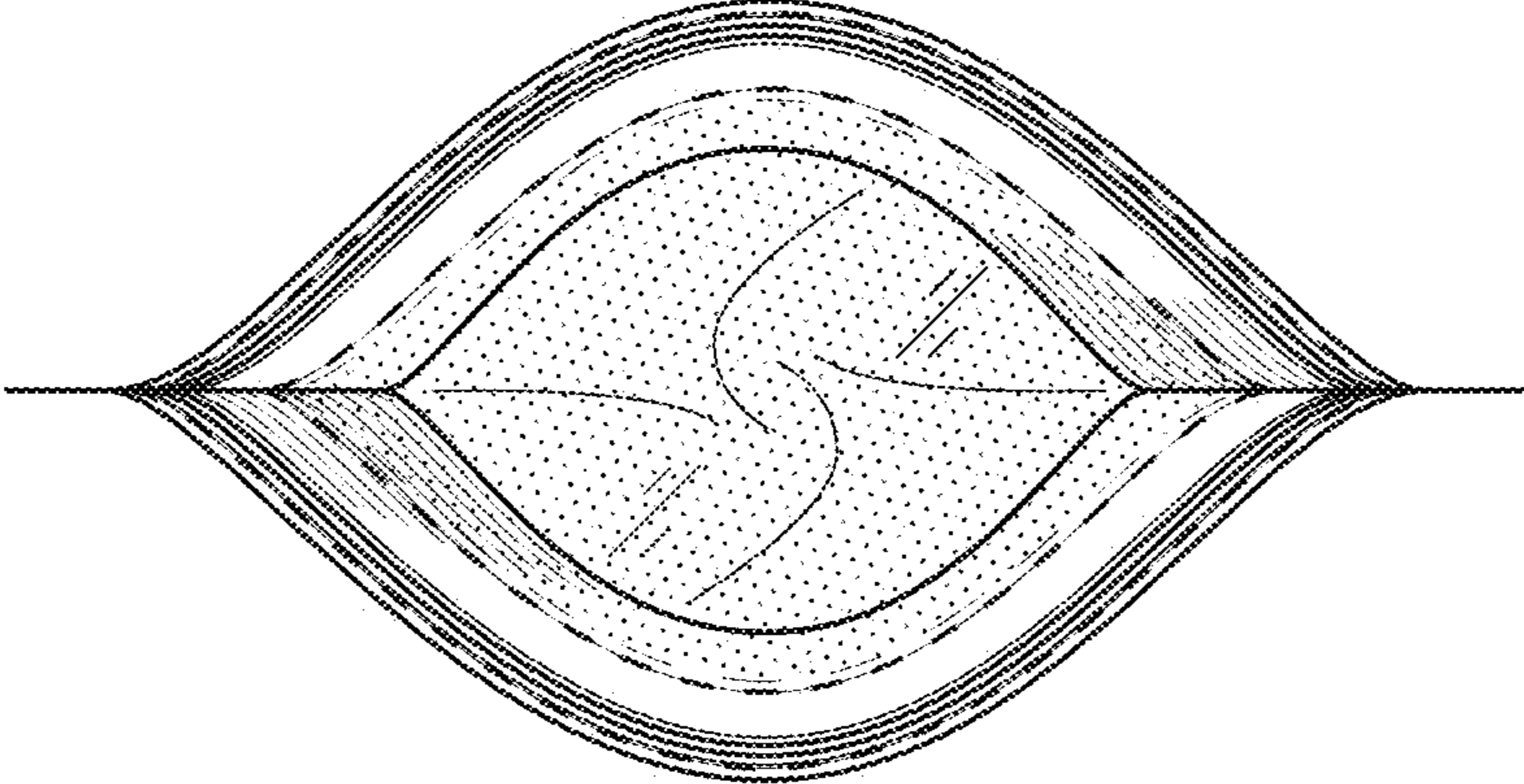


FIG. 13

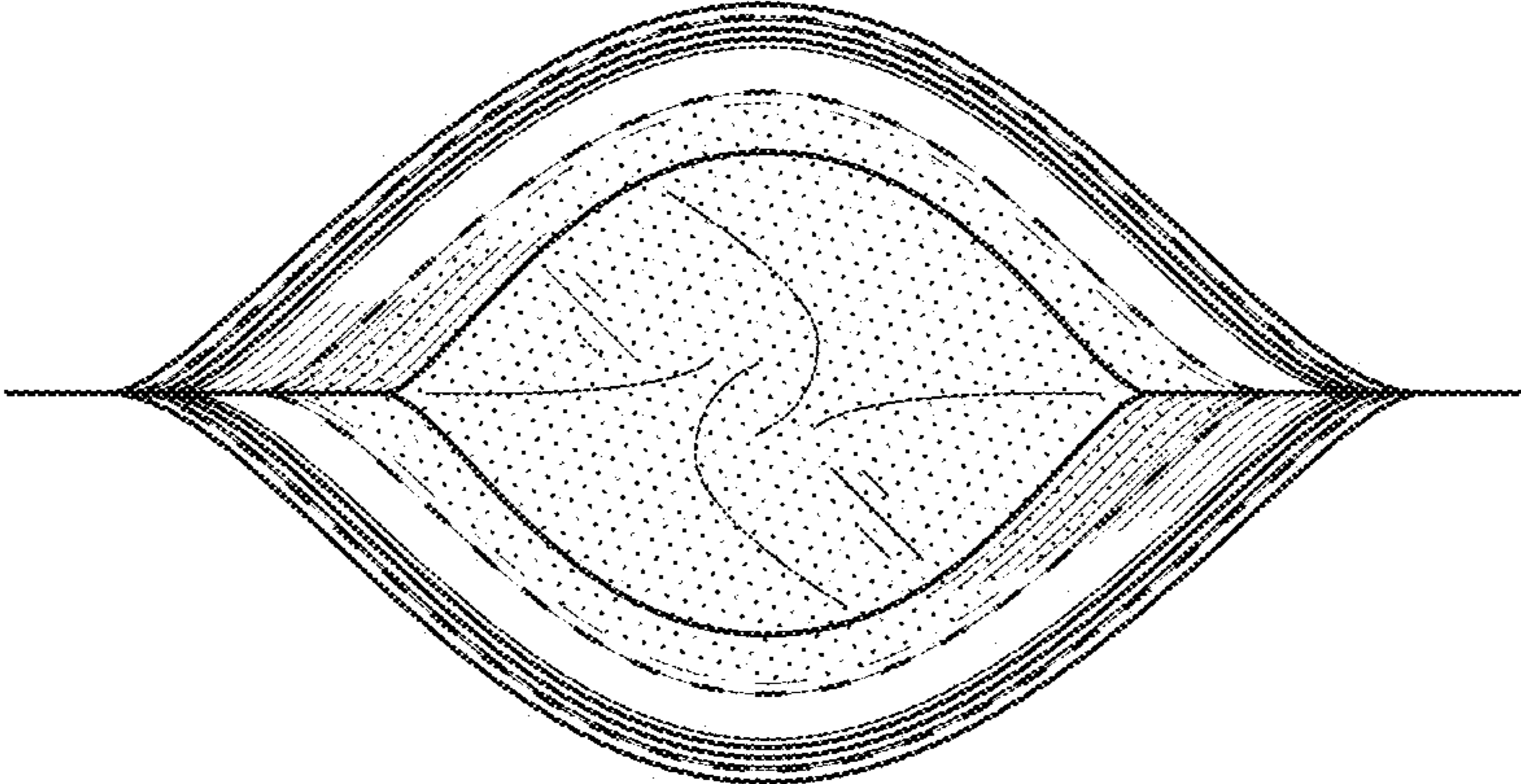


FIG. 14

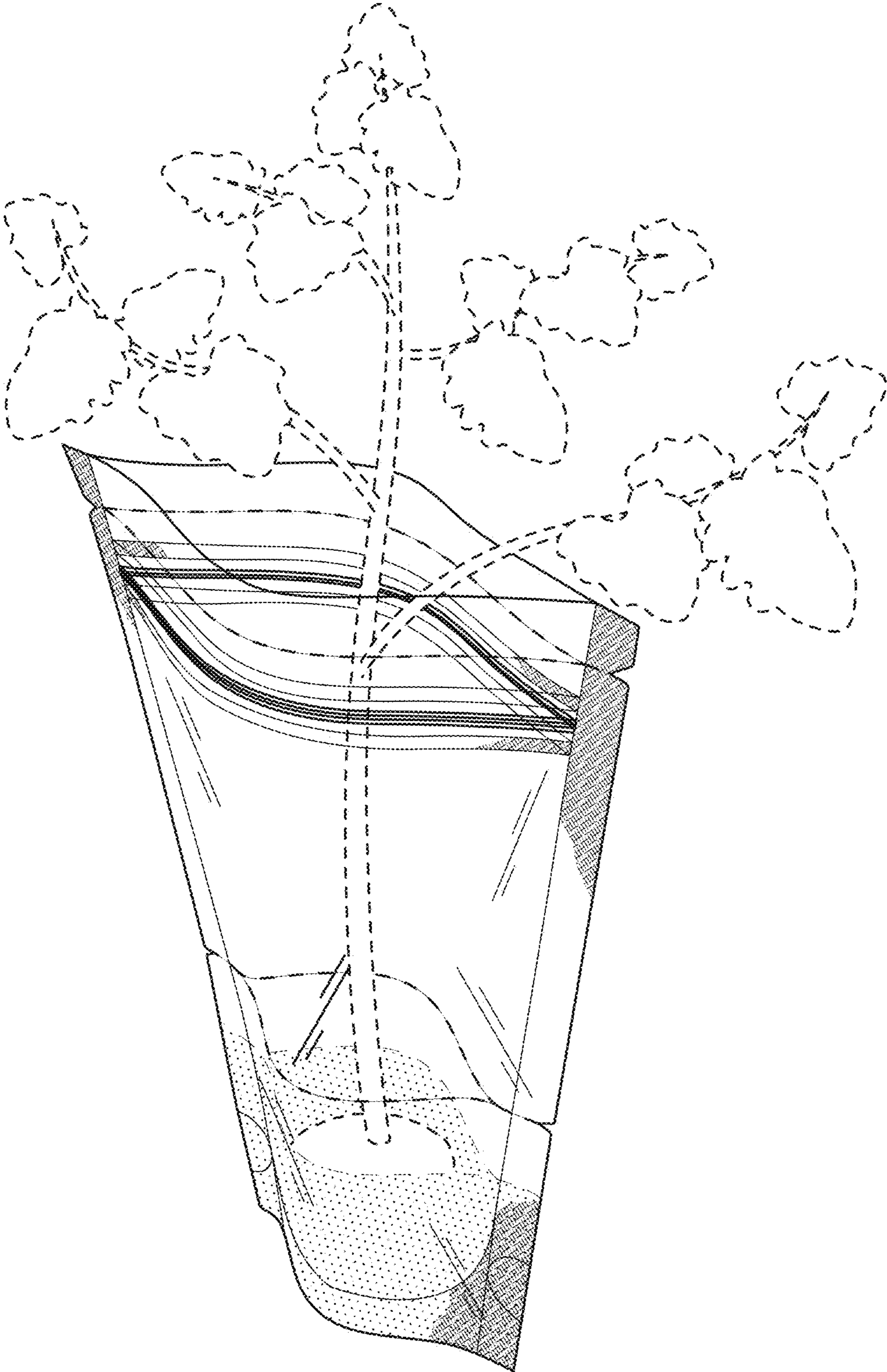


FIG. 15