



US00D971774S

(12) **United States Design Patent**
Yatsugi-Kang

(10) **Patent No.:** **US D971,774 S**

(45) **Date of Patent:** **** Dec. 6, 2022**

(54) **PAIR OF EARRINGS**

(71) Applicant: **Harry Winston SA**, Plan-les-Ouates
(CH)

(72) Inventor: **Rie Yatsugi-Kang**, New York, NY (US)

(73) Assignee: **Harry Winston SA**, Plan-les-Ouates
(CH)

(**) Term: **15 Years**

(21) Appl. No.: **29/797,789**

(22) Filed: **Jul. 2, 2021**

(30) **Foreign Application Priority Data**

Jan. 13, 2021 (WO) WIPO100951

(51) **LOC (13) Cl.** **11-01**

(52) **U.S. Cl.**
USPC **D11/41**

(58) **Field of Classification Search**
USPC ... D11/40-45, 63, 67-69, 75-76, 34, 89, 56
CPC A44C 7/00; A44C 7/001; A44C 7/002;
A44C 7/003; A44C 7/004; A44C 7/005;
A44C 7/006; A44C 7/007; A44C 7/008;
A44C 7/009; A44C 1/00; A44C 17/00;
A44C 17/001; A44C 17/005; A44C
17/007; A44C 17/02; A44C 17/0208

See application file for complete search history.

(56) **References Cited**

U.S. PATENT DOCUMENTS

D178,236 S *	7/1956	Katz	D11/76
D622,173 S *	8/2010	Blad	D11/40
D727,773 S *	4/2015	Kwon	D11/42
D727,774 S *	4/2015	Kwon	D11/43
D747,666 S *	1/2016	Yatsugi-Kang	D11/43
D760,617 S *	7/2016	Kwon	D11/34
D780,024 S *	2/2017	Yatsugi-Kang	D11/34
D820,145 S *	6/2018	Galli	D11/40

D824,276 S *	7/2018	Blotacker	D11/42
D824,278 S *	7/2018	Sallard	D11/91
D875,592 S *	2/2020	O'Connell	D11/1
D875,593 S *	2/2020	Yatsugi-Kang	D11/42
D934,728 S *	11/2021	Wuest	D11/42

FOREIGN PATENT DOCUMENTS

KR 301053547.0000 * 8/2020

OTHER PUBLICATIONS

Diamond Loop By Harry Winston, available 2022, online, site visited Aug. 8, 2022. Available online, URL: https://www.kindpng.com/imgv/Twmimhb_diamond-loop-by-harry-winston-full-motif-yellow/ (Year: 2022).*

Phillips—Van Cleef & Arpels A Pair of Diamond ‘Alhambra’ Earrings, available Jul. 28, 2022. Available online, URL: <https://www.phillips.com/detail/van-cleef-arpels/HK060222/1?fromSearch=earring&searchPage=1> (Year: 2022).*

* cited by examiner

Primary Examiner — W. A. Teddy Falloway

Assistant Examiner — Sarah J Ault

(74) *Attorney, Agent, or Firm* — Blank Rome LLP

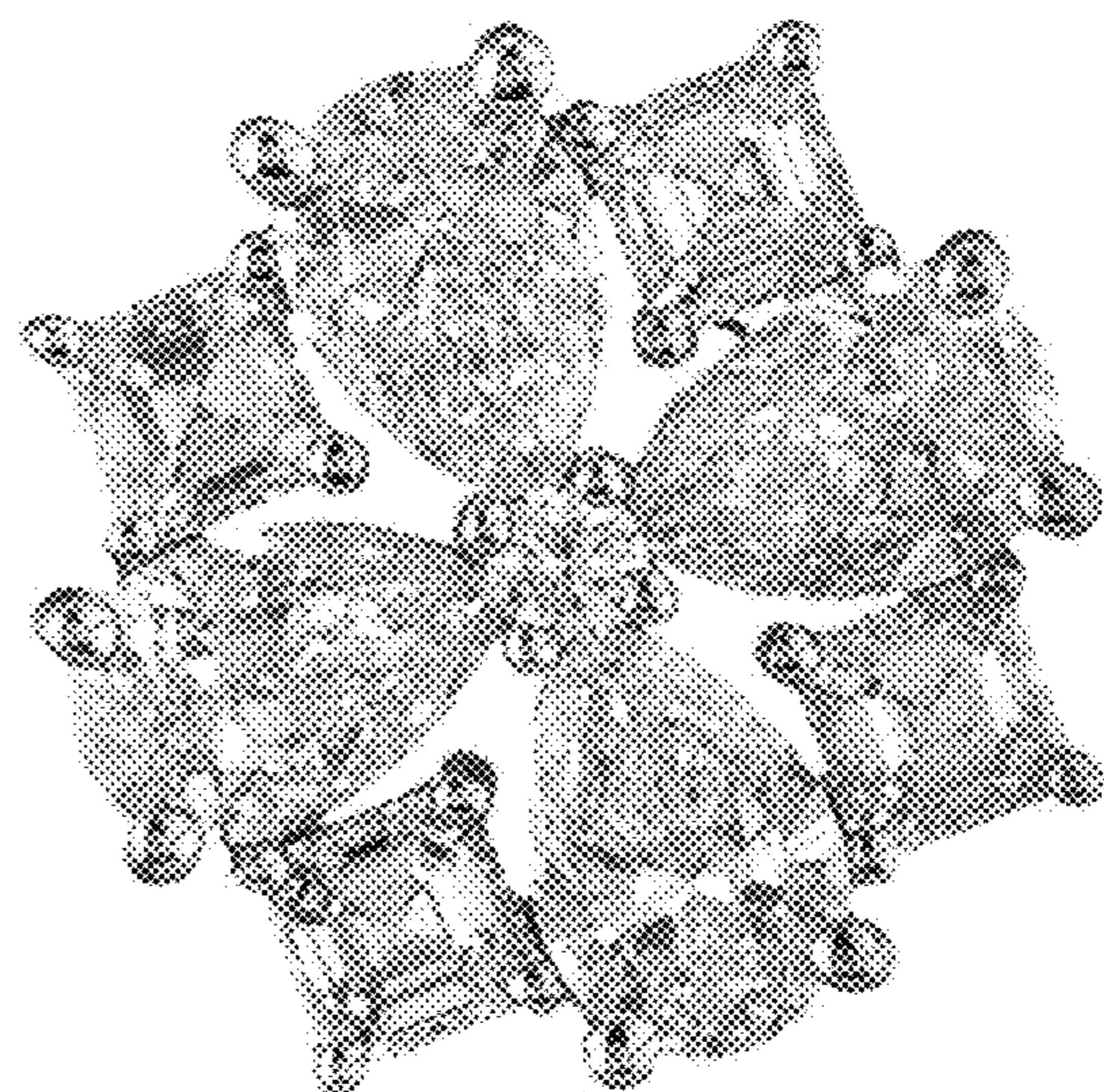
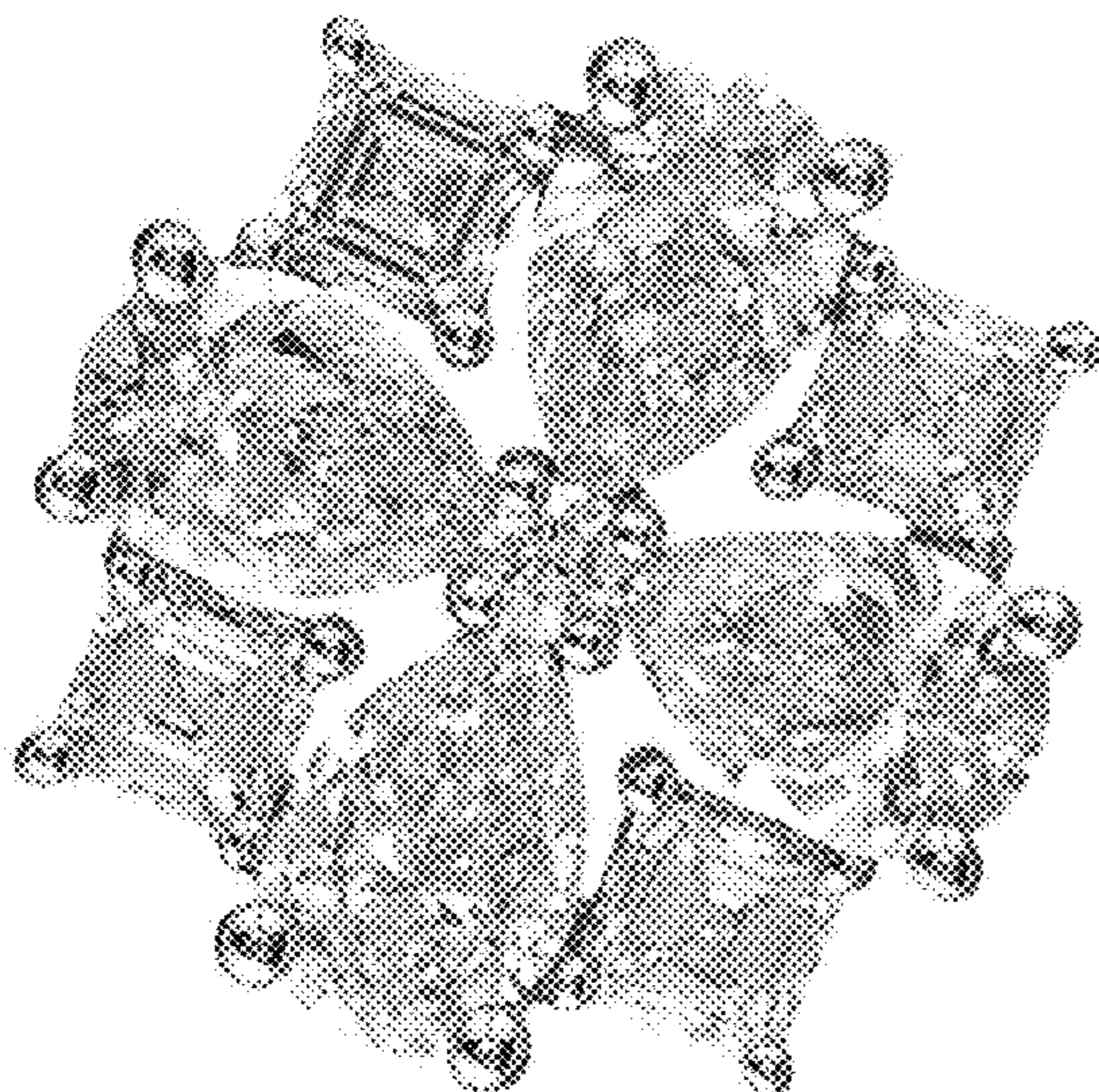
(57) **CLAIM**

The ornamental design for a pair of earrings, as shown and described.

DESCRIPTION

FIG. 1 is a front view of a pair of earrings of my new design; FIG. 2 is a rear perspective view thereof; FIG. 3 is a left side view thereof; FIG. 4 is a right side view thereof; FIG. 5 is a top rear perspective view thereof; FIG. 6 is a bottom rear perspective view thereof; FIG. 7 is a front right perspective view thereof; and, FIG. 8 is a rear left perspective view thereof.

1 Claim, 8 Drawing Sheets



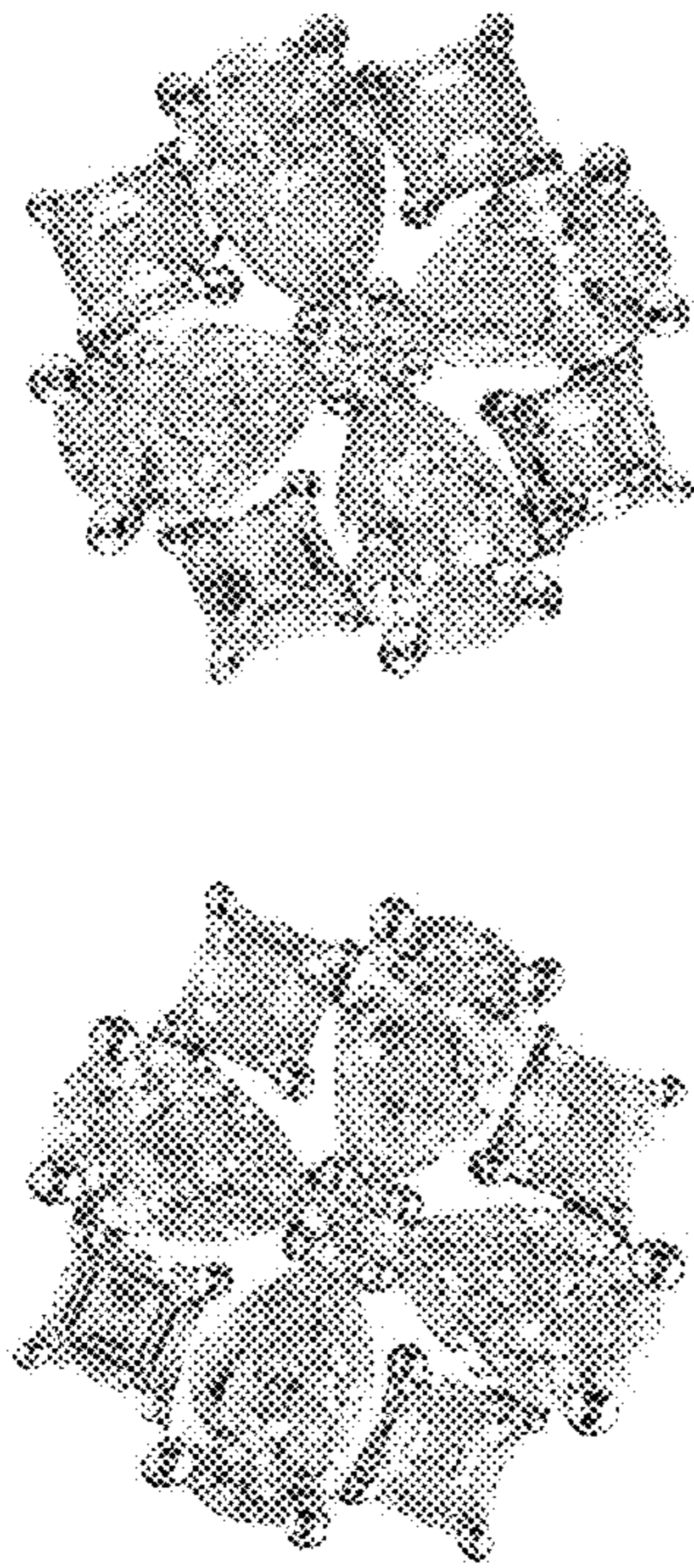


FIG. 1



FIG. 2

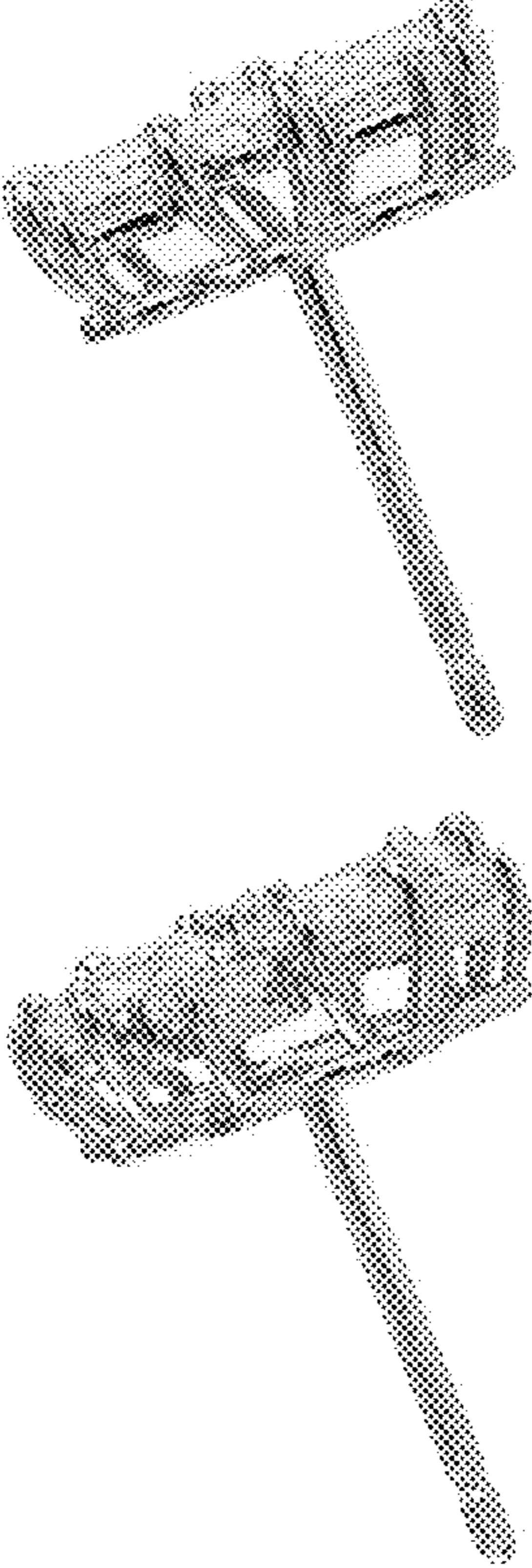


FIG. 3

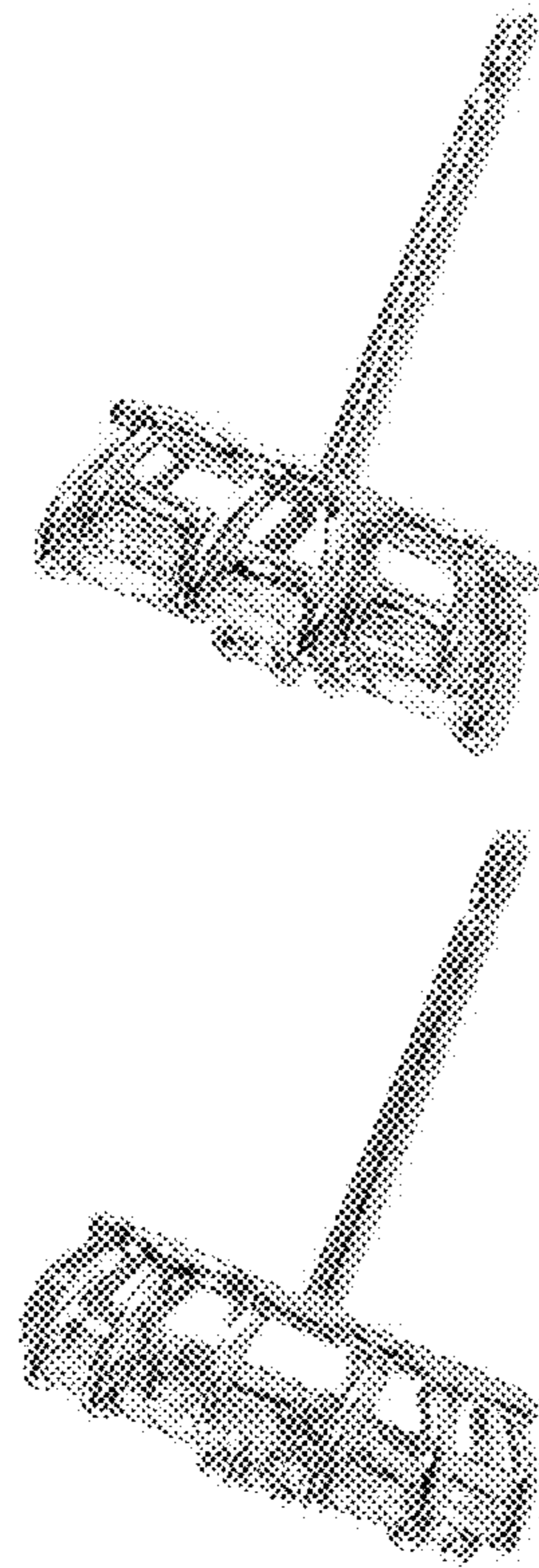


FIG. 4

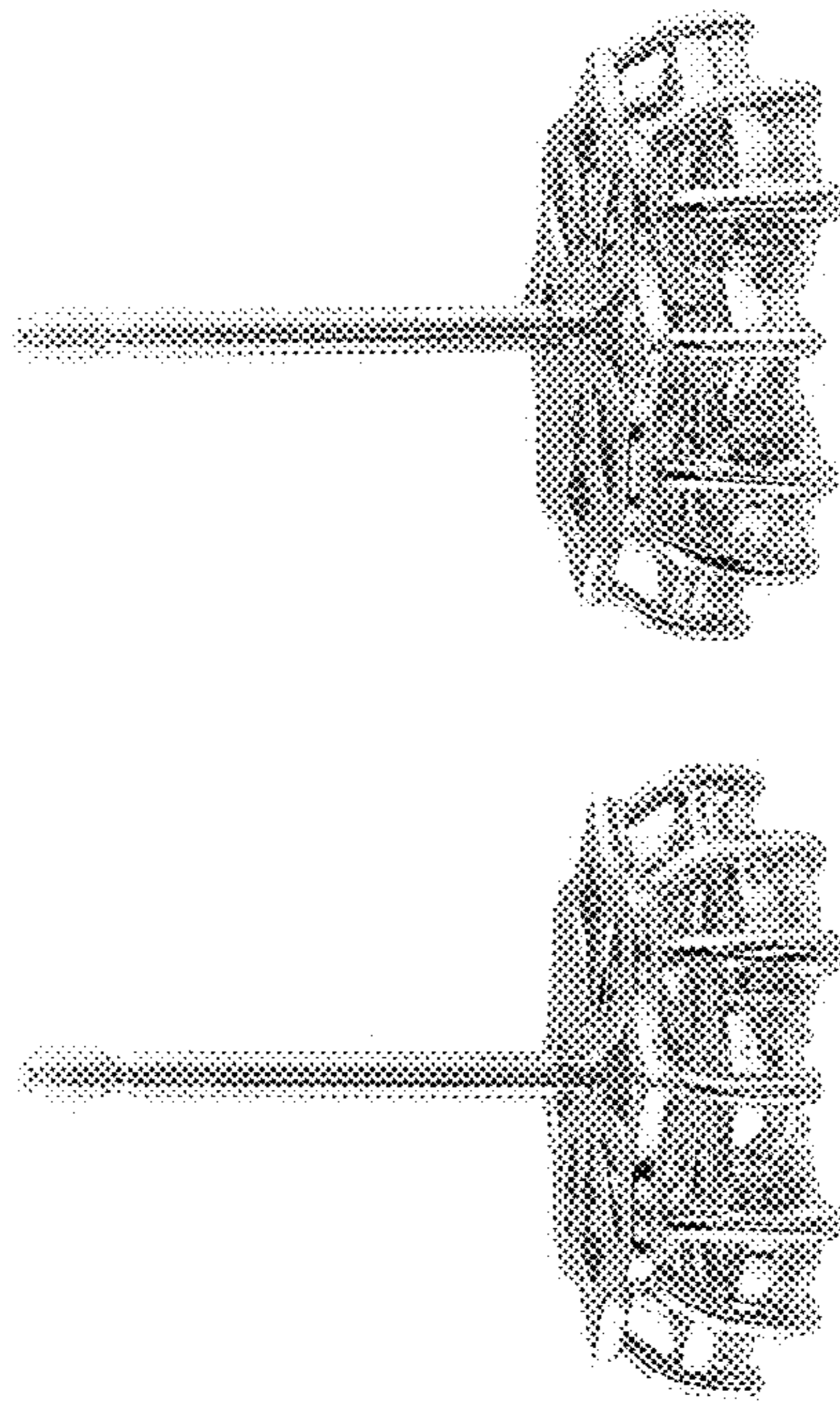


FIG. 5

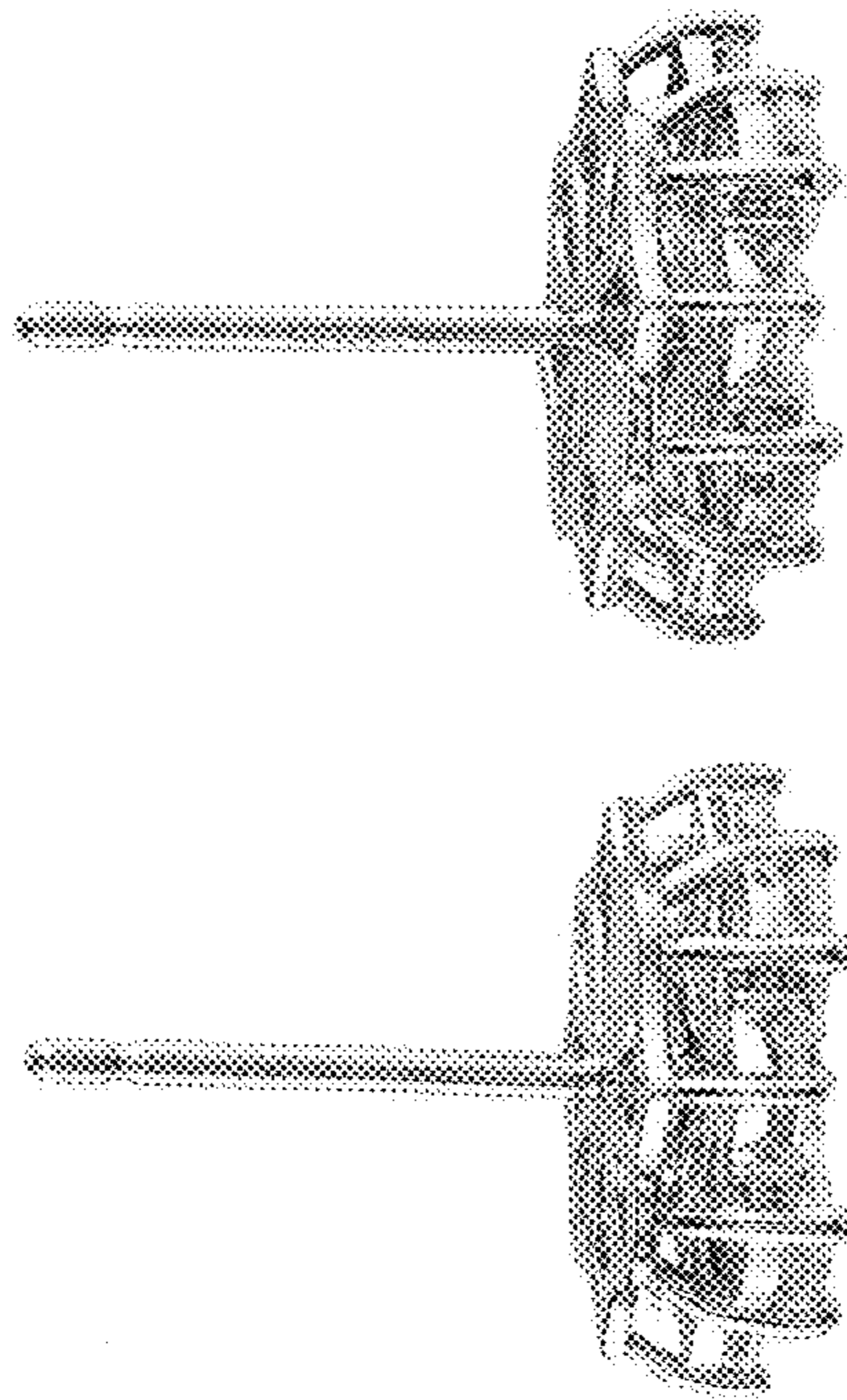


FIG. 6

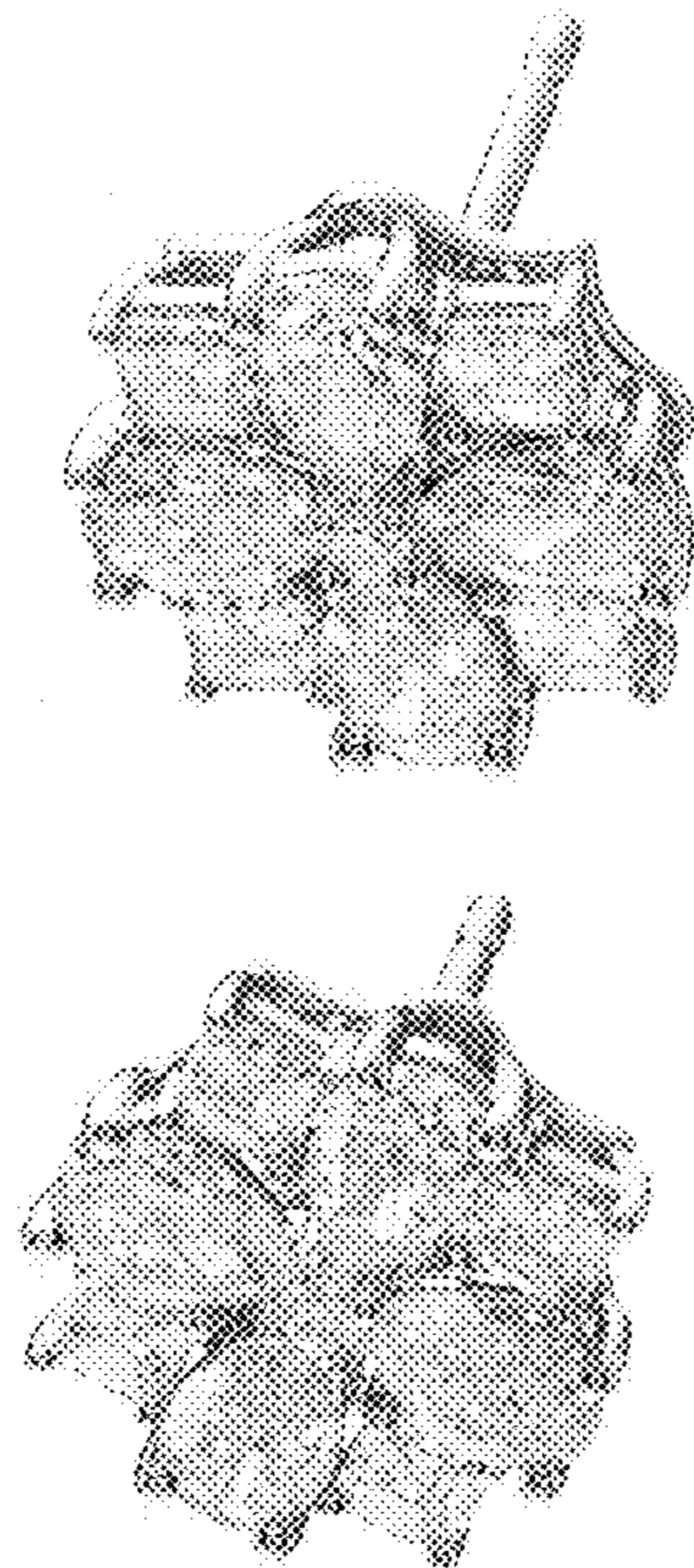


FIG. 7

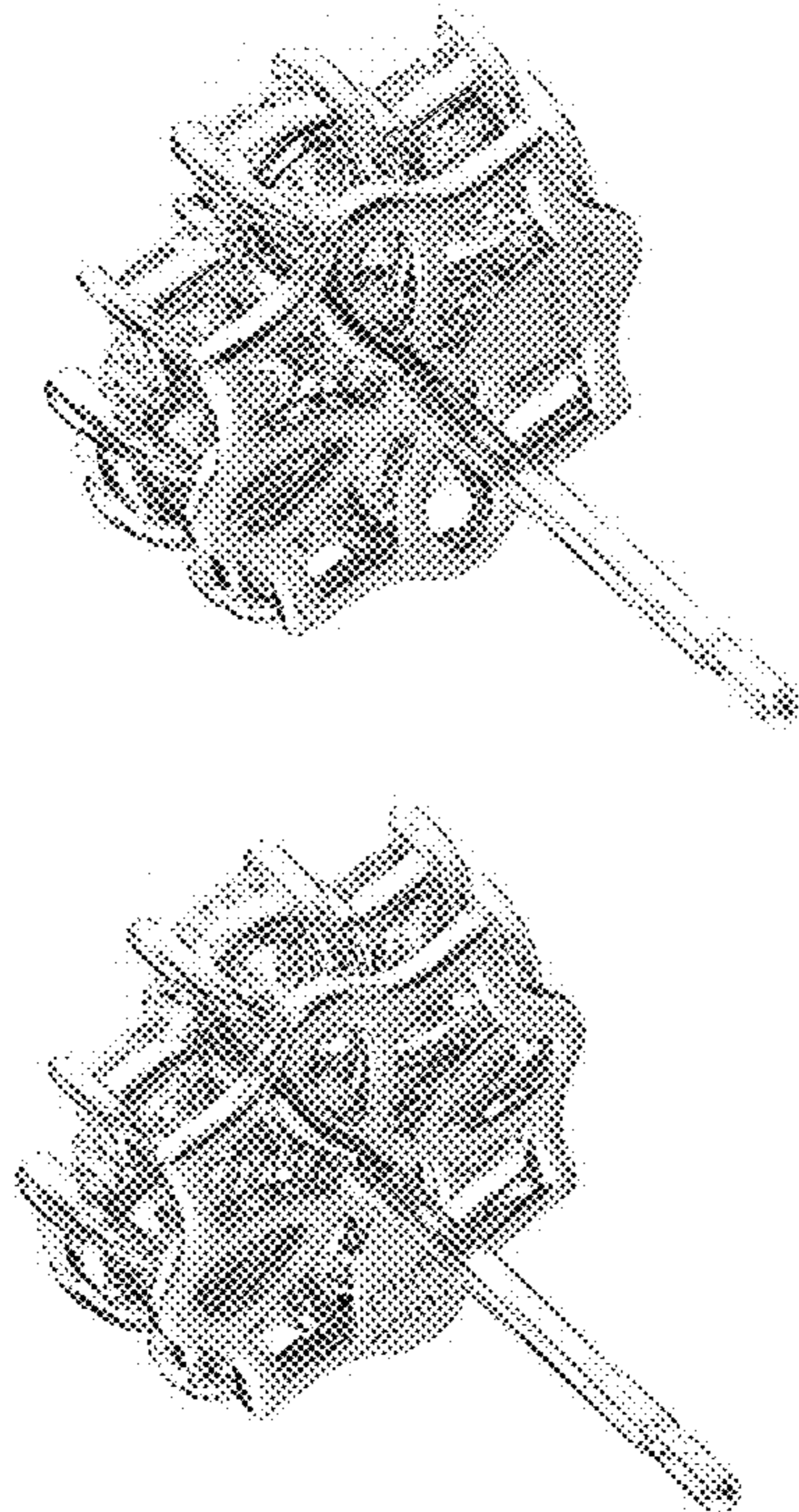


FIG. 8