



US00D971773S

(12) **United States Design Patent** (10) **Patent No.:** **US D971,773 S**
Abdourahim (45) **Date of Patent:** **** Dec. 6, 2022**

(54) **PAIR OF EARRINGS**

(71) Applicant: **Harry Winston SA**, Plan-les-Ouates (CH)

(72) Inventor: **Delphine Abdourahim**, New York, NY (US)

(73) Assignee: **Harry Winston SA**, Plan-les-Ouates (CH)

(**) Term: **15 Years**

(21) Appl. No.: **29/767,840**

(22) Filed: **Jan. 26, 2021**

(30) **Foreign Application Priority Data**

Jul. 30, 2020 (WO) WIPO96746

(51) **LOC (13) Cl.** **11-01**

(52) **U.S. Cl.**
USPC **D11/41**

(58) **Field of Classification Search**
USPC ... D11/40-45, 63, 67-69, 75-76, 34, 89, 56
CPC A44C 7/00; A44C 7/001; A44C 7/002;
A44C 7/003; A44C 7/004; A44C 7/005;
A44C 7/006; A44C 7/007; A44C 7/008;
A44C 7/009; A44C 1/00; A44C 17/00;
A44C 17/001; A44C 17/005; A44C
17/007; A44C 17/02; A44C 17/0208

See application file for complete search history.

(56) **References Cited**

U.S. PATENT DOCUMENTS

537,710 A * 4/1895 Oppenheimer A44C 17/02
63/28
D156,889 S * 1/1950 Katz D11/76
D166,566 S * 4/1952 Philippe D11/76
D171,406 S * 2/1954 Katz D11/76
D175,082 S * 7/1955 Katz D11/76
D176,675 S * 1/1956 Katz D11/16

D176,676 S * 1/1956 Katz D11/16
D178,236 S * 7/1956 Katz D11/76
D180,905 S * 9/1957 Katz D11/76
D390,151 S * 2/1998 Blum D11/40
D647,817 S * 11/2011 Kothari D11/40
D747,664 S * 1/2016 Yatsugi-Kang D11/34
D753,013 S * 4/2016 Riviere D11/79
D763,720 S * 8/2016 Yatsugi-Kang D11/40
D779,361 S * 2/2017 Yatsugi-Kang D11/7

(Continued)

FOREIGN PATENT DOCUMENTS

CN 306759707 * 8/2021

OTHER PUBLICATIONS

Sapphire and Diamond Cluster Earrings, available 1890, online, site visited Jul. 28, 2022. Available online, URL: https://www.1stdibs.com/jewelry/earrings/lever-back-earrings/sapphire-diamond-cluster-earrings-circa-1890/id-j_13027662/ (Year: 1890).*

(Continued)

Primary Examiner — W. A. Teddy Falloway

Assistant Examiner — Sarah J Ault

(74) *Attorney, Agent, or Firm* — Blank Rome LLP

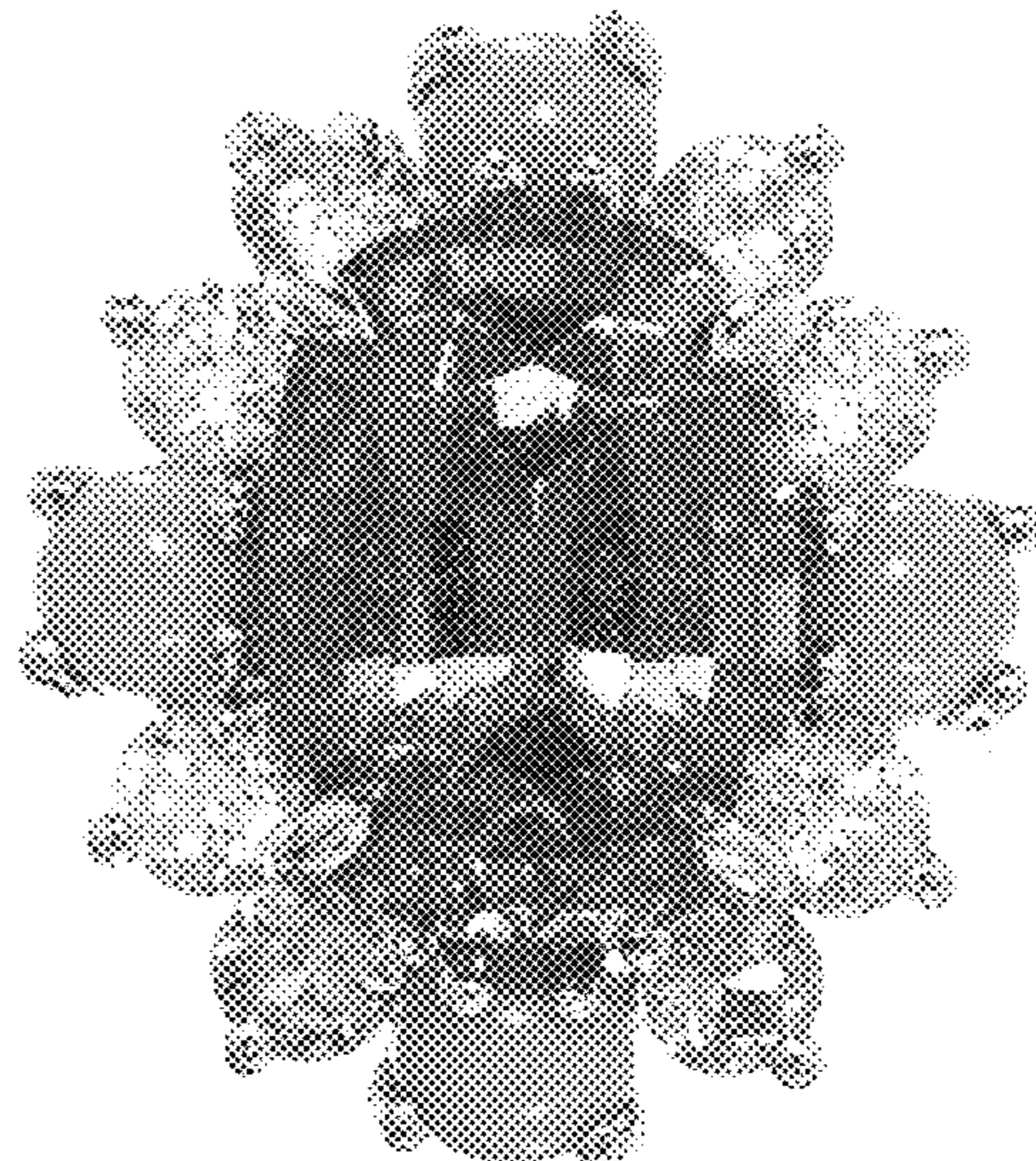
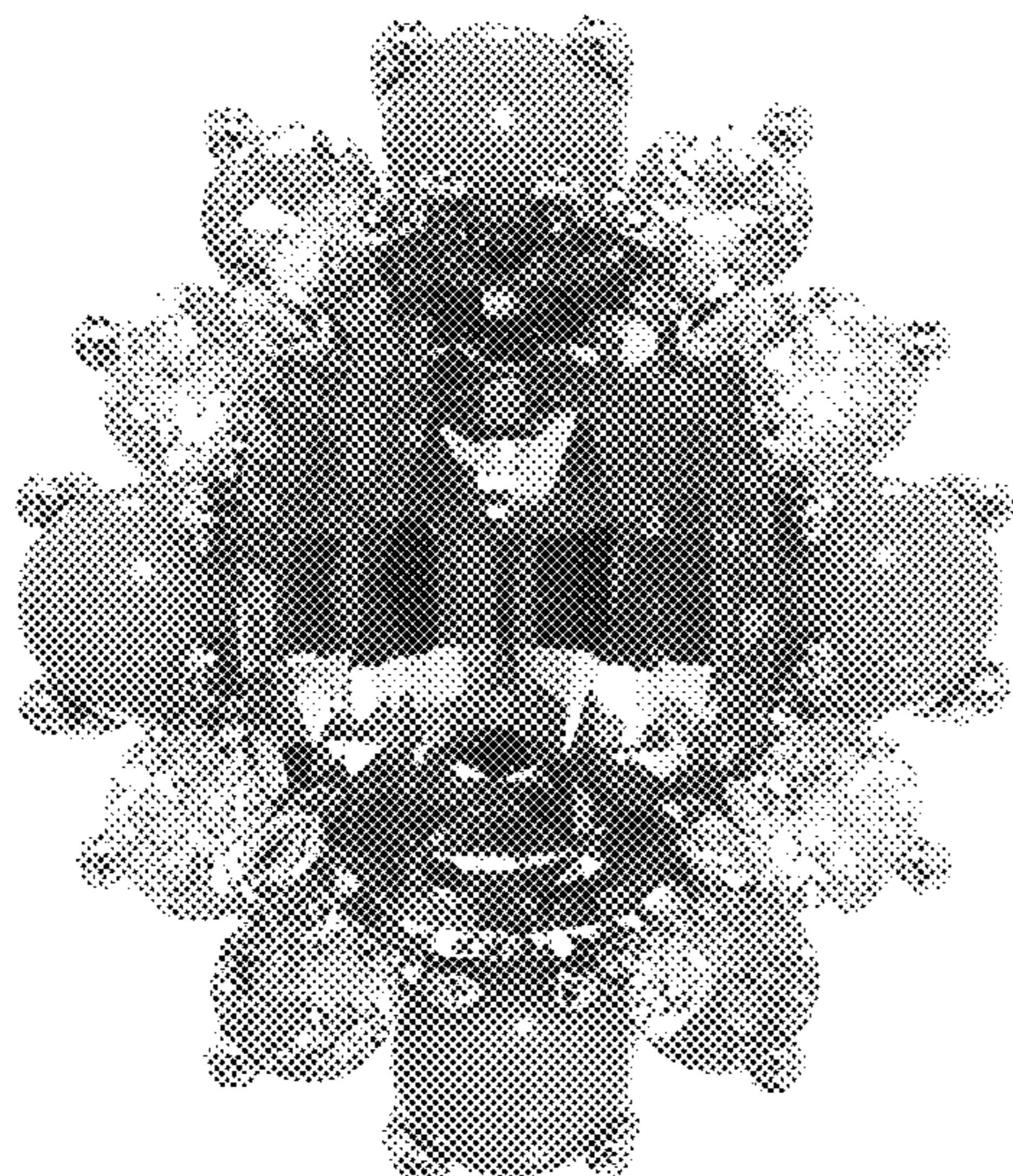
(57) **CLAIM**

The ornamental design for a pair of earrings, as shown and described.

DESCRIPTION

FIG. 1 is a front view of a pair of earrings of my new design;
FIG. 2 is a rear view thereof;
FIG. 3 is a right side view thereof;
FIG. 4 is a left side view thereof;
FIG. 5 is a top rear perspective view thereof;
FIG. 6 is a bottom rear perspective view thereof;
FIG. 7 is a front right perspective view thereof; and,
FIG. 8 is a rear left perspective view thereof.

1 Claim, 8 Drawing Sheets



(56)

References Cited

U.S. PATENT DOCUMENTS

D780,023	S	*	2/2017	Yatsugi-Kang	D11/34
D780,024	S	*	2/2017	Yatsugi-Kang	D11/34
D782,934	S	*	4/2017	Riviere	D11/42
D783,441	S	*	4/2017	Yatsugi-Kang	D11/34
D858,341	S	*	9/2019	Chen	D11/40
D875,593	S	*	2/2020	Yatsugi-Kang	D11/42
D876,272	S	*	2/2020	Yatsugi-Kang	D11/34
D886,657	S	*	6/2020	Yatsugi-Kang	D11/7
D913,115	S	*	3/2021	Dominguez	D10/32
D934,728	S	*	11/2021	Wuest	D11/42
D934,729	S	*	11/2021	Yatsugi-Kang	D11/42
D942,299	S	*	2/2022	Abdourahim	D11/7
D944,112	S	*	2/2022	Yatsugi-Kang	D11/34
D945,911	S	*	3/2022	Yatsugi-Kang	D11/34
D946,451	S	*	3/2022	Riviere	D11/34
D946,457	S	*	3/2022	Kwon	D11/34
D953,917	S	*	6/2022	Kwon	D11/34
D953,920	S	*	6/2022	Riviere	D11/34
D953,921	S	*	6/2022	Yatsugi-Kang	D11/34

OTHER PUBLICATIONS

A Pair Vintage of Sapphire and Diamond Cluster Earrings, available 1950, online, site visited Jul. 28, 2022. Available online, URL: https://www.1stdibs.com/jewelry/earrings/drop-earrings/pair-vintage-sapphire-diamond-cluster-earrings/id-j_11186332/ (Year: 1950).*

A Pair of Colored Diamond and Diamond Ear Clips By Harry Winston, available Apr. 11, 2011, online, site visited Jul. 28, 2022. Available online, URL: <https://www.christies.com/lot/lot-5423113> (Year: 2011).*

* cited by examiner

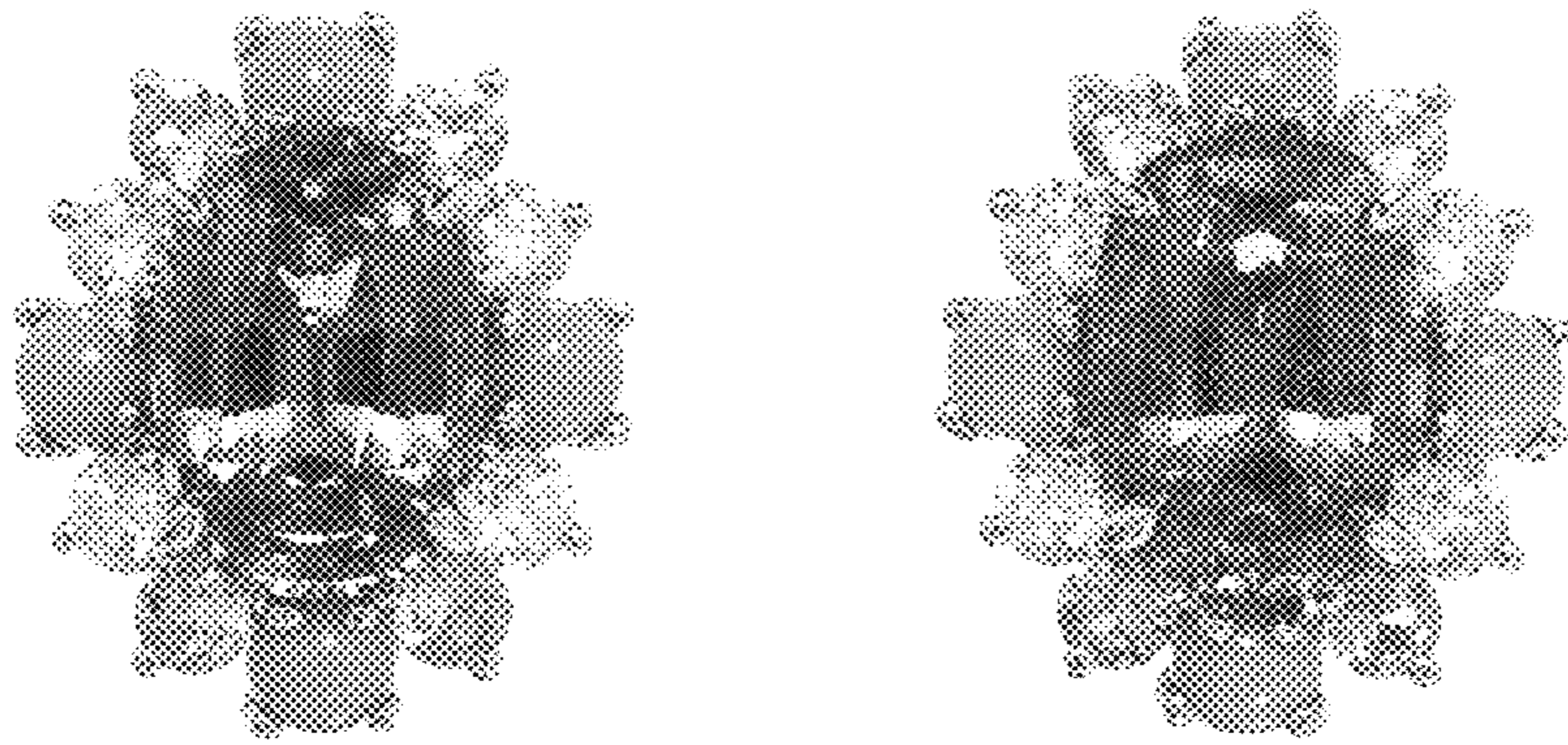


FIG. 1

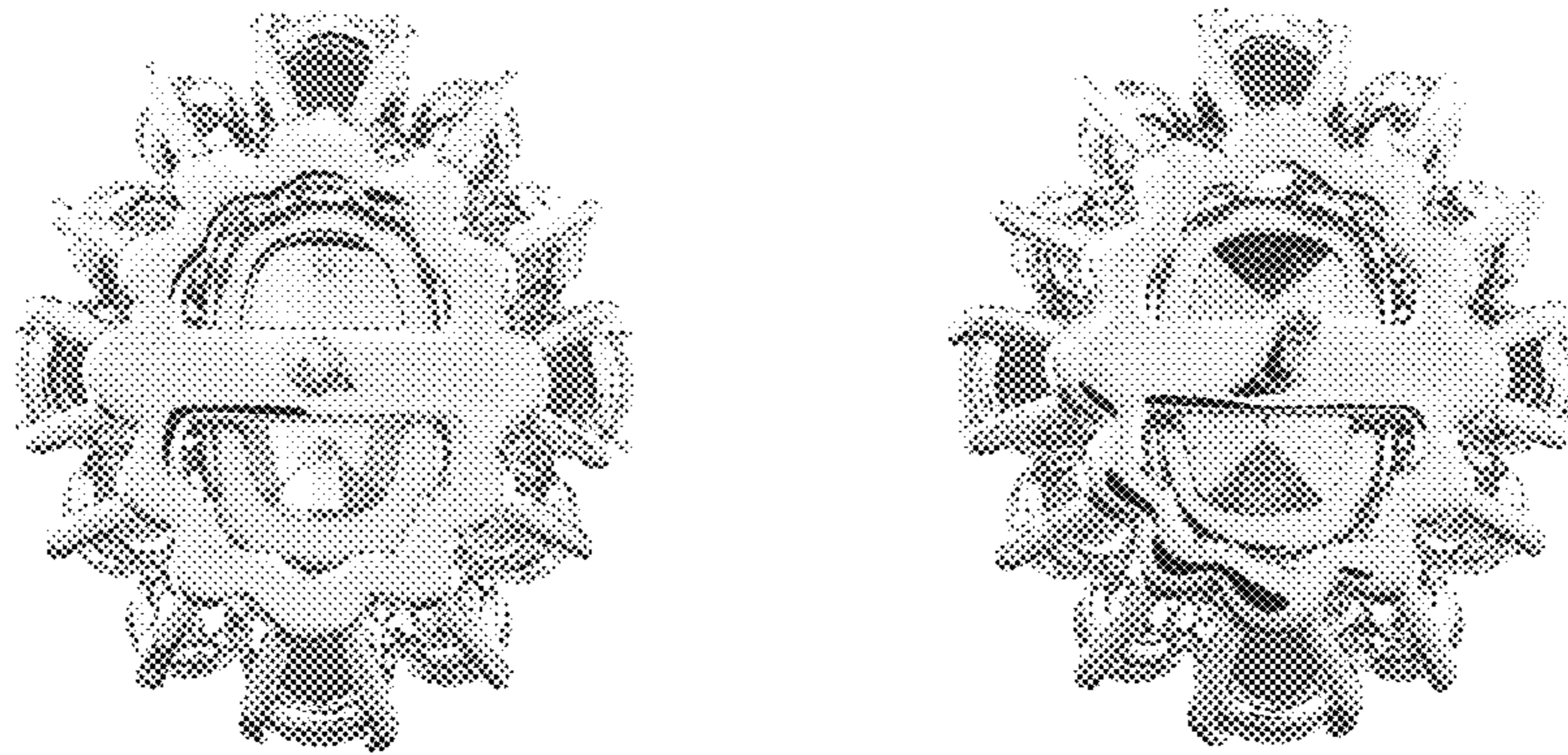


FIG. 2

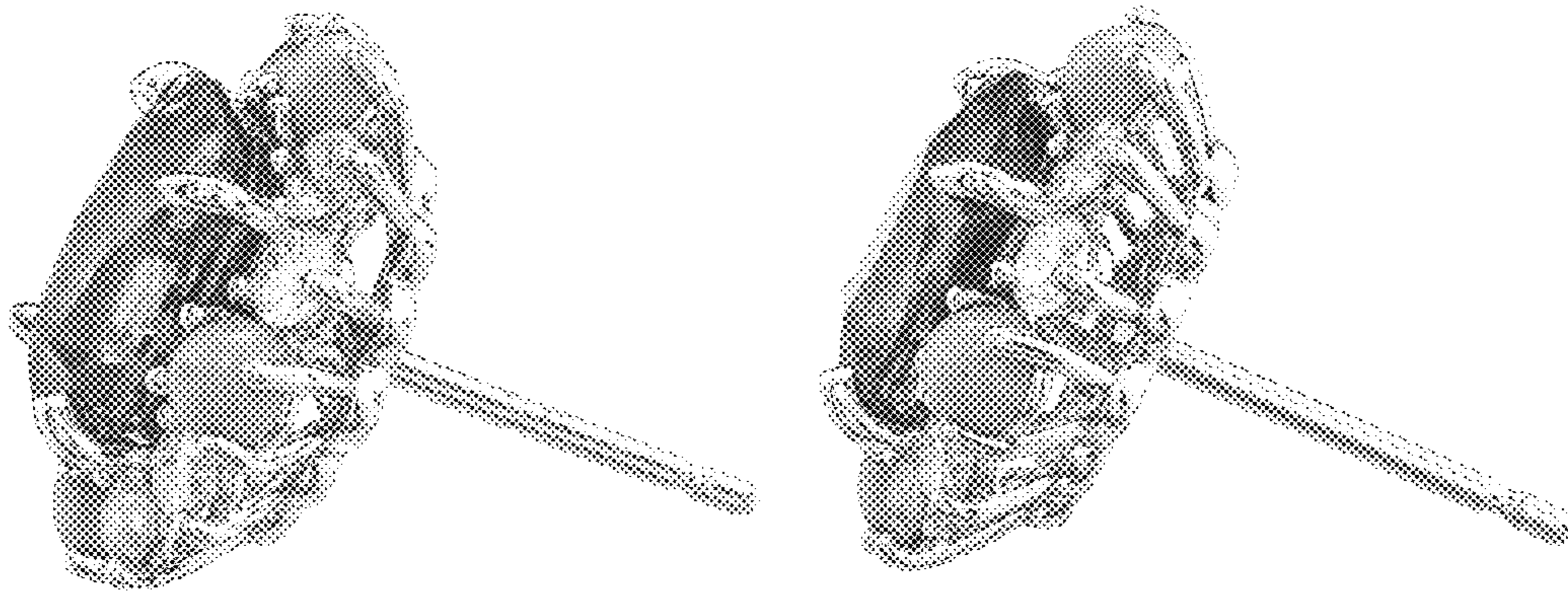


FIG. 3

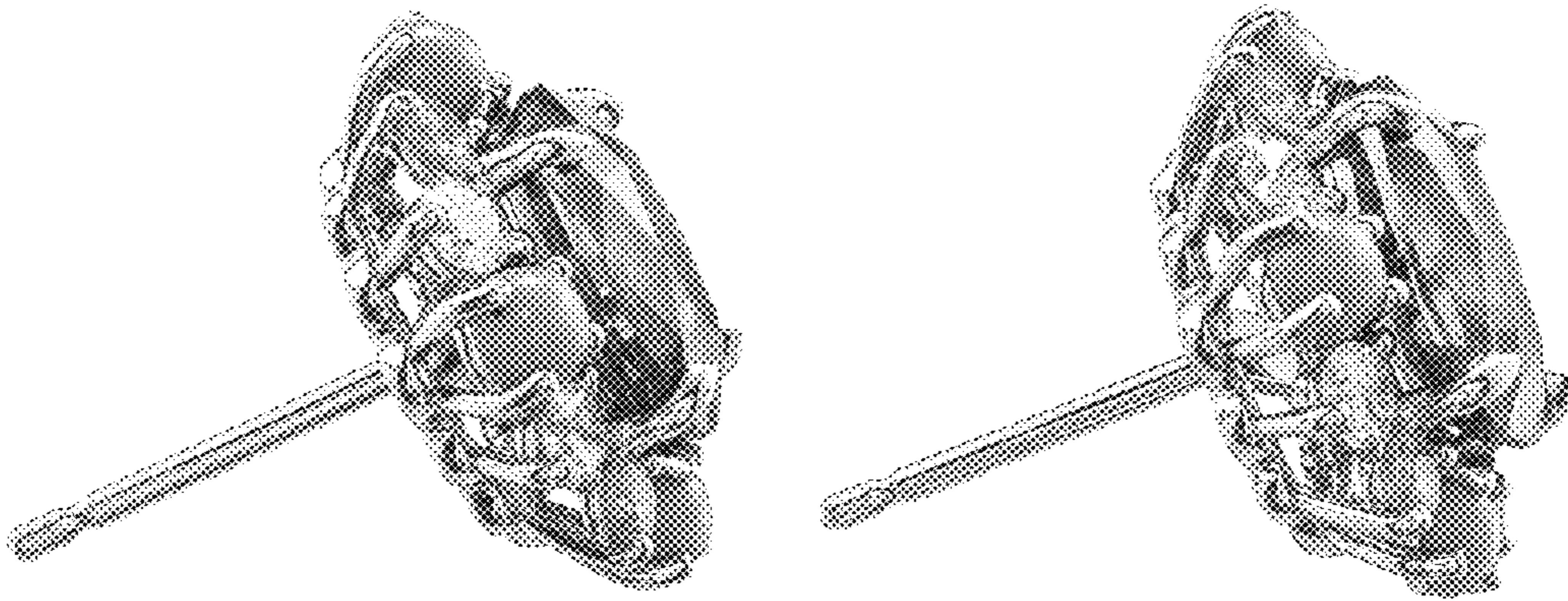


FIG. 4

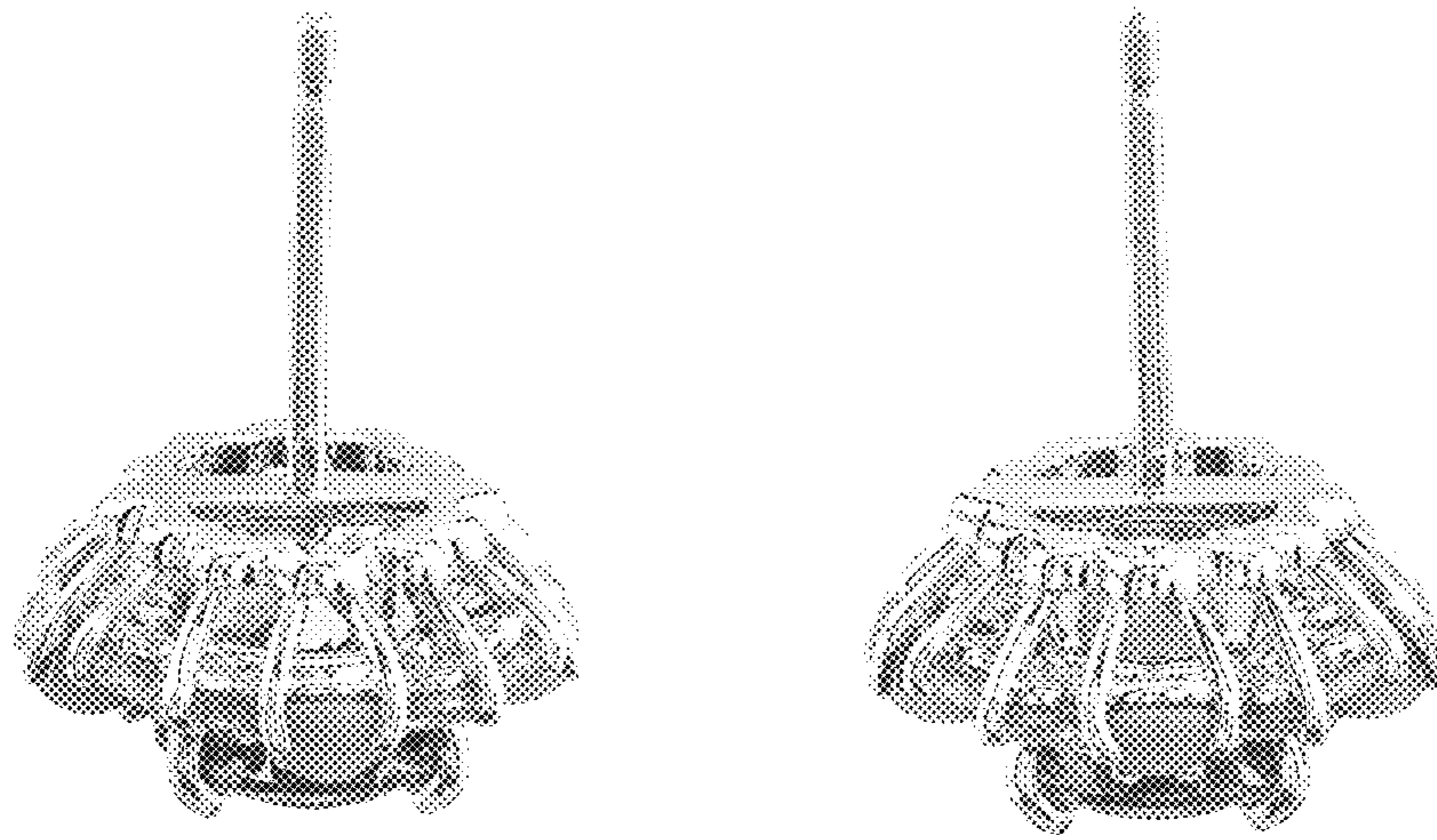


FIG. 5

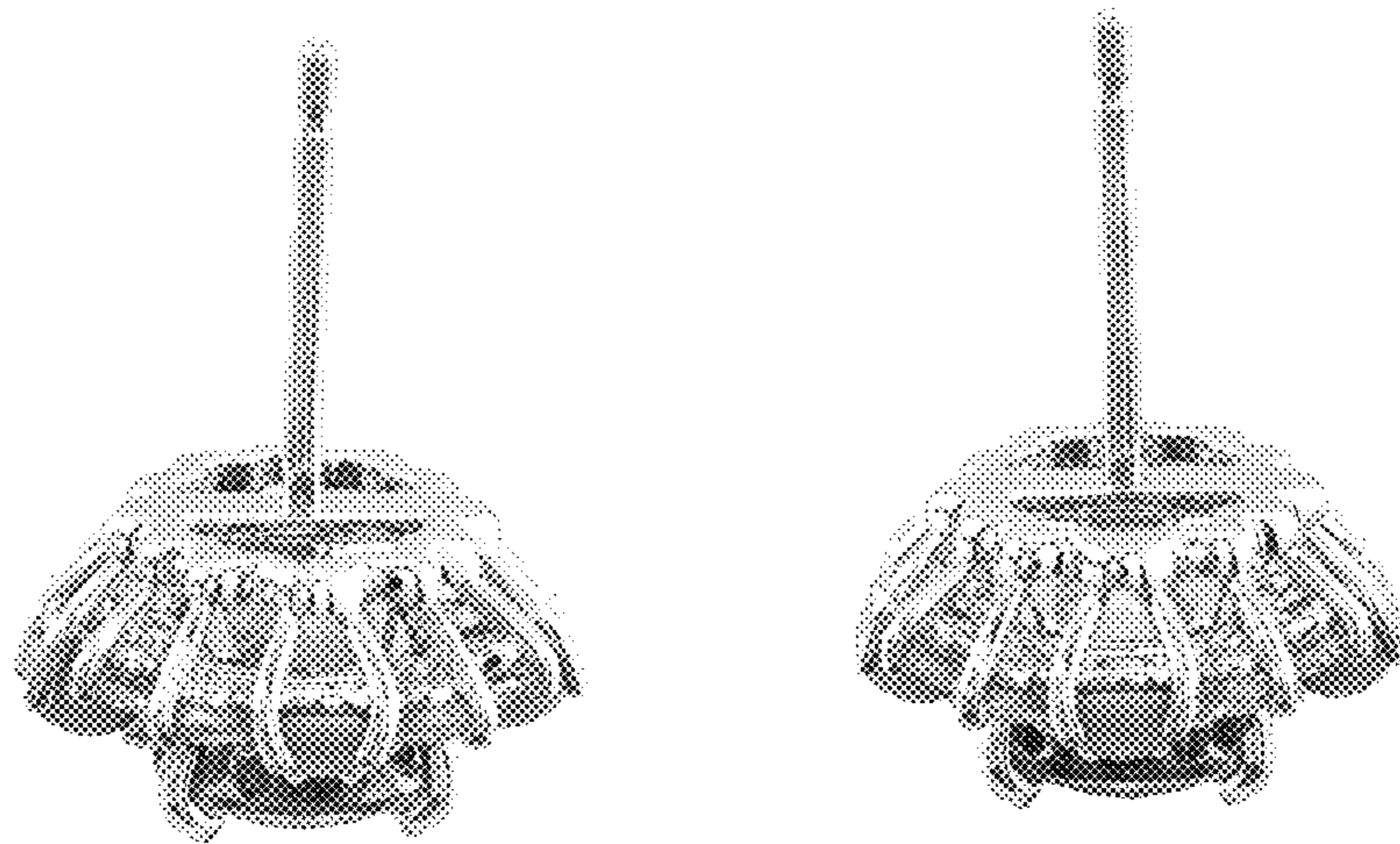


FIG. 6

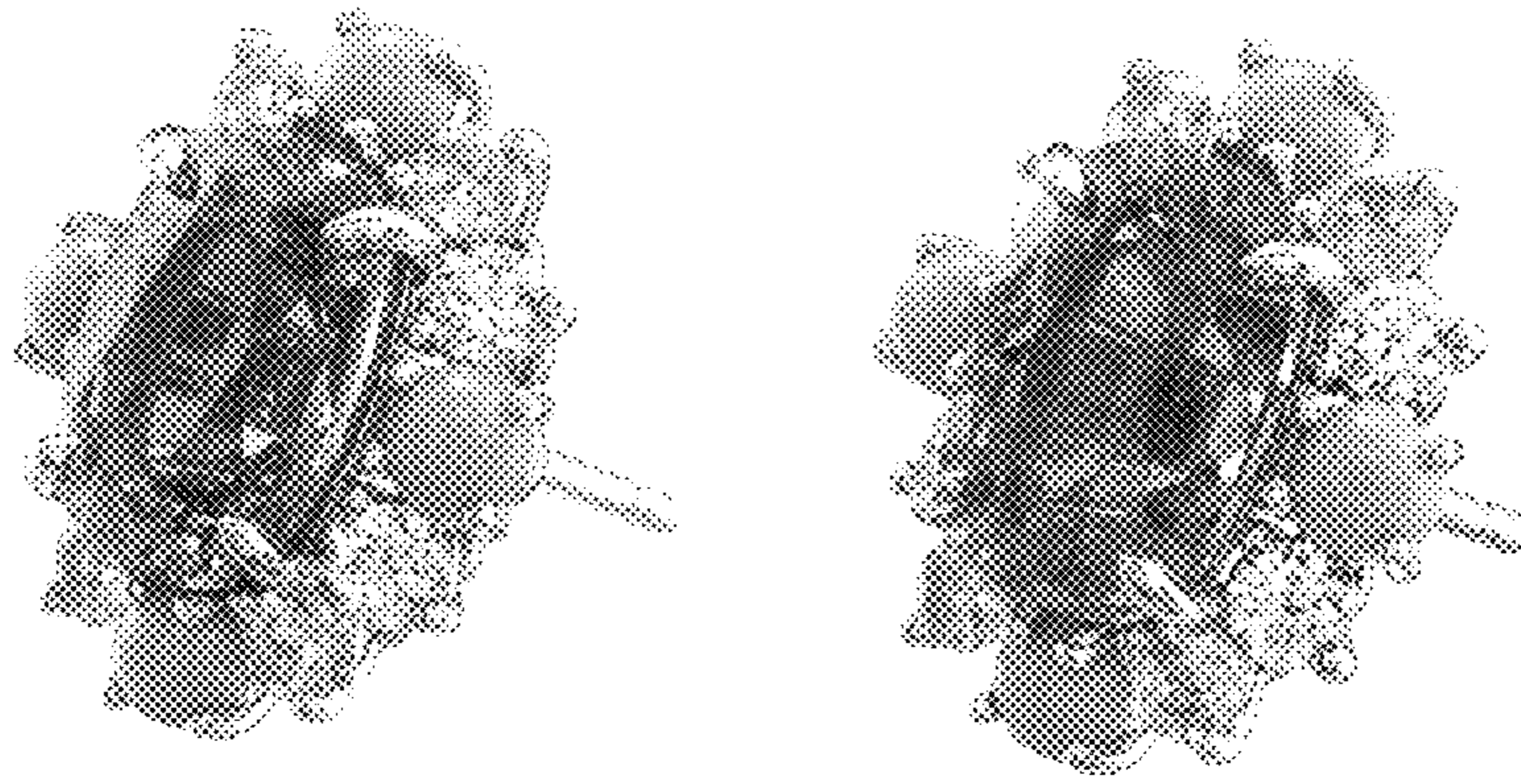


FIG. 7

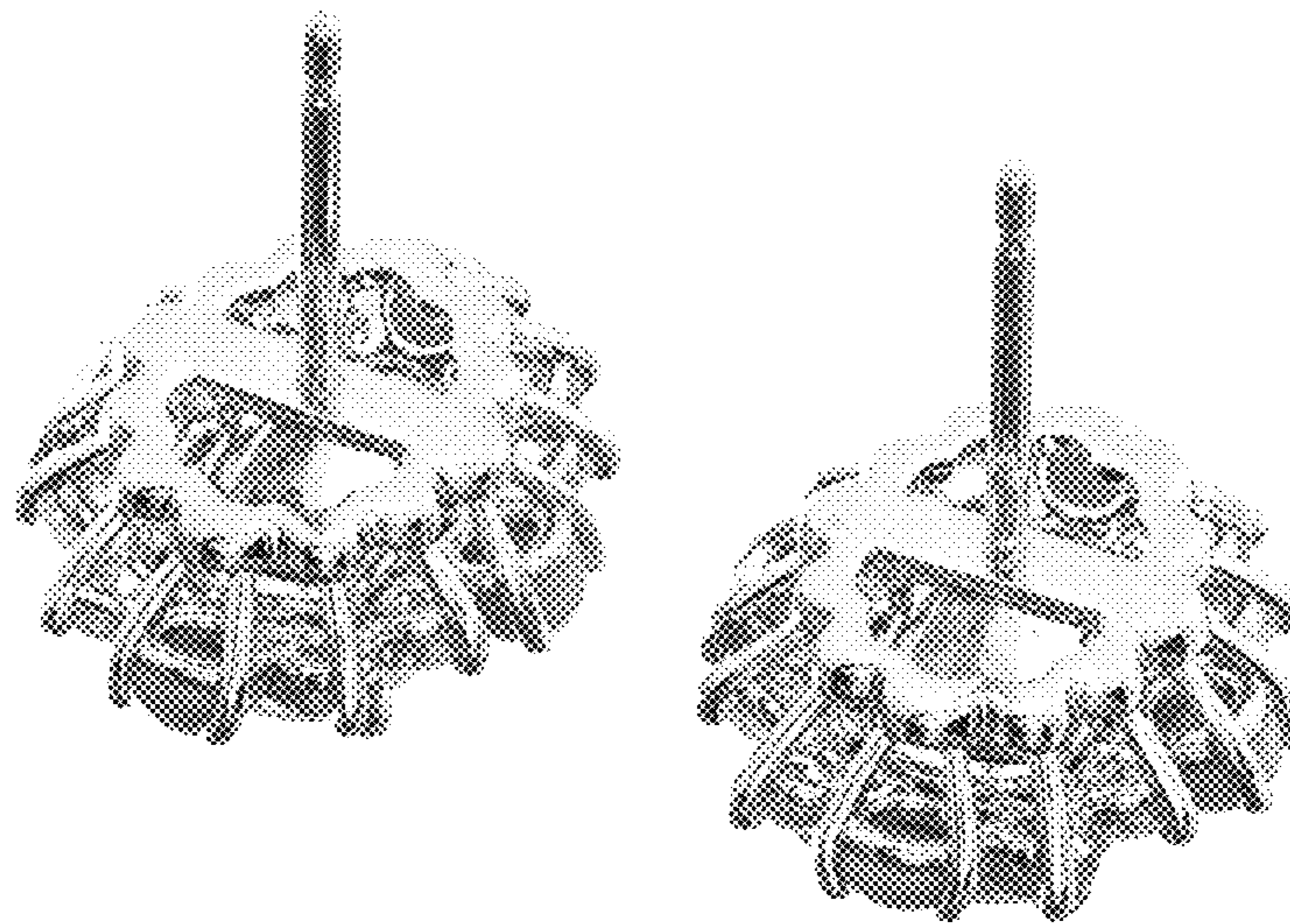


FIG. 8