



US00D971766S

(12) **United States Design Patent** (10) **Patent No.:** **US D971,766 S**  
**Sun** (45) **Date of Patent:** **\*\* Dec. 6, 2022**

(54) **WATCH CASE**  
(71) Applicant: **Zhijun Sun**, Guangdong (CN)  
(72) Inventor: **Zhijun Sun**, Guangdong (CN)  
(\*\*) Term: **15 Years**  
(21) Appl. No.: **29/792,456**  
(22) Filed: **Mar. 30, 2022**  
(51) **LOC (13) Cl.** ..... **10-07**  
(52) **U.S. Cl.**  
USPC ..... **D10/132; D14/440**  
(58) **Field of Classification Search**  
USPC ..... D10/30-39, 122, 128, 129-132; D11/3,  
D11/30, 74, 81, 91; D14/344, 440  
CPC ..... A44C 5/00; A44C 5/0007; A44C 5/147;  
A44C 17/02; A45C 2011/001-003; A45C  
15/08; A45C 11/10; A45C 11/12; G04B  
37/005; G04B 37/0058; G04B 37/084;  
G04B 37/087; G04G 17/08  
See application file for complete search history.

(56) **References Cited**

U.S. PATENT DOCUMENTS

D716,155 S \* 10/2014 Graff ..... D10/34  
D755,665 S \* 5/2016 Krainz ..... D11/91  
D805,419 S \* 12/2017 McGraw ..... D11/30  
D811,241 S \* 2/2018 Favre ..... D10/33  
D870,571 S \* 12/2019 Stern ..... A41D 19/0027  
D10/38  
D925,385 S \* 7/2021 Lin ..... D14/440  
D935,331 S 11/2021 Calamai  
D954,584 S \* 6/2022 Zhou ..... D10/132  
D957,266 S \* 7/2022 Zhou ..... D10/38  
D960,019 S \* 8/2022 Qin ..... D14/440  
D960,020 S \* 8/2022 Qin ..... D14/440  
D962,807 S \* 9/2022 Shen ..... D14/440

D964,200 S \* 9/2022 Tang ..... D10/32  
D964,875 S \* 9/2022 Lin ..... D11/91  
2019/0369563 A1\* 12/2019 Chen ..... F16J 15/022  
2021/0321730 A1\* 10/2021 Bernard ..... A44C 17/02

OTHER PUBLICATIONS

Bling Bow Funda protectora comaptible con Samsung Galaxy Watch 4 | amazon.com; date first available May 19, 2022 [online]. © [retrieved Sep. 29, 2022] from Internet: <https://www.amazon.com/Protector-Compatible-Samsung-Rhinestone-Protective/dp/B09ZTN572C?th=1> (Year: 2022).\*

\* cited by examiner

Primary Examiner — Katherine Glennon

(57) **CLAIM**

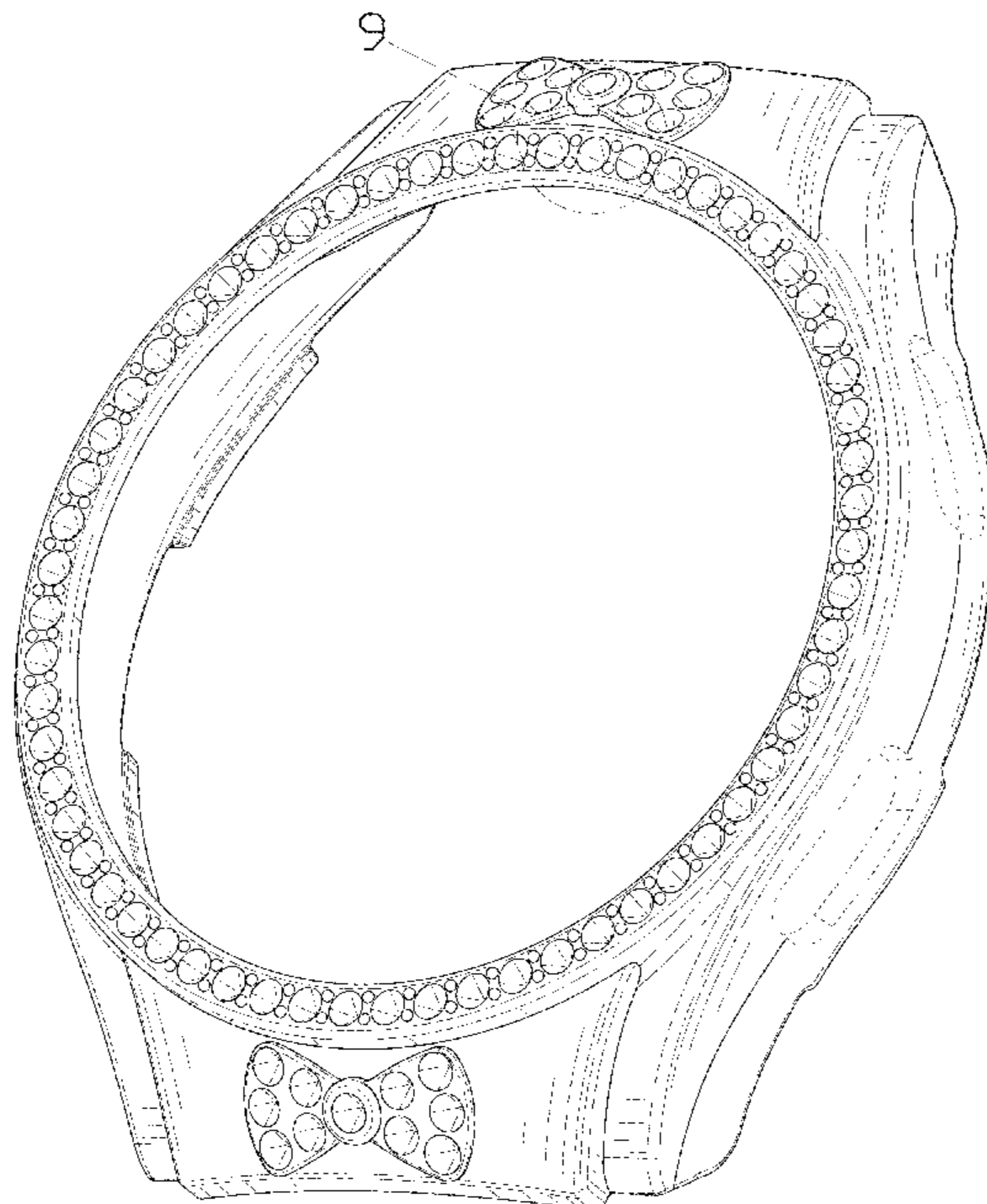
The ornamental design for a watch case, as shown and described.

**DESCRIPTION**

FIG. 1 is a front and top perspective view of a watch case, showing my new design;  
FIG. 2 is a rear and bottom perspective view thereof;  
FIG. 3 is a front elevation view thereof;  
FIG. 4 is a rear elevation view thereof;  
FIG. 5 is a left side elevation view thereof;  
FIG. 6 is a right side elevation view thereof;  
FIG. 7 is a top plan view thereof;  
FIG. 8 is a bottom plan view thereof; and,  
FIG. 9 is an enlarged view of a portion indicated with numeric 9 in FIG. 1.

The broken lines in the figures illustrate portions of the watch case that form no part of the claimed design. The dash dot dash lines in FIGS. 1 and 9 are for the purpose of depicting the boundary lines of the enlarged view and form no part of the claimed design.

**1 Claim, 9 Drawing Sheets**



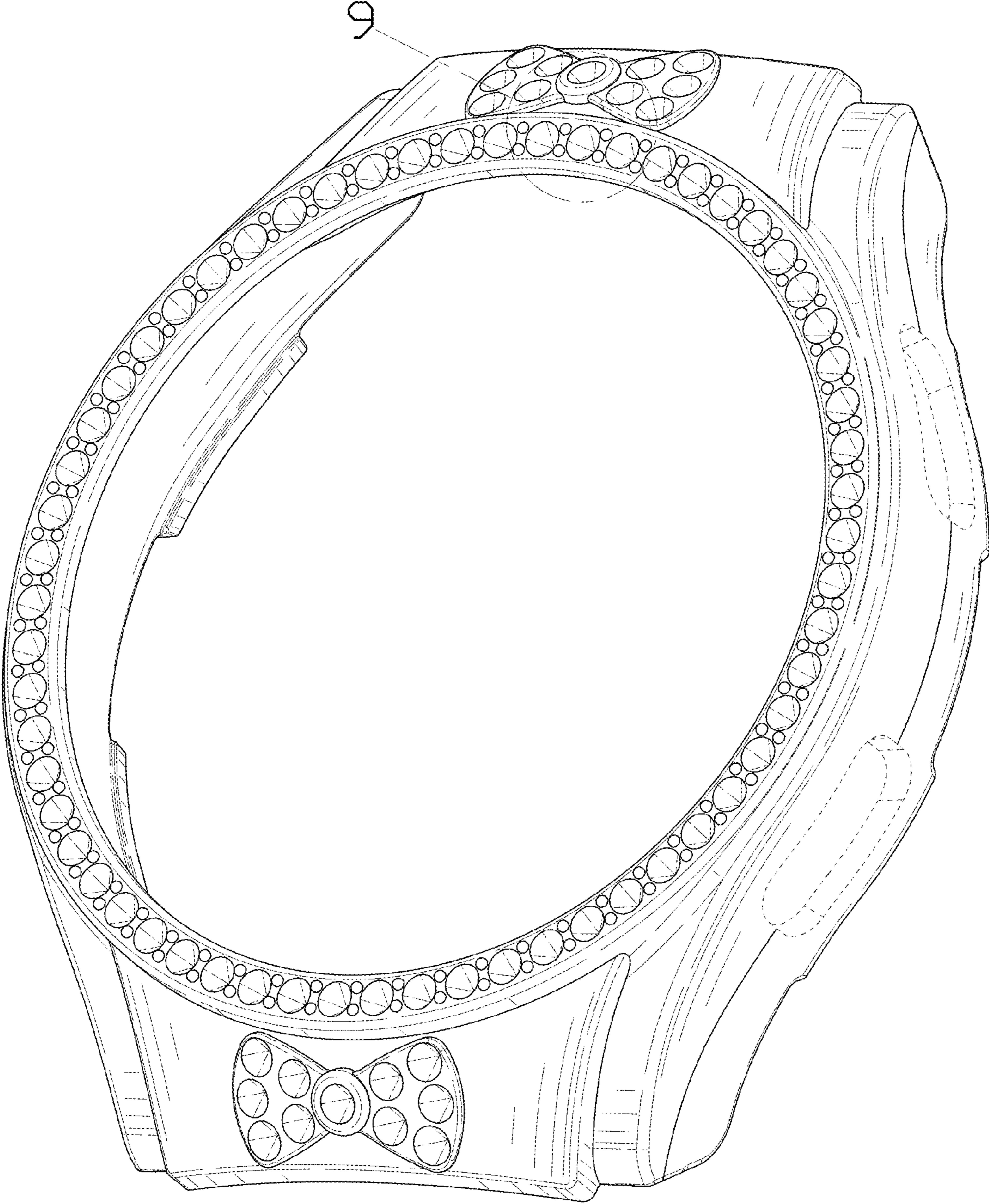


FIG. 1

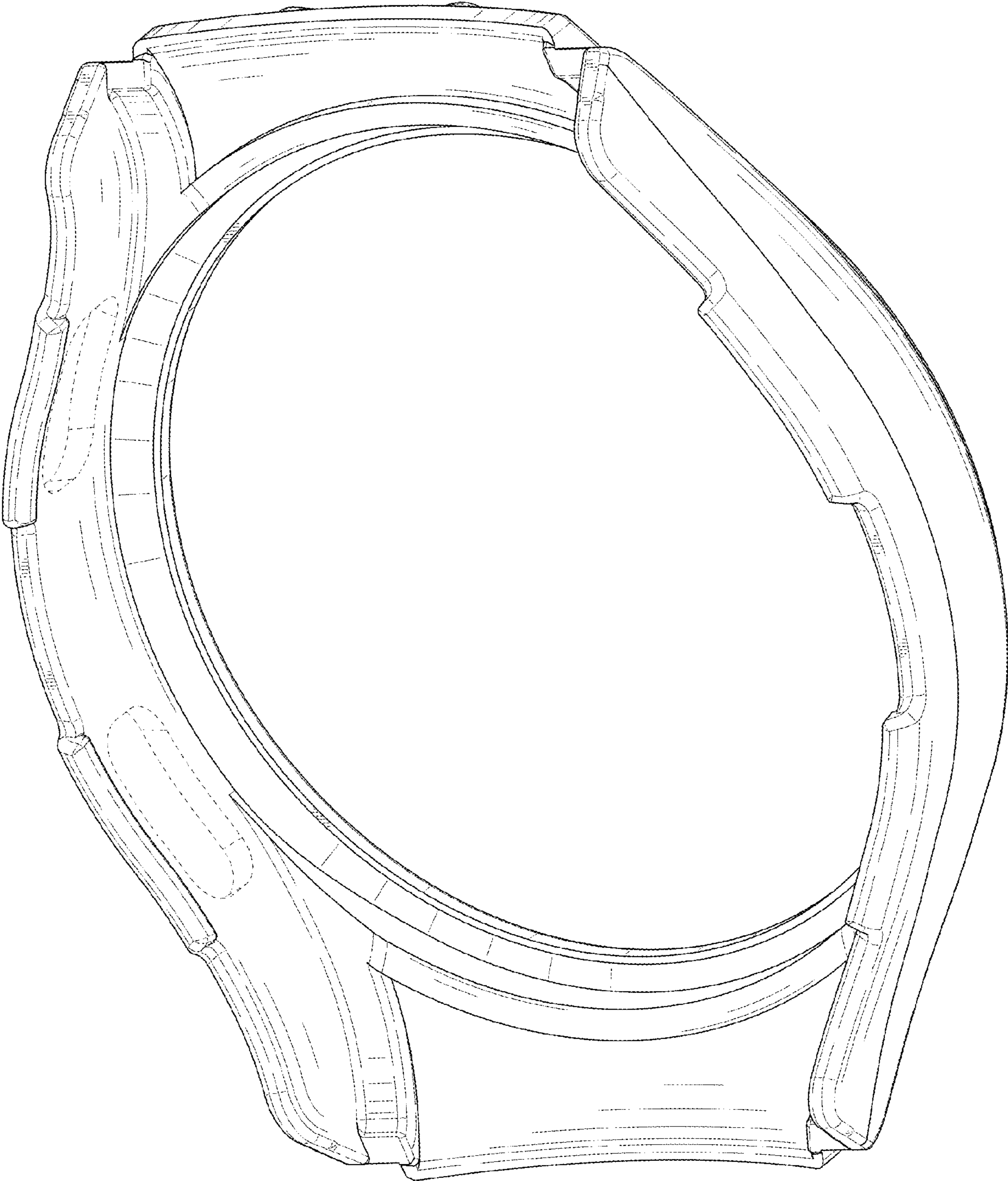


FIG. 2

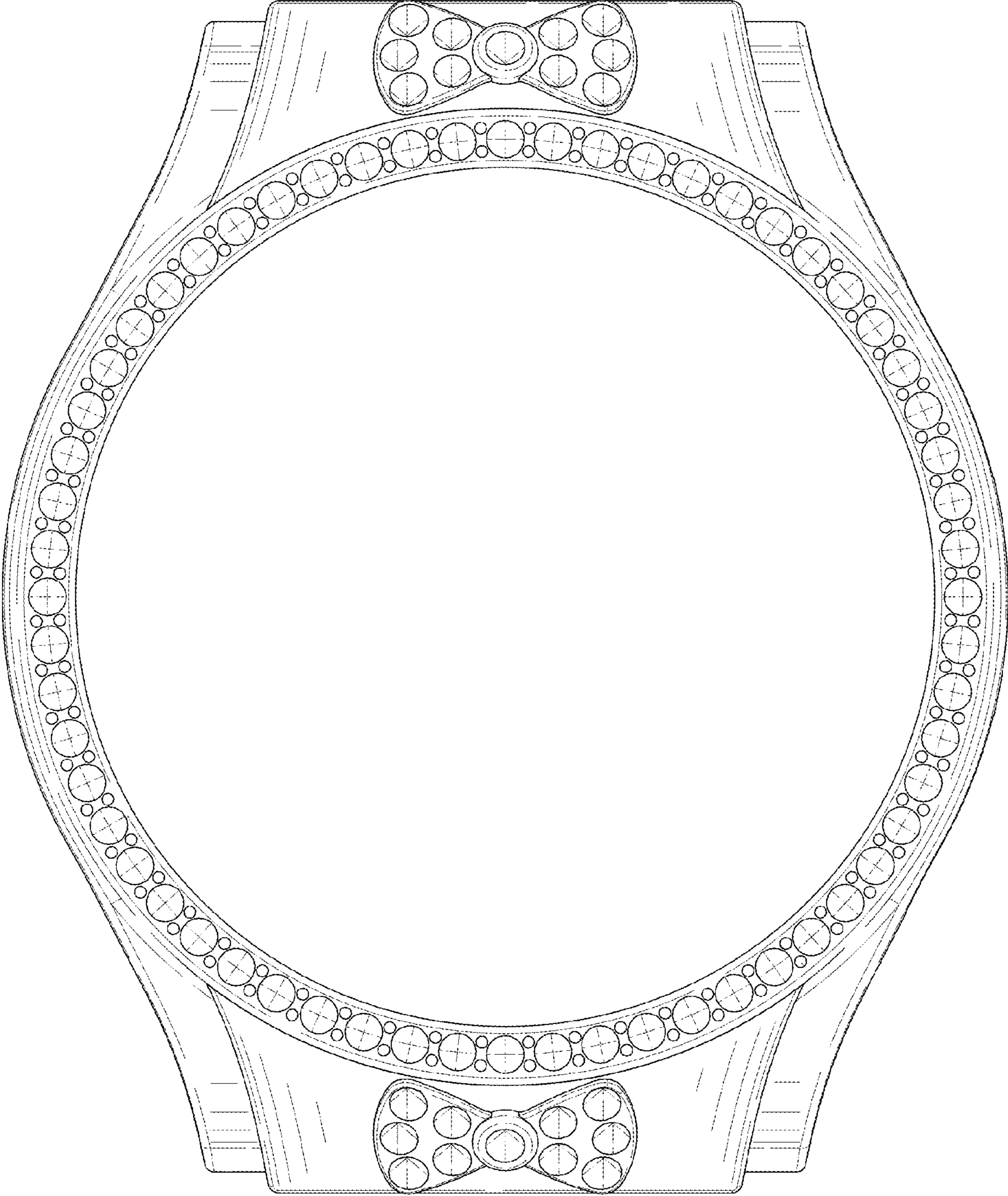


FIG. 3

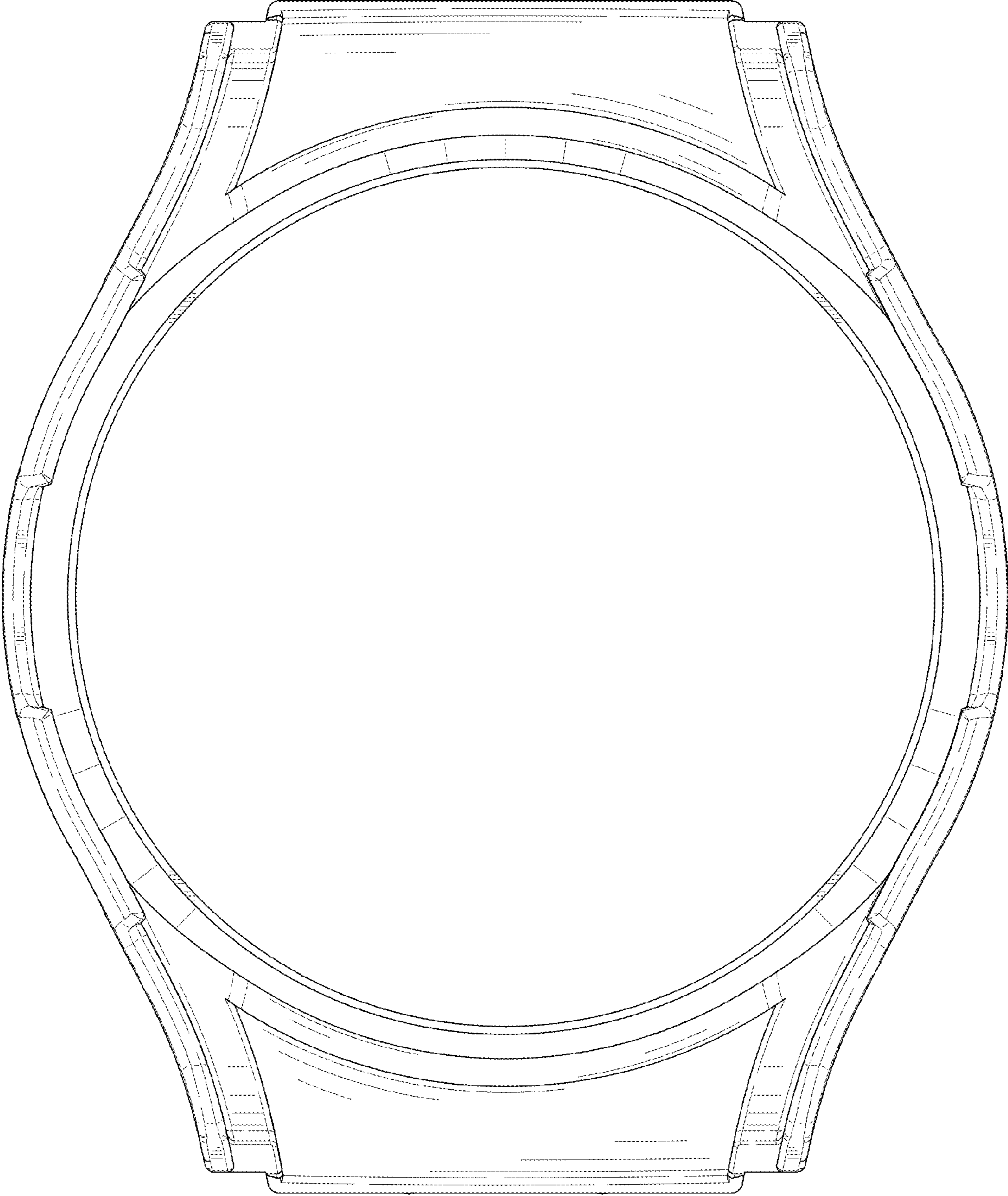


FIG. 4

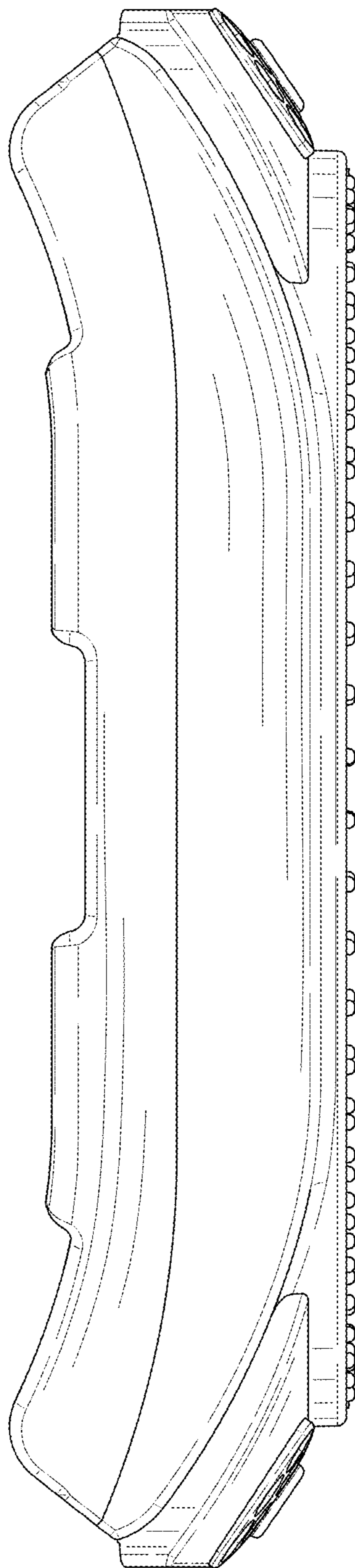


FIG. 5

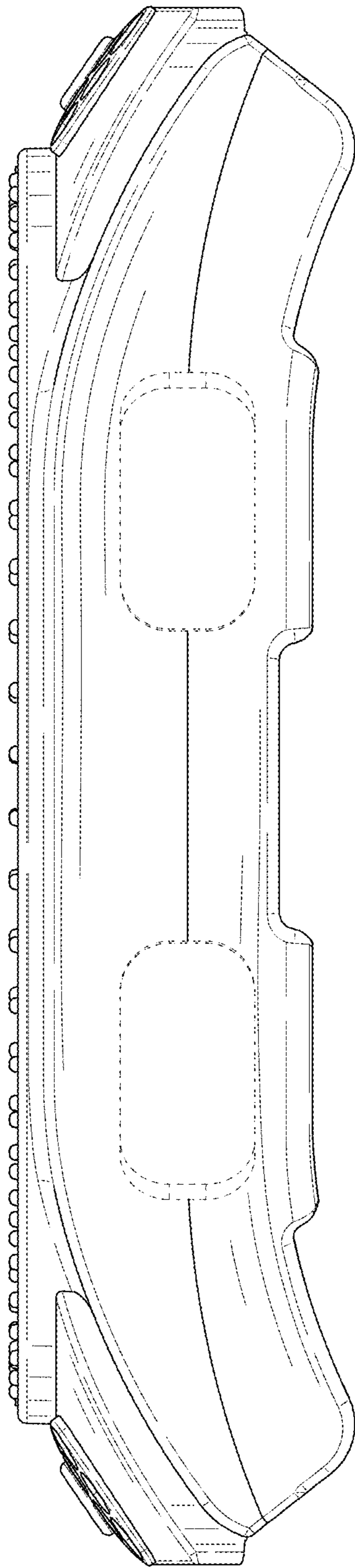


FIG. 6

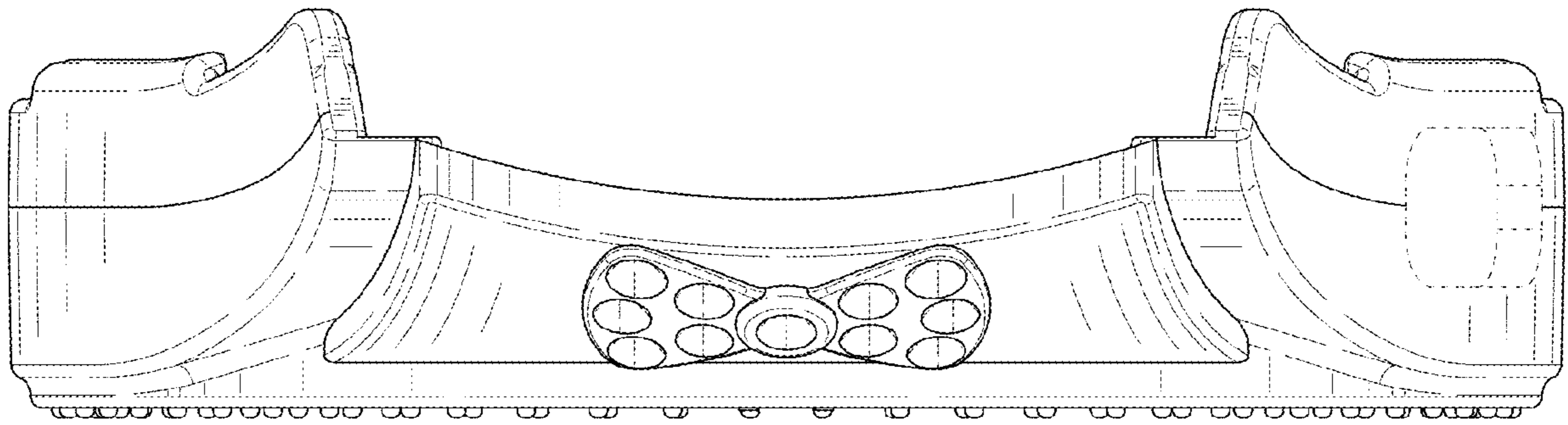


FIG. 7



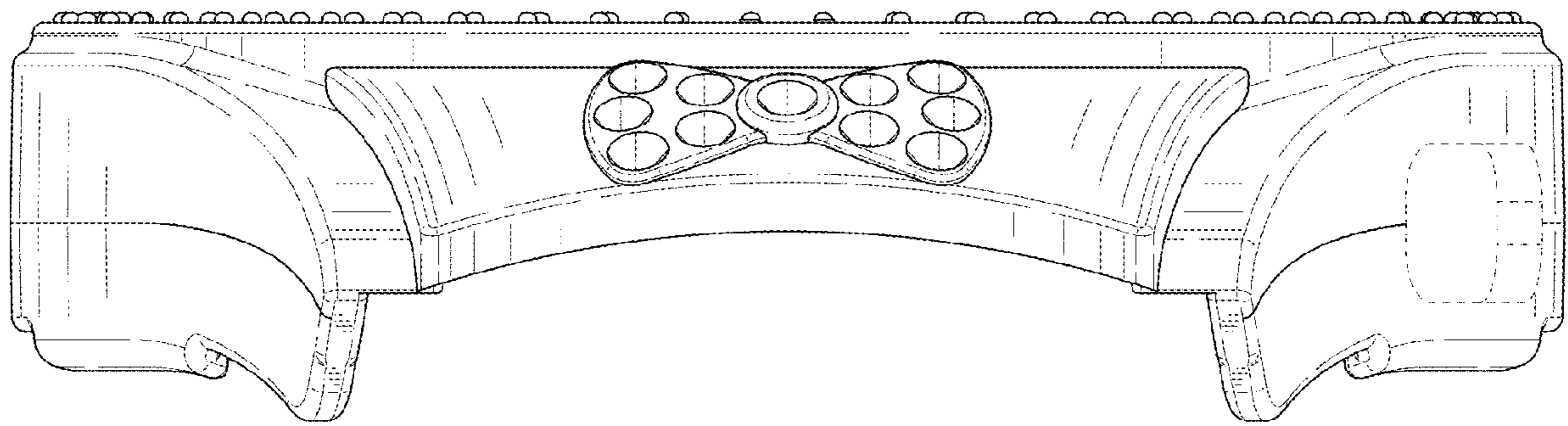


FIG. 8

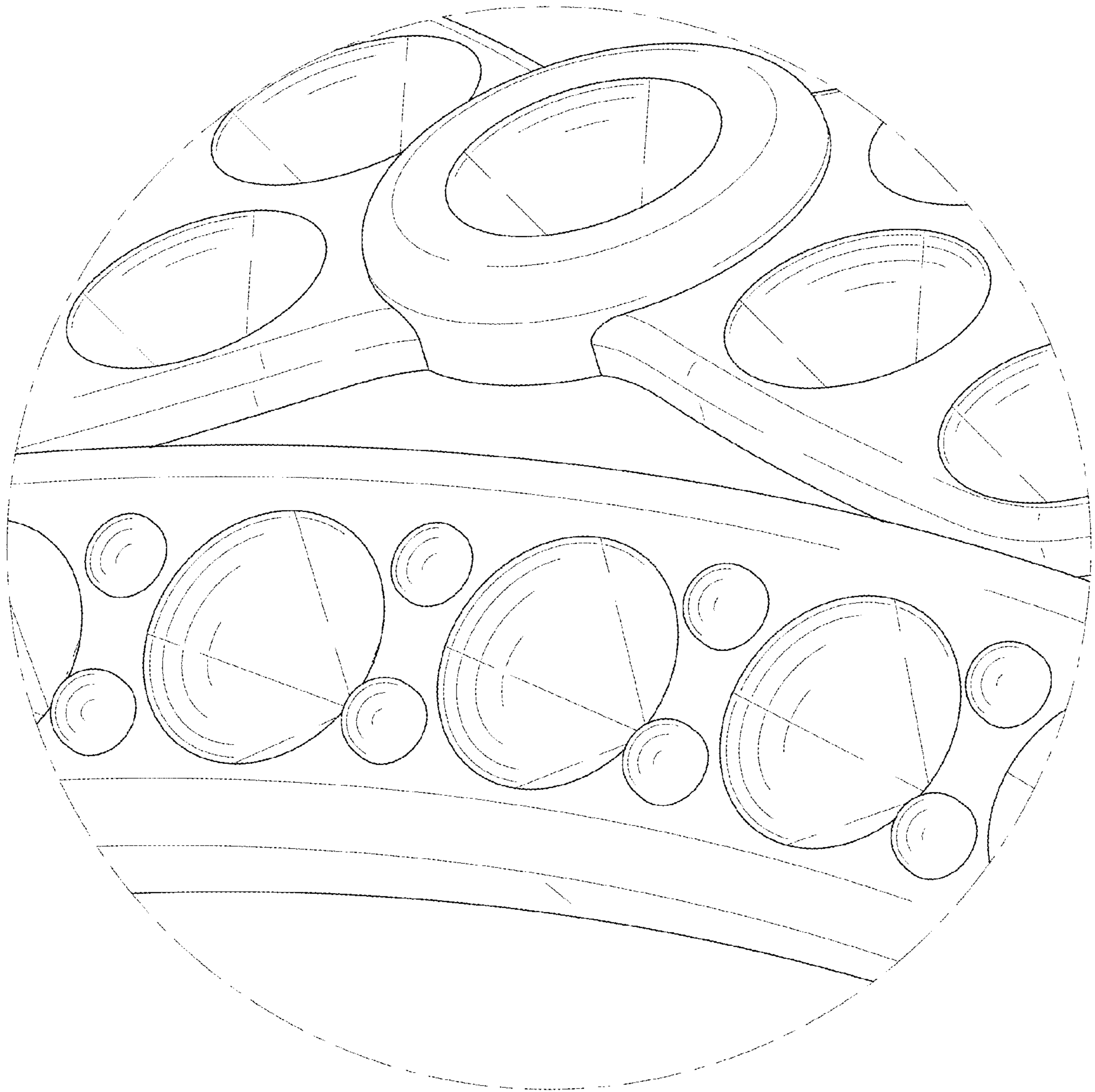


FIG. 9