



US00D971765S

(12) **United States Design Patent** (10) **Patent No.:** **US D971,765 S**
Cen (45) **Date of Patent:** **** Dec. 6, 2022**

(54) **WARNING SIGN**
(71) Applicant: **Xinmiao Cen**, Cixi (CN)
(72) Inventor: **Xinmiao Cen**, Cixi (CN)
(**) Term: **15 Years**
(21) Appl. No.: **29/718,139**
(22) Filed: **Dec. 20, 2019**
(51) **LOC (13) Cl.** **10-05**
(52) **U.S. Cl.**
USPC **D10/113.4**
(58) **Field of Classification Search**
USPC D10/113.4
CPC . G09F 15/00; G09F 13/00; G09F 9/33; B60Q
7/00; G01C 15/06; E01F 13/00; G09G
3/32
See application file for complete search history.

(56) **References Cited**
U.S. PATENT DOCUMENTS
2,669,705 A * 2/1954 Wheatland B60Q 7/00
340/908
2,903,688 A * 9/1959 Sorensen E01F 13/02
116/63 P
3,292,569 A * 12/1966 Trigilio E01F 9/688
116/63 P
3,685,162 A * 8/1972 Haun G01C 15/06
40/607.1
4,430,638 A * 2/1984 Parker B60Q 7/00
116/63 P

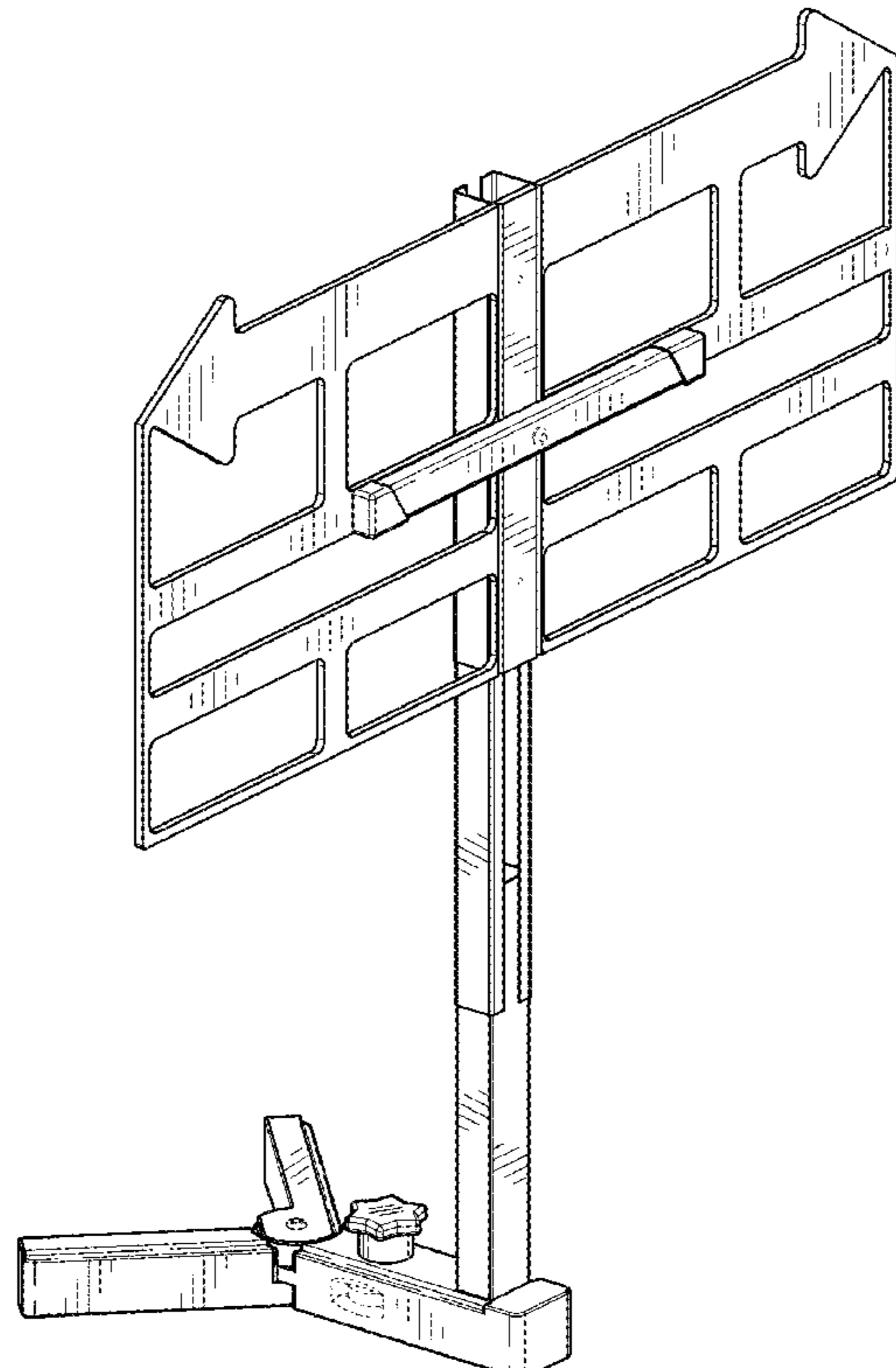
6,104,313 A * 8/2000 Boyd, II E01F 9/65
340/925
D615,440 S * 5/2010 Kelley D10/113.4
D615,441 S * 5/2010 Kelley D10/113.4
D652,752 S * 1/2012 Fernandez D10/113.4
D653,140 S * 1/2012 Fernandez D10/113.4
8,164,483 B1 * 4/2012 Phillips E01F 9/681
116/63 P
2005/0162342 A1 * 7/2005 Luoma G09F 19/22
345/55
2007/0251132 A1 * 11/2007 Luoma G09F 9/33
40/541

* cited by examiner
Primary Examiner — George D. Kirschbaum
(74) *Attorney, Agent, or Firm* — Runit Ranjit Kanakia

(57) **CLAIM**
The ornamental design for a warning sign, as shown and described.

DESCRIPTION
FIG. 1 is a front elevational view of a warning sign showing my new design;
FIG. 2 is a rear elevational view thereof;
FIG. 3 is a left side elevational view thereof;
FIG. 4 is a right side elevational view thereof;
FIG. 5 is a top plan view thereof;
FIG. 6 is a bottom plan view thereof; and,
FIG. 7 is a perspective view.
The broken line showing is included for the purpose of illustrating portions of the “article” and forms no part of the claimed design.

1 Claim, 7 Drawing Sheets



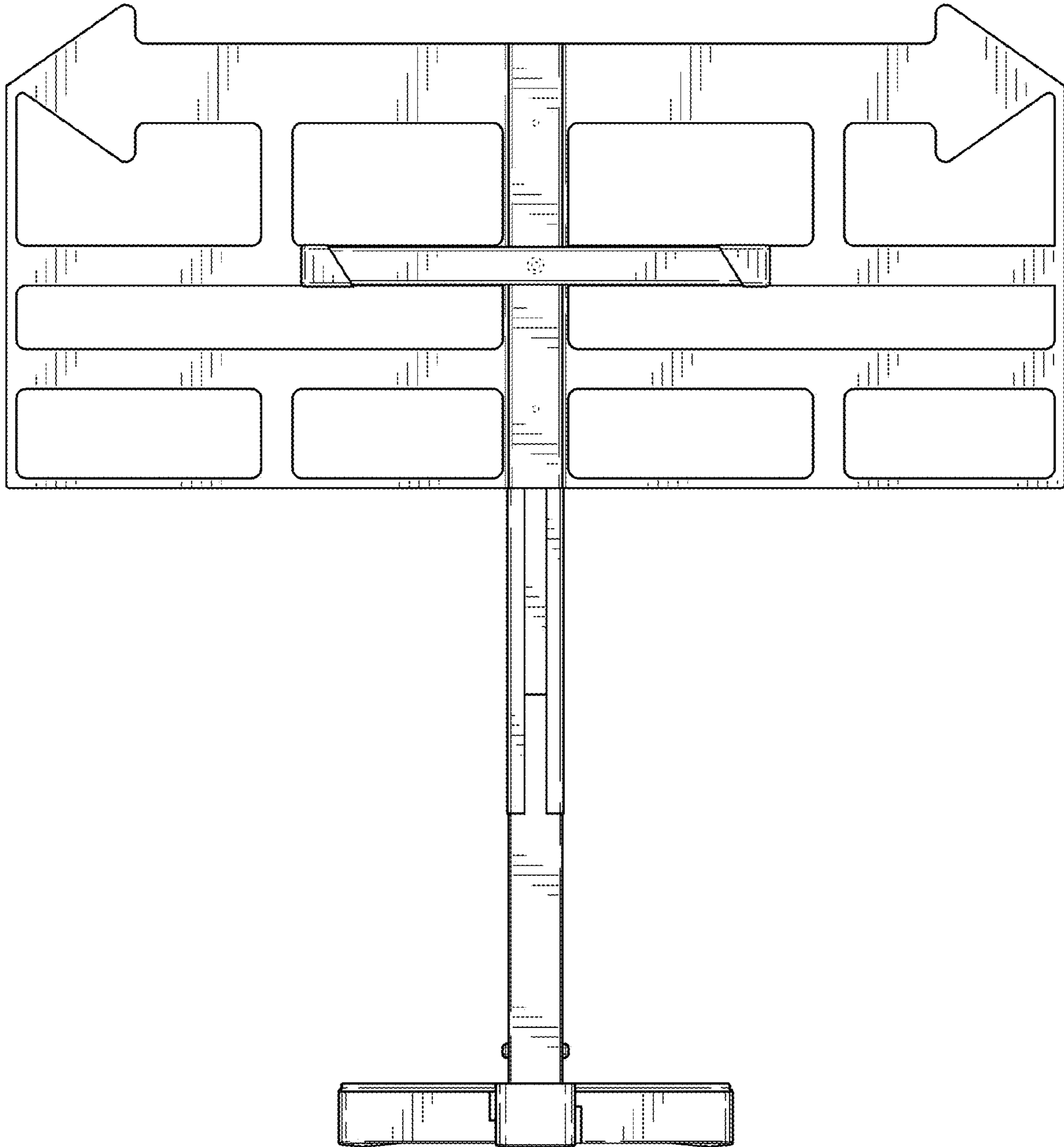


FIG. 1

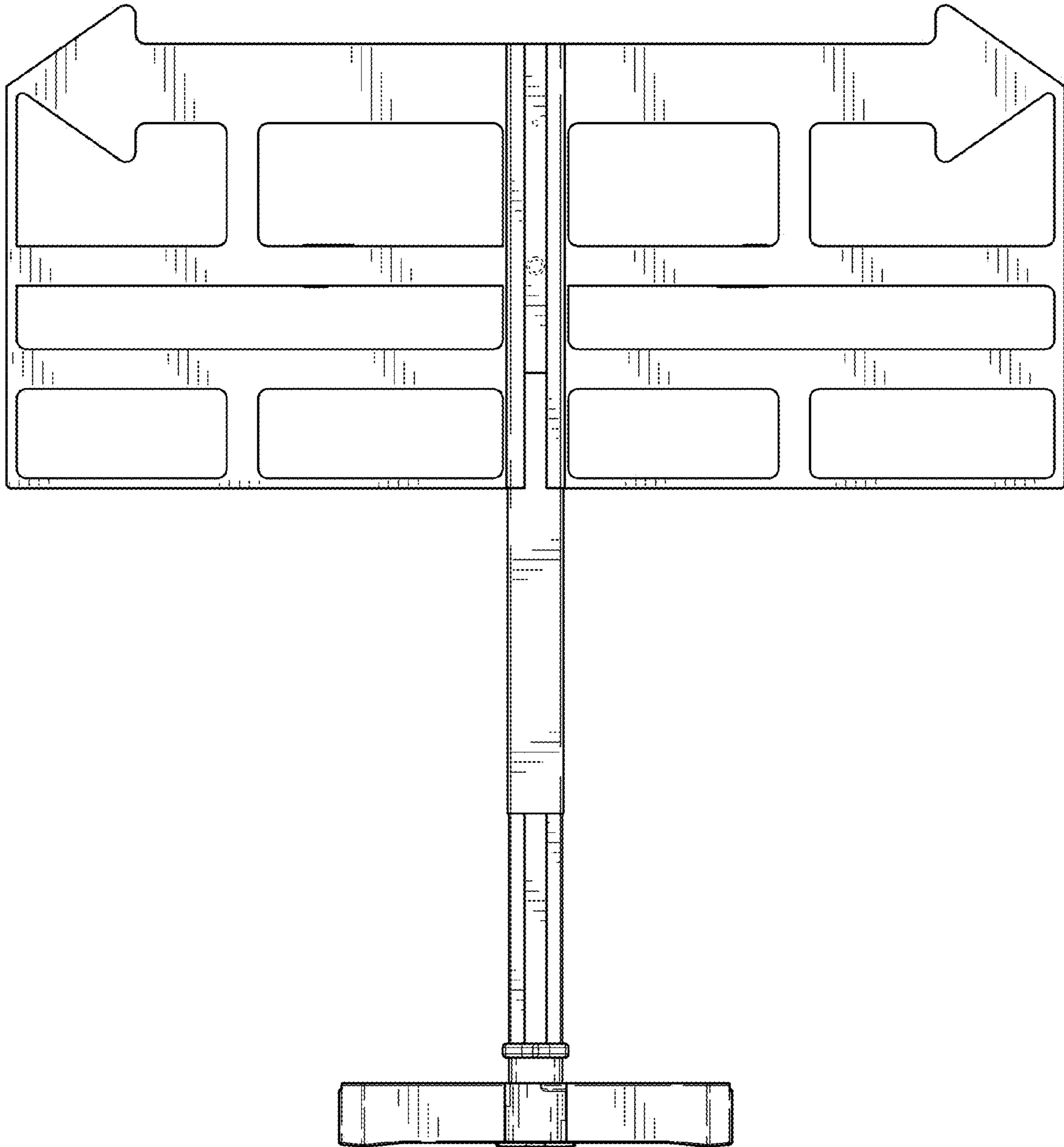


FIG. 2

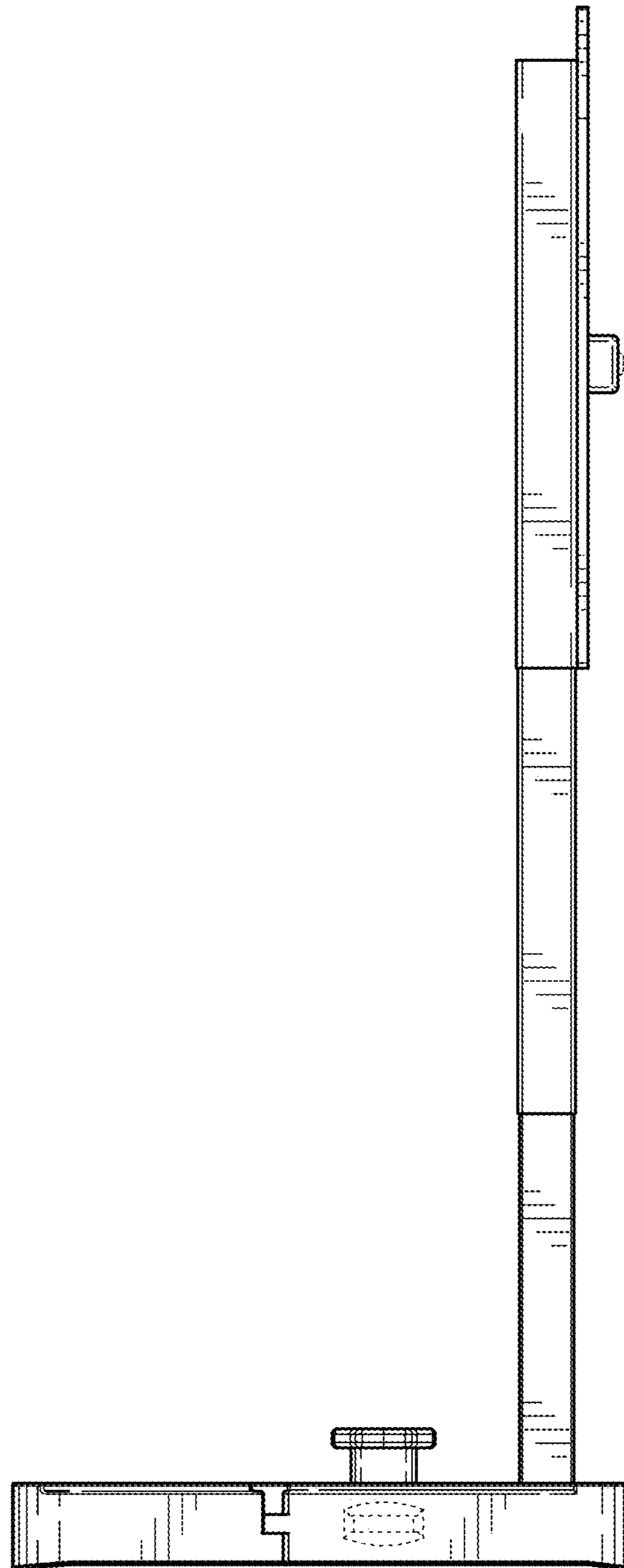


FIG. 3

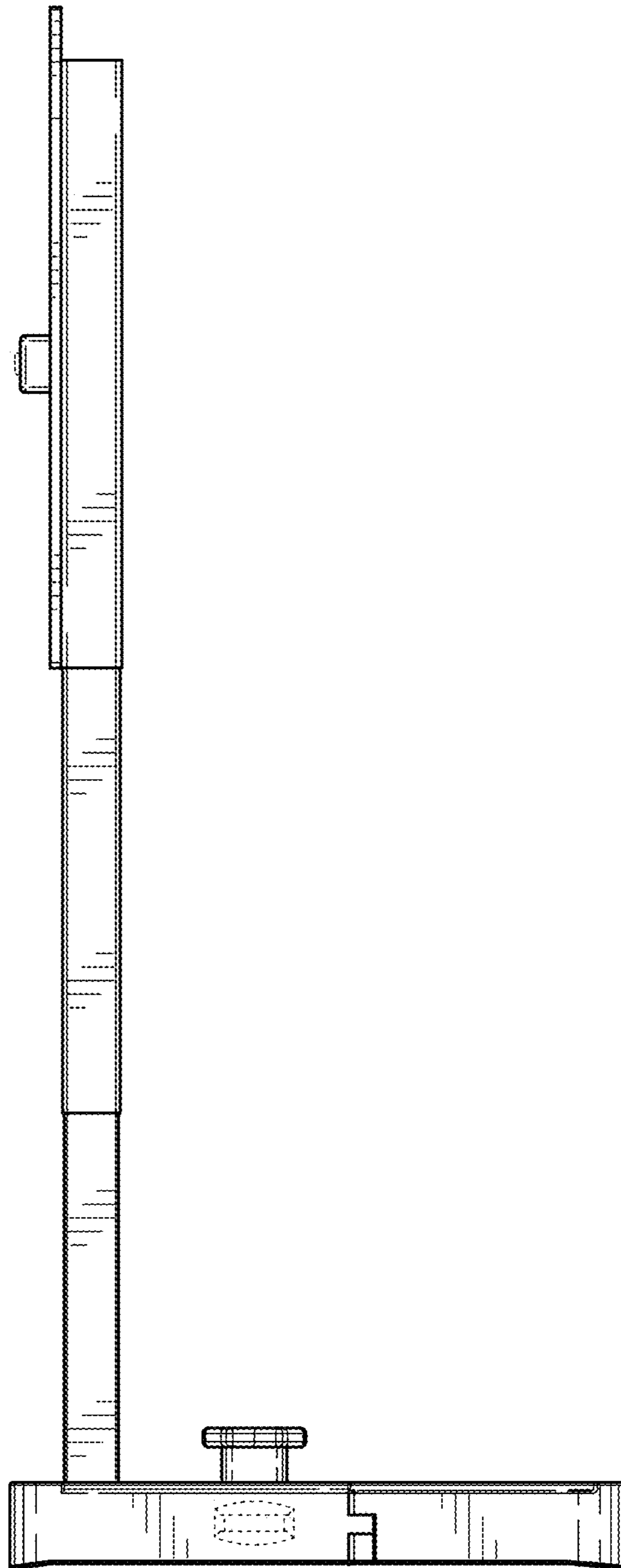


FIG. 4

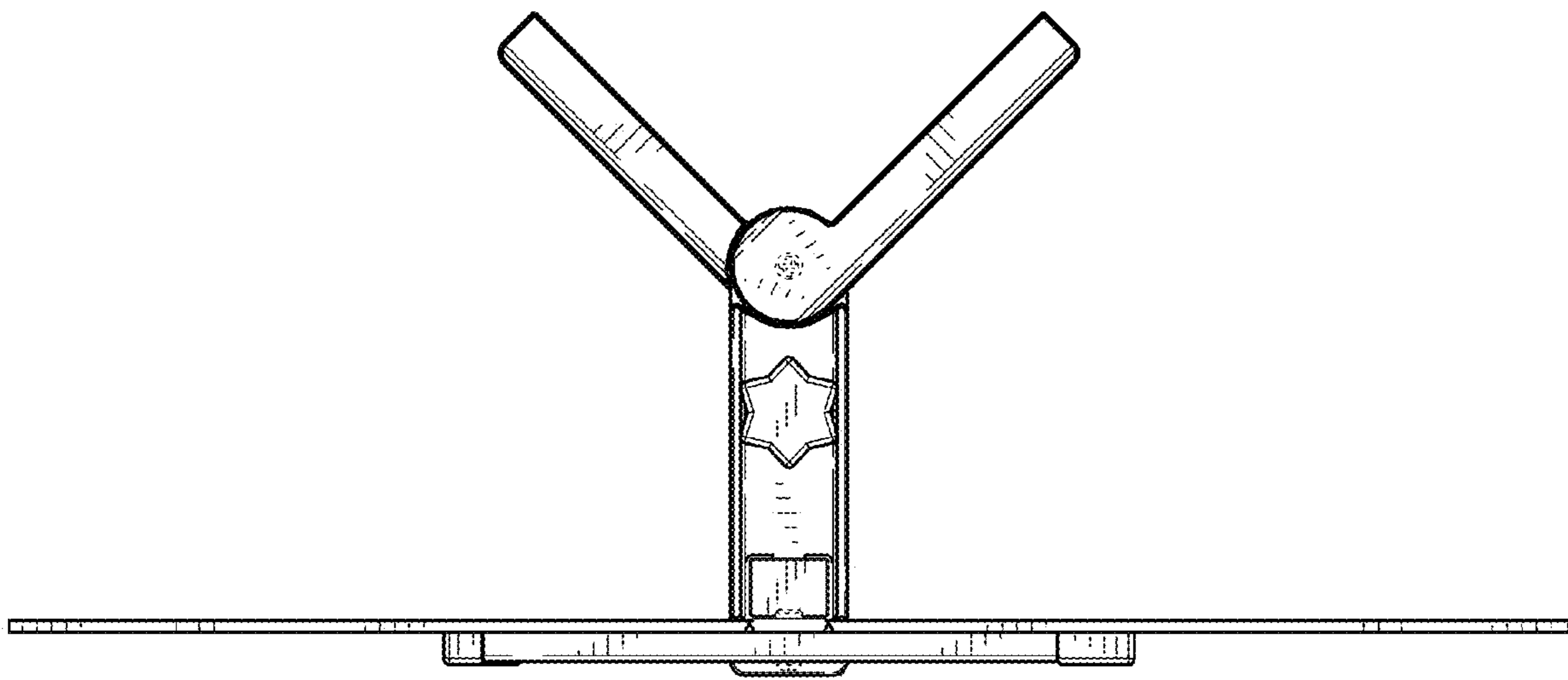


FIG. 5

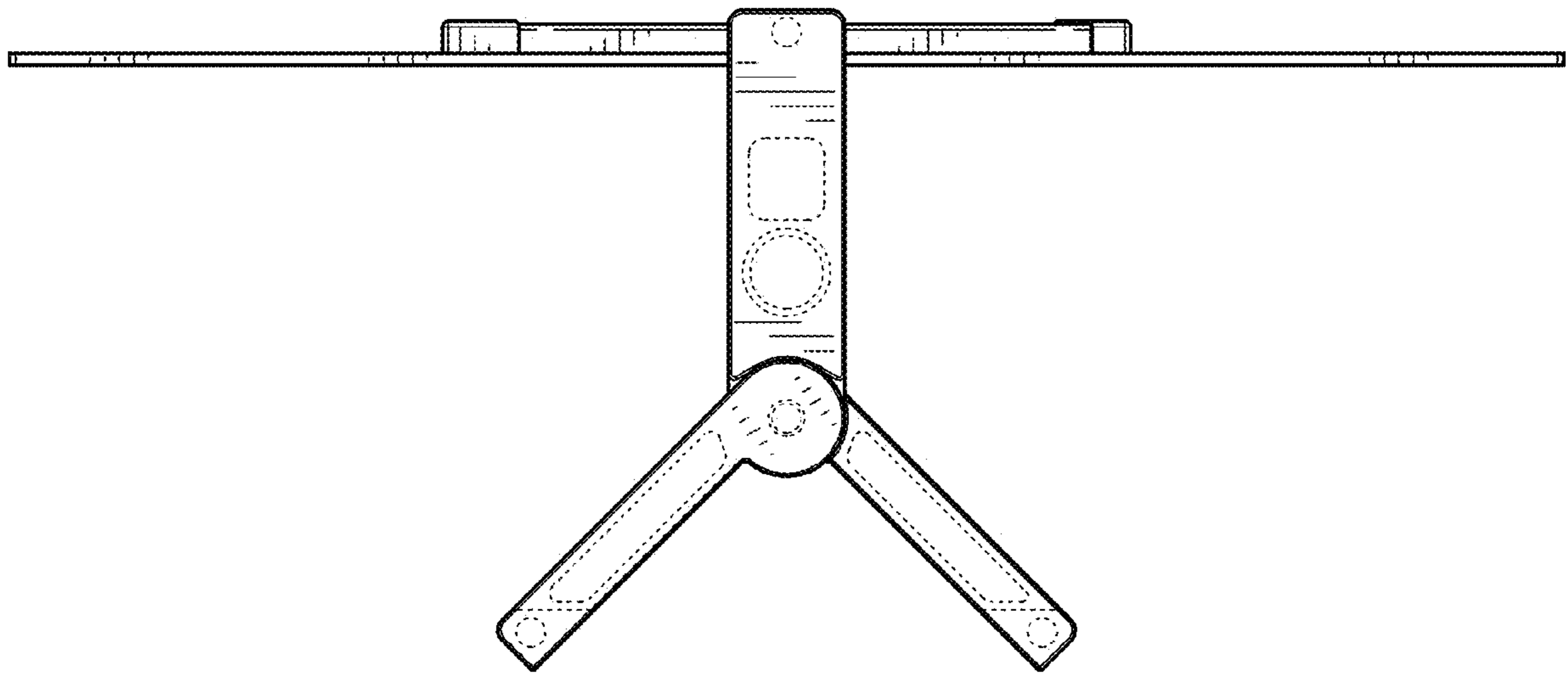


FIG. 6

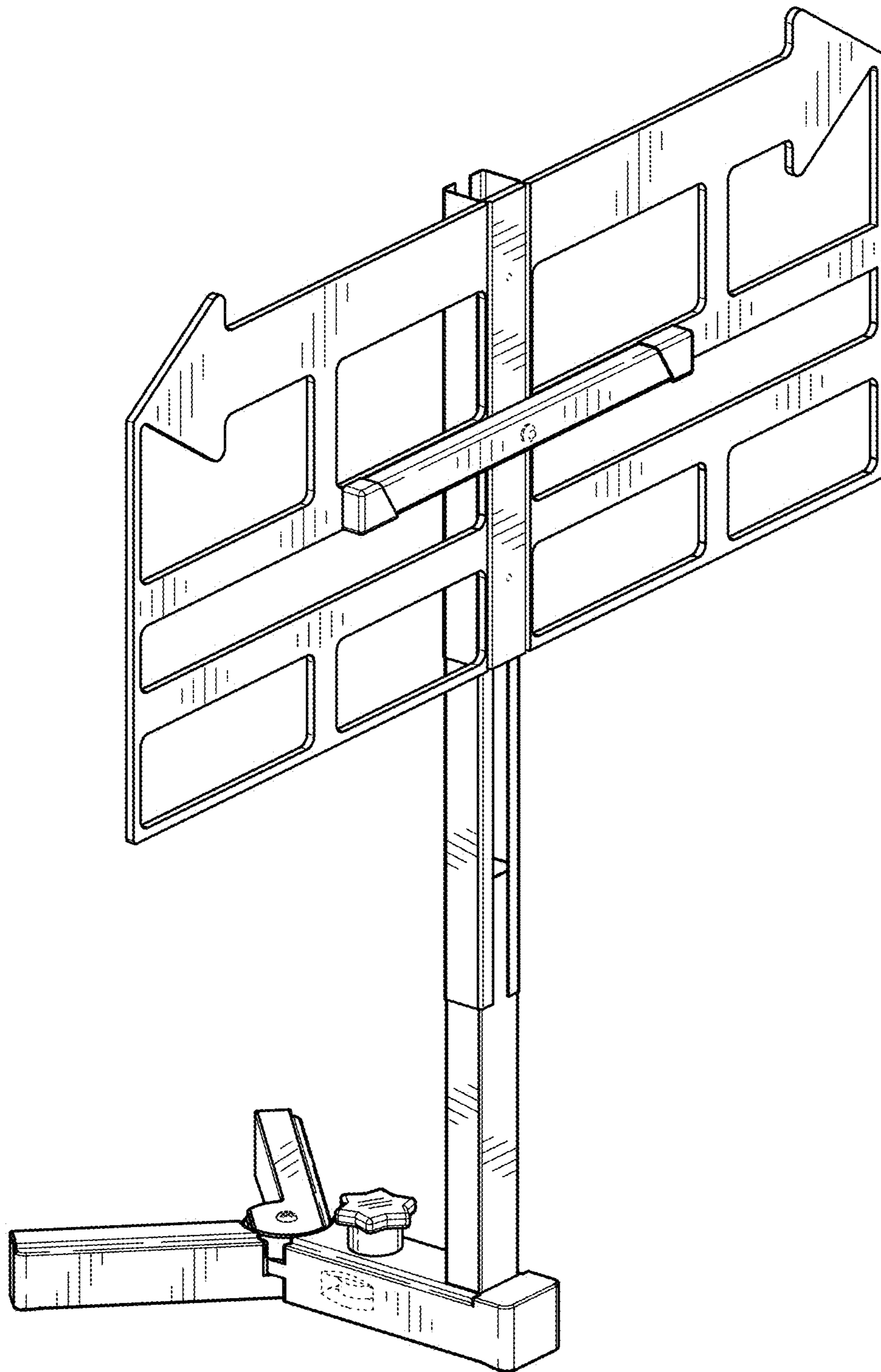


FIG. 7