



US00D971764S

(12) **United States Design Patent**  
**Wännerud**

(10) **Patent No.:** **US D971,764 S**  
(45) **Date of Patent:** **\*\* Dec. 6, 2022**

(54) **RADIATION AND GAS DETECTOR**

(71) Applicant: **Radonova Laboratories AB**, Uppsala  
(SE)

(72) Inventor: **Oscar Wännerud**, Storvreta (SE)

(\*\*) Term: **15 Years**

(21) Appl. No.: **35/512,809**

(22) Filed: **Apr. 28, 2021**

(80) **Hague Agreement Data**

Int. Filing Date: **Apr. 28, 2021**

Int. Reg. No.: **DM/214271**

Int. Reg. Date: **Apr. 28, 2021**

Int. Reg. Pub. Date: **Oct. 29, 2021**

(30) **Foreign Application Priority Data**

Nov. 3, 2020 (EM) ..... 008242754-0001

Nov. 3, 2020 (EM) ..... 008242754-0002

(51) **LOC (13) Cl.** ..... **10-04**

(52) **U.S. Cl.**  
USPC ..... **D10/81**

(58) **Field of Classification Search**

USPC ..... D10/46, 81

CPC ..... G01T 1/02; G01T 1/023; G01T 1/026;

G01T 1/04; G01T 1/06; G01T 1/08;

G01T 1/10; G01T 1/12; G01T 1/14;

G01T 1/15; G01T 1/16; G01T 1/1603;

G01T 1/1606; G01T 1/20188

See application file for complete search history.

(56) **References Cited**

**U.S. PATENT DOCUMENTS**

D826,752 S \* 8/2018 Lee ..... D10/81

D830,210 S \* 10/2018 Ihara ..... D24/216

D839,117 S \* 1/2019 Hirose ..... D10/81

D884,521 S \* 5/2020 Mou ..... D10/81

D884,522 S \* 5/2020 Mou ..... D10/81

\* cited by examiner

*Primary Examiner* — Antoine Duval Davis

(57) **CLAIM**

The ornamental design for a radiation and gas detector, as shown and described.

**DESCRIPTION**

1. Radiation and gas detector

2. Radiation and gas detector

1.1 : Perspective

1.2 : Perspective

1.3 : Top

1.4 : Bottom

1.5 : Front

1.6 : Back

1.7 : Left

1.8 : Right

2.1 : Perspective

2.2 : Perspective

2.3 : Top

2.4 : Bottom

2.5 : Front

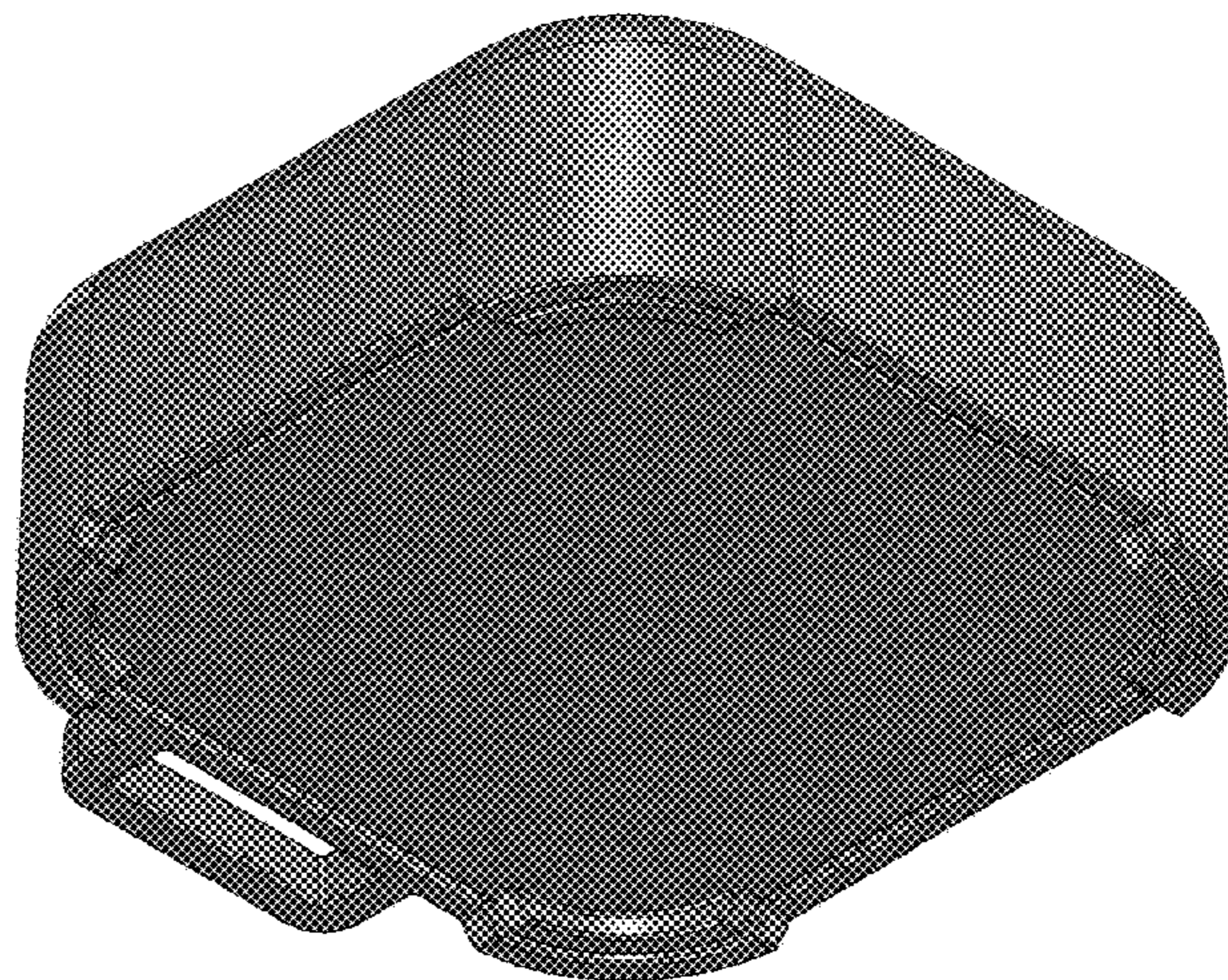
2.6 : Back

2.7 : Left

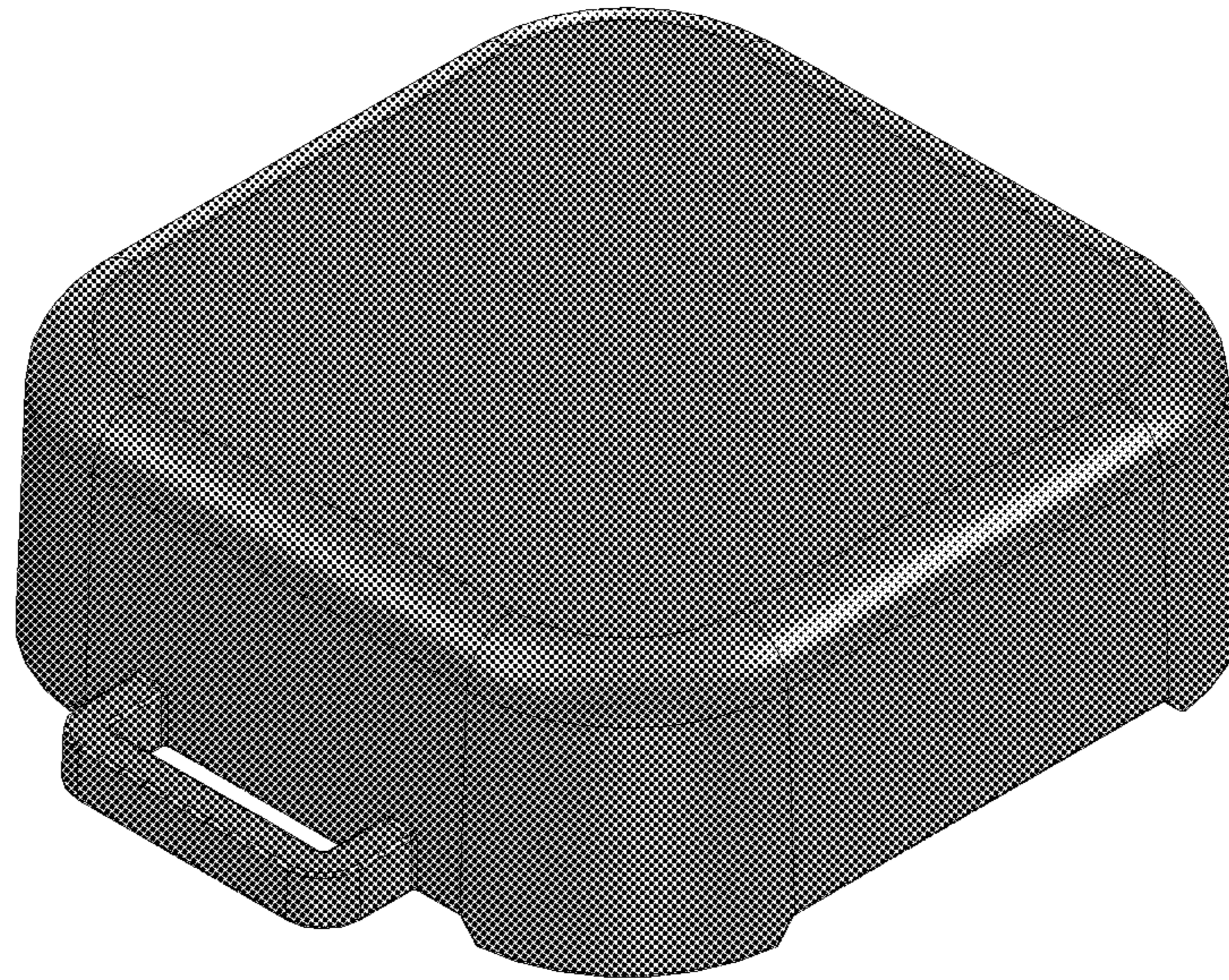
2.8 : Right

The word mark RADTRAK3 is a registered trademark of Radonova Laboratories AB, which is the Applicant of this application.

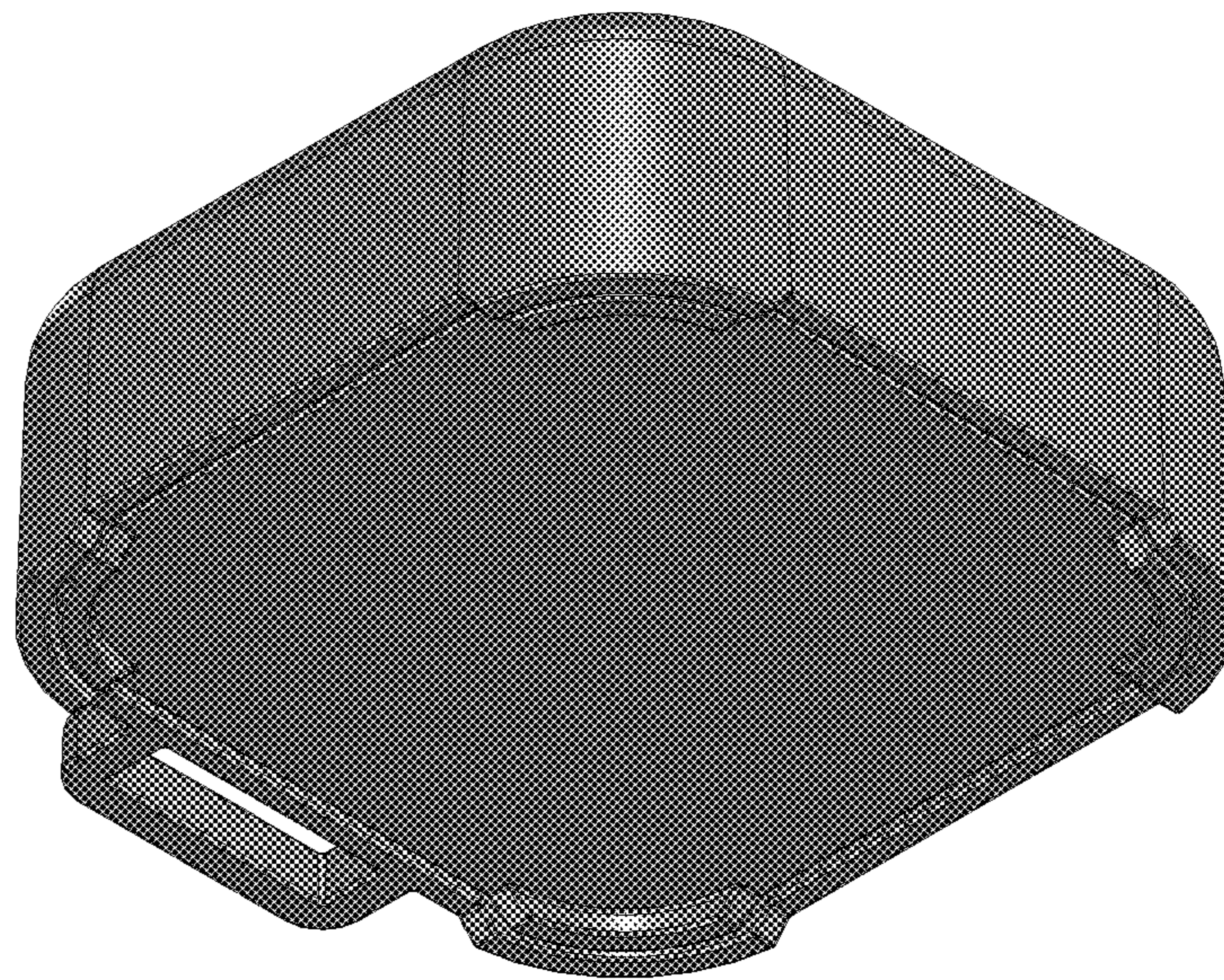
**1 Claim, 16 Drawing Sheets**



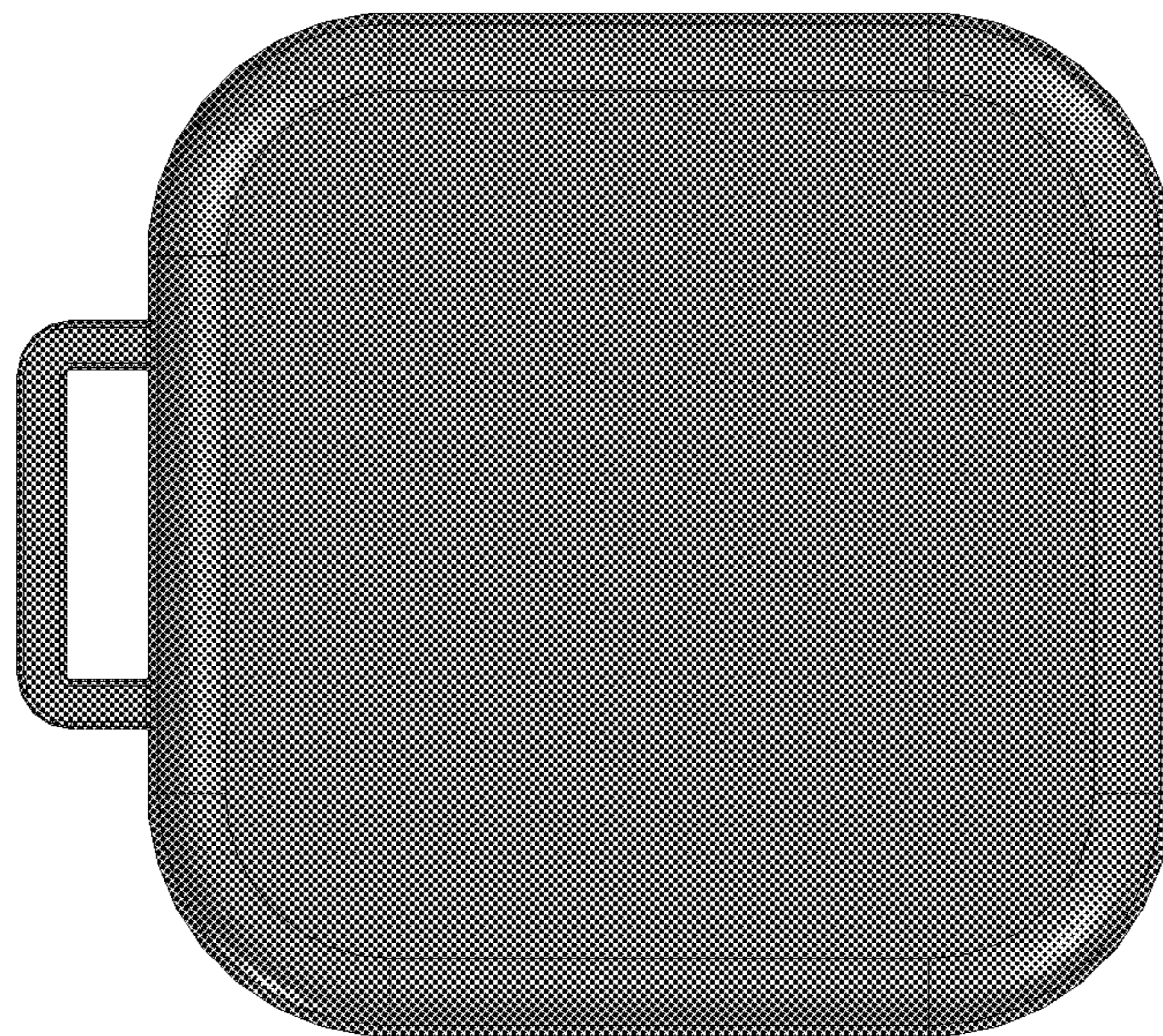
1.1



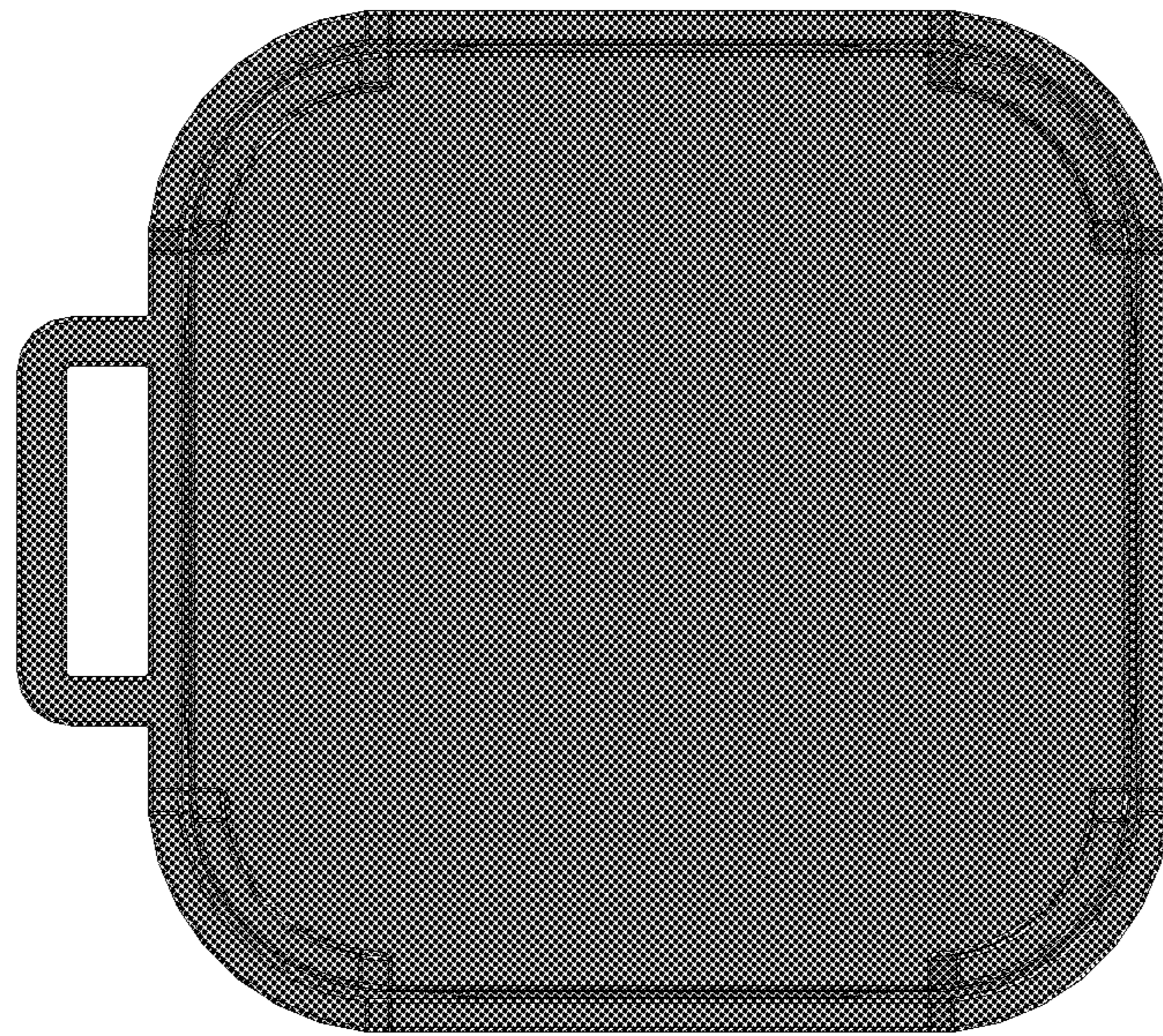
1.2



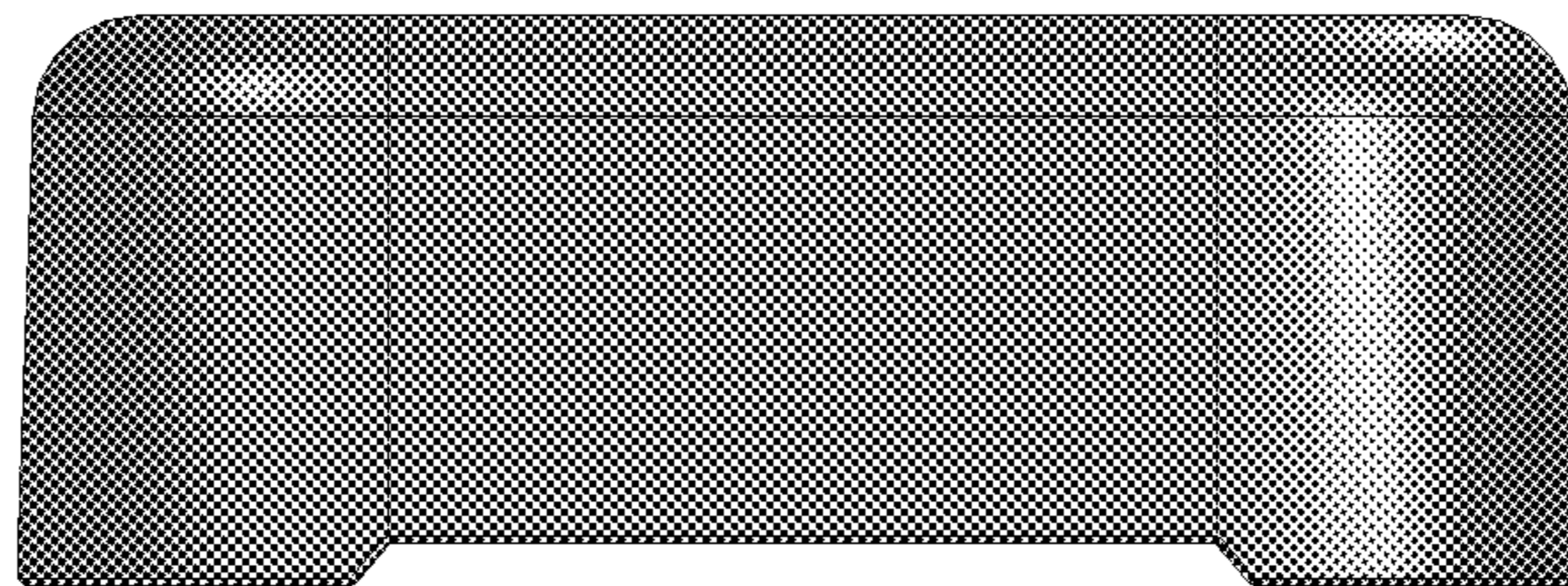
1.3



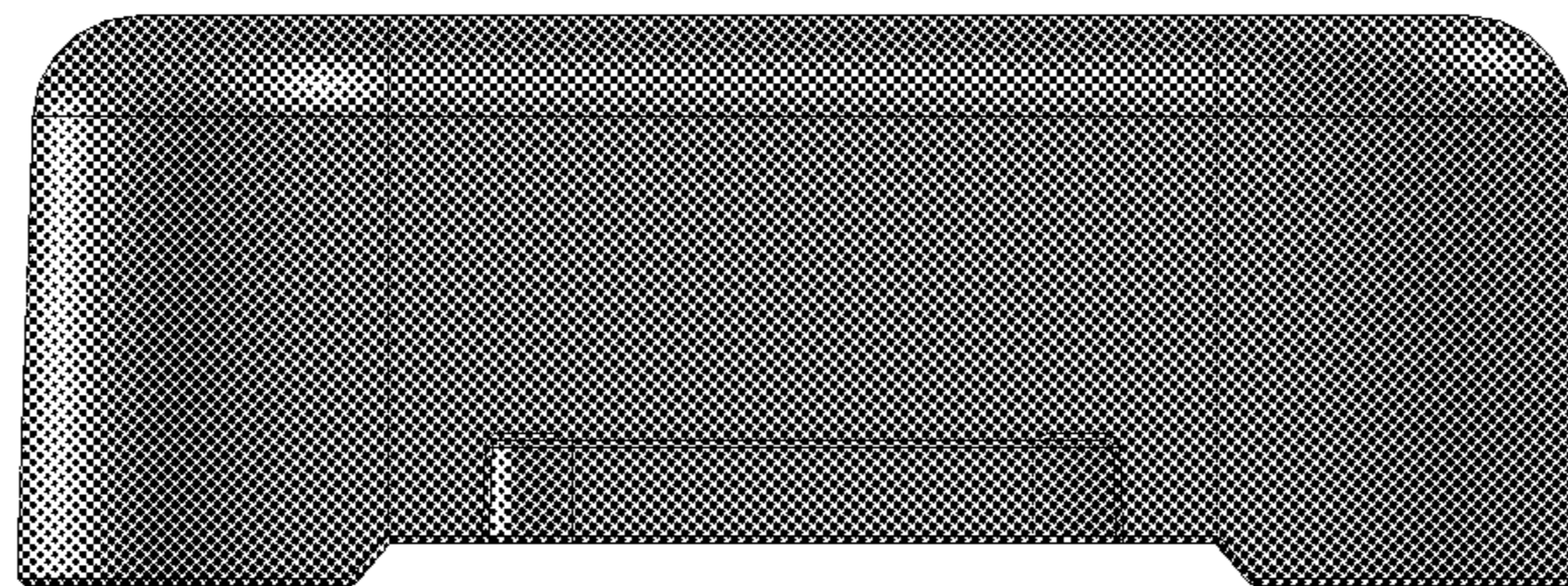
1.4



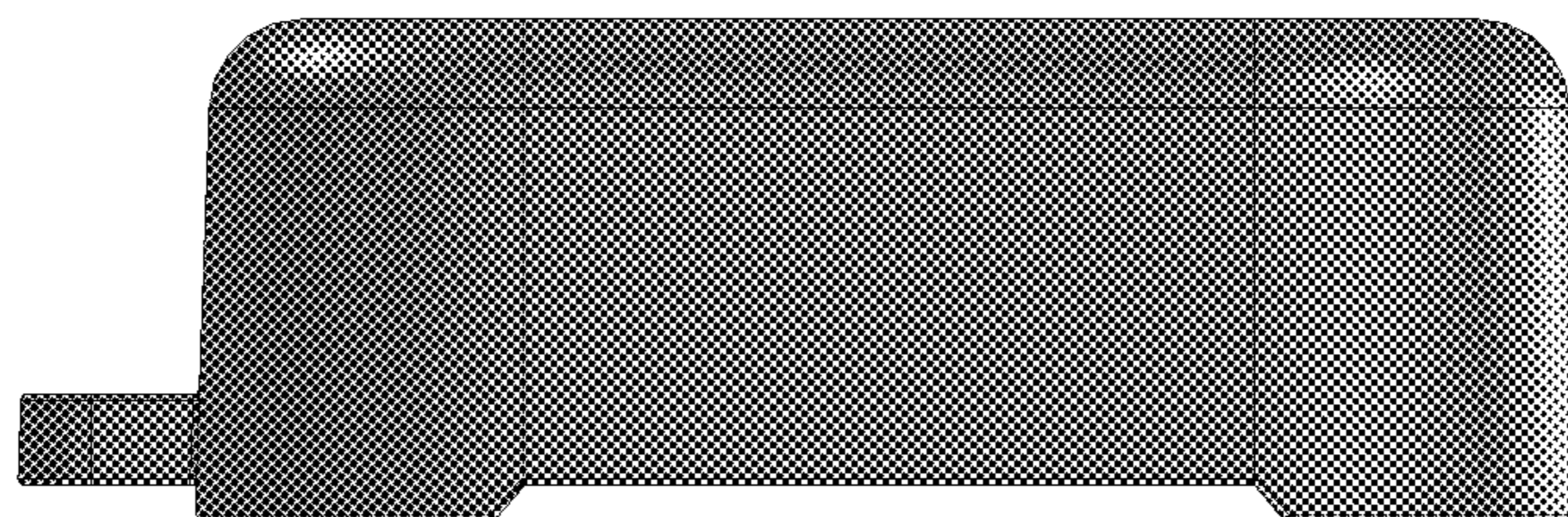
1.5



1.6

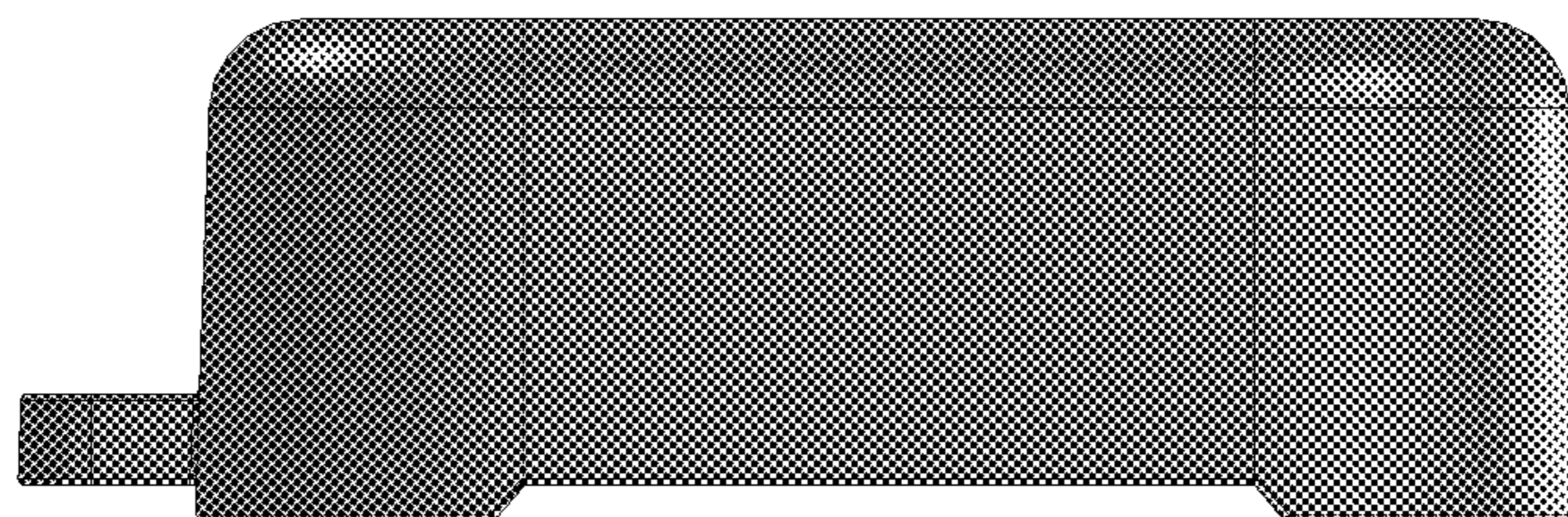


1.7

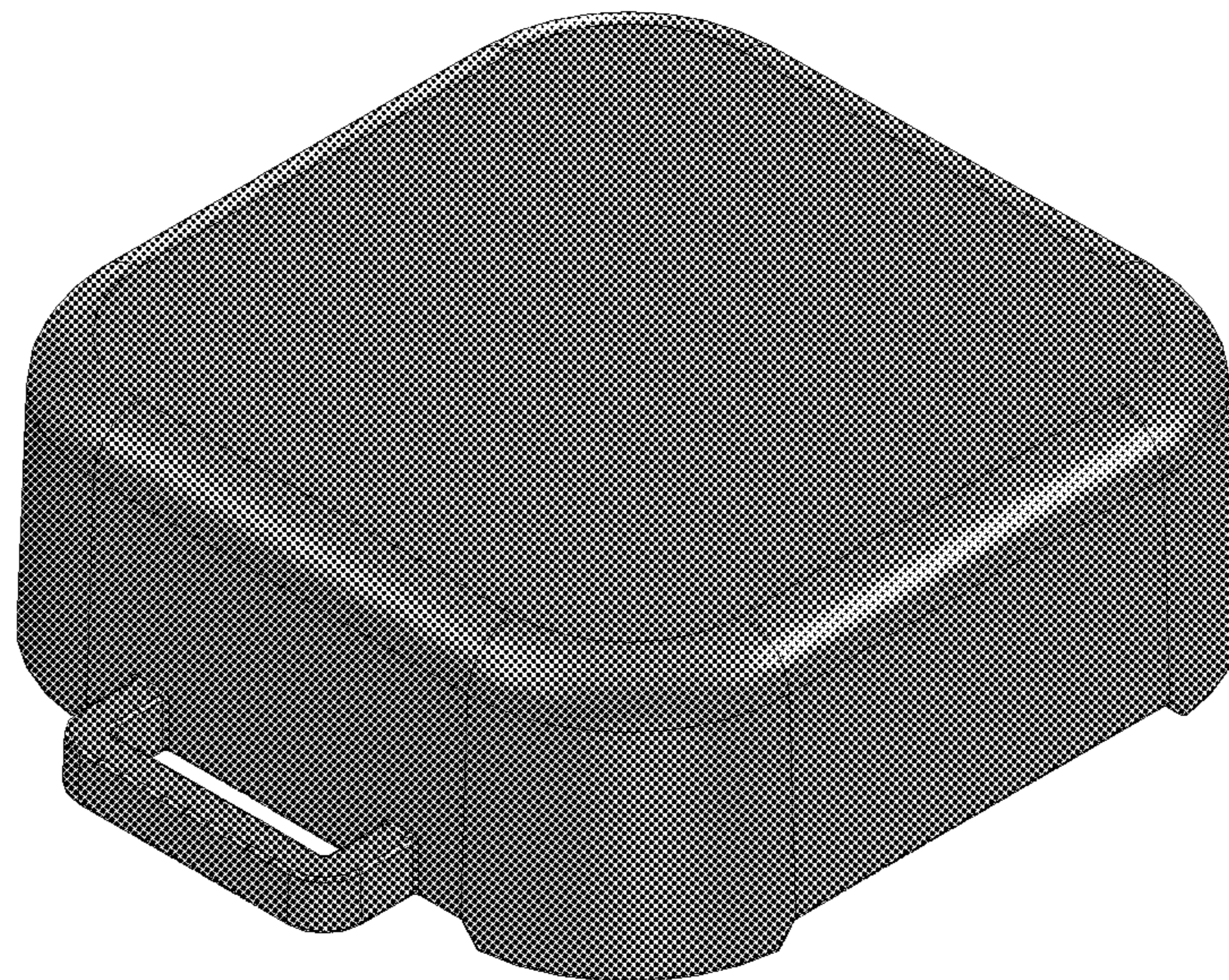




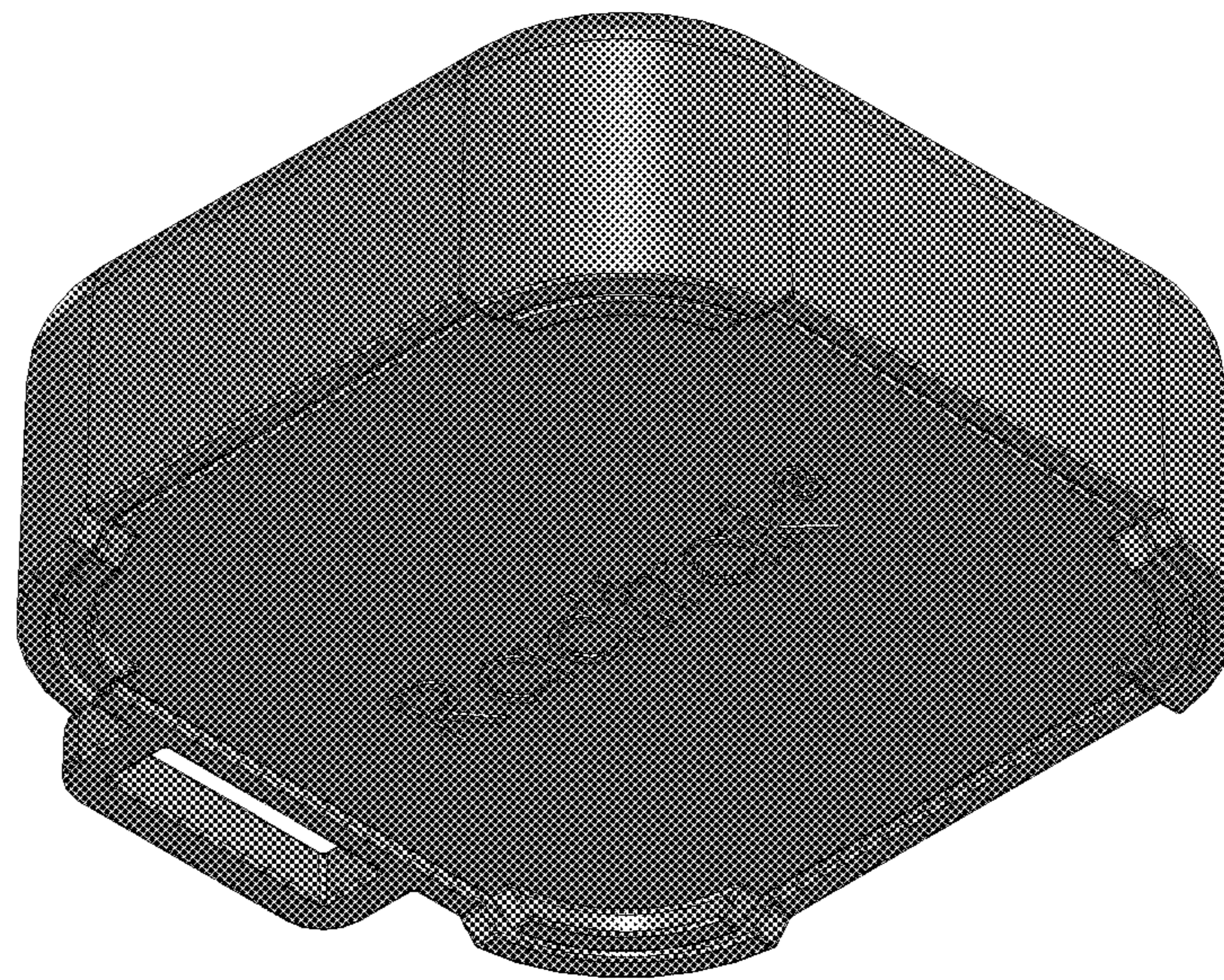
1.8



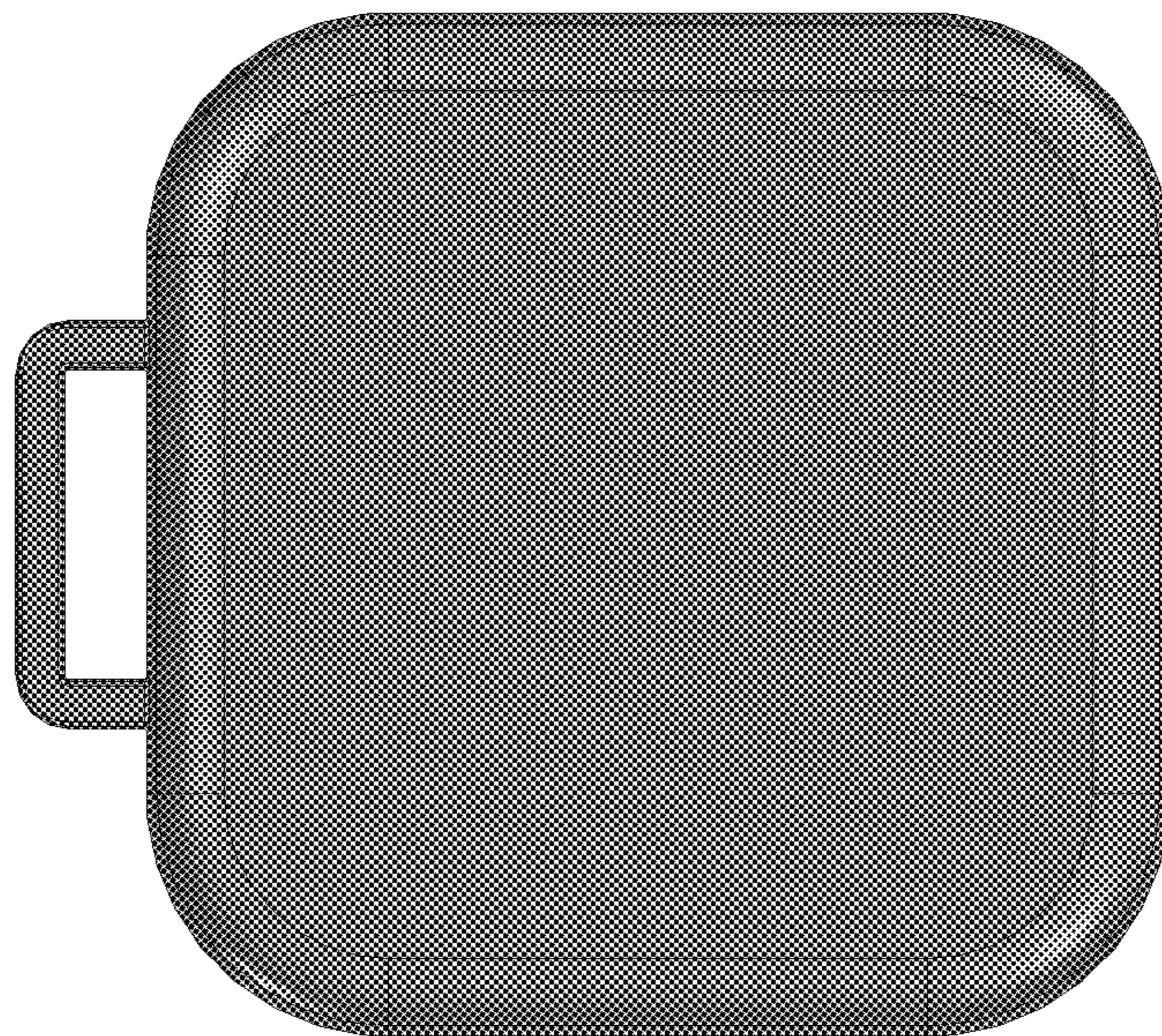
2.1



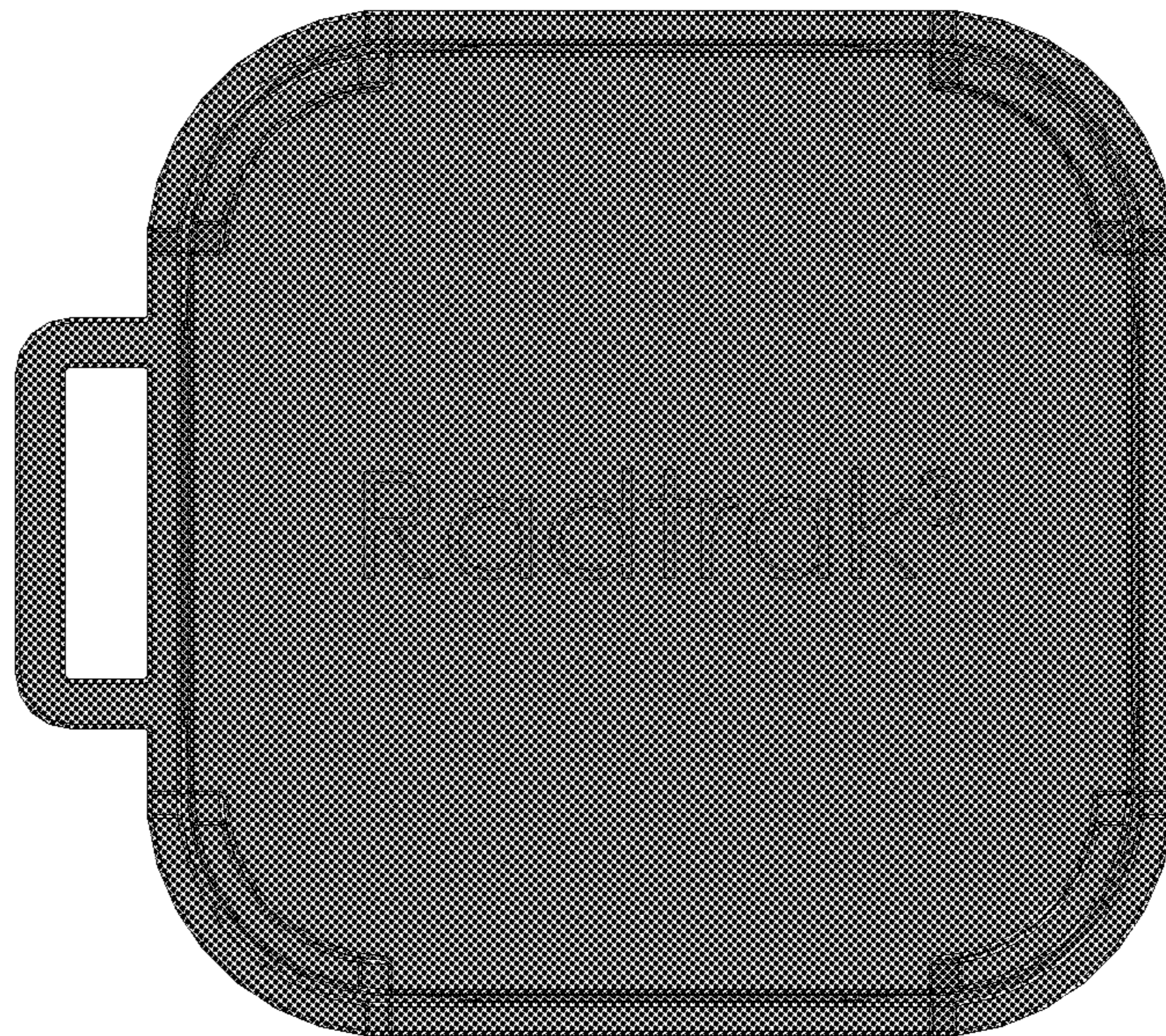
2.2



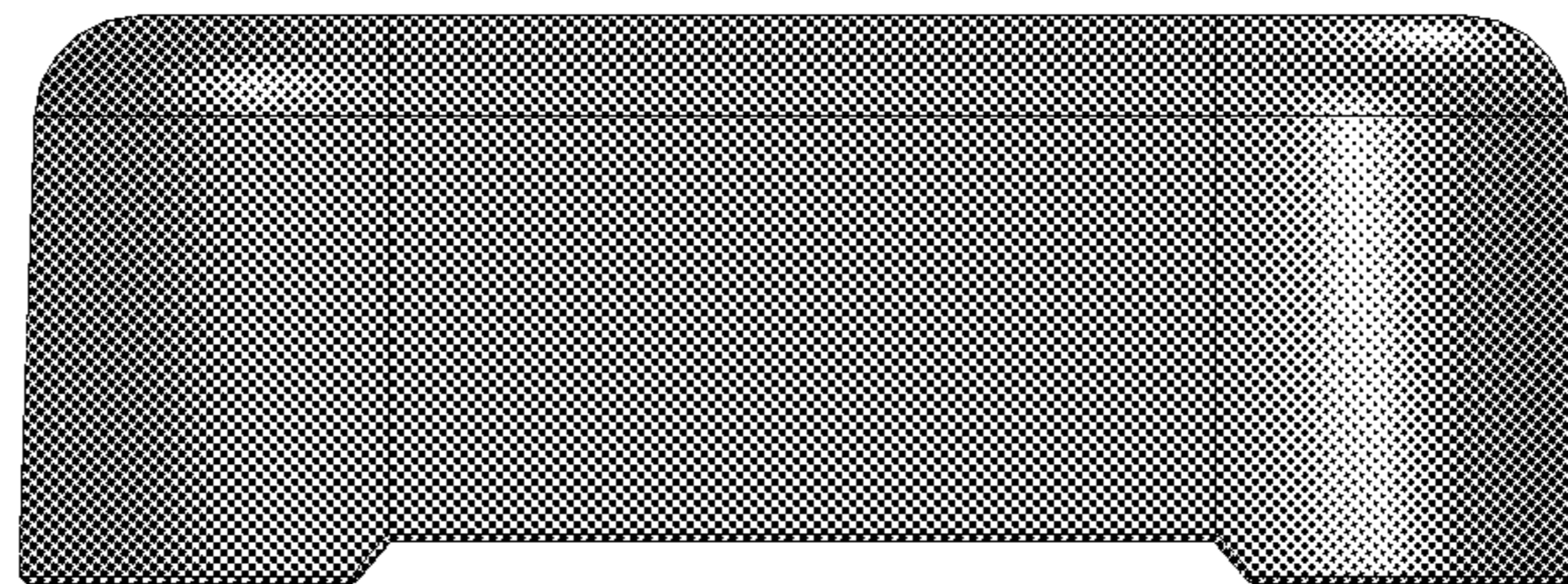
2.3



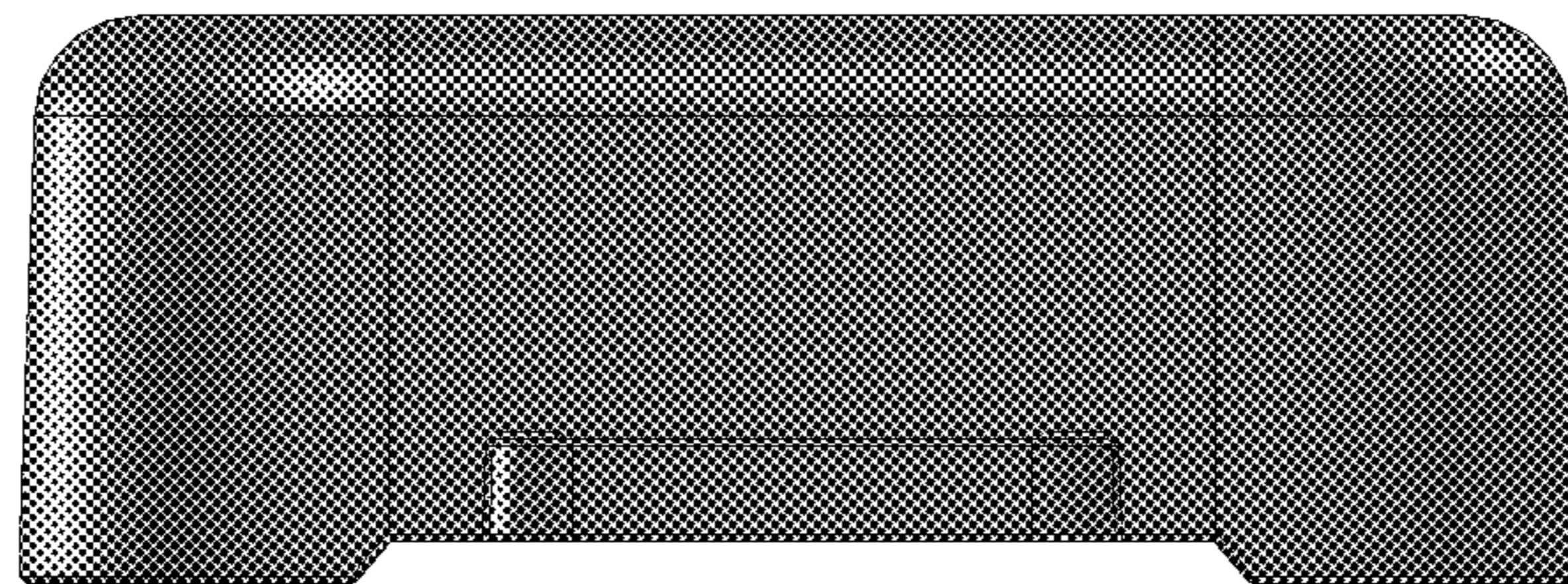
2.4



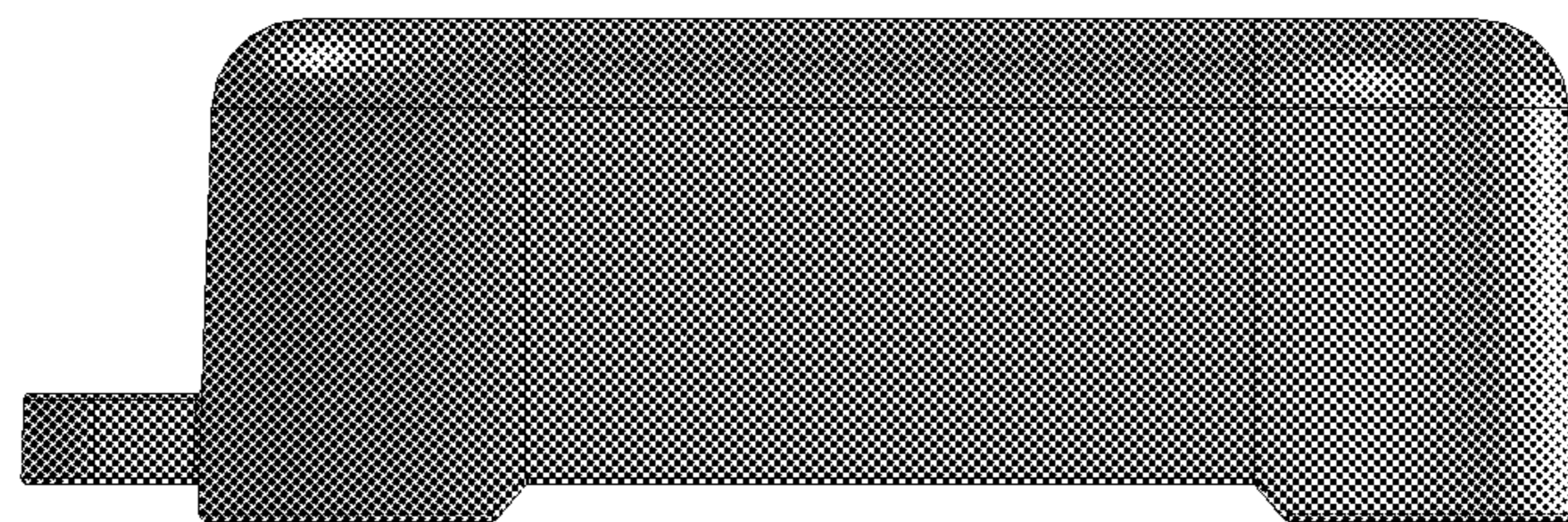
2.5



2.6



2.7





2.8

