



US00D971763S

(12) **United States Design Patent** (10) **Patent No.:** **US D971,763 S**
Ogawa et al. (45) **Date of Patent:** **** Dec. 6, 2022**

(54) **COUNTER**

(71) Applicant: **OMRON Corporation**, Kyoto (JP)
 (72) Inventors: **Tadahiko Ogawa**, Ritto (JP); **Takahiro Sato**, Uji (JP); **Yasutaka Fujimaru**, Takatsuki (JP)
 (73) Assignee: **OMRON Corporation**, Kyoto (JP)
 (**) Term: **15 Years**
 (21) Appl. No.: **29/773,151**

(22) Filed: **Mar. 8, 2021**

(30) **Foreign Application Priority Data**

Oct. 9, 2020 (JP) 2020-021693 D

(51) **LOC (13) Cl.** **10-04**

(52) **U.S. Cl.**
USPC **D10/80**; D10/103; D13/174

(58) **Field of Classification Search**
 USPC D10/40, 41, 75, 76, 80, 97, 103;
 D13/174, 175, 176; D15/138, 141, 142
 CPC H01H 23/00; H01H 23/003; H01H 23/006;
 H01H 23/02; H01H 23/025; H01H 23/04;
 H01H 23/06; H01H 23/065; H01H 23/08;
 H01H 23/10; H01H 23/12; H01H 23/14;
 H01H 23/141; H01H 23/143; H01H
 23/145; H01H 23/146; H01H 23/148;
 H01H 23/24; H01H 23/26; H01H 23/28;
 H01H 23/30; H01H 2223/00; H01H
 2223/01; H01H 2223/042; H01H
 2231/002; H01H 2231/006; H01H
 2231/016; H01H 9/16; H01H 13/02;
 H01H 13/83; G04F 10/00; G04F 10/005;
 G04F 10/02; G04F 10/04; G04F 10/16;
 G04G 99/006; G04G 17/00; G04G 17/08;
 G07C 5/10

See application file for complete search history.

(56) **References Cited**

U.S. PATENT DOCUMENTS

3,912,895	A *	10/1975	Plana	H01H 23/04 200/241
3,944,768	A *	3/1976	Aryamane	H01H 23/20 200/453
4,489,297	A *	12/1984	Haydon	H01H 36/0073 200/557
D308,963	S *	7/1990	Osika	G01D 5/02 D13/169
D334,896	S *	4/1993	Shimizu	D10/97
D348,408	S *	7/1994	Mazulis	D10/97
D416,871	S *	11/1999	Todd	D13/169
D499,703	S *	12/2004	Barone	H01H 1/5833 D13/174
D613,625	S *	4/2010	Schneor	D10/49
D658,138	S *	4/2012	Harada	D13/169
D689,910	S *	9/2013	Hanson	D15/28
D712,846	S *	9/2014	Creasman	H01H 23/145 D13/174

(Continued)

Primary Examiner — Antoine Duval Davis
 (74) *Attorney, Agent, or Firm* — Capitol City TechLaw

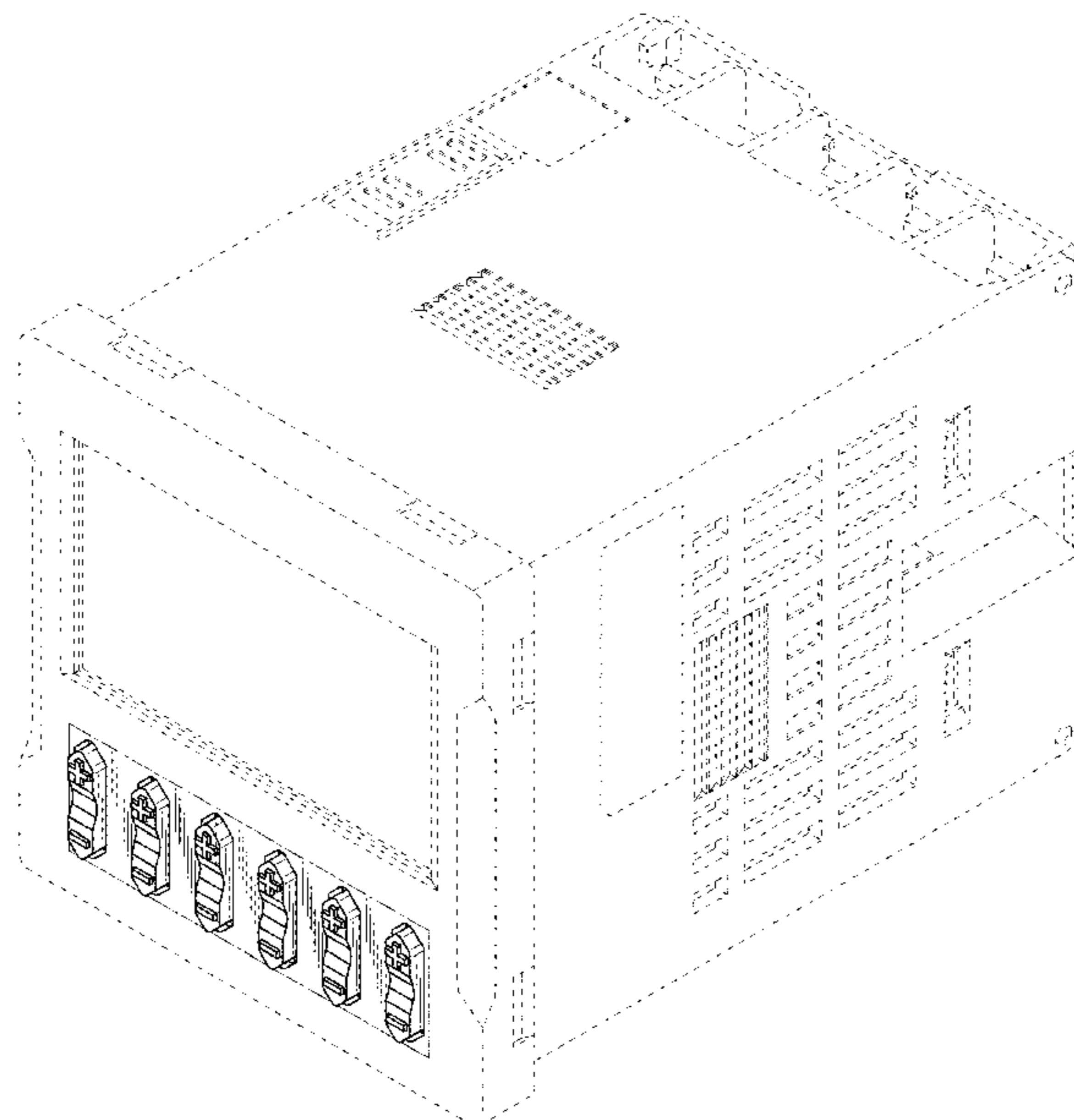
(57) **CLAIM**

The ornamental design for a counter, as shown and described.

DESCRIPTION

FIG. 1 is a front, top, and right side perspective view of a counter showing our new design;
 FIG. 2 is a front view thereof;
 FIG. 3 is a left side view thereof;
 FIG. 4 is a right side view thereof;
 FIG. 5 is a top view thereof; and,
 FIG. 6 is a bottom view thereof.
 The dashed broken lines in the figures show portions of the counter that form no part of the claimed design. The dot-dashed broken lines in the figures illustrate the bounds of the claim and form no part thereof.

1 Claim, 5 Drawing Sheets



(56)

References Cited

U.S. PATENT DOCUMENTS

D740,237 S * 10/2015 Inagaki D13/174
D773,071 S * 11/2016 Hakoda H01H 71/04
D10/97
D777,686 S * 1/2017 Huynh H01H 23/025
D13/169
D892,065 S * 8/2020 Dimberg G01D 5/02
D13/174
2004/0200714 A1 * 10/2004 Nishikawa H01H 1/5833
200/553
2008/0296136 A1 * 12/2008 Kelso H01H 23/145
200/330
2018/0130616 A1 * 5/2018 Fasano H01H 23/025
2019/0074153 A1 * 3/2019 Fasano H01H 71/04

* cited by examiner

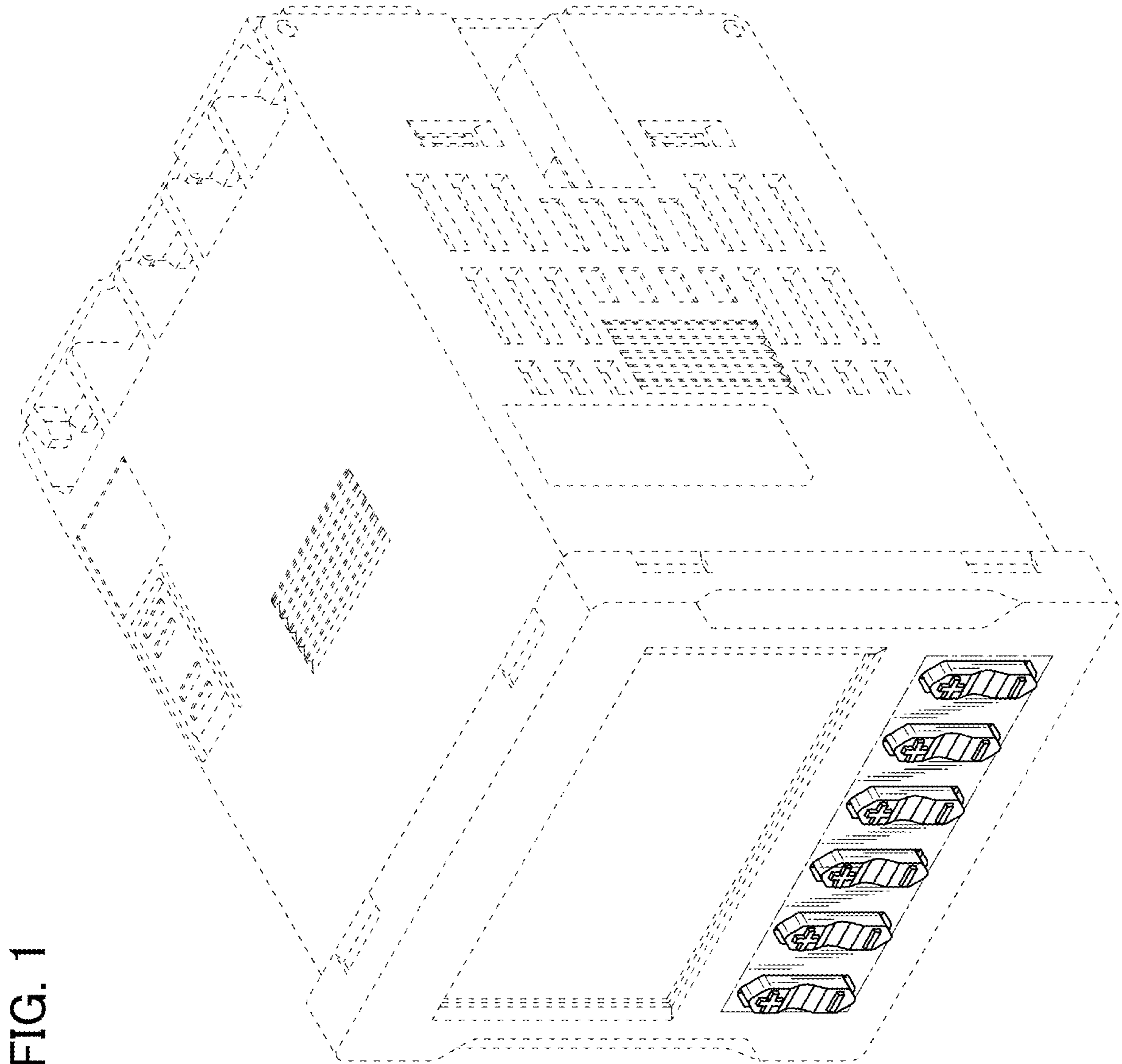


FIG. 1

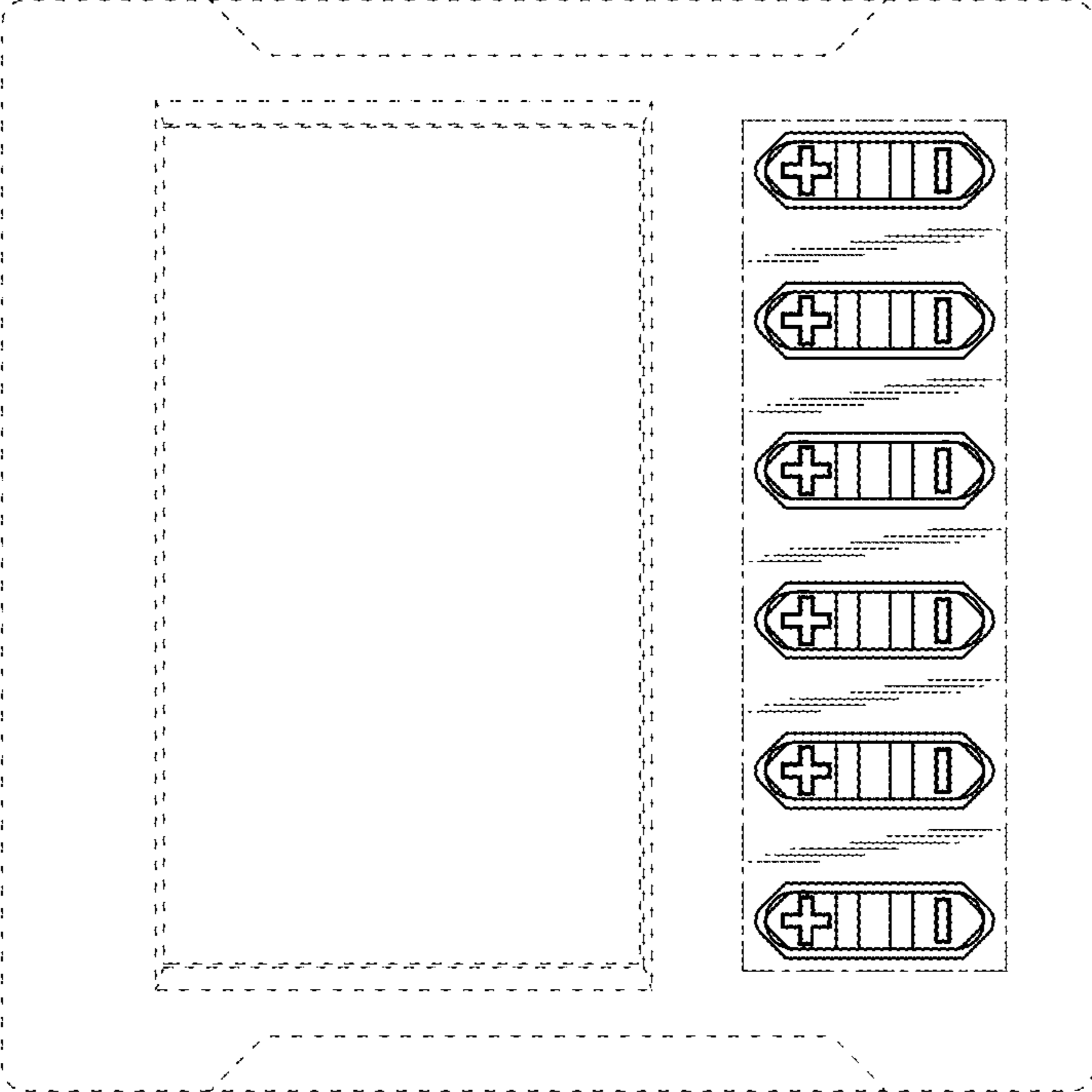


FIG. 2

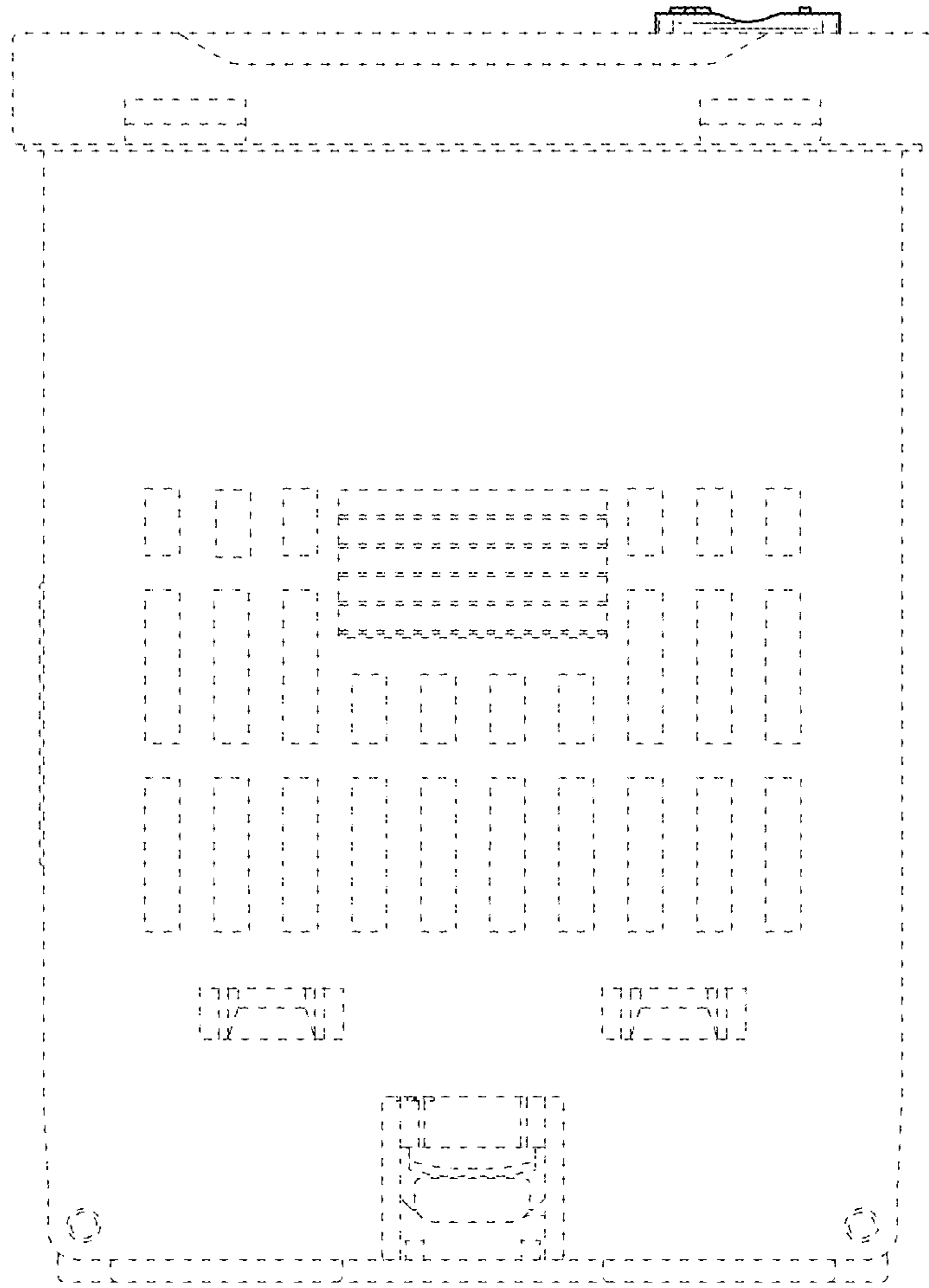


FIG. 3

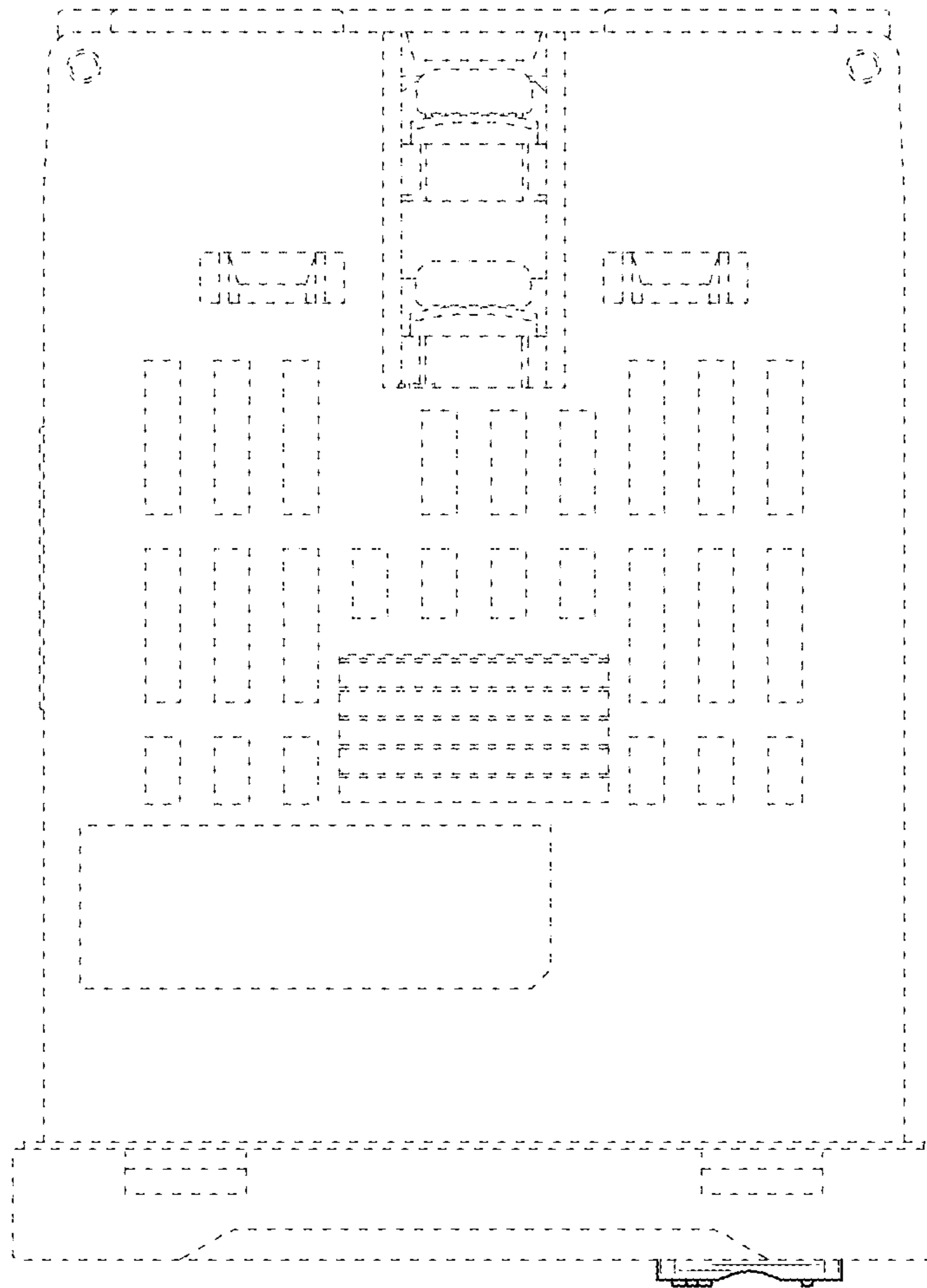


FIG. 4

FIG. 5

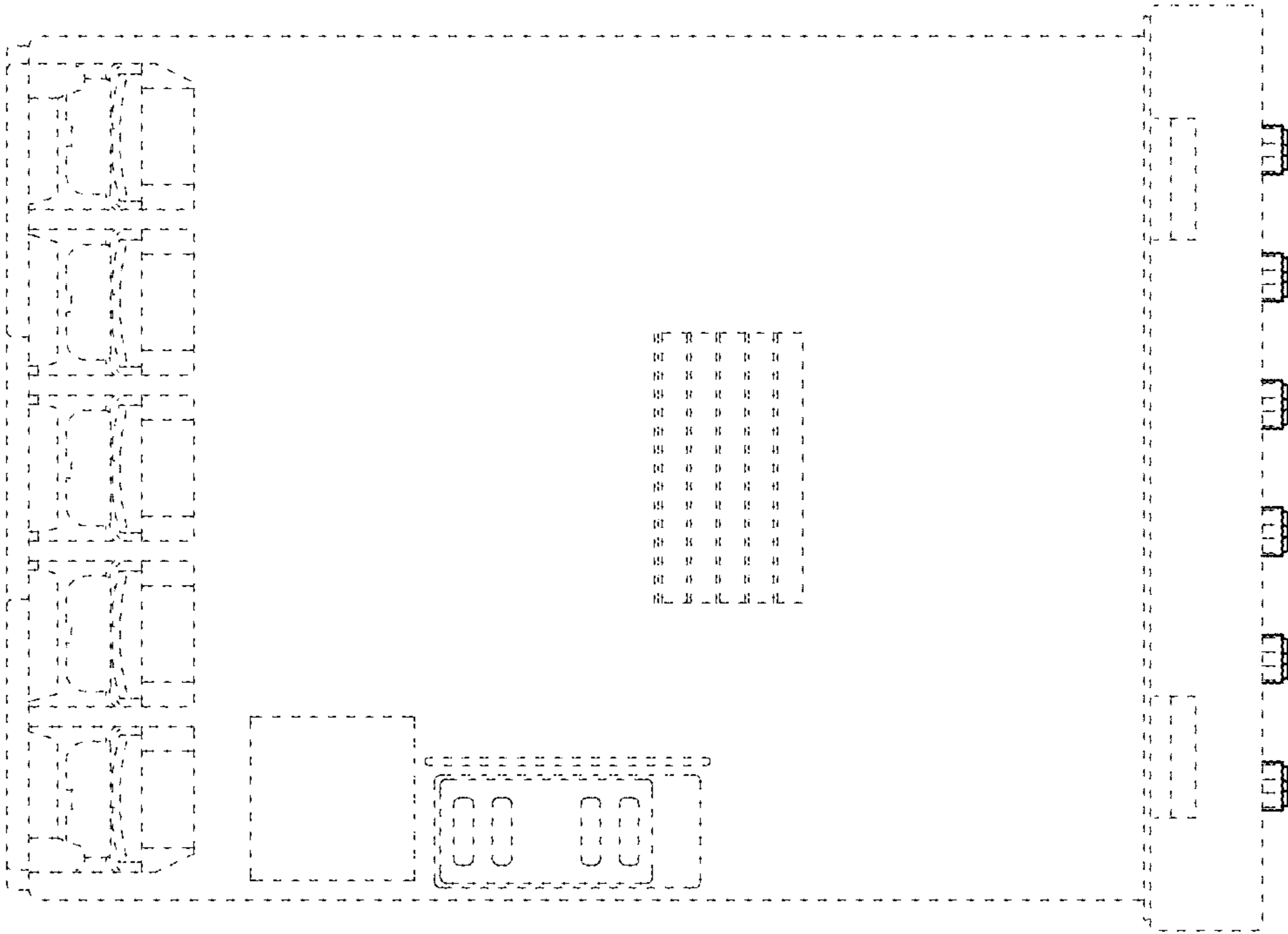


FIG. 6

